



Loewen

TIMBER CURTAIN WALL

Details, Sizing & Specifications

TIMBER CURTAIN WALL

Advanced European engineering meets modernized design with one of our most recent innovations.

Our Timber Curtain Wall system offers new design possibilities for the architectural community. These impressive contemporary vistas offer slim sight lines and large glass, all without sacrificing performance. The expansive views of our Timber Curtain Wall ultimately work to expand the home, let in more daylight, and enable customers to feel at one with nature.



STUNNING PANORAMIC VISTAS

Loewen has partnered with RAICO Bautechnik GmbH out of Germany to manufacture and distribute a timber curtain wall system specifically for the premium residential and light commercial markets. Our timber frame curtain wall combines the interior warmth of wood with steadfast performance and beautiful expansive views.

Loewen Timber Curtain wall is a superior system in terms of fit, finish and aesthetics. Designed for maximum flexibility in design, TCW allows for configurations of operating doors and windows, and can be designed for load bearing applications, if required.

Loewen timber curtain walls are aesthetically designed with glue-laminated timber beams. Laminations are used for strength and resistance to warping and twisting. All joints are clean and finished, due to hidden connectors, with zero blemishes and knot holes.



SPECIFICATIONS

FEATURES

Structurally engineered wood timbers are available in Coastal Douglas Fir as well as optional species, including Honduran Mahogany and White Oak

Thermally broken, engineered system with all-wood interior

In addition to aluminum cladding, exterior cladding is available in solid wood profiles or in copper and bronze

Pre-assembly at our facility (including fasteners and gaskets) ensures a smoother jobsite installation

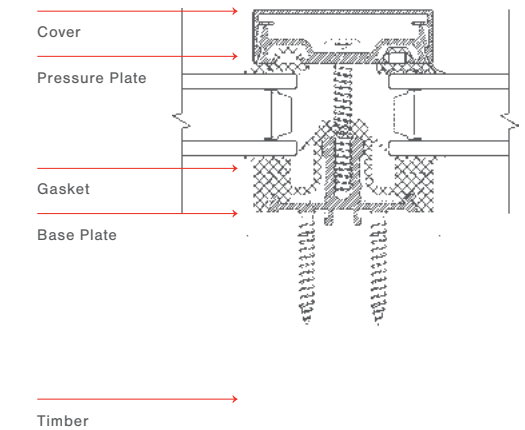
The water management system, designed to drain water vertically, eliminates unsightly drainage holes on horizontal faces

Configurations include vertical walls, rakeheads, corners and integrated operable units (Windows, Swinging and Sliding Doors)

Monolithic, dual, and triple-glazed options in a variety of Low-E coatings that align with other Loewen products



LaRue Architects | Foursquare Builders | Casey Dunn Photography



System Height	Up to 20' in a continuous, single span <i>(longer lengths up to 30' subject to review)</i>
System Width	Unlimited
Max Lite Area	Varies by glass specification <i>(lite thickness, annealed or tempered, etc.)</i>
Timber Depth	Varies based on wind load/structural criteria, typically 3" to 9"
System Thickness	2" (50 mm) exterior, 2-1/8" (54 mm) interior



Factory Assembled

Loewen Timber Curtain Walls are factory-assembled and hand-prepped for improved quality control and ease of installation.

Timber connectors, gaskets, and glass carriers are pre-applied rather than shipped in bulk. Units are predrilled, marked, and labeled before shipping.

Each timber curtain wall unit is shipped knocked-down to the site, ensuring accurate and easy field assembly and glazing. Pre-assembly at our facility means most of the on-site labor, including cutting, dry-fitting, and applying connectors is reduced or eliminated.



INSTALLATION

The Loewen Timber Curtain Wall system has gained popularity for its stunning appearance, but also for the intuitive way it comes together onsite. Installers across the US and Canada have given our curtain wall their stamp of approval.

1. When onsite, after inspecting the rough opening, the installation typically starts at one end of the timber curtain wall with the installation of the first vertical mullion. If there's a corner in the assembly, installation would start at the corner.
2. The transom is used to space out the next mullion. Once the second mullion is fastened, the transom can be installed permanently.
3. At this point, the factory-installed gaskets are permanently sealed.
4. The rest of the curtain wall assembly comes together in this same fashion.
5. Once the timbers are in, the sealed units are seated using temporary pressure plates.
6. Once a section is done, the full-length permanent pressure plates are installed. First the vertical plates, then the horizontal plates.
7. Finally, the vertical exterior covers are applied before the horizontal covers.



Information subject to change without notice.

Distributed by Loewen Inc. in the USA and C.P. Loewen Enterprises Ltd. in Canada and internationally. Trade Marks owned by C.P. Loewen Enterprises Ltd. Used under license.
© C.P. Loewen Enterprises Ltd. All rights reserved.

P3144A_0324



LOEWEN.COM