

2024—2025 Edition

Edge AI Computing Solutions





Features

- 8-core NVIDIA Arm® Cortex A78AE v8.2 64-bit CPU 2MB L2 + 4MB L3 / 12-core NVIDIA Arm® Cortex A78AE v8.2 64-bit CPU 3MB L2 + 6MB L3
- 1792-core NVIDIA Ampere GPU with 56 Tensor Cores / 2048-core NVIDIA Ampere GPU with 64 Tensor Cores
- 1x M.2 B-Key 3042/3052 (LTE/5G - USB3) w/ micro SIM holder: cellular function
- 1x M.2 E-Key 2230 (PCI-E/USB2): WIFI/BT/GPS function
- 1x M.2 M-Key (NVMe) 2280: storage
- 1x 16-Lane MIPI Expansion Connector
- Wide Power Input Range 9V~36V DC
- Supports Ubuntu 20.04 OS

Specifications

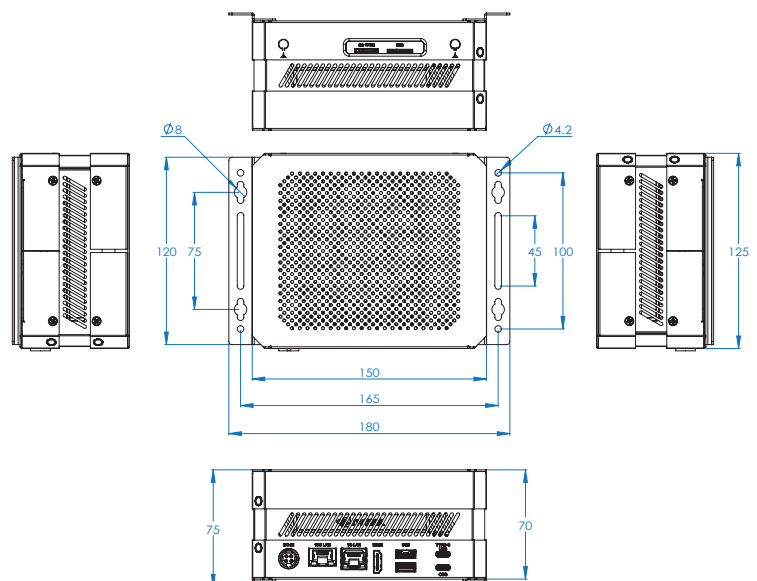
System Board	NVIDIA® Jetson AGX ORIN 32GB/64GB SOM + Carrier Board
Processor	8-core NVIDIA Arm® Cortex A78AE v8.2 64-bit CPU 2MB L2 + 4MB L3 / 12-core NVIDIA Arm® Cortex A78AE v8.2 64-bit CPU 3MB L2 + 6MB L3
System Memory	32/64 GB 256-bit LPDDR5 204.8 GB/s
Storage	64GB eMMC 5.1
Construction	SGCC
Color	Black
Display	HDMI 2.1 Type A
Network	1x RJ-45 GbE port 1x RJ-45 10GbE port
Watchdog	256 levels, 0~128 seconds
Front I/O	1x HDMI 2.1 connector 2x USB 3.2 Gen1 Type-A 1x USB 2.0 Type-C (OTG only) 1x USB 3.2 Type-C Gen 2 1x DC-in 9V~36V DC / 4-pin DC Jack Power Connector 1x RJ45 GbE for 1G 1x RJ45 GbE for 10G
Rear I/O	1x Power button 1x microSD slot 1x micro SIM holder 1x Recovery button 1x Reset button 2x Antenna holes
Side I/O	N/A
Expansion slots	1x M.2 B-Key 3042/3052 (LTE/5G - USB3) w/ micro sim holder: cellular function 1x M.2 E-Key 2230 (PCI-E/USB2): WIFI/BT/GPS function 1x M.2 M-Key (NVMe) 2280: 1x microSD slot
Fanless	Yes
Dimensions (WxDxH)	150mm (W) x 125mm (D) x 70mm (H)
Mounting	DIN rail, wall mount

Operating Temperature	-0 ~ 50 °C (32°F ~ 122°F)
Relative Humidity	0%~ 90% (non-condensing)
OS Support	Ubuntu 20.04
Certification	CE, FCC & LVD

Ordering Information

EC3500-64	NVIDIA Jetson AGX ORIN series ,64 GB 256-bit LPDDR5 204.8 GB/s, 64GB eMMC 5.1, HDMI 2.1, LAN 10GbE LAN, USB2.0/3.0,SIM/MicroSD,DC 12V~24V,Wif/BT/GPS/4G/5G(option)
EC3500	NVIDIA Jetson AGX ORIN series ,32 GB 256-bit LPDDR5 204.8 GB/s, 64GB eMMC 5.1 HDMI 2.1, LAN 10GbE LAN, USB2.0/3.0,SIM/MicroSD,DC 12V~24V,Wif/BT/GPS/4G/5G(option)

Dimensions



ASB210-953-AI

AI Accelerator Compatible Computer

Edge AI Computer with 11th Gen Intel® Core™ U-Series CPU & Hailo-8™ M.2 AI Acceleration Module



HAILO
Empowering Intelligence

Hailo-8™ M.2 AI Module



Features

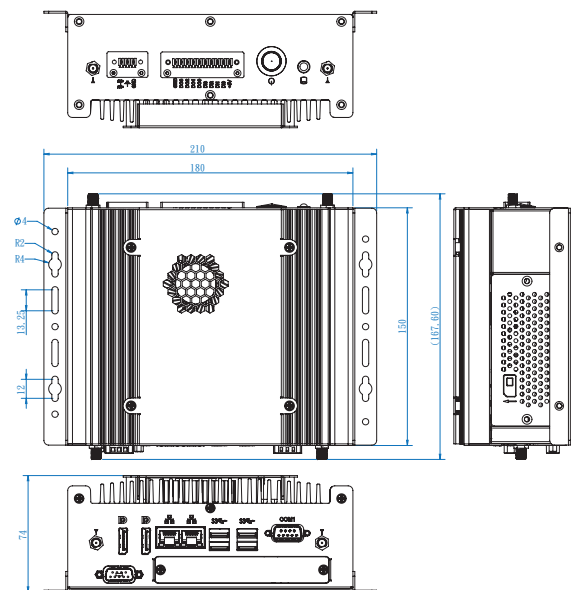
- With Hailo-8™ Accelerator Card module supporting up to 26 Tera-Operations Per Second (TOPS)
- System with IBASE IB953 3.5" Single Board Computer (TDP-up 28W)
- Onboard 11th Gen Intel® Core™ U-Series Processor
- Supports 2x M.2 sockets (B-Key/E-Key)
- 12V (-10%) ~ 24V (+10%) DC-in power input
- 2x DDR4-3200 SO-DIMM, Max. 64GB
- 3x USB 3.1, 1x USB 2.0, 2x Intel® GbE, 1x COM
- External GPIO, 2x DisplayPort, TPM (2.0)
- Optional VESA mount bracket

Specifications

System Mainboard	IB953AF-i7/ IB953AF-i5/ IB953EF-i3
CPU Type	Intel® Core™ i7-1185G7E Processor Intel® Core™ i5-1145G7E Processor Intel® Core™ i3-1115G4E Processor
System Speed	Up to 4.4GHz
Memory	2x DDR4-3200 SO-DIMM, Max. 64GB
Accelerator Card	Hailo-8™ Accelerator Card module, up to 26 TOPS
LAN	IB953AF series: Intel® I219LM Gigabit LAN PHY IB953EF series: Intel® I219V Gigabit LAN PHY Intel® I211AT PCI-E Gigabit LAN (as 2nd LAN)
Front Panel External I/O	3x USB 3.1 1x USB 2.0 2x DisplayPort 1x DB9 for COM#1 (RS232/422/485) 2x Gigabit LAN
Rear Panel External I/O	1x Power button 1x Digital I/O (4-in/4-out) 2x Antenna holes 1x HDD LED 1x 3-pin DC-in terminal block for 12V (-10%) ~ 24V (+10%)
Expansion Slots	2x M.2 sockets (B-Key/ E-Key) 1x M.2 M-key for Hailo-8™ Accelerator Card module
Storage	1x 2.5" HDD or SSD
Auto Control and Monitoring	Watchdog Timer 256 levels
Power Requirement	12V~24V DC-in
Power Supply	90W power adaptor
Construction	Aluminum & steel 1x System fan
Chassis Color	Black
Mounting	Desktop or wall mount (wall mount kit included) Optional VESA mount kit
Weight	1.5kg
Dimensions	180mm (W) x 150mm (D) x 72mm (H) 7.08" (W) x 5.9" (D) x 2.83" (H)
Others	NA
Operating Temperature	0°C~45°C (32°F~113°F) *with airflow 0.9m/s
Storage Temperature	-20°C ~80°C (-4°F~176°F)

Relative Humidity	5%~90%@45°C (non-condensing)
Vibration	Operating: 3Grms / 5~500Hz
Shock	Operating : 20G / 11ms Non-operating : 40G / 11ms
Certification	CE/LVD/FCC Class-B
Operating System	Linux (Ubuntu 18.04 / 20.04)

Dimensions and Drawing



SI-624-AI

AI Accelerator Compatible Computer

Edge AI Computer with 13th/12th Gen Intel® Core™ processors & NVIDIA Ampere Architecture MXM GPU cards



Features

- iSMART intelligent energy-saving & Observer remote monitoring technologies
- 13th/12th Gen Intel® Core™ i7/i5/i3 / Pentium® / Celeron® QC/DC processors
- 2x DDR4-3200 U-DIMM, Max. 64GB, ECC compatible
- NVIDIA Ampere Architecture MXM GPU cards (Type A/B, up to 115W)
- 4x DP++ output
- 1x M.2 B-Key (3052) for 5G or LTE options
- 1x M.2 E-Key (2230) & 2x M.2 M-Key (2280) for Wi-Fi, Bluetooth, capture or storage options
- Supports OOB function via I210 LAN port (optional)
- Supports TPM 2.0

Specifications

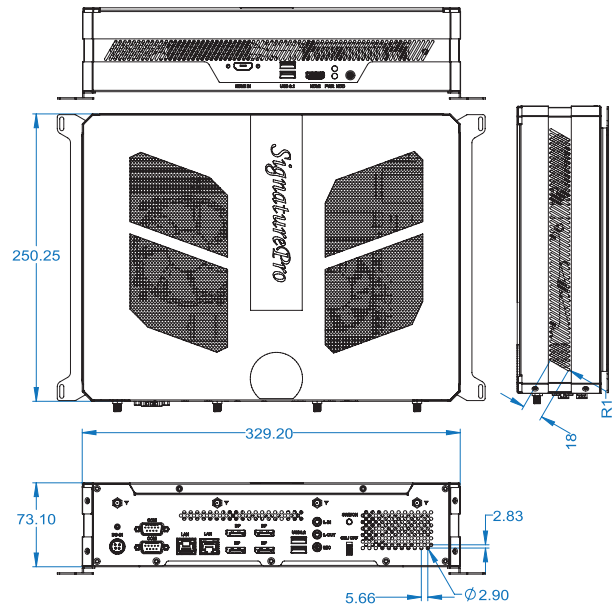
System Mainboard	MBD624
CPU Type	13th/12th Gen Intel® Core™ processors
System Speed	Up to Max. 5.0/3.8 Ghz
Memory	4x DDR4-3200 U-DIMM, Max. 128GB
Accelerator Card	NVIDIA Ampere Architecture MXM GPU card/ up to 5888 CUDA cores / 17.66 TFLOPS peak FP32 performance / 184 Tensor Cores
LAN	2x Gigabit LAN
Front Panel External I/O	1x HDMI 1.4 for console 1x HDMI-in for capture card (optional) 2x USB 3.2 1x Power / HDD LED 1x Power button
Rear Panel External I/O	4x DisplayPort 2x USB 3.2 2x RJ45 for Gigabit LAN 2x RS-232 serial port 1x Audio connector for Line-in/out/MIC 1x Power jack connector
Expansion Slot	1x M.2 (M-Key, type:2280, supports NVMe with PCI-E(x4) Gen.4 signal only) 1x M.2 (E-Key, type: 2230, 2x PCI-E(x1), USB 2.0; supports CNVj) 1x M.2 (B-Key, type:3052, supports 5G/4G/LTE) 1x UIM/SIM card slot
Storage	1x M.2 M-Key (2280)
Auto Control and Monitoring	Watchdog Timer: 256 segments, 0, 1, 2...255 (sec/min)
Power Requirement	+19V DC
Power Supply	270W power adaptor
Construction	SGCC
Chassis Color	Black and white
Mounting	Standard system bracket
Weight	3kg (6.6lbs)
Dimensions	329mm(W) x 25.3mm(D) x 73mm(H) 12.9"(W) x 0.99"(D) x 2.87"(H)
Others	NA
Operating Temperature	0°C ~ 45°C (32°F ~ 113°F)

Storage Temperature	-20°C ~ 80°C (-4°F ~ 176°F)
Relative Humidity	5%~90% @45°C (non-condensing)
Vibration	SSD: 5 grms / 5~500Hz / random operation
Shock	Operating : 20G / 11ms Non-operating : 40G / 11ms
Certification	CE, FCC class-B, UL & CCC
Operating System	Windows10 / Linux

Ordering Information

SI-624-AI	Edge AI Computer with MBD624 with 13th/12th Gen Intel® Core™ processors, 1x Nvidia MXM GPU card, M.2 128GB, 2x 8GB DDR4-3200 U-DIMM and 270W power adaptor
-----------	--

Dimensions and Drawing





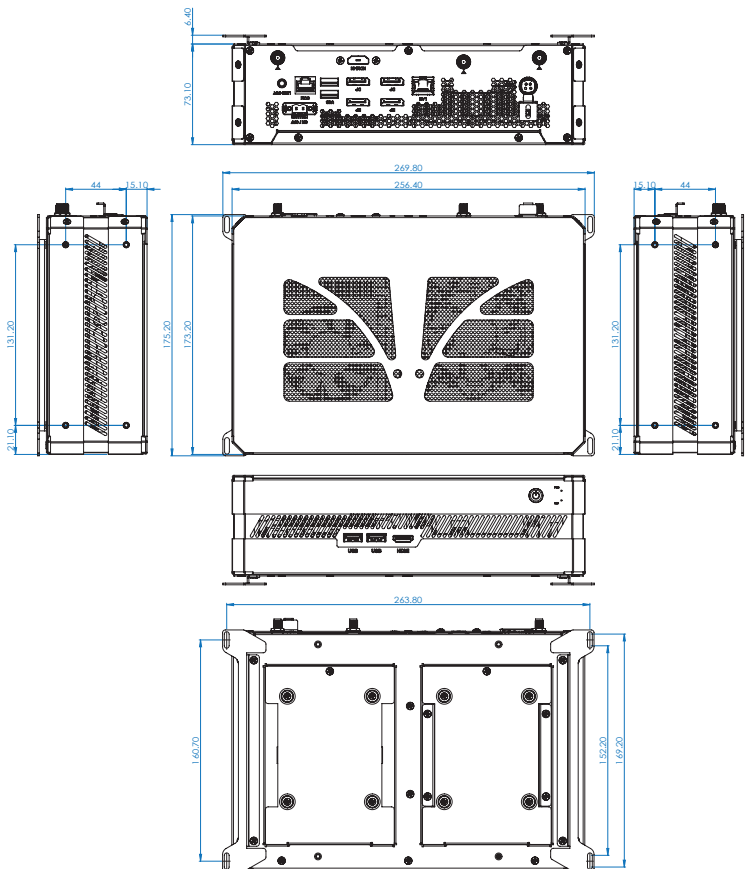
Features

- iSMART - for auto-scheduling and power resume
- 7th Gen Intel® Core™ i7/i5/i3/ Processors
- NVIDIA Ampere Architecture MXM GPU cards (Type A/B, up to 115W)
- 2x DDR4 2133 SO-DIMM, dual channel, Max. 32GB
- 1x HDMI 1.4 for console, 4x DP 1.3 output
- 1x Mini PCI-E (full-size) for Wi-Fi, Bluetooth, 4G LTE or capture card options
- 1x M.2 B key (3042) for storage or 4G LTE options
- 2x 2.5" SATA III SSD device
- Compact and rugged design

Ordering Information

SI-614-AI	Industrial AI Computer with MBD614 with Intel® Core™ i5-7500 processor (8M Cache, up to 3.4 GHz), 1x MXM NV1050 4GB 128bit/GDDR5 GPU card, 2x 8GB DDR4 memory, 2.5" SSD 128GB & 270W PSU.
-----------	---

Dimensions and Drawing



Specifications

System Mainboard	MBD614
CPU Type	7th Generation Intel® Core™ Desktop processor
System Speed	Up to 4.2 GHz
Memory	2x DDR4 2133 SO-DIMM, Dual Channel, Max. 32GB
Accelerator Card	NVIDIA Ampere Architecture MXM GPU card/ up to 5888 CUDA cores / 17.66 TFLOPS peak FP32 performance / 184 Tensor Cores
LAN	1x Intel® I219V Gigabit LAN controller
Front Panel External I/O	1x HDMI 1.4 for console 2x USB 3.0 1x power button, Power / HDD LED
Rear Panel External I/O	1x RJ45 for Gigabit LAN 1x RJ45 for RS-232 serial port 4x DP 2x USB 3.0 1x Audio connectors for Line out 1x Power jack connector 1x 2-Pin Terminal block for external power button 2x Antenna Hole
Expansion Slot	1x Mini PCI-E (full-size) for Wi-Fi, Bluetooth, 4G LTE or Capture card options 1x M.2 B key(3042) for storage or 4G LTE options 2x 2.5" SATA III SSD for storage 1x SIM card slot
Storage	1x M.2 M-Key (2280)
Auto Control and Monitoring	Watchdog Timer: 256 segments, 0, 1, 2...255 (sec/min)
Power Requirement	+19V DC
Power Supply	270W power adaptor
Construction	SGCC
Chassis Color	Black and white
Mounting	Standard system bracket
Weight	3kg (6.6lbs)
Dimensions	256mm(W) x 173mm(D) x 73mm(H) 10.07"(W) x 6.81"(D) x 2.87"(H)
Others	NA
Operating Temperature	0°C ~ 45°C (32°F ~ 113°F)
Storage Temperature	-20°C ~ 80°C (-4°F ~ 176°F)
Relative Humidity	5% ~ 90% @45°C (non-condensing)
Vibration	SSD: 5 grms / 5~500Hz / random operation
Shock	Operating : 20G / 11ms Non-operating : 40G / 11ms
Certification	CE, FCC class B, UL & CCC
Operating System	Windows10 / Linux

HEADQUARTERS

IBASE Technology Inc.
Bldg. F, 15F-1, No. 3, Yuan Qu Street,
Nangang, Taipei 11503, Taiwan, R.O.C.

廣積科技股份有限公司
台北市115南港區園區街3號15樓之一 F棟
Tel: +886-2-2655-7588
Fax: +886-2-2655-7388
sales@ibase.com.tw
www.ibase.com.tw



DOWNLOAD

AI COMPUTING SOLUTIONS



WORLDWIDE OFFICES

European Headquarters

IBASE Europe (TMC Technology)
12 Wedgwood Court Stevenage,
Herts, SG1 4QR, United Kingdom
Tel: +44-1438-846090
Fax: +44-1438-842308
sales@ibase-europe.com
www.ibase-europe.com

Italy

IBASE Italy S.r.l.
Via Sant Antonio 1/A
28845 Domodossola, Verbania, Italy
Tel: +39-0324-47501
Fax: +39-0324-47501
italy@ibase-europe.com
www.ibase-europe.com

USA

IBASE Technology (USA), Inc.
1050 Stewart Drive, Sunnyvale,
CA 94085, U.S.A.
Tel: +1-408-992-0888
Fax: +1-408-992-0808
sales@ibase-usa.com
www.ibase-usa.com

Singapore

IBASE Singapore Pte Ltd.
10, Ubi Crescent #07-60,
Ubi Techpark (Lobby D),
Singapore 408564
Tel: +65-6842-5112
Fax: +65-6842-5113
sales@ibase-singapore.com
www.ibase-singapore.com

China

IBASE (Shanghai) Technology Inc.
2F, Building 3, No. 2005, HongMei
Road, 201103 Shanghai, China
上海广佳信息技术有限公司
中国上海市虹梅路2005号3号楼2层
邮编: 201103
Tel: +86-021-6090-5088
Fax: +86-021-6090-6388
sales@ibase-china.com
www.ibase-china.com

China

IBASE (Shanghai) Technology Inc.
Beijing Office
Room 1622, GuoFengMeiTang
Building 5, No. 106, KeXing West Road,
Changping District, 100029 Beijing, China
上海广佳信息技术有限公司-北京办事处
中国北京市昌平区回龙观科星西路106号
国风美唐5号商务楼1622室
邮编: 100029
Tel: +86-133-113-80499
sales@ibase-china.com
www.ibase-china.com

Japan

IBASE Japan Corp.
3F Bansei Muromachi Bldg., 4-3-12
Nihonbashi Muromachi, Chu-O ku,
Tokyo, Japan
IBASE ジャパン株式会社
東京都中央区日本橋室町4-3-12
バンセイ室町ビル3F
Tel: +81-3-6262-1303
Fax: +81-3-6262-6106
sales@ibase-japan.com
www.ibase-japan.com

India

IBASE India
sales@ibase-india.com
www.ibase-india.com