

Feras Qartoumy | Global Time Attack Unlimited
24 Time Career Record Holder



Turbochargers | Intercoolers | Wastegates | Accessories

PERFORMANCE CATALOGUE VOL 9

TABLE OF CONTENTS

- 04** WHY CHOOSE GARRETT
 - 07** HOW TO READ A COMPRESSOR MAP
 - 10** G SERIES
 - 32** GTX GEN II
 - 52** GARRETT BOOST | CLUB LINE
 - 58** GTW SERIES
 - 64** GT SERIES
 - 76** GARRETT VENT | WASTEGATES
 - 80** ACCESSORIES | SPEED SENSORS | BOOST GAUGES | ACTUATORS
 - 82** POWERMAX | VEHICLE SPECIFIC TURBOCHARGERS & INTERCOOLERS
 - 103** PERFORMANCE INTERCOOLER CORES
 - 105** ANCILLARY COMPONENTS
 - 106** TURBINE FLANGE DIAGRAMS
 - 108** TURBO INDEX
 - 114** TROUBLESHOOTING GUIDE
-

OUR HISTORY

The heritage of our turbo business began in 1936 when young Cliff Garrett formed his company in a tiny, one-room office in Los Angeles. Cliff founded the company that would later become the Garrett Corporation. Number of employees, 1. Number of customers, 1. In the 1950s, it successfully added boosting a Caterpillar C9 tractor signaling the birth of automotive turbocharging.

With over sixty-five years of boosted experience, Garrett technology has been utilized by nearly every major global auto maker, resulting in approximately 100 million vehicles with our products and an average launch rate of 100 new applications annually spanning from gas, to diesel, fuel cell, and racing and performance applications.

From the world's first turbocharged production car - the Oldsmobile Jetfire Rocket - to the first Garrett turbocharged car to win the Indianapolis 500, Garrett's industry-leading technology and patented designs are used daily for both OE and aftermarket vehicle applications.

Today, our Garrett legacy in the automotive industry helps create some of the most innovative and high-performing turbochargers in the world that can enable a four cylinder turbocharged engine to perform like a non-turbocharged V6 engine while providing 20-40% greater fuel efficiency. Garrett's global engineering network continues to inspire technological innovation around the world.

The products contained in this catalog are performance aftermarket parts that are not legal for street use in certain states or countries, unless a type-approval/executive order has been obtained e.g. by the distributor of the product. Check with your distributor before using in any vehicle on a public road or highway. You should check with your state or applicable country authorities to find out whether these products are legal for street use in your state or country. Applicable laws may also prohibit tampering with parts or vehicle design elements affecting emissions on vehicles intended for use on public roads. You are responsible for ensuring that the use of this product complies with all applicable laws, regulations and ordinances (including, but not limited to, emission, noise, safety, and type-approval/executive order). Any vehicle modifications using the products in this catalog are completed AT YOUR OWN RESPONSIBILITY and AT YOUR OWN RISK. A vehicle modification using these performance aftermarket products may affect or void a vehicle's warranty, operating license/registration or type-approval/executive order. You should consult your local laws, as well as the owner's manual and service manual of your vehicle. You should also contact your vehicle's manufacturer to determine what effect modifications may have on safety, warranty, performance, and other aspects of your vehicle. These products generally may be used on racing vehicles that will never be driven on public roads or highways.



Garrett
ADVANCING MOTION

WHY CHOOSE GARRETT TURBOCHARGERS

A turbo is a high technology product that requires superior design and intensive capital to produce. It must meet severe requirements that only a world class manufacturer can achieve.

Garrett is one of the few turbocharger manufacturers that subjects our turbos to several OE qualification tests. These tests ensure Garrett produces a safe and reliable turbo for OE applications. When you buy a Garrett turbocharger you can be sure it is reliable.

On-Engine Durability - More than 1,000-hours of general turbocharger durability, is run on-engine in one of Garrett's engineering laboratories.

Gas Stand Cyclic Durability - A several hundred hour durability test is conducted on a gas stand where the turbo is run past its normal operating limits.

Compressor & Turbine Housing Containment - A compressor/turbine wheel is weakened to hub burst at a specific speed. No portion of the wheel is allowed to penetrate a containment shroud surrounding the turbocharger. A test to ensure safety. See full article at www.GarrettMotion.com

Shaft Motion - The maximum tolerances of the bearing system are tested for rotordynamic stability beyond the maximum turbocharger operating speed. This means no bearing problems and a long turbo life.

Thrust Bearing Capacity - A test that stresses the thrust bearing at extreme conditions. This test makes sure your Garrett turbocharger can tolerate the load you put it through.

Compressor & Turbine Seal - Multiple turbochargers are run on-engine under conditions designed to cause seal leakage. No significant leakage is allowed during these tests.

Heat Soak Back - A turbocharger instrumented with thermocouples is taken beyond maximum operating temperature and shut down hard! Repeat the test four more times and make sure maximum temperatures stay within our strict limits to avoid oil coking or build up inside the center housing. This is particularly critical for high temperature gasoline applications.

Compressor & Turbine Performance - The entire operating range of both the compressor and turbine are mapped on one of Garrett's performance gas stands. These test cells are calibrated to strict standards to assure accuracy and consistency.

Compressor & Turbine Blade Frequencies - Garrett has strict requirements for compressor and turbine blade natural frequency. This is critical on large trims where the blade must be stiff enough to withstand potentially damaging vibrations.

Thermal Cycle - A several hundred hour endurance test that cycles the turbocharger from low temperature to glowing red every 10 minutes. To ensure a long turbo life, no cracking of the turbine housing or distortion of the heat shroud are allowed.

Rotor Inertia - A measurement made to document the rotational inertia of Garrett's compressor and turbine wheels. Garrett's turbochargers are known for their high flow / low inertia characteristics.

Shaft Critical Speed - An analytical test that ensures that destructive shaft critical speeds are well out of the turbocharger operating range. For example, large wheels may require a large shaft diameter to avoid the shaft bending critical speed.

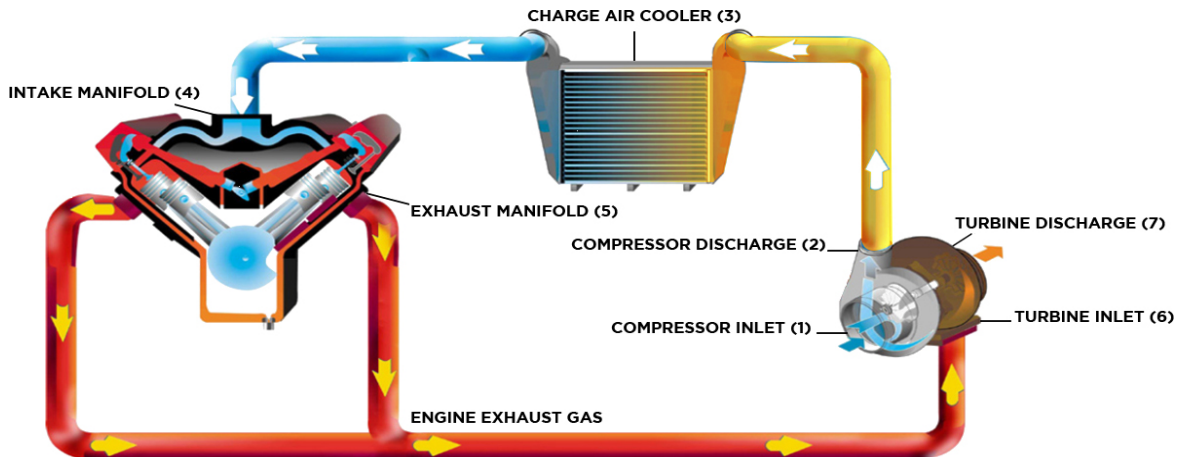
Wheel Fatigue - Garrett will only sell compressor or turbine wheels that have passed a cyclic fatigue test. Garrett runs tests on a regular basis to ensure quality and to constantly improve our products.

Turbo Vibration - The entire turbocharger is vibrated and monitored on Garrett's large shaker table to ensure product durability.

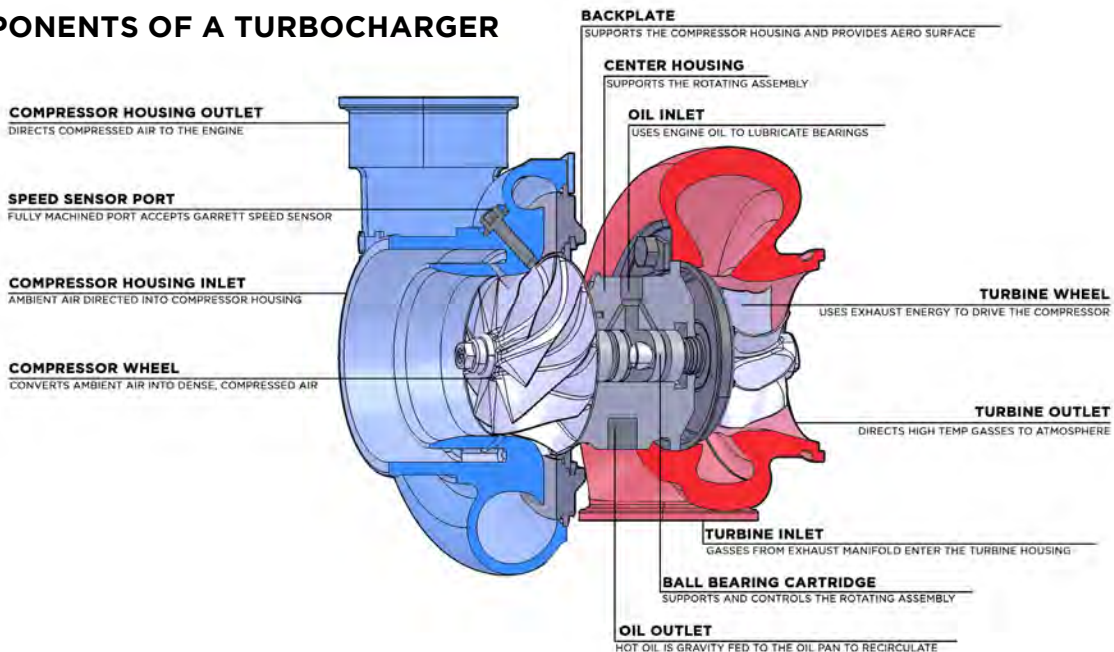
Engine power is proportional to the amount of air and fuel that can get into the cylinders. All things being equal, larger engines flow more air and as such will produce more power. If we want our small engine to perform like a large engine, or simply make our larger engine produce more power, our ultimate objective is to deliver more air into the cylinder. By installing a Garrett turbocharger, the power and performance of an engine can be dramatically increased.

HOW DOES A TURBOCHARGER DELIVER MORE AIR INTO THE ENGINE?

- (1) **Compressor Inlet:** Opening through which ambient air passes before entering the compressor.
- (2) **Compressor Discharge:** Ambient air is then compressed which raises the air’s density (mass/unit volume).
- (3) **Charge Air Cooler (aka Intercooler):** cools the compressed air to increase its density and to increase resistance to detonation.
- (4) **Intake Manifold:** Directs dense air into the engine’s cylinders. Each cylinder draws in an increased mass flow rate of air. Higher air mass flow rate allows a higher fuel flow rate (with similar air/fuel ratio). Combusting more fuel results in more power for a given displacement.
- (5) **Exhaust Manifold:** Directs burned fuel and exhaust gases from the cylinders towards the turbine.
- (6) **Turbine Inlet:** Directs high temperature exhaust gas towards the turbine wheel. The turbine creates back pressure on the engine which means engine exhaust pressure is higher than atmospheric pressure.
- (7) **Turbine Discharge:** A pressure and temperature drop occurs (expansion) across the turbine, which harnesses the exhaust gas’ energy to provide the power necessary to drive the compressor wheel.



COMPONENTS OF A TURBOCHARGER



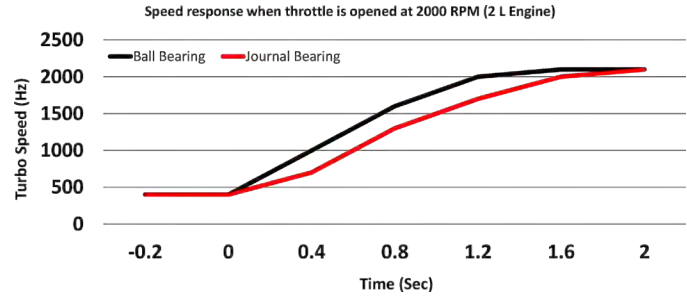
BALL BEARING TECHNOLOGY

Ball bearing innovation began as a result of work with the Garrett Motorsports group for several racing series where it received the term the “cartridge ball bearing”. The cartridge is a single sleeve system that contains a set of angular contact ball bearings on either end, whereas the traditional bearing system contains a set of journal bearings and a thrust bearing.

Turbo Response - When driving a vehicle with the cartridge ball bearing turbocharger, you will find exceptionally crisp and strong throttle response. Garrett Ball Bearing turbochargers spool up 15% faster than traditional journal bearings. This produces an improved response that can be converted to quicker 0-60 mph speed. In fact, some professional drivers of Garrett ball-bearing turbocharged engines report they feel like they are driving a large, normally aspirated engine.

Reduced Oil Flow - The ball bearing design reduces the required amount of oil required to provide adequate lubrication. This lower oil volume reduces the chance for seal leakage. Also, the ball bearing is more tolerant of marginal lube conditions, and diminishes the possibility of turbocharger failure on cold start conditions. Read more at www.GarrettMotion.com

Improved Rotordynamics and Durability - The ball bearing cartridge gives better damping and control over shaft motion, increasing reliability for both every day and extreme driving conditions. In addition, the opposed angular contact bearing cartridge eliminates the need for the thrust bearing, a common weak link in the turbo bearing system.



WHEEL TRIM

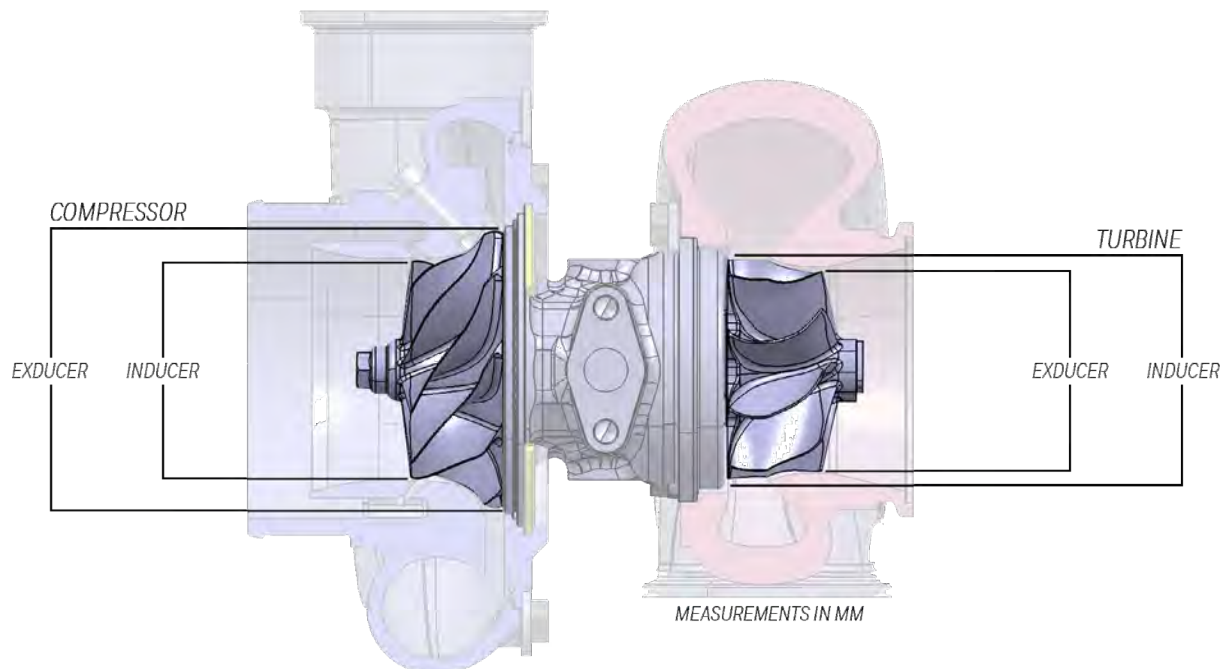
Trim is a common term used when talking about or describing turbochargers. For example, you may hear someone say "I have a GTXxxxx". What is trim? Trim is a term used to express the relationship between the inducer and exducer of both turbine and compressor wheels. More accurately, it is an area ratio. Based on aerodynamics and air entry paths, the inducer for a compressor wheel is the smaller diameter. For turbine wheels, the inducer is the larger diameter.

The trim of a wheel, whether compressor or turbine, affects performance by shifting the airflow capacity. All other factors held constant, a higher trim wheel will flow more than a smaller trim wheel. However, it is important to note that very often all other factors are not held constant. So just because a wheel is a larger trim does not necessarily mean that it will flow more.

Compressor Trim = (Inducer² / Exducer²) x 100

Turbine Trim = (Exducer² / Inducer²) x 100


WHEEL MEASUREMENTS EXPLAINED



The compressor map describes each compressor's performance characteristics, including efficiency, mass flow rate, turbo speed, choke line, surge line, and pressure ratio. Below is a figure that identifies these aspects.

Efficiency Islands: Efficiency Islands are concentric regions that represent the compressor efficiency at any point on the map. The smallest island near the center of the map is the highest or peak efficiency island. As the rings move out from there, the efficiency drops by the indicated amount until the surge and choke limits are reached.

Mass Flow Rate: Mass Flow Rate is the mass of air flowing through a compressor over period of time and is expressed as lb/min. As a very general rule, turbocharged gasoline engines generate 10.0-11.0* horsepower at the flywheel for each lb/min of airflow. So, an engine with a target peak horsepower of 400 Hp will require 36-40 lb/min of airflow to achieve that target. Many people use Volumetric Flow Rate (expressed in cubic feet per minute, CFM or ft³/min) instead of mass flow rate. Volumetric flow rate can be converted to mass flow by multiplying by the air density. Air density at sea level is 0.076lb/ft³. Mass flow can be physically measured, but in many cases it is sufficient to estimate the mass flow when choosing the proper turbo.

Turbo Speed: Turbo Speed Lines are constant turbo speed measured in RPM. As turbo speed increases, the pressure ratio and mass flow increases. Turbo speed lines are very close together at the far right edge of the map indicating a potential turbo over-speed condition. Maximum turbo speed will be noted with the following symbol. 

Choke Line: The Choke Line is the right hand boundary of the compressor map and defined at the point where the efficiency drops below 58%. In addition to the rapid drop of compressor efficiency past this point, turbo speed also approaches or exceeds the recommended limit. If your actual or predicted operation is beyond this limit, a larger compressor is necessary.

Surge Line: Surge is the left hand boundary of the compressor map and represents a region of flow instability. This region is characterized by mild flutter to wildly fluctuating boost from the compressor. Continued operation within this region can lead to premature turbo failure due to heavy thrust loading. Surge will decay once the turbo speed finally slows enough to reduce the boost and move the operating point back into the stable region. This situation is commonly addressed by using a Blow-Off Valve (BOV) or bypass valve. A BOV functions to vent intake pressure to atmosphere so that the mass flow ramps down smoothly, keeping the compressor out of surge. In the case of a recirculating bypass valve, the airflow is recirculated back to the compressor inlet.

Pressure Ratio: $\Pi c = \frac{P_{2c}}{P_{1c}}$

Where:

Πc = Pressure Ratio

P_{2c} = Absolute Outlet Pressure

P_{1c} = Absolute Inlet Pressure

Absolute Pressure: It is important to use units of Absolute Pressure for both P_{2c} and P_{1c}. Absolute Pressure at sea level is 14.7 PSia. In units of PSia, the "a" refers to "absolute". This is referred to as standard atmospheric pressure at standard conditions.

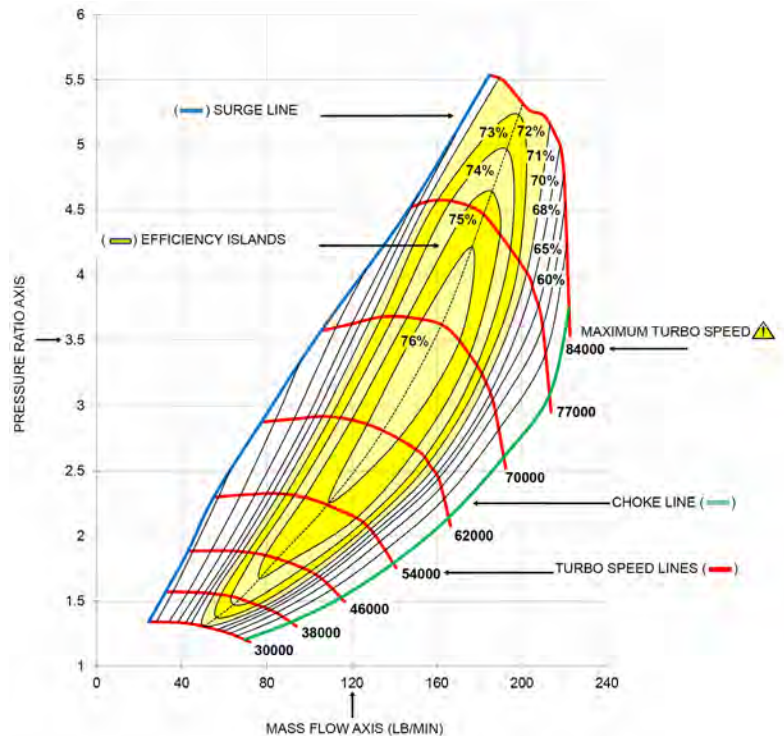
Gauge Pressure: Measures the pressure above atmospheric, so a gauge pressure reading at atmospheric conditions will read zero. Boost gauges measure the manifold pressure relative to atmospheric pressure, and thus are measuring Gauge Pressure. In units of PSIG, the "g" refers to "gauge". This is important when determining P_{2c}.

Calculating P_{2c}: For example, a reading of 12 PSIG on a boost gauge means that the air pressure in the manifold is 12 PSI above atmospheric pressure. For standard atmospheric conditions, 12 PSIG + 14.7 PSia = 26.7 PSI absolute compressor outlet pressure (P_{2c}). The pressure ratio at this condition can now be calculated: 26.7 / 14.7 = 1.82

Depression: A pressure loss upstream of the compressor caused by any restriction from the air filter or restrictive ducting. Depression can be 1 PSIG or more on some intake systems. In determining pressure ratio, the absolute pressure at the compressor inlet (P_{1c}) is often LESS than the ambient pressure, especially at high load. Taking into account the 1 PSIG intake depression, the pressure ratio is now: (12 PSIG + 14.7 PSia) / 13.7 PSia = 1.95

Elevation: Higher elevations can have a significant effect on pressure ratio. Turbo speed increases to compensate for increases in altitude. Substitute the actual atmospheric pressure in place of the 14.7 PSI in the equations above to give a more accurate calculation. For example, at Denver's 5000 feet elevation, the atmospheric pressure is typically around 12.4 PSia. In this case, the pressure ratio calculation, taking into account the intake depression, is: (12 PSIG + 12.4 PSia) / (12.4 PSia - 1 PSIG) = 2.14 Compared to the 1.82 pressure ratio calculated originally, this is a big difference.

* Performance results of this product are highly dependent upon your vehicle's modifications and tuning/calibration. Horsepower numbers represented in this catalog are calculated based strictly on choke flow of the compressor map (total turbo capability), which represents the potential flywheel horsepower.



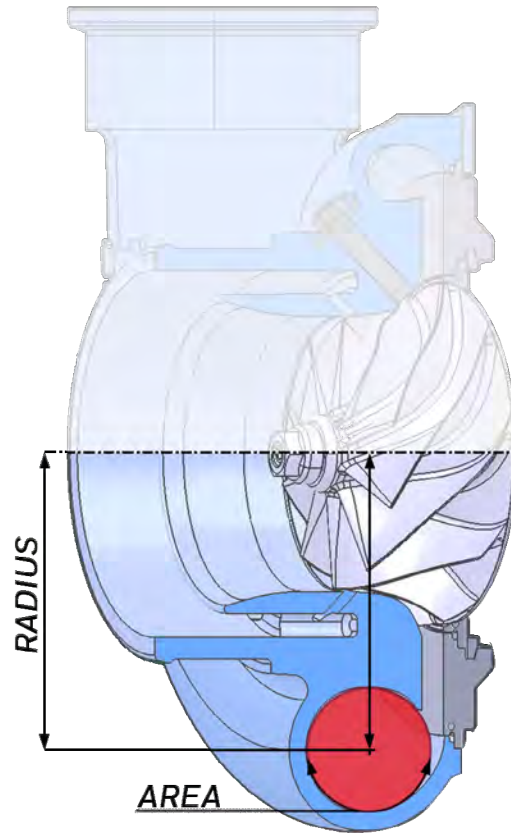
A/R (Area/Radius) describes a geometric characteristic of all compressor and turbine housings. It is defined as the inlet (or, for compressor housings, the discharge) cross-sectional area divided by the radius from the turbo centerline to the centroid of that area.

Compressor A/R - Compressor performance is comparatively insensitive to changes in A/R. Larger A/R housings are sometimes used to optimize performance of low boost applications, and smaller A/R are used for high boost applications. However, as this influence of A/R on compressor performance is minor, there are rarely A/R options available for compressor housings.

Turbine A/R - Turbine performance is greatly affected by changing the A/R of the housing. Using a smaller A/R will increase the exhaust gas velocity into the turbine wheel providing increased turbine power at lower engine speeds and resulting in quicker boost response. The smaller A/R also causes the flow to enter the wheel more tangentially, which reduces the ultimate flow capacity of the turbine wheel. This will increase exhaust back pressure and reduce the engine's ability to breathe effectively at high RPM, adversely affecting peak engine power.

Using a larger A/R will lower exhaust gas velocity, and delay boost response. The flow in a larger A/R housing enters the wheel in a more radial fashion, increasing the wheel's effective flow capacity, resulting in lower back pressure and more power at higher engine speeds.

When deciding between A/R options, be realistic with the intended vehicle use and choose the A/R to bias the performance toward the desired power band characteristic.



HOW DO I CHOOSE THE RIGHT TURBO

The primary input in determining which turbocharger is appropriate is to have a target horsepower in mind. This should be as realistic as possible for the application. Remember that engine power is generally proportional to air and fuel flow. Once you have a target horsepower identified along with your engine displacement, you begin to hone in on the turbocharger size, which is highly dependent on airflow requirements.

Other important factors include the type of application. An autocross car, for example, requires rapid boost response. A smaller turbocharger or smaller turbine housing would be most suitable for this application. While this will trade off ultimate power due to increased exhaust back pressure at higher engine speeds, boost response of the small turbo will be excellent. Alternatively, on a car dedicated to track days, peak horsepower is a higher priority than low-end torque. Plus, engine speeds tend to be consistently higher. Here, a larger turbocharger or turbine housing will provide reduced back pressure but less-immediate low-end response. This is a welcome trade off given the intended operating conditions.

Selecting the turbocharger for your application goes beyond "how much boost" you want to run. Defining your target power level and the primary use for the application are the first steps in enabling your Performance Distributor to select the right turbocharger for you.

Scan the QR codes below to be directed to the Garrett distributor locator or the Boost Adviser turbo matching tool.



Distributor Locator

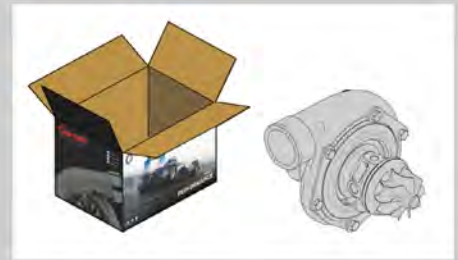


Boost Adviser

Turbocharger part numbers are offered in four configurations and it is important to understand the differences when ordering part numbers. This guide will explain the differences. If you have any questions, please contact a Garrett Distributor for more information.

Supercore PN

Supercore refers to a rotating assembly with compressor housing attached. Gasket kit included. Turbine housing not included.



Turbine Kit PN

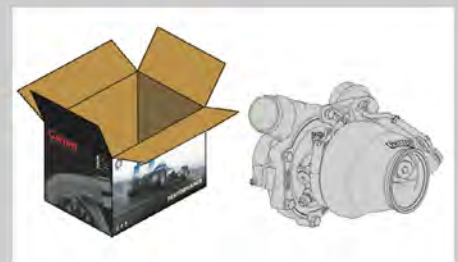
Individually packaged turbine exhaust housings. Connections and size vary between models. Gasket kit, bolts, clamps, V-band/s included. Weld flanges are not included

- Reverse rotation turbine housings are **not** interchangeable with standard rotation supercores
- GT | GTX | GTX Gen II turbine housings **are** interchangeable within the frame family. (GT30 | GTX30 | GTX30 Gen II)
- G Series housings are **not** interchangeable with GT | GTX | GTW
- GTW housings are **not** interchangeable with GT | GTX | G Series
- Some options may require modifications to the exhaust system to fit
- Always double check before purchasing



Turbo PN

Supercore and turbine housing are fully assembled and calibrated by Garrett with a 0.5 Bar actuator. The assembly and calibration make it a Turbo. Only offered with internally wastegated turbine housings. Gasket kit is included.



Assembly Kit PN

One part number includes the supercore and turbine kit, in individual boxes, not assembled to make ordering easier. Gasket kit included. Tools and assembly required to connect the supercore to the turbine housing.



G SERIES

Garrett G Series turbochargers feature the latest innovations in turbocharger technology. This clean sheet product has our highest performing compressor and turbine aero to date. Countless engineering hours have been spent to create the perfect blend of efficiency and performance in a compact package. Advanced features tailored to meet the demands of hard core competitors making G Series the most powerful turbochargers on the market.



The AMS Performance Prime Cuts Chop Shop ALPHA OMEGA Huracan project was started with one goal in mind, to build the world's fastest Lamborghini. As an authorized Performance Distributor of Garrett Motion, AMS has firsthand testing data and on-track experience to know what works and what doesn't. The car has utilized a number of different Garrett turbos throughout its stages to meet the horsepower needs to go faster and faster. From GTX3584RS, G35-1050, G42-1200 Compact, and now a pair of G42-1450 turbos with a 79mm compressor which allows the car to make over **2000 wheel horsepower**.



Reliability is always a priority when working in a competitive racing environment. With an entire race team, vehicle transporter, tools, tires, consumables, and more sent to support the vehicle at race events across the country, teams cannot afford to sit on the sidelines due to a mechanical failure. The testing and inspection procedures that Garrett implements in their manufacturing processes are second to none in the industry and is why they are well known as offering the most reliable turbocharger solutions on the market. This reliability has allowed the AMS team to remain competitive in numerous events as well as set the world record of 7.33 sec @ 194 mph quarter mile with the ALPHA OMEGA Huracan.

A TURN AHEAD OF THE COMPETITION



Product Features	G25	G30	G35	G40	G42	G45	G55	G57
Displacement Range	1.4L-3.0L	2.0L-3.5L	2.0L-5.5L	2.0L-6.0L	2.0L-8.0L	2.0L-8.0L	3.0L-12.0L	3.0L-12.0L
Horsepower Range	300-660	350-900	550-1050	500-1150	475-1450	600-1500	1000-2900	1400-3000
Standard Rotation	•	•	•	•	•	•	•	•
Reverse Rotation	•	•	•					
Internally Wastegated	•	•	•					
Aluminum Backplate				•	•	•	•	•
Aluminum Center Section							•	•
Speed Sensor Port	•	•	•	•	•	•	•	•
Water Cooled	•	•	•	•	•	•		
Dual Ceramic Ball Bearing w/ Steel Cages	•	•	•	•	•	•	•	•
Machined Pressure Port	•	•	•	•	•	•	•	•
Oil Restrictor Included	•	•	•					
Water Fittings Included	•	•	•	•	•	•		
Twin Piston Rings	•	•	•	•	•	•	•	•
Ported Shroud	•	•	•	•	•	•	•	•
T25 Inlet Turbine Housing	•							
T3 Inlet Turbine Housing		•	•					
T4 Divided Inlet Turbine Housing		•	•	•	•	•		
T6 Inlet Turbine Housing							•	
Vband Inlet Turbine Housing	•	•	•	•	•	•	•	•
Stainless Steel Turbine Housing	•	•	•	•	•	•	•	•
Inconel Turbine Wheel				•	•	•	•	•
Mar-M Turbine Wheel	•	•	•					



STANDARD AND REVERSE ROTATION

turbochargers are offered in the G Series product line up to G35 frame sizes. Reverse rotation turbochargers are mirrored in appearance and rotate counter clockwise. It is a popular option for twin turbo systems to maintain symmetry in the engine compartment. Reverse rotation components are not interchangeable with standard rotation components and housings. G25 | G30 | G35

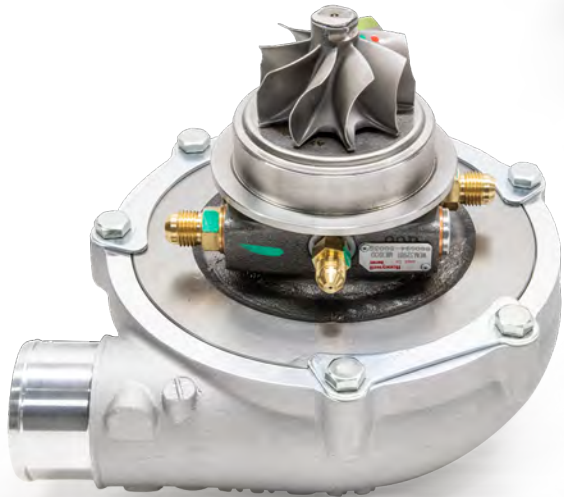
STAINLESS STEEL TURBINE HOUSINGS

are offered with all G Series turbochargers. High heat tolerance paired with high strength make a robust product that looks great and passes Garrett Motion burst and containment testing.



INTERNALLY WASTEGATED

configurations are available in standard rotation in G25|G30|G35 and reverse rotation in G25. Turbochargers are fully assembled and calibrated with a 0.5 bar actuator.



TURBINE EFFICIENCY

All G Series turbos feature a new turbine wheel specifically designed to flow more exhaust air with a higher peak efficiency when compared to GTX turbos. Aerodynamics and CFD analysis are performed for each frame size to provide best results. An increase from 10% - 20% more peak flow means G series turbos can support 0.5L - 1.0L more engine displacement per frame size than GTX turbos.

TWIN PISTON RINGS

on both sides of the shaft combined with a new oil deflector to help reduce oil leakage from the center housing to the compressor and turbine stages.



BEARING CARTRIDGE

Ceramic dual ball bearings in a compact cartridge result in less heat transfer to the oil. Steel bearing cages improve the durability of the rotating assembly.



COMPRESSOR WHEEL

Forged fully-machined with new aerodynamics to increase flow up 30% more air than other Garrett turbos.





"We have been able to capture 24 total track records"

C6 Corvette featured on the cover page

10 Questions with Feras Qartoumy:

1. What made you decide to start racing?

I grew up at the track watching my father race. He would take me with him to help change tires and brakes. I probably did more harm than good but thanks to my father I not only developed a passion for racing but it's also where I got my mindset of never giving up!

2. Tell us about your Corvette (YMM, engine, power, turbos, etc.)

2008 Corvette Z06. LME 427. RHS Block Brodix Heads. Garrett G35-900's 1200 whp on kill... Penske Racing 8300's Alcon 6 piston Brakes Front 4 piston Rear. Motec M150 PPG 1:1 6th gear sequential. Yokohama A005 tires. Bosch Motorsport ABS

3. You have made a big name for yourself the last 2 years. Tell us about all the accomplishments.

The past two years have been absolutely unbelievable. With the help from all my amazing partners we have been able to capture 17 total track records in 2020 and 2021 combined! We were also able to place 1st at every event but 1!

4. Do you have a favorite memory?

My favorite memory would have to be capturing the production car record at Road America with a 2:04. The car was overheating by turn 5 and somehow allowed me to keep pushing and finish the lap. Made me feel like both myself and the car wanted it and stuck it out till the end.

5. What is your favorite race track?

Hands down Circuit of the Americas

6. What tips would you give someone who is just starting out in racing?

Have fun. Many people take racing too serious. never lose sight of how lucky you are to be on track and doing something you are passionate about.

7. Tell us what you like about the different turbo combos and how they have helped you in different ways?

What I like mostly about them is how easily interchangeable they are. I was able to literally just swap turbos and not have to change hot side or charge piping I think that for one making it so easy to test and change out turbos per event is amazing. Also I have noticed I can reach my target HP very easily with all. And can spool sooner by stepping down from a g 35-900 to a g 30-900 but yet still have all the tq and hp I want up top. The g35 seems to be best suited for bigger tracks that have higher speed turns and longer straights. Where the g30 is utilized in smaller tracks where lower speeds are not allowing the turbos to spool as quickly.

8. Your car has some serious aero, how much downforce does it make and how do you know when to adjust it for different tracks?

Currently the car is making north of 3200 lbs of downforce. I have been making slight adjustment to the car per event. I have seen gains and the pros of using high df but also seen cons. That is why at Long Beach and Road America I opted to use a medium downforce package. I am in the process of designing aero with Verus specific to the car based on the data I have acquired over this past year. We just finished scanning the car and have ran it through a few sims now. Big things to come...

9. What's in store for 2022?

For 2022 I'd love to start traveling outside the us and make my way to Australia. I plan on adding to my list of track records and hopefully claim a few more national titles. We have some new aero we are developing in CAD and hopefully a bit more power...

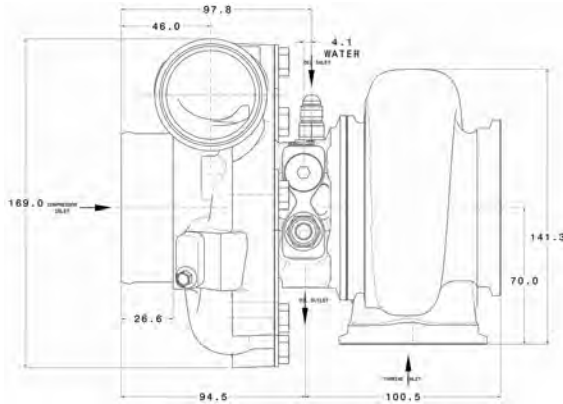
10. Where can people find you on social media?

I pretty much do everything on Instagram. You can find me at @feras_qartoumy I post almost all my in-car on YouTube at Feras Qartoumy.

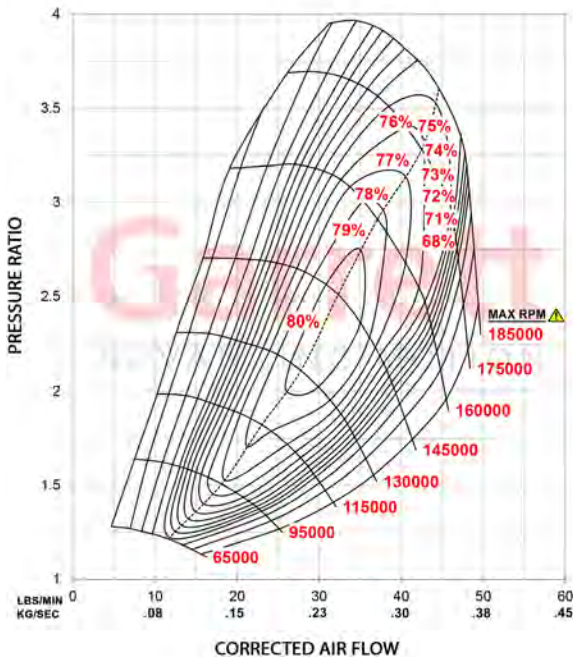
Garrett G25-550

Horsepower: 300 - 550

Displacement: 1.4L - 3.0L



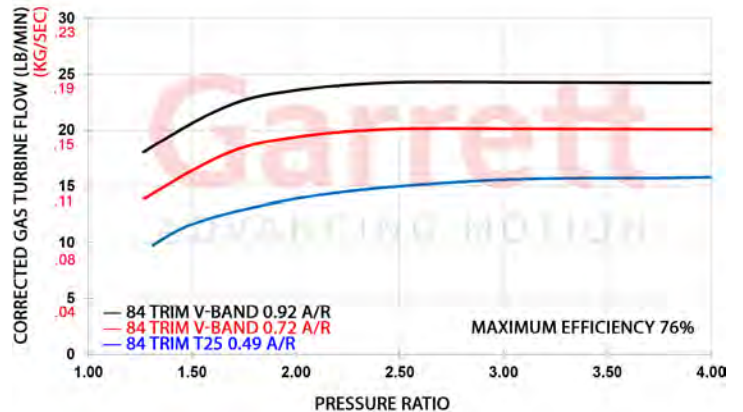
COMPRESSOR MAP



FEATURES:

- ◆ G SERIES COMPRESSOR AERODYNAMICS FOR MAXIMUM HP
- ◆ G SERIES TURBINE WHEEL AERO WITH IMPROVED EFFICIENCY
- ◆ STANDARD AND REVERSE ROTATION CONFIGURATIONS
- ◆ TURBINE WHEEL CONSTRUCTED OF MAR-M ALLOY RATED UP TO 1050°C
- ◆ FULLY MACHINED SPEED SENSOR AND PRESSURE PORTS
- ◆ OIL RESTRICTOR AND WATER FITTINGS INCLUDED

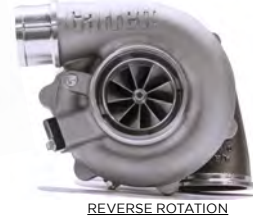
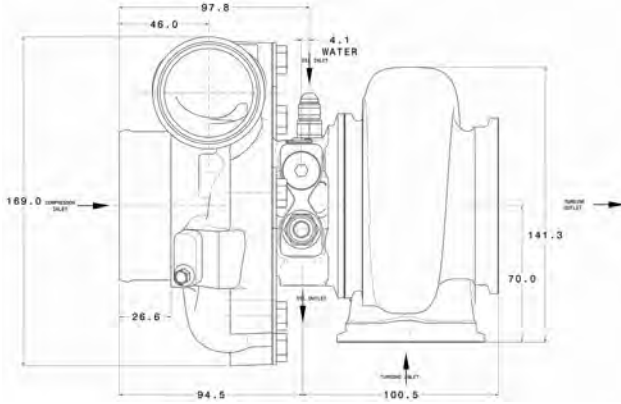
EXHAUST FLOW CHART



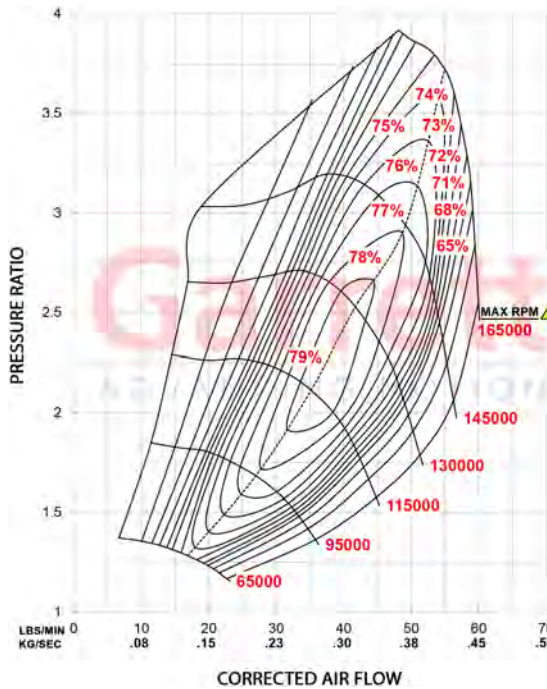
G25-550	Compressor				Turbine		
	Inducer	Exducer	Trim	A/R	Inducer	Exducer	Trim
HP: 300-550 Disp: 1.4L-3.0L	48mm	60mm	65	0.70	54mm	49mm	84
Turbo: Standard Rotation	PN		A/R	Inlet	Outlet	Wastegate	Divided
Assembled and calibrated with 0.5 bar actuator	877895-5001S		0.49	T25	V-band	Internal	N
	877895-5003S		0.72	V-Band	V-band	Internal	N
	877895-5004S		0.92	V-Band	V-band	Internal	N
Turbo: Reverse Rotation	PN		A/R	Inlet	Outlet	Wastegate	Divided
See note above	877895-5007S		0.72	V-Band	V-band	Internal	N
	877895-5008S		0.92	V-Band	V-band	Internal	N
Supercore	PN						
Standard Rotation	858161-5002S						
Reverse Rotation	871388-5001S						
Turbine Kits Standard Rotation	PN		A/R	Inlet	Outlet	Wastegate	Divided
Interchangeable with standard rotation G25-550 G25-660	740902-0069		0.72	V-Band	V-Band	Free Float	N
	740902-0068		0.92	V-Band	V-Band	Free Float	N
Turbine Kits Reverse Rotation	PN		A/R	Inlet	Outlet	Wastegate	Divided
Interchangeable with reverse rotation G25-550 G25-660	740902-0073		0.72	V-Band	V-Band	Free Float	N
	740902-0074		0.92	V-Band	V-Band	Free Float	N

Garrett G25-660

Horsepower: 350 - 660
Displacement: 1.4L - 3.0L



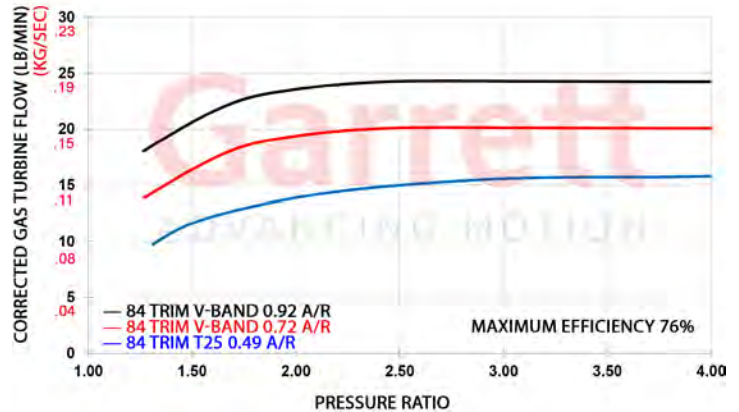
COMPRESSOR MAP



FEATURES:

- ◆ G SERIES COMPRESSOR AERODYNAMICS FOR MAXIMUM HP
- ◆ G SERIES TURBINE WHEEL AERO WITH IMPROVED EFFICIENCY
- ◆ STANDARD AND REVERSE ROTATION CONFIGURATIONS
- ◆ TURBINE WHEEL CONSTRUCTED OF MAR-M ALLOY RATED UP TO 1050°C
- ◆ FULLY MACHINED SPEED SENSOR AND PRESSURE PORTS
- ◆ OIL RESTRICTOR AND WATER FITTINGS INCLUDED

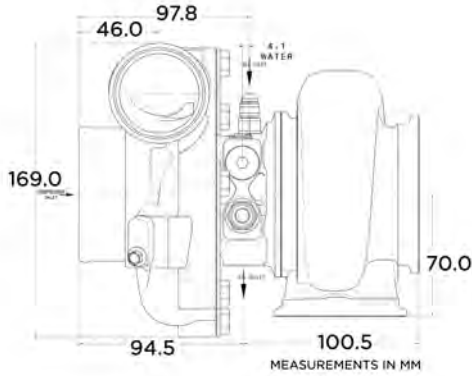
EXHAUST FLOW CHART



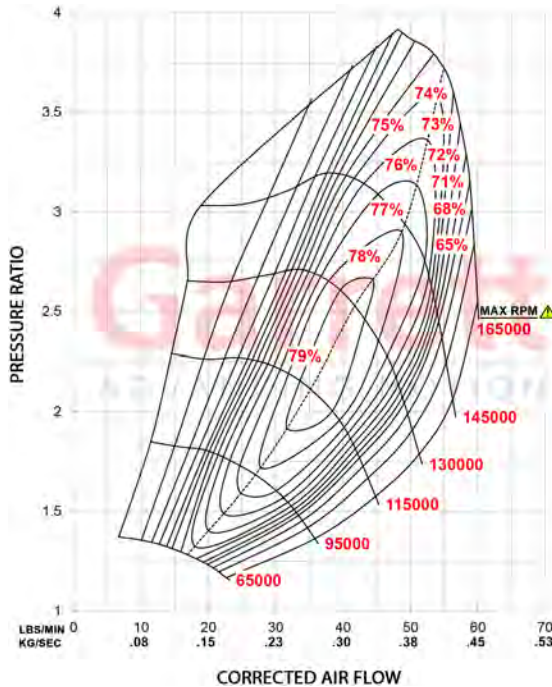
G25-660	Compressor				Inducer	Turbine			
	HP: 350-660	Disp: 1.4L-3.0L	Inducer	Exducer		Trim	A/R	Inducer	Exducer
			54mm	67mm	65	0.70	54mm	49mm	84
Turbo: Standard Rotation			PN		A/R	Inlet	Outlet	Wastegate	Divided
Assembled and calibrated with 0.5 bar actuator			877895-5002S		0.49	T25	V-band	Internal	N
			877895-5005S		0.72	V-Band	V-band	Internal	N
			877895-5006S		0.92	V-Band	V-band	Internal	N
Turbo: Reverse Rotation			PN		A/R	Inlet	Outlet	Wastegate	Divided
See note above			877895-5009S		0.72	V-Band	V-band	Internal	N
			877895-5010S		0.92	V-Band	V-band	Internal	N
Supercore			PN						
Standard Rotation			858161-5003S						
Reverse Rotation			871388-5002S						
Turbine Kits Standard Rotation			PN		A/R	Inlet	Outlet	Wastegate	Divided
Interchangeable with standard rotation G25-550 G25-660			740902-0069		0.72	V-Band	V-Band	Free Float	N
			740902-0068		0.92	V-Band	V-Band	Free Float	N
Turbine Kits Reverse Rotation			PN		A/R	Inlet	Outlet	Wastegate	Divided
Interchangeable with reverse rotation G25-550 G25-660			740902-0073		0.72	V-Band	V-Band	Free Float	N
			740902-0074		0.92	V-Band	V-Band	Free Float	N

Garrett G30-660

Horsepower: 350 - 660
Displacement: 2.0L - 3.5L



COMPRESSOR MAP

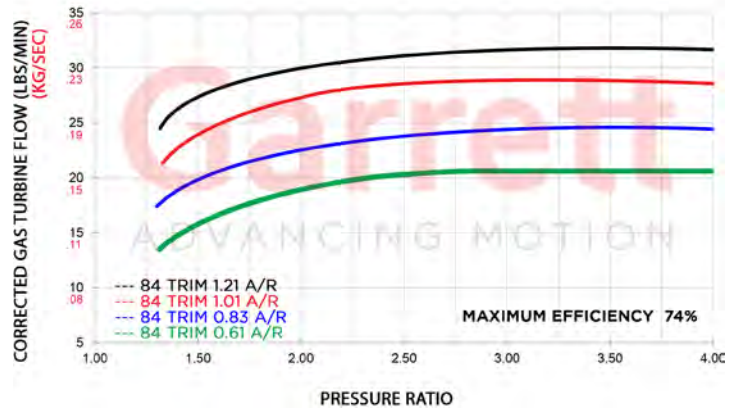


FEATURES:

- ◆ G SERIES COMPRESSOR AERODYNAMICS FOR MAXIMUM HP
- ◆ G SERIES TURBINE WHEEL AERO WITH IMPROVED EFFICIENCY
- ◆ STANDARD AND REVERSE ROTATION CONFIGURATIONS
- ◆ TURBINE WHEEL CONSTRUCTED OF MAR-M ALLOY RATED UP TO 1050°C
- ◆ FULLY MACHINED SPEED SENSOR AND PRESSURE PORTS
- ◆ OIL RESTRICTOR AND WATER FITTINGS INCLUDED

REVERSE ROTATION

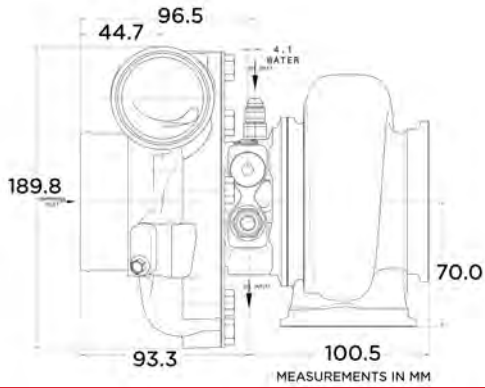
EXHAUST FLOW CHART



G30-660 HP: 350-660 Disp: 2.0L-3.5L	Compressor				Turbine		
	Inducer 54mm	Exducer 67mm	Trim 65	A/R 0.70	Inducer 60mm	Exducer 55mm	Trim 84
Turbo: Standard Rotation	PN				Outlet	Wastegate	Divided
Assembled and calibrated with 0.5 bar actuator	880704-5001S		1.01	T4	V-band	Internal	Y
	880704-5002S		0.83	V-Band	V-band	Internal	N
	880704-5003S		1.01	V-Band	V-band	Internal	N
Supercore	PN						
Standard Rotation	880693-5001S						
Reverse Rotation	880694-5001S						
Turbine Kits Standard Rotation	PN				Outlet	Wastegate	Divided
Interchangeable with standard rotation G30-660 G30-770 G30-900 Supercores	740902-0092		1.06	T4	V-Band	Free Float	Y
	740902-0090		0.83	T3	V-Band	Free Float	N
	740902-0091		1.01	T3	V-Band	Free Float	N
	740902-0086		0.61	V-Band	V-Band	Free Float	N
	740902-0087		0.83	V-Band	V-band	Free Float	N
	740902-0088		1.01	V-Band	V-band	Free Float	N
	740902-0089		1.21	V-Band	V-band	Free Float	N
Turbine Kits Reverse Rotation	PN				Outlet	Wastegate	Divided
Interchangeable with reverse rotation G30-660 G30-770 G30-900 Supercores	740902-0100		0.83	T3	V-Band	Free Float	N
	740902-0101		1.01	T3	V-Band	Free Float	N
	740902-0096		0.61	V-Band	V-Band	Free Float	N
	740902-0097		0.83	V-Band	V-band	Free Float	N
	740902-0098		1.01	V-Band	V-band	Free Float	N
	740902-0099		1.21	V-Band	V-band	Free Float	N

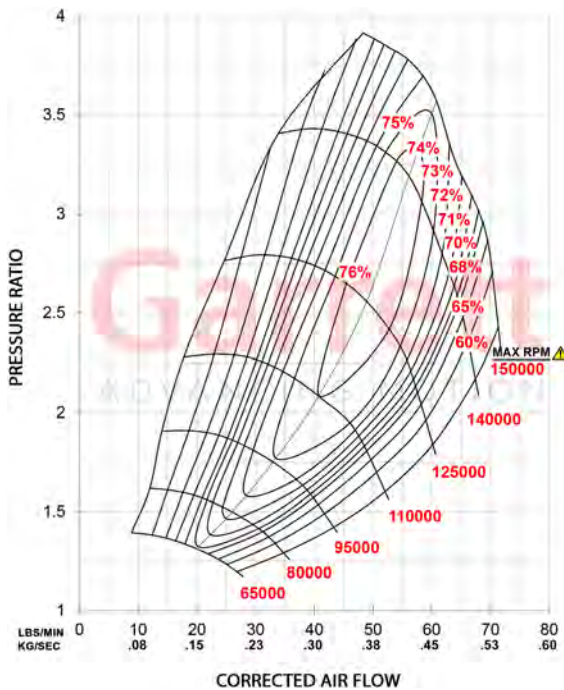
Garrett G30-770

Horsepower: 475 - 770
Displacement: 2.0L - 3.5L



REVERSE ROTATION

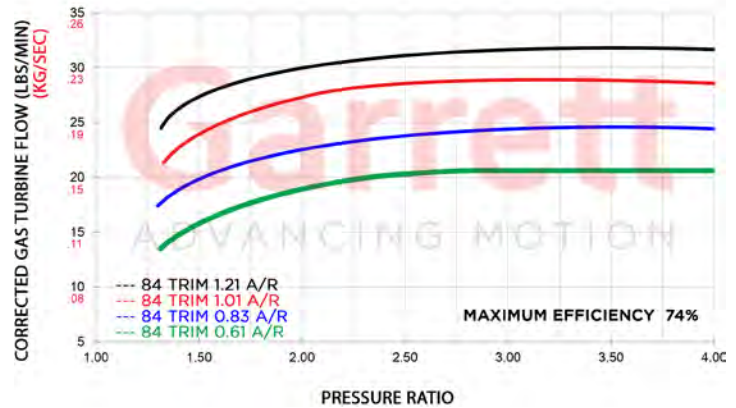
COMPRESSOR MAP



FEATURES:

- ◆ G SERIES COMPRESSOR AERODYNAMICS FOR MAXIMUM HP
- ◆ G SERIES TURBINE WHEEL AERO WITH IMPROVED EFFICIENCY
- ◆ STANDARD AND REVERSE ROTATION CONFIGURATIONS
- ◆ TURBINE WHEEL CONSTRUCTED OF MAR-M ALLOY RATED UP TO 1050°C
- ◆ FULLY MACHINED SPEED SENSOR AND PRESSURE PORTS
- ◆ OIL RESTRICTOR AND WATER FITTINGS INCLUDED

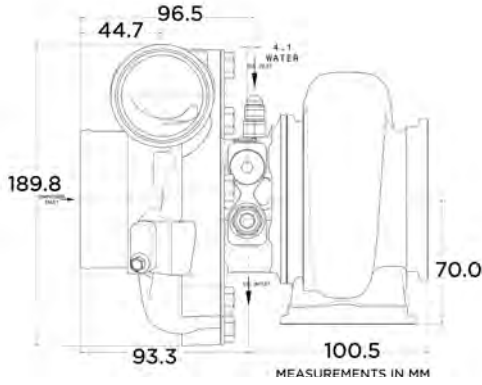
EXHAUST FLOW CHART



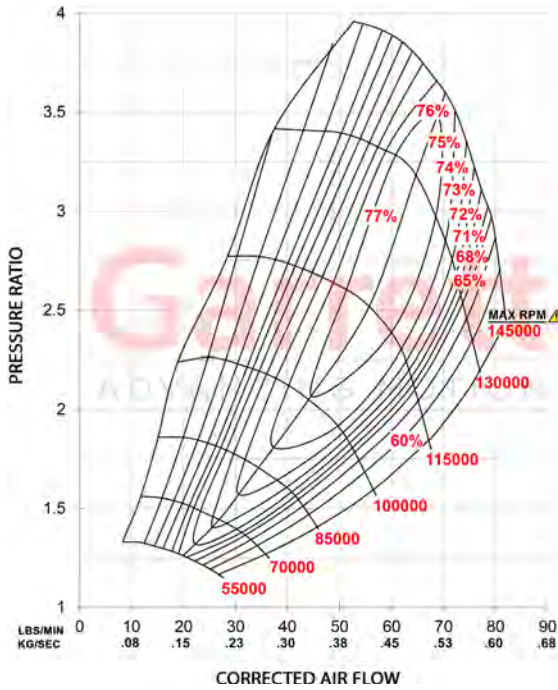
G30-770	Compressor				Turbine				
	HP: 475-770	Disp: 2.0L-3.5L	Inducer 58mm	Exducer 71mm	Trim 65	A/R 0.72	Inducer 60mm	Exducer 55mm	Trim 84
Turbo: Standard Rotation		PN							
Assembled and calibrated with 0.5 bar actuator		880704-5004S		1.01		T4		V-band	
		880704-5005S		0.83		V-Band		V-band	
		880704-5006S		1.01		V-Band		V-band	
Supercore		PN							
Standard Rotation		880693-5002S							
Reverse Rotation		880694-5002S							
Turbine Kits Standard Rotation		PN		A/R		Inlet		Outlet	
Interchangeable with standard rotation G30-660 G30-770 G30-900 Supercores		740902-0092		1.06		T4		V-Band	
		740902-0090		0.83		T3		V-Band	
		740902-0091		1.01		T3		V-Band	
		740902-0086		0.61		V-Band		V-Band	
		740902-0087		0.83		V-Band		V-band	
		740902-0088		1.01		V-Band		V-band	
		740902-0089		1.21		V-Band		V-band	
Turbine Kits Reverse Rotation		PN		A/R		Inlet		Outlet	
Interchangeable with reverse rotation G30-660 G30-770 G30-900 Supercores		740902-0100		0.83		T3		V-Band	
		740902-0101		1.01		T3		V-Band	
		740902-0096		0.61		V-Band		V-Band	
		740902-0097		0.83		V-Band		V-band	
		740902-0098		1.01		V-Band		V-band	
		740902-0099		1.21		V-Band		V-band	

Garrett G30-900

Horsepower: 550 - 900
Displacement: 2.0L - 3.5L



COMPRESSOR MAP

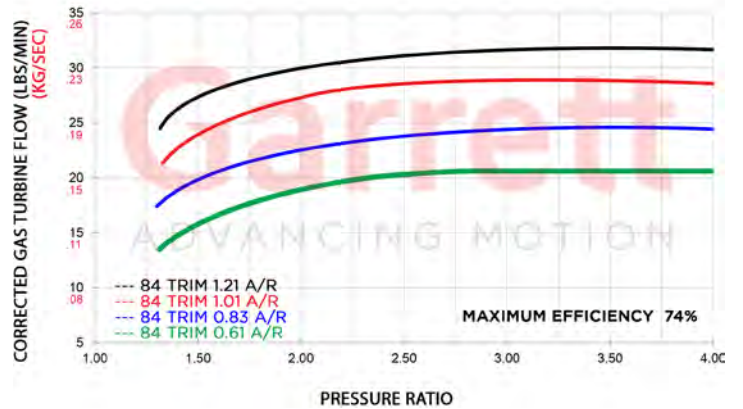


REVERSE ROTATION

FEATURES:

- ◆ G SERIES COMPRESSOR AERODYNAMICS FOR MAXIMUM HP
- ◆ G SERIES TURBINE WHEEL AERO WITH IMPROVED EFFICIENCY
- ◆ STANDARD AND REVERSE ROTATION CONFIGURATIONS
- ◆ TURBINE WHEEL CONSTRUCTED OF MAR-M ALLOY RATED UP TO 1050°C
- ◆ FULLY MACHINED SPEED SENSOR AND PRESSURE PORTS
- ◆ OIL RESTRICTOR AND WATER FITTINGS INCLUDED

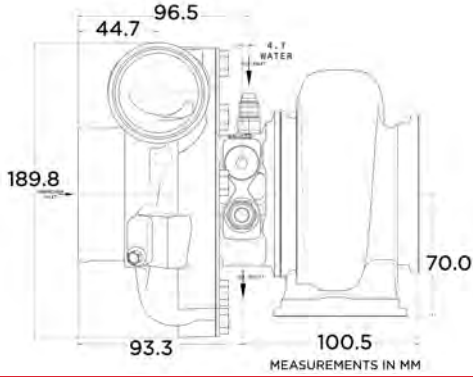
EXHAUST FLOW CHART



G30-900	Compressor				Turbine				
	HP: 550-900	Disp: 2.0L-3.5L	Inducer 62mm	Exducer 76mm	Trim 65	A/R 0.72	Inducer 60mm	Exducer 55mm	Trim 84
Turbo: Standard Rotation		PN		A/R	Inlet	Outlet	Wastegate	Divided	
Assembled and calibrated with 0.5 bar actuator		880704-5007S		1.01	T4	V-band	Internal	Y	
		880704-5008S		0.83	V-Band	V-band	Internal	N	
		880704-5009S		1.01	V-Band	V-band	Internal	N	
Supercore		PN							
Supercore: Standard Rotation		880693-5003S							
Supercore: Reverse Rotation		880694-5003S							
Turbine Kits Standard Rotation		PN		A/R	Inlet	Outlet	Wastegate	Divided	
Interchangeable with standard rotation G30-660 G30-770 G30-900 Supercores		740902-0092		1.06	T4	V-Band	Free Float	Y	
		740902-0090		0.83	T3	V-Band	Free Float	N	
		740902-0091		1.01	T3	V-Band	Free Float	N	
		740902-0086		0.61	V-Band	V-Band	Free Float	N	
		740902-0087		0.83	V-Band	V-band	Free Float	N	
		740902-0088		1.01	V-Band	V-band	Free Float	N	
		740902-0089		1.21	V-Band	V-band	Free Float	N	
Turbine Kits Reverse Rotation		PN		A/R	Inlet	Outlet	Wastegate	Divided	
Interchangeable with reverse rotation G30-660 G30-770 G30-900 Supercores		740902-0100		0.83	T3	V-Band	Free Float	N	
		740902-0101		1.01	T3	V-Band	Free Float	N	
		740902-0096		0.61	V-Band	V-Band	Free Float	N	
		740902-0097		0.83	V-Band	V-band	Free Float	N	
		740902-0098		1.01	V-Band	V-band	Free Float	N	
		740902-0099		1.21	V-Band	V-band	Free Float	N	

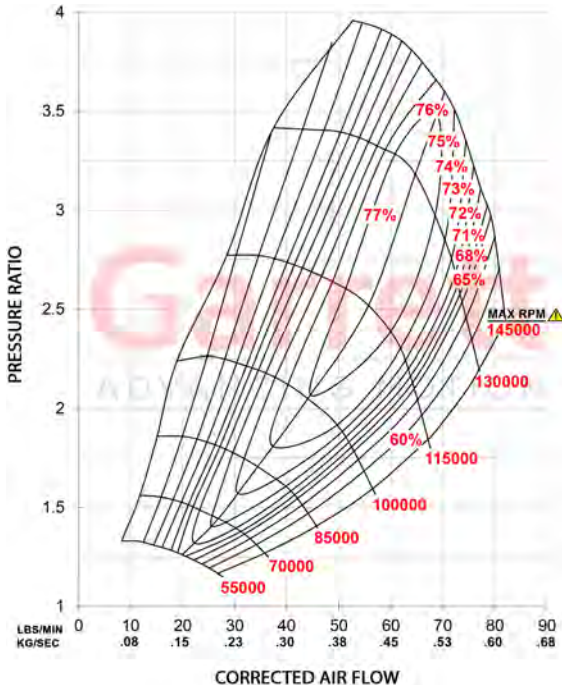
Garrett G35-900

Horsepower: 550 - 900
Displacement: 2.0L - 5.5L



REVERSE ROTATION

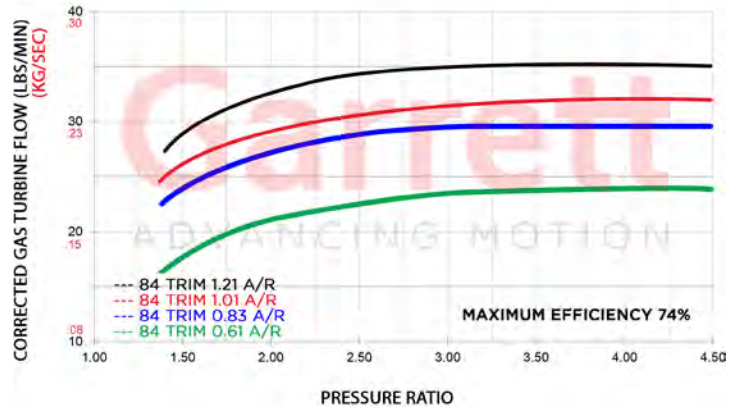
COMPRESSOR MAP



FEATURES:

- ◆ G SERIES COMPRESSOR AERODYNAMICS FOR MAXIMUM HP
- ◆ G SERIES TURBINE WHEEL AERO WITH IMPROVED EFFICIENCY
- ◆ STANDARD AND REVERSE ROTATION CONFIGURATIONS
- ◆ TURBINE WHEEL CONSTRUCTED OF MAR-M ALLOY RATED UP TO 1050°C
- ◆ FULLY MACHINED SPEED SENSOR AND PRESSURE PORTS
- ◆ OIL RESTRICTOR AND WATER FITTINGS INCLUDED

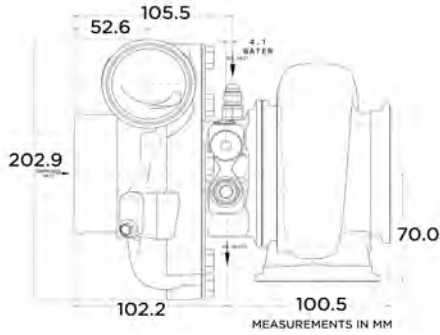
EXHAUST FLOW CHART



G35-900	Compressor				Turbine				
	HP: 550-900	Disp: 2.0L-5.5L	Inducer 62mm	Exducer 76mm	Trim 65	A/R 0.72	Inducer 68mm	Exducer 62mm	Trim 84
Turbo: Standard Rotation			PN	A/R	Inlet	Outlet	Wastegate	Divided	
Assembled and calibrated with 0.5 bar actuator			880707-5001S	1.01	T4	V-band	Internal	Y	
			880707-5002S	0.83	V-Band	V-band	Internal	N	
			880707-5003S	1.01	V-Band	V-band	Internal	N	
Supercore			PN	A/R	Inlet	Outlet	Wastegate	Divided	
Supercore: Standard Rotation			880695-5001S						
Supercore: Reverse Rotation			880696-5001S						
Turbine Kits Standard Rotation			PN	A/R	Inlet	Outlet	Wastegate	Divided	
Interchangeable with standard rotation G35-900 G35-1050 Supercores			740902-0109	1.01	T4	V-Band	Free Float	Y	
			740902-0108	1.06	T4	V-band	Free Float	Y	
			740902-0106	0.83	T3	V-Band	Free Float	N	
			740902-0107	1.01	T3	V-Band	Free Float	N	
			740902-0102	0.61	V-Band	V-Band	Free Float	N	
			740902-0103	0.83	V-Band	V-band	Free Float	N	
			740902-0104	1.01	V-Band	V-band	Free Float	N	
			740902-0105	1.21	V-Band	V-band	Free Float	N	
Turbine Kits Reverse Rotation			PN	A/R	Inlet	Outlet	Wastegate	Divided	
Interchangeable with reverse rotation G35-900 G35-1050 Supercores			740902-0116	0.83	T3	V-Band	Free Float	N	
			740902-0117	1.01	T3	V-Band	Free Float	N	
			740902-0112	0.61	V-Band	V-Band	Free Float	N	
			740902-0113	0.83	V-Band	V-band	Free Float	N	
			740902-0114	1.01	V-Band	V-band	Free Float	N	
			740902-0115	1.21	V-Band	V-band	Free Float	N	

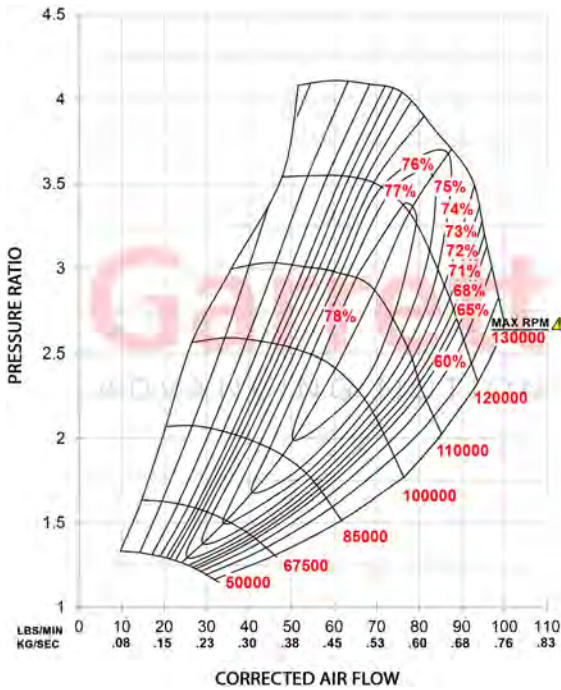
Garrett G35-1050

Horsepower: 700 - 1050
Displacement: 2.0L - 5.5L



REVERSE ROTATION

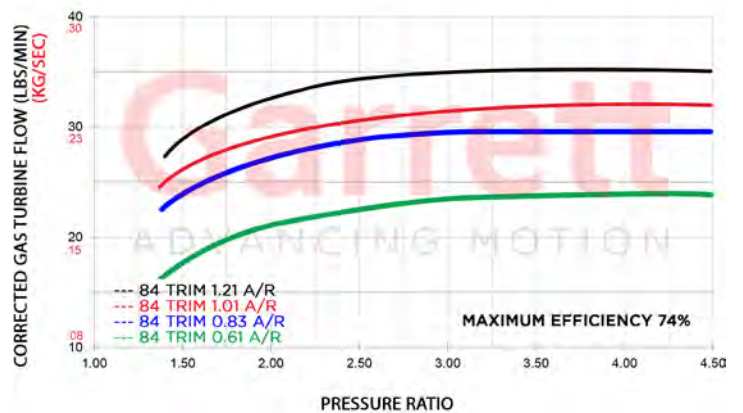
COMPRESSOR MAP



FEATURES:

- ◆ G SERIES COMPRESSOR AERODYNAMICS FOR MAXIMUM HP
- ◆ G SERIES TURBINE WHEEL AERO WITH IMPROVED EFFICIENCY
- ◆ STANDARD AND REVERSE ROTATION CONFIGURATIONS
- ◆ TURBINE WHEEL CONSTRUCTED OF MAR-M ALLOY RATED UP TO 1050°C
- ◆ FULLY MACHINED SPEED SENSOR AND PRESSURE PORTS
- ◆ OIL RESTRICTOR AND WATER FITTINGS INCLUDED

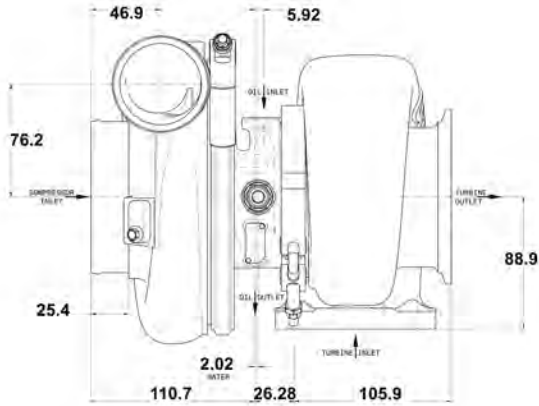
EXHAUST FLOW CHART



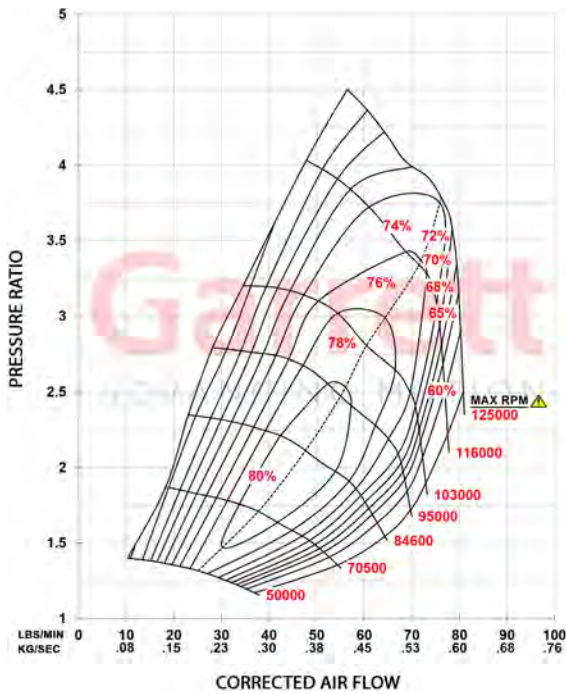
G35-1050	Compressor				Turbine		
	Inducer	Exducer	Trim	A/R	Inducer	Exducer	Trim
HP: 700-1050 Disp: 2.0L-5.5L	68mm	84mm	65	0.75	68mm	62mm	84
Standard Turbo: G35-1050	PN		A/R	Inlet	Outlet	Wastegate	Divided
Assembled and calibrated with 0.5 bar actuator	880707-5004S		1.01	T4	V-band	Internal	Y
	880707-5005S		0.83	V-Band	V-band	Internal	N
	880707-5006S		1.01	V-Band	V-band	Internal	N
Supercore	PN						
Supercore: Standard Rotation	880695-5002S						
Supercore: Reverse Rotation	880696-5002S						
Turbine Kits Standard Rotation	PN		A/R	Inlet	Outlet	Wastegate	Divided
Interchangeable with standard rotation G35-900 G35-1050	740902-0109		1.01	T4	V-Band	Free Float	Y
Supercores	740902-0108		1.06	T4	V-band	Free Float	Y
	740902-0106		0.83	T3	V-Band	Free Float	N
	740902-0107		1.01	T3	V-Band	Free Float	N
	740902-0102		0.61	V-Band	V-Band	Free Float	N
	740902-0103		0.83	V-Band	V-band	Free Float	N
	740902-0104		1.01	V-Band	V-band	Free Float	N
	740902-0105		1.21	V-Band	V-band	Free Float	N
Turbine Kits Reverse Rotation	PN		A/R	Inlet	Outlet	Wastegate	Divided
Interchangeable with reverse rotation G35-900 G35-1050	740902-0116		0.83	T3	V-Band	Free Float	N
Supercores	740902-0117		1.01	T3	V-Band	Free Float	N
	740902-0112		0.61	V-Band	V-Band	Free Float	N
	740902-0113		0.83	V-Band	V-band	Free Float	N
	740902-0114		1.01	V-Band	V-band	Free Float	N
	740902-0115		1.21	V-Band	V-band	Free Float	N

Garrett G40-900

Horsepower: 500 - 900
Displacement: 2.0L - 6.0L



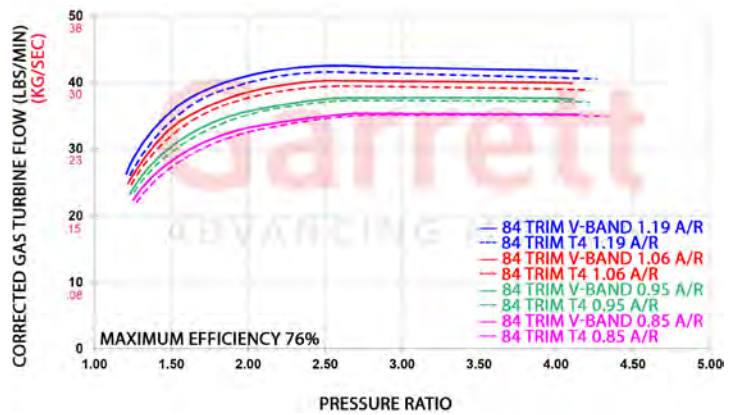
COMPRESSOR MAP



FEATURES:

- ◆ UP TO 32% MORE COMPRESSOR FLOW (COMPARED TO GTX4088R)
- ◆ CERAMIC DUAL BALL BEARING WITH STEEL CAGES
- ◆ UP TO 16% MORE TURBINE FLOW (COMPARED TO GTX4088R)
- ◆ 77MM INCONEL TURBINE WHEEL FLOWS UP TO 43 LBS/MIN
- ◆ LIGHTWEIGHT ALUMINUM BACKPLATE
- ◆ FULLY MACHINED SPEED SENSOR AND PRESSURE PORTS
- ◆ WATER FITTINGS INCLUDED WITH SUPERCORE
- ◆ STAINLESS STEEL V-BAND AND T4 TWIN SCROLL TURBINE HOUSINGS
- ◆ T4 TURBINE HOUSING OUTLET V-BAND DIMENSION (117.4MM | 4.622" OD) IS EQUAL TO EXISTING GTX42, GTX45 AND G42 MODELS

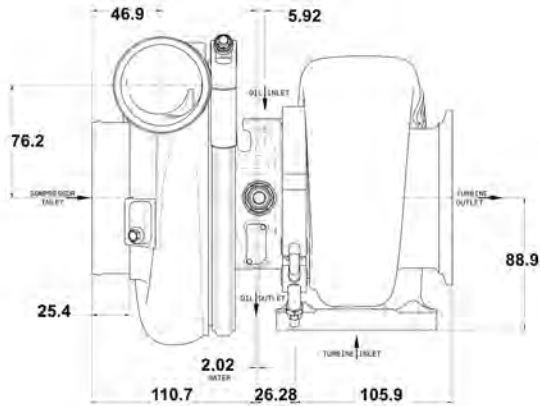
EXHAUST FLOW CHART



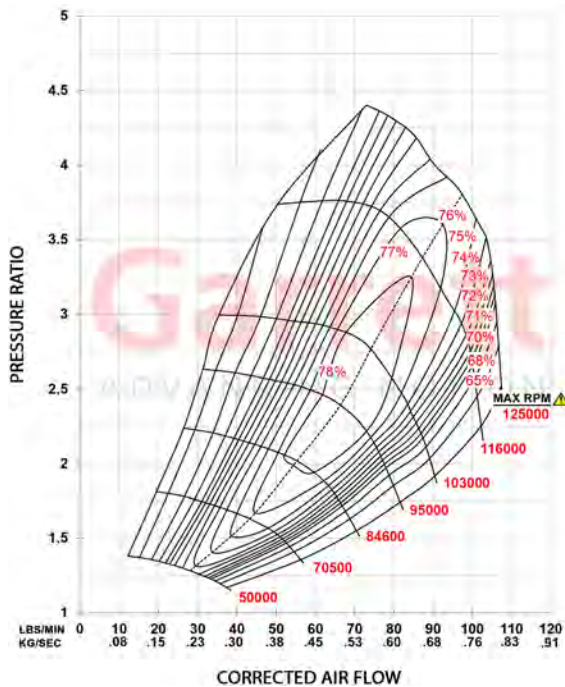
G40-900	Compressor				Turbine		
	Inducer	Exducer	Trim	A/R	Inducer	Exducer	Trim
HP: 500-900 Disp: 2.0L-6.0L	62mm	88mm	51	0.80	77mm	70mm	84
Supercore	PN						
Standard Rotation	860777-5003S						
Turbine Kits: G40	PN		A/R	Inlet	Outlet	Wastegate	Divided
Interchangeable with G40-900	757707-0027		0.85	V-Band	V-Band	Free Float	N
G40-1150 Supercores	757707-0028		0.95	V-Band	V-Band	Free Float	N
	757707-0029		1.06	V-Band	V-Band	Free Float	N
	757707-0030		1.19	V-Band	V-Band	Free Float	N
	757707-0032		0.85	T4	V-Band	Free Float	Y
	757707-0033		0.95	T4	V-Band	Free Float	Y
	757707-0034		1.06	T4	V-Band	Free Float	Y
	757707-0035		1.19	T4	V-Band	Free Float	Y

Garrett G40-1150

Horsepower: 500 - 1150
Displacement: 2.0L - 6.0L



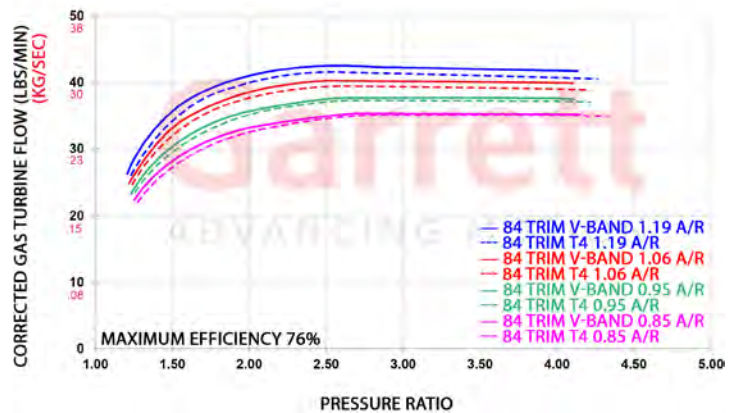
COMPRESSOR MAP



FEATURES:

- ◆ UP TO 32% MORE COMPRESSOR FLOW (COMPARED TO GTX4088R)
- ◆ CERAMIC DUAL BALL BEARING WITH STEEL CAGES
- ◆ UP TO 16% MORE TURBINE FLOW (COMPARED TO GTX4088R)
- ◆ 77MM INCONEL TURBINE WHEEL FLOWS UP TO 43 LBS/MIN
- ◆ LIGHTWEIGHT ALUMINUM BACKPLATE
- ◆ FULLY MACHINED SPEED SENSOR AND PRESSURE PORTS
- ◆ WATER FITTINGS INCLUDED WITH SUPERCORE
- ◆ STAINLESS STEEL V-BAND AND T4 TWIN SCROLL TURBINE HOUSINGS
- ◆ T4 TURBINE HOUSING OUTLET V-BAND DIMENSION (117.4MM | 4.622" OD) IS EQUAL TO EXISTING GTX42, GTX45 AND G42 MODELS

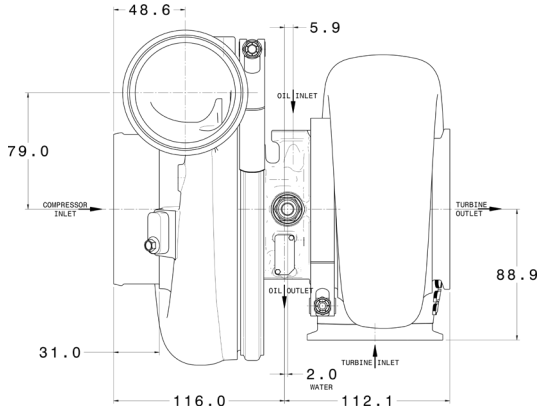
EXHAUST FLOW CHART



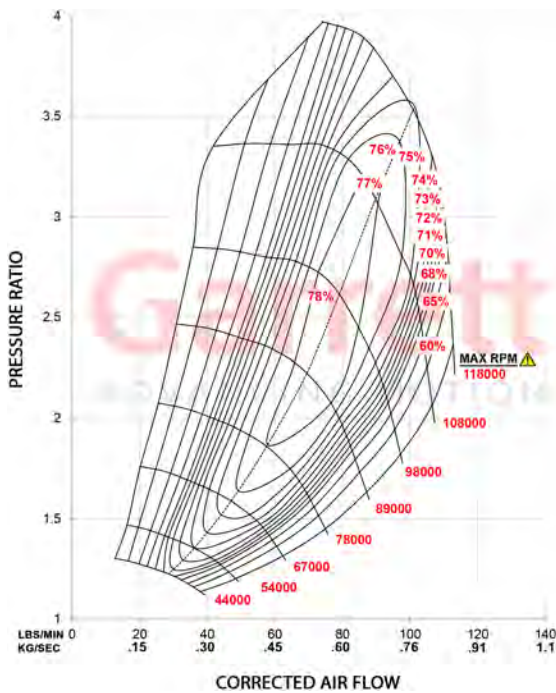
G40-1150	Compressor				Turbine		
	Inducer	Exducer	Trim	A/R	Inducer	Exducer	Trim
HP: 500-1150 Disp: 2.0L-6.0L	71mm	88mm	65	0.80	77mm	70mm	84
Supercore	PN						
Standard Rotation	860777-5002S						
Turbine Kits: G40	PN		A/R	Inlet	Outlet	Wastegate	Divided
Interchangeable with G40-900	757707-0027		0.85	V-Band	V-Band	Free Float	N
G40-1150 Supercores	757707-0028		0.95	V-Band	V-Band	Free Float	N
	757707-0029		1.06	V-Band	V-Band	Free Float	N
	757707-0030		1.19	V-Band	V-Band	Free Float	N
	757707-0032		0.85	T4	V-Band	Free Float	Y
	757707-0033		0.95	T4	V-Band	Free Float	Y
	757707-0034		1.06	T4	V-Band	Free Float	Y
	757707-0035		1.19	T4	V-Band	Free Float	Y

Garrett G42-1200 Compact

Horsepower: 475 - 1200
Displacement: 2.0L - 7.0L



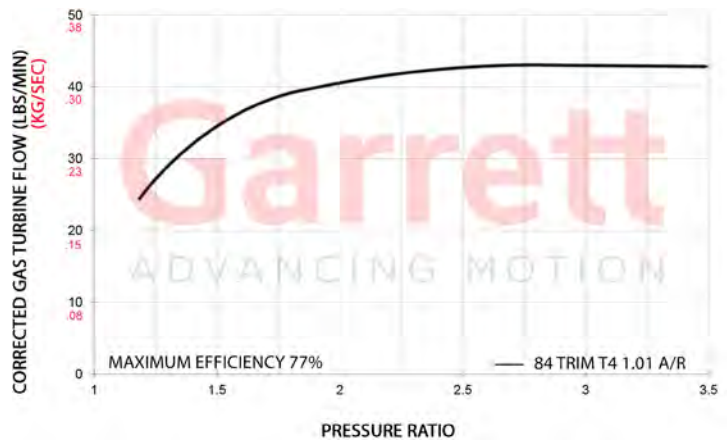
COMPRESSOR MAP



FEATURES:

- ◆ GARRETT G SERIES COMPRESSOR AERODYNAMICS FOR MAXIMUM HP
- ◆ FULLY MACHINED SPEED SENSOR AND PRESSURE PORTS
- ◆ NEW TURBINE WHEEL AERO FOR INCREASED EFFICIENCY AND FLOW
- ◆ STAINLESS STEEL V-BAND AND T4 TWIN SCROLL TURBINE HOUSINGS
- ◆ WATER FITTINGS INCLUDED

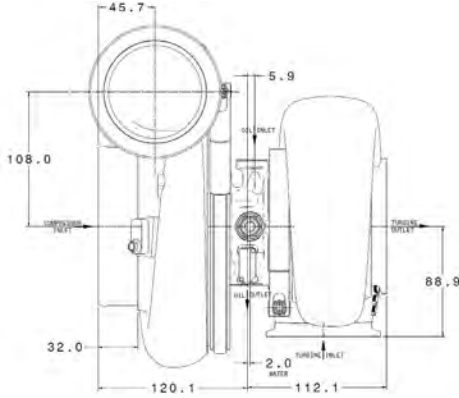
EXHAUST FLOW CHART



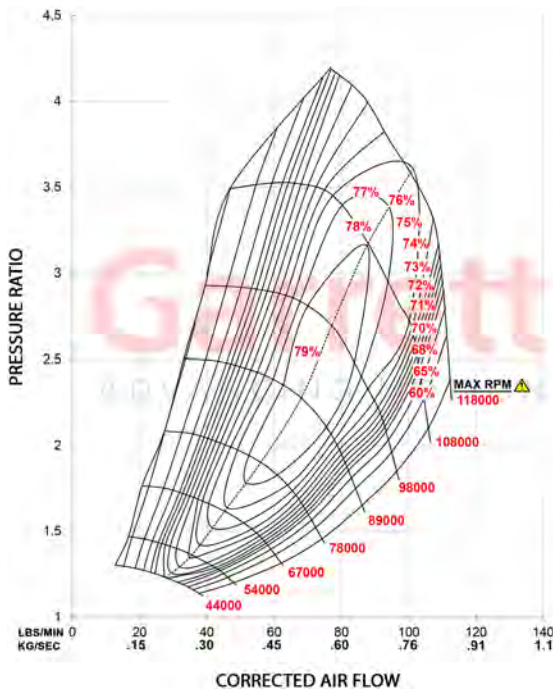
G42-1200 Compact	Compressor				Turbine				
	HP: 475-1200	Disp: 2.0L-7.0L	Inducer 73mm	Exducer 91mm	Trim 65	A/R 0.90	Inducer 82mm	Exducer 75mm	Trim 84
Supercore		PN							
Compact Comp Housing		860778-5002S							
Turbine Kits: G42		PN			A/R	Inlet	Outlet	Wastegate	Divided
Interchangeable with G42-1200		757707-0011			1.01	V-Band	V-Band	Free Float	N
1200 G42-1200 Compact		757707-0012			1.15	V-Band	V-Band	Free Float	N
G42-1450 Supercores		757707-0013			1.28	V-Band	V-Band	Free Float	N
		757707-0014			1.01	T4	V-band	Free Float	Y
		757707-0015			1.15	T4	V-band	Free Float	Y
		757707-0016			1.28	T4	V-band	Free Float	Y

Garrett G42-1200

Horsepower: 475 - 1200
Displacement: 2.0L - 7.0L



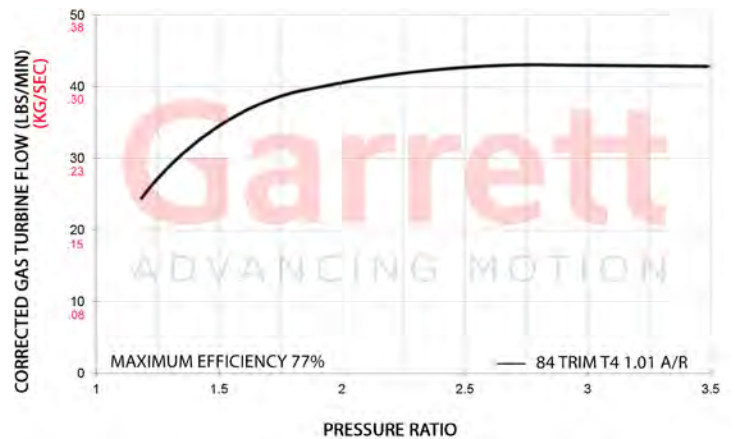
COMPRESSOR MAP



FEATURES:

- ◆ GARRETT G SERIES COMPRESSOR AERODYNAMICS FOR MAXIMUM HP
- ◆ FULLY MACHINED SPEED SENSOR AND PRESSURE PORTS
- ◆ NEW TURBINE WHEEL AERO FOR INCREASED EFFICIENCY AND FLOW
- ◆ STAINLESS STEEL V-BAND AND T4 TWIN SCROLL TURBINE HOUSINGS
- ◆ WATER FITTINGS INCLUDED

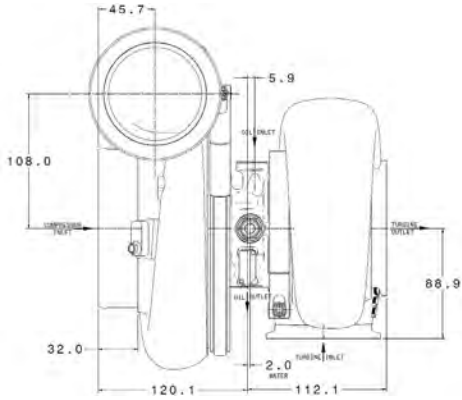
EXHAUST FLOW CHART



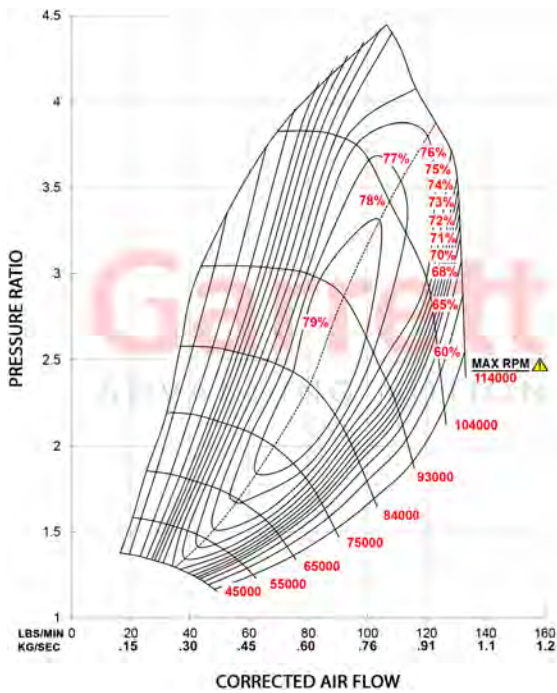
G42-1200	Compressor					Turbine		
	HP: 475-1200	Disp: 2.0L-7.0L	Inducer	Exducer	Trim	A/R	Inducer	Exducer
Supercore	PN							
Full-Size Comp Housing	860778-5004S							
Turbine Kits: G42	PN		A/R	Inlet	Outlet	Wastegate	Divided	
Interchangeable with G42-1200	757707-0011		1.01	V-Band	V-Band	Free Float	N	
1200 G42-1200 Compact	757707-0012		1.15	V-Band	V-Band	Free Float	N	
G42-1450 Supercores	757707-0013		1.28	V-Band	V-Band	Free Float	N	
	757707-0014		1.01	T4	V-band	Free Float	Y	
	757707-0015		1.15	T4	V-band	Free Float	Y	
	757707-0016		1.28	T4	V-band	Free Float	Y	

Garrett G42-1450

Horsepower: 525 - 1450
 Displacement: 2.0L - 8.0L



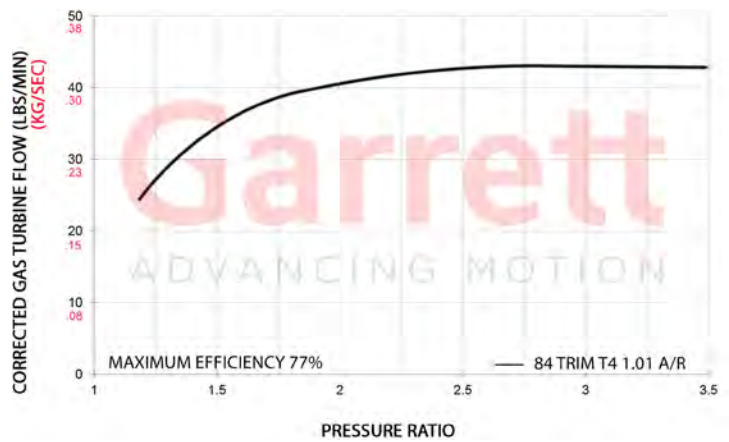
COMPRESSOR MAP



FEATURES:

- ◆ GARRETT G SERIES COMPRESSOR AERODYNAMICS FOR MAXIMUM HP
- ◆ FULLY MACHINED SPEED SENSOR AND PRESSURE PORTS
- ◆ NEW TURBINE WHEEL AERO FOR INCREASED EFFICIENCY AND FLOW
- ◆ STAINLESS STEEL V-BAND AND T4 TWIN SCROLL TURBINE HOUSINGS
- ◆ WATER FITTINGS INCLUDED

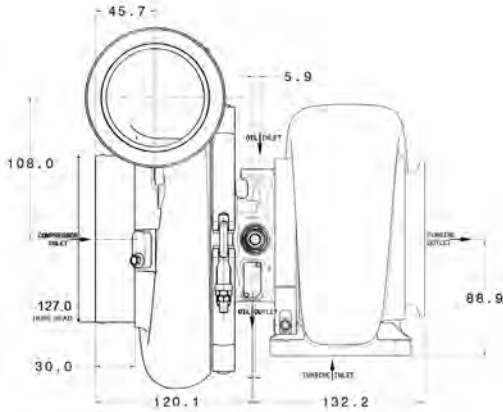
EXHAUST FLOW CHART



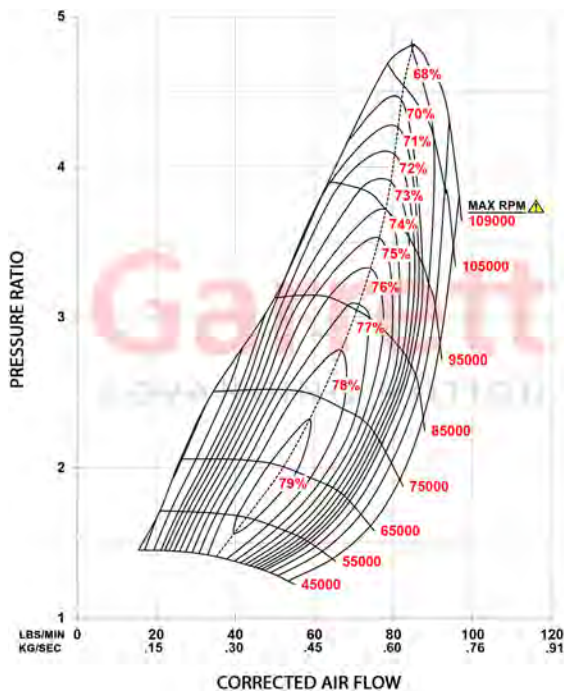
G42-1450	Compressor				Turbine				
	HP: 525-1450	Disp: 2.0L-8.0L	Inducer	Exducer	Trim	A/R	Inducer	Exducer	Trim
			79mm	98mm	65	0.85	82mm	75mm	84
Supercore	PN								
Standard Rotation	860778-5006S								
Turbine Kits: G42			PN	A/R	Inlet	Outlet	Wastegate	Divided	
Interchangeable with G42-1200			757707-0011	1.01	V-Band	V-Band	Free Float	N	
1200 G42-1200 Compact			757707-0012	1.15	V-Band	V-Band	Free Float	N	
G42-1450 Supercores			757707-0013	1.28	V-Band	V-Band	Free Float	N	
			757707-0014	1.01	T4	V-band	Free Float	Y	
			757707-0015	1.15	T4	V-band	Free Float	Y	
			757707-0016	1.28	T4	V-band	Free Float	Y	

Garrett G45-1125

Horsepower: 600 - 1125
 Displacement: 2.0L - 8.0L



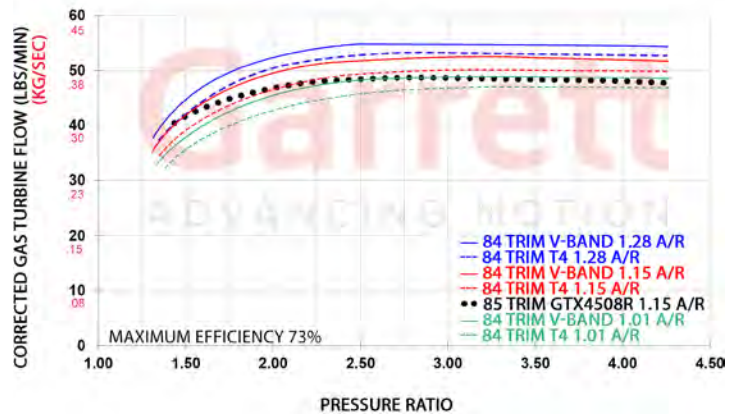
COMPRESSOR MAP



FEATURES:

- ◆ COMPRESSOR AERO INCREASES FLOW UP TO 10% (COMPARED TO GTX4502R 67MM)
- ◆ 67MM COMPRESSOR INDUCER | 102MM COMPRESSOR EXDUCER
- ◆ 10MM CERAMIC DUAL BALL BEARING WITH STEEL CAGES
- ◆ G SERIES TURBINE AERO INCREASES FLOW 14% (COMPARED TO GTX45R)
- ◆ 89MM INCONEL TURBINE WHEEL INDUCER FLOWS UP TO 56 LBS/MIN
- ◆ LIGHTWEIGHT ALUMINUM BACKPLATE
- ◆ STAINLESS STEEL V-BAND AND T4 TWIN SCROLL TURBINE HOUSINGS

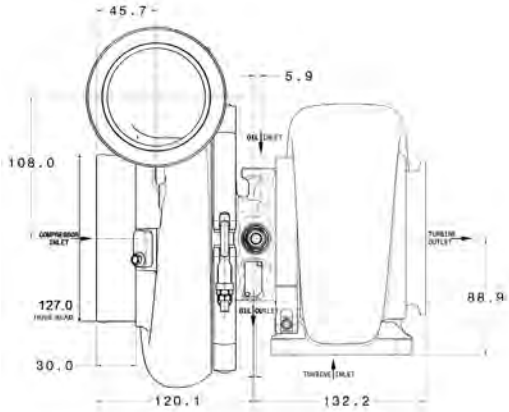
EXHAUST FLOW CHART



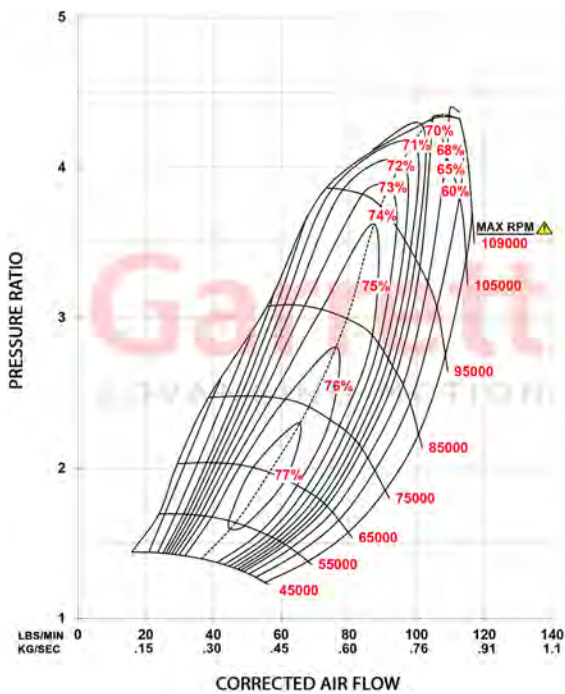
G45-1125	Compressor				Turbine		
	Inducer	Exducer	Trim	A/R	Inducer	Exducer	Trim
HP: 600-1125 Disp: 2.0L-8.0L	67mm	102mm	44	0.85	89mm	82mm	84
Supercore	PN						
Standard Rotation	888169-5003S						
Turbine Kits: G45	PN		A/R	Inlet	Outlet	Wastegate	Divided
Interchangeable with G45-1125	757707-0019		1.01	V-Band	V-Band	Free Float	N
G45-1350 G45-1500	757707-0020		1.15	V-Band	V-Band	Free Float	N
Supercores	757707-0021		1.28	V-Band	V-Band	Free Float	N
	757707-0022		1.44	V-Band	V-Band	Free Float	N
	757707-0023		1.01	T4	V-Band	Free Float	Y
	757707-0024		1.15	T4	V-Band	Free Float	Y
	757707-0025		1.28	T4	V-Band	Free Float	Y
	757707-0026		1.44	T4	V-Band	Free Float	Y

Garrett G45-1350

Horsepower: 650 - 1350
Displacement: 2.0L - 8.0L



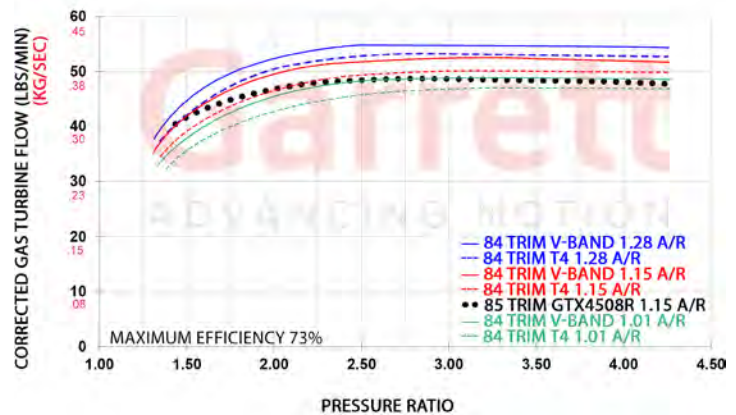
COMPRESSOR MAP



FEATURES:

- ◆ COMPRESSOR AERO INCREASES FLOW UP TO 15% (COMPARED TO GTX4502R 72MM)
- ◆ 72MM COMPRESSOR INDUCER | 102MM COMPRESSOR EXDUCER
- ◆ 10MM CERAMIC DUAL BALL BEARING WITH STEEL CAGES
- ◆ G SERIES TURBINE AERO INCREASES FLOW 14% (COMPARED TO GTX45R)
- ◆ 89MM INCONEL TURBINE WHEEL INDUCER FLOWS UP TO 56 LBS/MIN
- ◆ LIGHTWEIGHT ALUMINUM BACKPLATE
- ◆ STAINLESS STEEL V-BAND AND T4 TWIN SCROLL TURBINE HOUSINGS

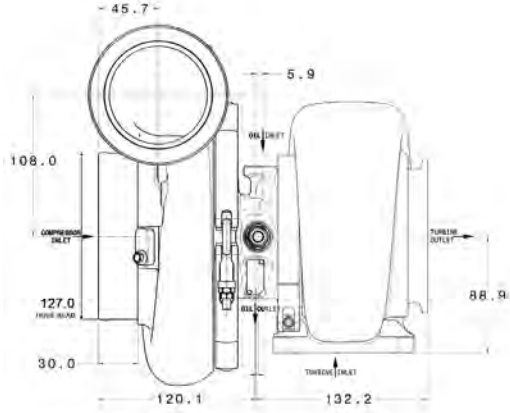
EXHAUST FLOW CHART



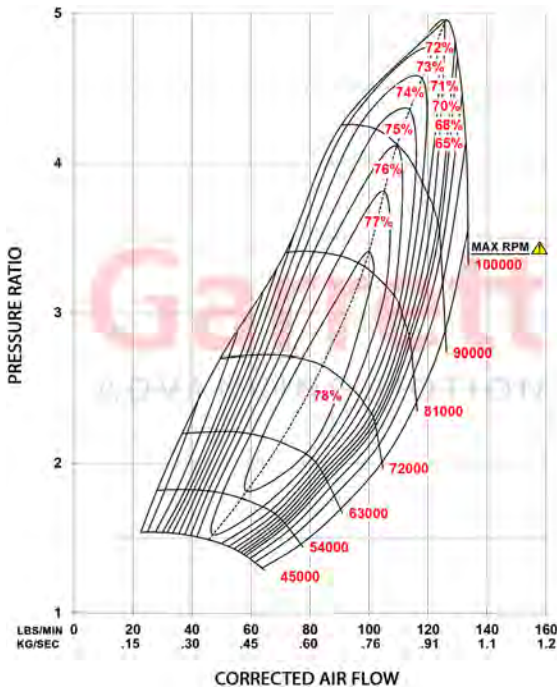
G45-1350	Compressor				Turbine		
	Inducer	Exducer	Trim	A/R	Inducer	Exducer	Trim
HP: 650-1350 Disp: 2.0L-8.0L	72mm	102mm	51	0.85	89mm	82mm	84
Supercore	PN						
Standard Rotation	888169-5004S						
Turbine Kits: G45	PN		A/R	Inlet	Outlet	Wastegate	Divided
Interchangeable with G45-1125	757707-0019		1.01	V-Band	V-Band	Free Float	N
G45-1350 G45-1500	757707-0020		1.15	V-Band	V-Band	Free Float	N
Supercores	757707-0021		1.28	V-Band	V-Band	Free Float	N
	757707-0022		1.44	V-Band	V-Band	Free Float	N
	757707-0023		1.01	T4	V-Band	Free Float	Y
	757707-0024		1.15	T4	V-Band	Free Float	Y
	757707-0025		1.28	T4	V-Band	Free Float	Y
	757707-0026		1.44	T4	V-Band	Free Float	Y

Garrett G45-1500

Horsepower: 750 - 1500
Displacement: 2.0L - 8.0L



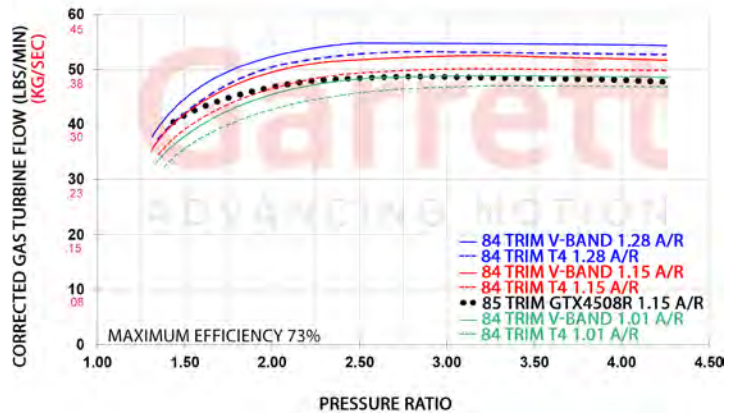
COMPRESSOR MAP



FEATURES:

- ◆ COMPRESSOR AERO INCREASES FLOW UP TO 18% (COMPARED TO GTX4508R 76MM)
- ◆ 76MM COMPRESSOR INDUCER | 102MM COMPRESSOR EXDUCER
- ◆ 10MM CERAMIC DUAL BALL BEARING WITH STEEL CAGES
- ◆ G SERIES TURBINE AERO INCREASES FLOW 14% (COMPARED TO GTX45R)
- ◆ 89MM INCONEL TURBINE WHEEL INDUCER FLOWS UP TO 56 LBS/MIN
- ◆ LIGHTWEIGHT ALUMINUM BACKPLATE
- ◆ STAINLESS STEEL V-BAND AND T4 TWIN SCROLL TURBINE HOUSINGS

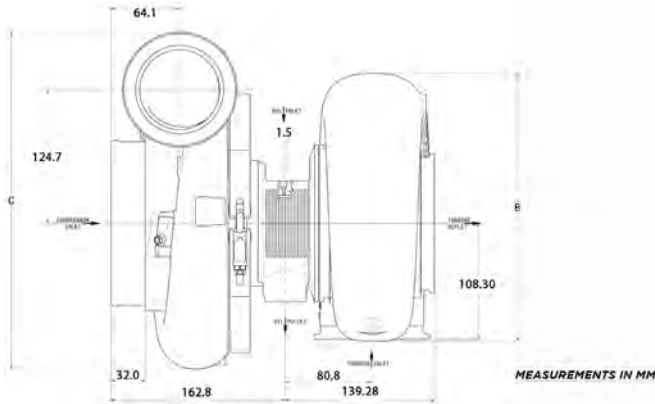
EXHAUST FLOW CHART



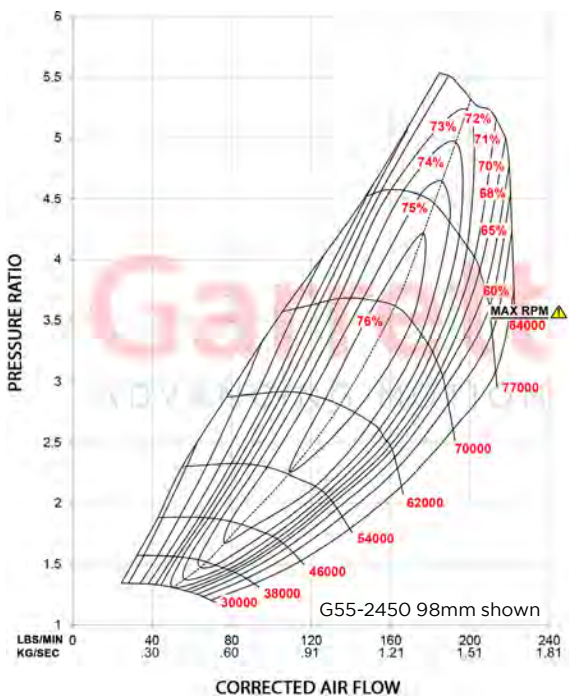
G45-1500	Compressor				Turbine		
	Inducer	Exducer	Trim	A/R	Inducer	Exducer	Trim
HP: 750-1500 Disp: 2.0L-8.0L	76mm	109mm	49	0.85	89mm	82mm	84
Supercore	PN						
Standard Rotation	888169-5005S						
Turbine Kits: G45	PN		A/R	Inlet	Outlet	Wastegate	Divided
Interchangeable with G45-1125	757707-0019		1.01	V-Band	V-Band	Free Float	N
G45-1350 G45-1500	757707-0020		1.15	V-Band	V-Band	Free Float	N
Supercores	757707-0021		1.28	V-Band	V-Band	Free Float	N
	757707-0022		1.44	V-Band	V-Band	Free Float	N
	757707-0023		1.01	T4	V-Band	Free Float	Y
	757707-0024		1.15	T4	V-Band	Free Float	Y
	757707-0025		1.28	T4	V-Band	Free Float	Y
	757707-0026		1.44	T4	V-Band	Free Float	Y

Garrett G55-2900

Horsepower: 1000 - 2900
Displacement: 3.0L - 12.0L



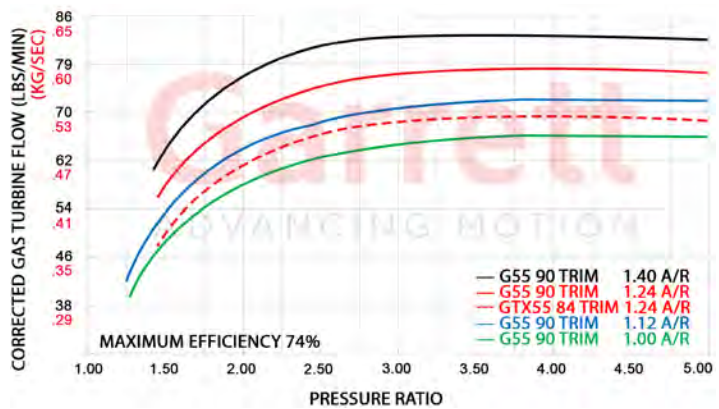
COMPRESSOR MAP



FEATURES:

- ◆ 85MM, 88MM, 91MM, 94MM, 98MM, 102MM, 106MM COMPRESSOR SIZES
- ◆ GTX GEN II COMPRESSOR AERODYNAMICS
- ◆ 106MM TURBINE EXDUCER (+4MM COMPARED TO GTX55)
- ◆ 15% MORE TURBINE FLOW (COMPARED TO GTX)
- ◆ 6% INCREASE IN SPOOL-UP PERFORMANCE
- ◆ STAINLESS STEEL TURBINE HOUSINGS IN T6 AND V-BAND INLET
- ◆ ONE-PIECE ALUMINUM CENTER HOUSING (28% LIGHTER)
- ◆ 16MM CERAMIC DUAL BALL BEARING WITH STEEL CAGES
- ◆ OUTLINE INTERCHANGEABLE WITH GTX GEN II TURBOS

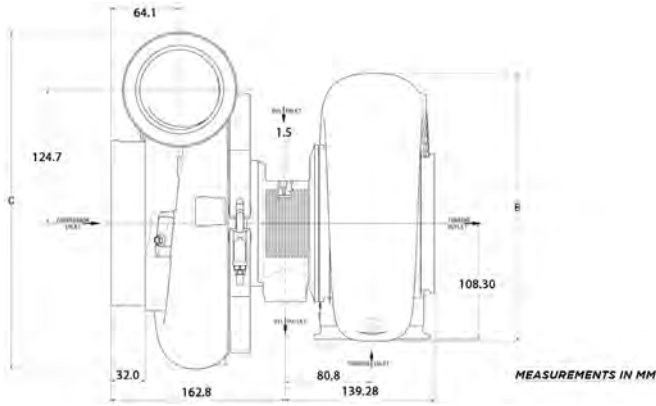
EXHAUST FLOW CHART



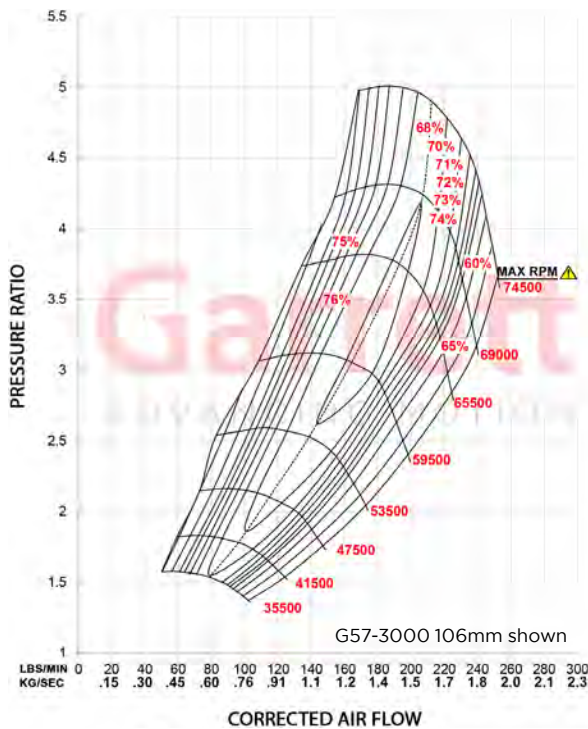
G Series G55		Compressor			Turbine		
HP: 1000-2900	Disp: 3.0L-12.0L	Inducer	Exducer	A/R	Inducer	Exducer	Trim
Supercore	PN						
G55-1850	880547-5001S	85mm	133mm	0.88	112mm	106mm	90
G55-1950	880547-5002S	88mm	133mm	0.88	112mm	106mm	90
G55-2100	880547-5003S	91mm	133mm	0.96	112mm	106mm	90
G55-2250	880547-5004S	94mm	133mm	0.96	112mm	106mm	90
G55-2450	880547-5005S	98mm	133mm	0.96	112mm	106mm	90
G55-2650	880547-5021S	102mm	144mm	0.96	112mm	106mm	90
G55-2900	880547-5022S	106mm	144mm	0.96	112mm	106mm	90
Turbine Kits: G55		PN	A/R	Inlet	Outlet	Wastegate	Divided
Interchangeable with G55 Supercores		761208-0069	1.24	V-Band	V-Band	Free Float	N
		761208-0070	1.40	V-Band	V-Band	Free Float	N
		761208-0071	1.00	T6	V-Band	Free Float	N
		761208-0072	1.12	T6	V-Band	Free Float	N
		761208-0073	1.24	T6	V-Band	Free Float	N
		761208-0074	1.40	T6	V-Band	Free Float	N

Garrett G57-3000

Horsepower: 1400 - 3000
Displacement: 3.0L - 12.0L



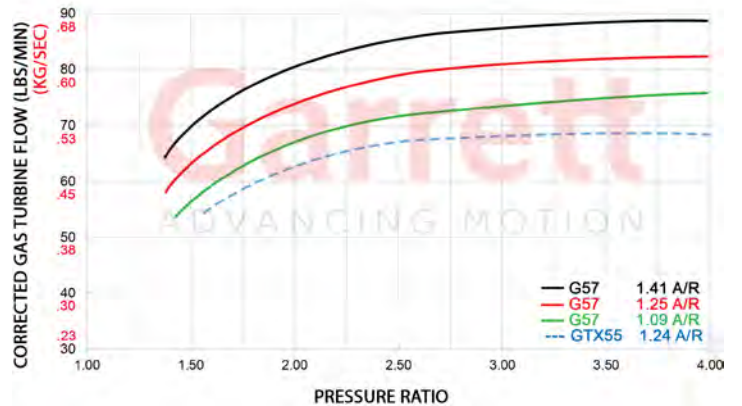
COMPRESSOR MAP



FEATURES:

- ◆ 88MM, 94MM, 98MM, 102MM, 106MM COMPRESSOR OPTIONS
- ◆ 118MM INDUCER TURBINE WHEEL
- ◆ 28% MORE TURBINE FLOW (COMPARED TO GTX) SEE GRAPH BELOW
- ◆ STAINLESS STEEL TURBINE HOUSINGS
- ◆ ONE-PIECE ALUMINUM CENTER HOUSING
- ◆ 16MM CERAMIC DUAL BALL BEARING WITH STEEL CAGES
- ◆ OUTLINE INTERCHANGEABLE WITH GTX GEN II TURBOS
- ◆ STAINLESS STEEL TURBINE KIT SOLD INDIVIDUALLY. 1.09 A/R, 1.25 A/R, 1.41 A/R

EXHAUST FLOW CHART



G Series G57		Compressor			Turbine		
HP: 1400-3000	Disp: 3.0L-12.0L	Inducer	Exducer	A/R	Inducer	Exducer	Trim
Supercore	PN						
G57-2000	880547-5031S	88mm	133mm	0.88	118mm	112mm	90
G57-2350	880547-5032S	94mm	133mm	0.96	118mm	112mm	90
G57-2550	880547-5033S	98mm	133mm	0.96	118mm	112mm	90
G57-2750	880547-5029S	102mm	144mm	0.96	118mm	112mm	90
G57-3000	880547-5030S	106mm	144mm	0.96	118mm	112mm	90
Turbine Kits: G57		PN	A/R	Inlet	Outlet	Wastegate	Divided
Interchangeable with G57		761208-0083	1.09	V-Band	V-Band	Free Float	N
Supercores		761208-0084	1.25	V-Band	V-Band	Free Float	N
		761208-0085	1.41	V-Band	V-Band	Free Float	N

GTX SERIES

GTX and GTX Gen II Series turbochargers are an evolution of the GT Series product line. The original architecture of the GT Series turbos remains however many design and performance features have been introduced over time. Ceramic dual ball bearings and forged fully-machined compressor wheels with GTX and GTX Gen II aerodynamics provide a larger horsepower range and maximize boost response.

The water cooled center housing keeps housing temperatures to a minimum. The turbine wheel is constructed from Inconel, a super alloy that maintains strength over prolonged exposure to high exhaust gas temperatures.

Turbine kits are offered in open volute and twin scroll, and a variety of A/R and flange configurations from T25, T3, T4, T6, and V-band.

GEN II PRODUCT UPDATES UPDATED FEATURES ON SELECT GTX TURBOCHARGERS



GEN II COMPRESSOR AERODYNAMICS FOR INCREASED HORSEPOWER RANGE (GTX28/30/35/47/50/ 55)
FULLY MACHINED SPEED SENSOR PORT FOR DATA ACQUISITION (GTX28/30/35/47/50/55)
LIGHTWEIGHT ALUMINUM BACKPLATE FOR WEIGHT REDUCTION (GTX47/50/55)

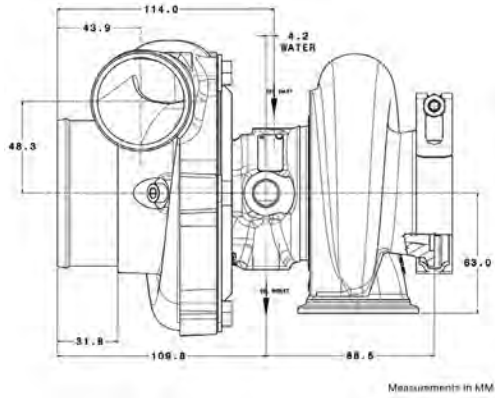




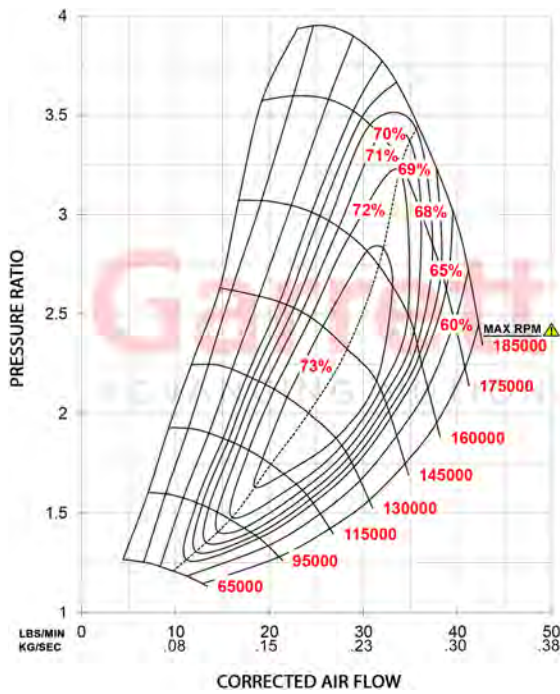
Justin Martin | LDR | GTX5533R Gen II 88mm

Garrett GTX2860R GEN II

Horsepower: 200 - 475
Displacement: 1.4L - 2.5L



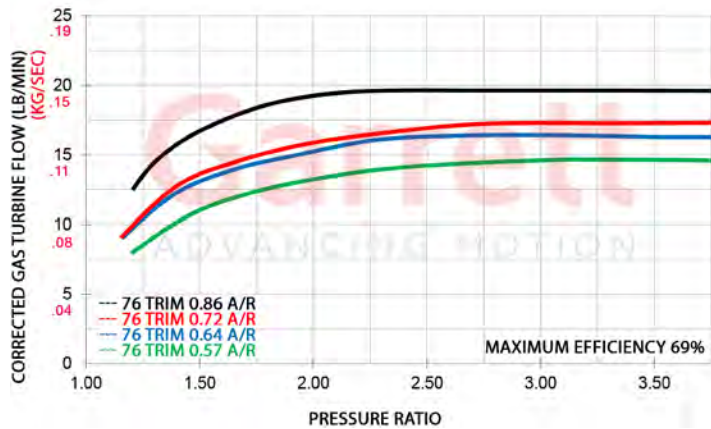
COMPRESSOR MAP



FEATURES:

- ◆ GEN 2 AERODYNAMICS FEATURE INCREASED HORSEPOWER RANGE
- ◆ IMPROVED PORTED SHROUD DESIGN FOR SURGE RESISTANCE
- ◆ FULLY-MACHINED SPEED SENSOR PORT. DETAILS ON PG. 80
- ◆ WASTEGATE ACTUATORS & BRACKET KIT AVAILABLE ON PG. 81

EXHAUST FLOW CHART

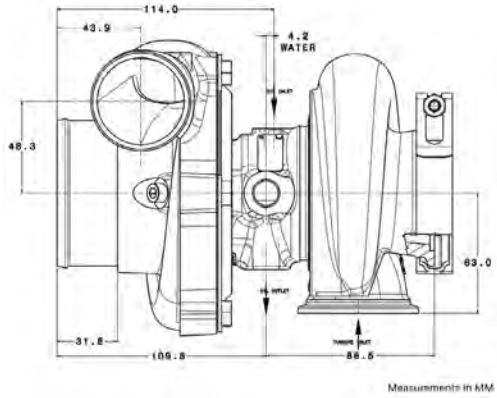


GTX2860R Gen II		Compressor				Turbine		
		<i>Inducer</i>	<i>Exducer</i>	<i>Trim</i>	<i>A/R</i>	<i>Inducer</i>	<i>Exducer</i>	<i>Trim</i>
HP: 200-475	Disp: 1.4L-2.5L	46mm	60mm	58	0.60	54mm	47mm	76
Supercore	Assembly Kit	Turbine Kit		A/R	Inlet	Outlet	Wastegate	Divided
849894-5001S	856800-5003S	827690-0001		0.57	V-Band	V-Band	Free Float	N
	856800-5004S	827690-0002		0.72	V-Band	V-Band	Free Float	N
Assembly Kit PN Includes	856800-5001S	827690-0003		0.64	T25	5 bolt	Wastegated	N
Supercore and Turbine Kit	856800-5002S	827690-0004		0.86	T25	5 bolt	Wastegated	N

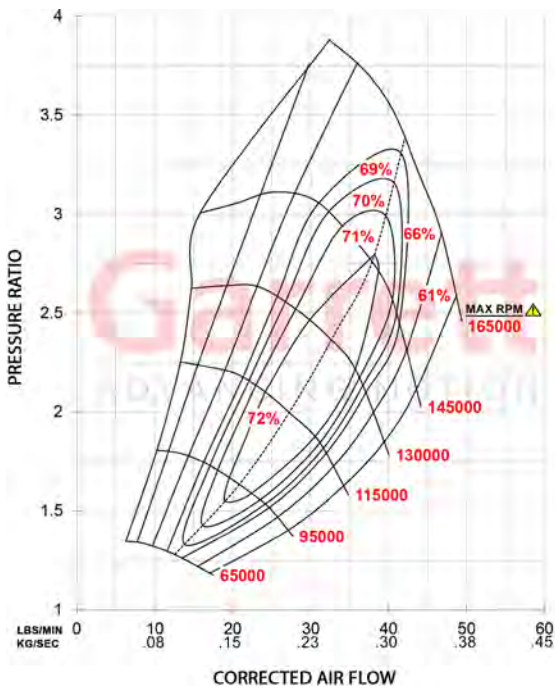
Garrett GTX2867R GEN II

Horsepower: 275 - 550

Displacement: 1.4L - 2.5L



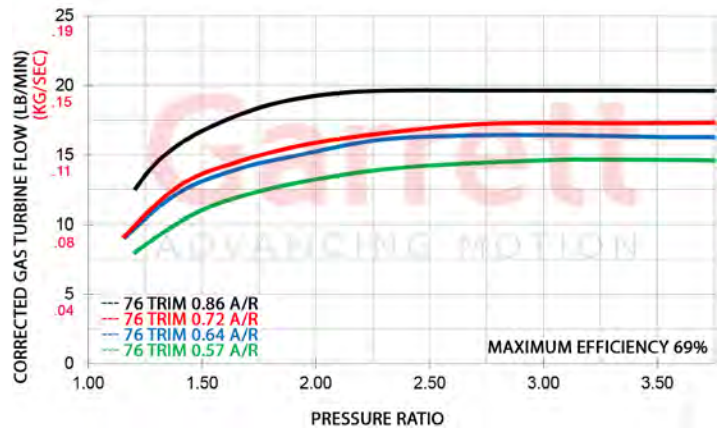
COMPRESSOR MAP



FEATURES:

- ◆ GEN 2 AERODYNAMICS FEATURE INCREASED HORSEPOWER RANGE
- ◆ IMPROVED PORTED SHROUD DESIGN FOR SURGE RESISTANCE
- ◆ FULLY-MACHINED SPEED SENSOR PORT. DETAILS ON PG. 80
- ◆ WASTEGATE ACTUATORS & BRACKET KIT AVAILABLE ON PG. 81

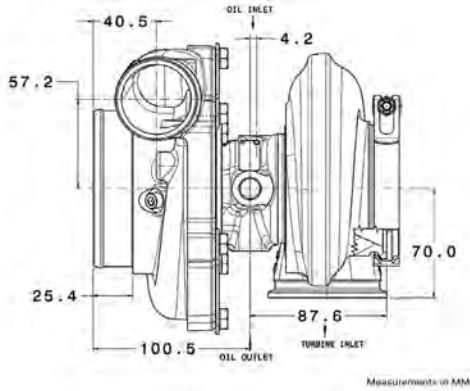
EXHAUST FLOW CHART



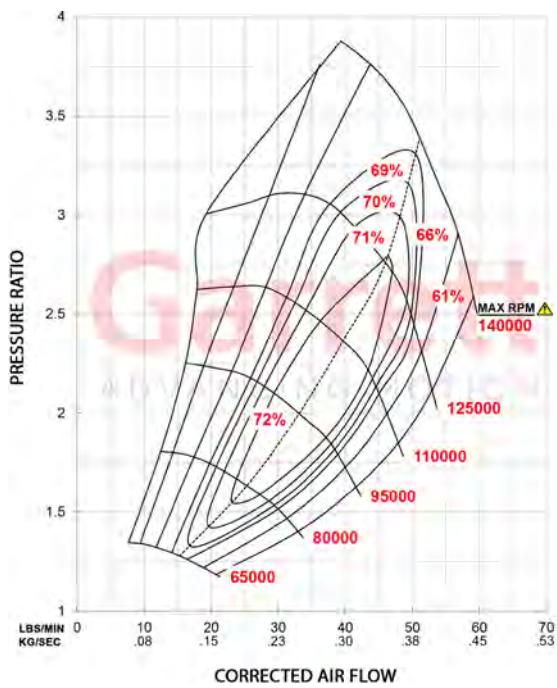
GTX2867R Gen II		Compressor				Turbine		
		Inducer 50mm	Exducer 67mm	Trim 55	A/R 0.60	Inducer 54mm	Exducer 47mm	Trim 76
HP: 275-550	Disp: 1.4L-2.5L	Turbine Kit		A/R	Inlet	Outlet	Wastegate	Divided
Supercore 849894-5002S	Assembly Kit 856800-5007S	827690-0001		0.57	V-Band	V-Band	Free Float	N
	856800-5008S	827690-0002		0.72	V-Band	V-Band	Free Float	N
Assembly Kit PN Includes	856800-5005S	827690-0003		0.64	T25	5 bolt	Wastegated	N
Supercore and Turbine Kit	856800-5006S	827690-0004		0.86	T25	5 bolt	Wastegated	N

Garrett GTX3071R GEN II

Horsepower: 340 - 675
Displacement: 1.8L - 3.0L



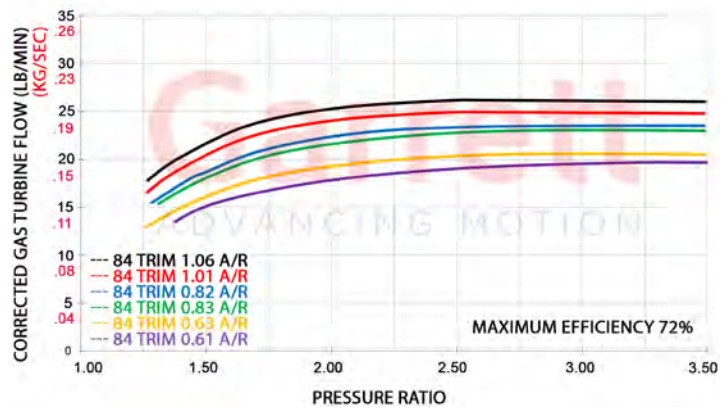
COMPRESSOR MAP



FEATURES:

- ◆ GEN 2 AERODYNAMICS FEATURE INCREASED HORSEPOWER RANGE
- ◆ FULLY-MACHINED SPEED SENSOR PORT. DETAILS ON PG. 80
- ◆ WASTEGATE ACTUATORS & BRACKET KIT AVAILABLE ON PG. 81
- ◆ REVERSE ROTATION CONFIGURATIONS AVAILABLE

EXHAUST FLOW CHART

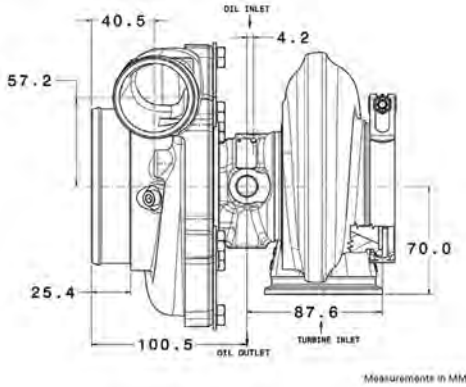


GTX3071R Gen II		Compressor				Turbine		
		Inducer	Exducer	Trim	A/R	Inducer	Exducer	Trim
HP: 340-675	Disp: 1.8L-3.0L	54mm	71mm	58	0.60	60mm	55mm	84
Supercore	Assembly Kit	Turbine Kit		A/R	Inlet	Outlet	Wastegate	Divided
851154-5002S	856801-5006S	740902-0009		0.63	T3	V-Band	Free Float	N
	856801-5005S	740902-0008		0.82	T3	V-Band	Free Float	N
		740902-0007		1.06	T3	V-Band	Free Float	N
	856801-5018S	740902-0036		0.61	V-Band	V-Band	Free Float	N
	856801-5017S	740902-0035		0.83	V-Band	V-Band	Free Float	N
		740902-0034		1.01	V-Band	V-Band	Free Float	N
		771300-0006		0.63	T3	5 bolt	Wastegated	N
Assembly Kit PN Includes		771300-0005		0.82	T3	5 bolt	Wastegated	N
Supercore and Turbine Kit		771300-0004		1.06	T3	5 bolt	Wastegated	N
Reverse Rotation	Supercore	Turbine Kit		A/R	Inlet	Outlet	Wastegate	Divided
	844621-5003S	740902-0053		0.61	V-Band	V-Band	Free Float	N
		740902-0054		0.83	V-Band	V-Band	Free Float	N
		740902-0055		1.01	V-Band	V-Band	Free Float	N

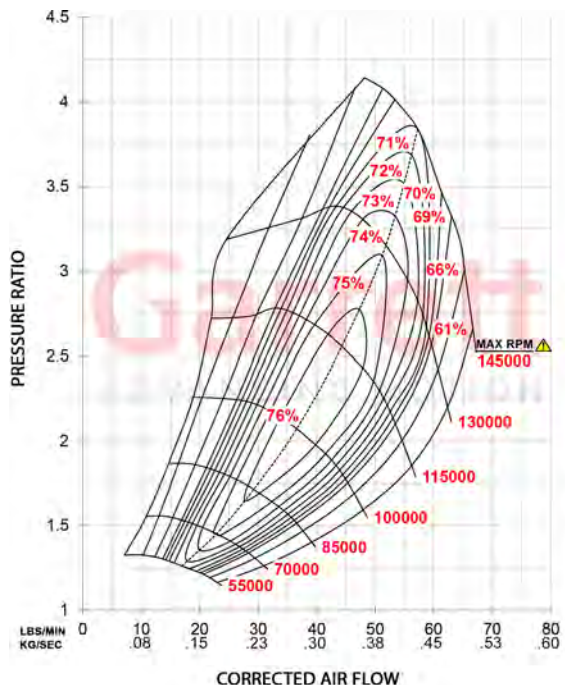
Garrett GTX3076R GEN II



Horsepower: 400 - 750
Displacement: 1.8L - 3.0L

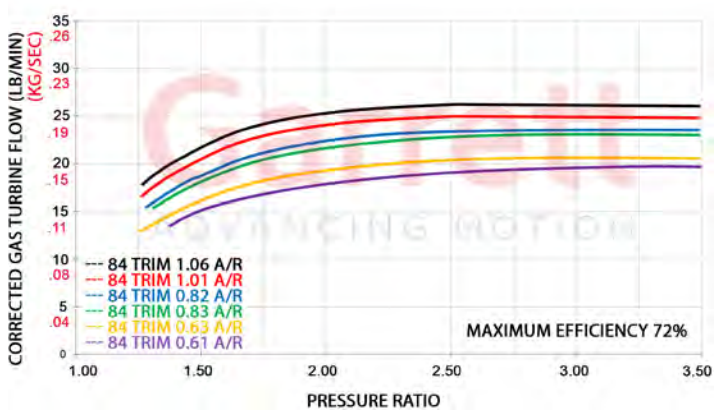


COMPRESSOR MAP



- FEATURES:**
- ◆ GEN 2 AERODYNAMICS FEATURE INCREASED HORSEPOWER RANGE
 - ◆ FULLY-MACHINED SPEED SENSOR PORT. DETAILS ON PG. 80
 - ◆ WASTEGATE ACTUATORS & BRACKET KIT AVAILABLE ON PG. 81
 - ◆ REVERSE ROTATION OPTIONS AVAILABLE

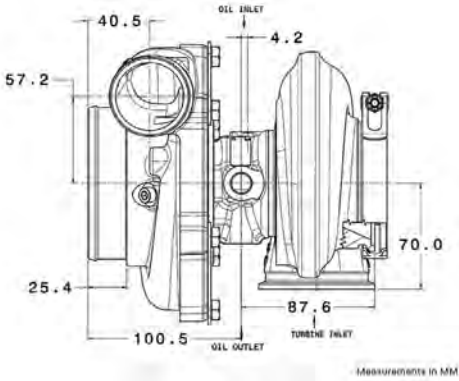
EXHAUST FLOW CHART



GTX3076R Gen II		Compressor				Turbine			
		<i>Inducer</i>	<i>Exducer</i>	<i>Trim</i>	<i>A/R</i>	<i>Inducer</i>	<i>Exducer</i>	<i>Trim</i>	
HP: 400-750	Disp: 1.8L-3.0L	58mm	76mm	58	0.60	60mm	55mm	84	
Supercore	Assembly Kit	Turbine Kit		A/R	Inlet	Outlet	Wastegate	Divided	
851154-5001S	856801-5027S	740902-0009		0.63	T3	V-Band	Free Float	N	
	856801-5026S	740902-0008		0.82	T3	V-Band	Free Float	N	
		740902-0007		1.06	T3	V-Band	Free Float	N	
	856801-5039S	740902-0036		0.61	V-Band	V-Band	Free Float	N	
	856801-5038S	740902-0035		0.83	V-Band	V-Band	Free Float	N	
	856801-5037S	740902-0034		1.01	V-Band	V-Band	Free Float	N	
Assembly Kit PN Includes Supercore and Turbine Kit		771300-0006		0.63	T3	5 bolt	Wastegated	N	
		771300-0005		0.82	T3	5 bolt	Wastegated	N	
		771300-0004		1.06	T3	5 bolt	Wastegated	N	
Reverse Rotation		Supercore	Turbine Kit		A/R	Inlet	Outlet	Wastegate	Divided
		844621-5004S	740902-0053		0.61	V-Band	V-Band	Free Float	N
			740902-0054		0.83	V-Band	V-Band	Free Float	N
			740902-0055		1.01	V-Band	V-Band	Free Float	N

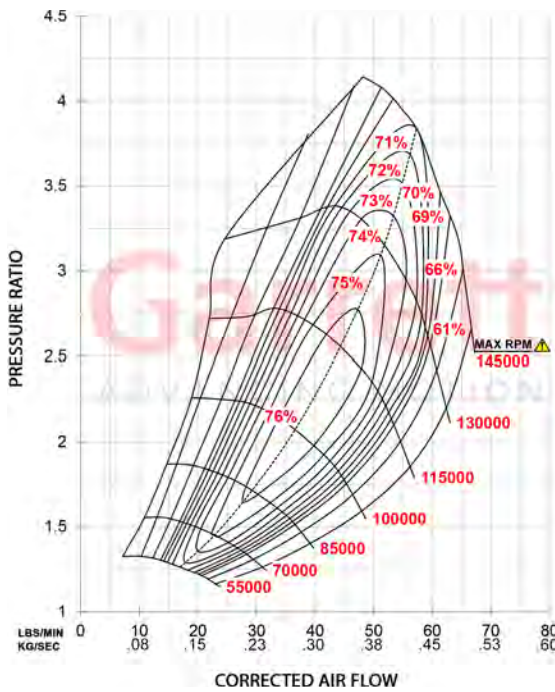
Garrett GTX3576R GEN II

Horsepower: 400 - 750
Displacement: 2.0L- 4.5L



REVERSE ROTATION

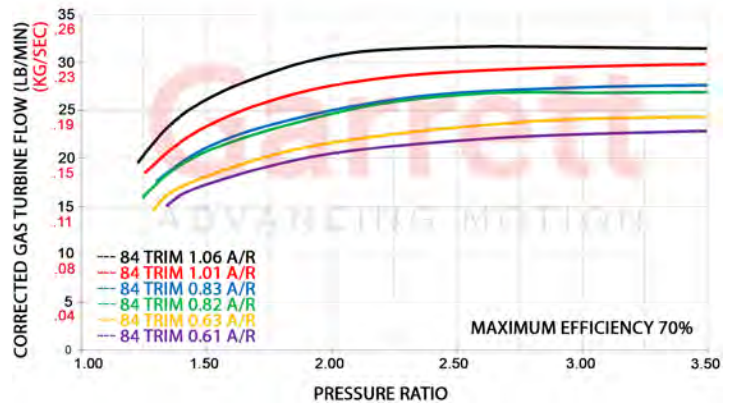
COMPRESSOR MAP



FEATURES:

- ◆ GEN 2 AERODYNAMICS FEATURE INCREASED HORSEPOWER RANGE
- ◆ FULLY-MACHINED SPEED SENSOR PORT. DETAILS ON PG. 80
- ◆ REVERSE ROTATION OPTIONS AVAILABLE

EXHAUST FLOW CHART

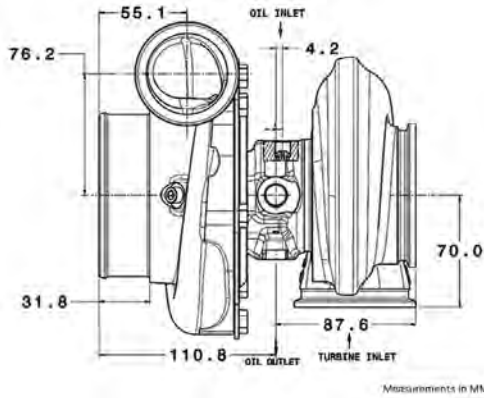


GTX3576R Gen II		Compressor				Turbine		
		Inducer	Exducer	Trim	A/R	Inducer	Exducer	Trim
HP: 400-750	Disp: 2.0L-4.5L	58mm	76mm	58	0.60	68mm	62mm	84
Supercore	Assembly Kit	Turbine Kit		A/R	Inlet	Outlet	Wastegate	Divided
851154-5003S	856801-5047S	740902-0012		0.63	T3	V-Band	Free Float	N
		740902-0011		0.82	T3	V-Band	Free Float	N
		740902-0010		1.06	T3	V-Band	Free Float	N
	856801-5050S	740902-0018		0.63	T4	V-Band	Free Float	N
				0.82	T4	V-Band	Free Float	N
		740902-0016		1.06	T4	V-Band	Free Float	N
			740902-0033		0.61	V-Band	V-Band	Free Float
Assembly Kit PN Includes Supercore and Turbine Kit	856801-5059S	740902-0032		0.83	V-Band	V-Band	Free Float	N
	856801-5058S	740902-0031		1.01	V-Band	V-Band	Free Float	N
Reverse Rotation		Turbine Kit		A/R	Inlet	Outlet	Wastegate	Divided
844626-5003S	Supercore	740902-0056		0.61	V-Band	V-Band	Free Float	N
		740902-0057		0.83	V-Band	V-Band	Free Float	N
		740902-0058		1.01	V-Band	V-Band	Free Float	N

Garrett GTX3582R GEN II

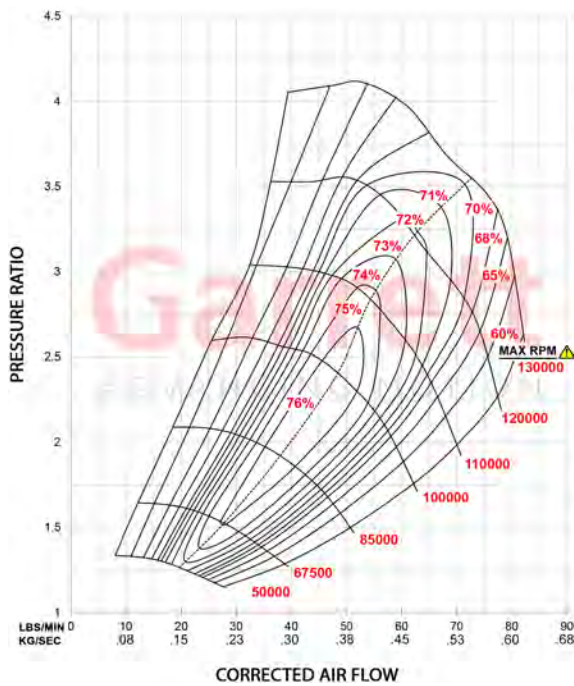


Horsepower: 450 - 900
Displacement: 2.0L - 4.5L



REVERSE ROTATION

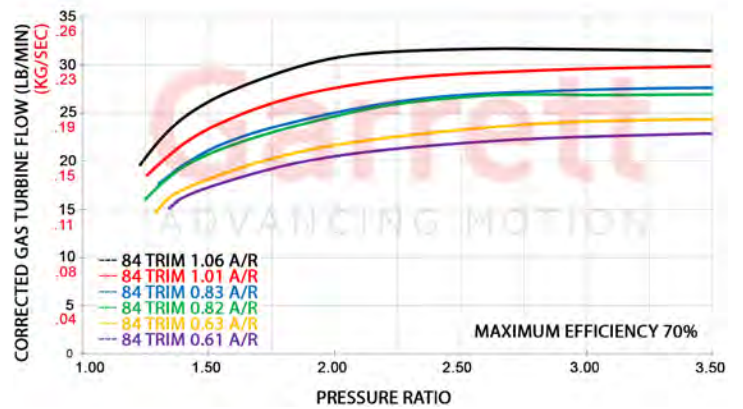
COMPRESSOR MAP



FEATURES:

- ◆ GEN 2 AERODYNAMICS FEATURE INCREASED HORSEPOWER RANGE
- ◆ FULLY-MACHINED SPEED SENSOR PORT. DETAILS ON PG. 80
- ◆ REVERSE ROTATION OPTIONS AVAILABLE

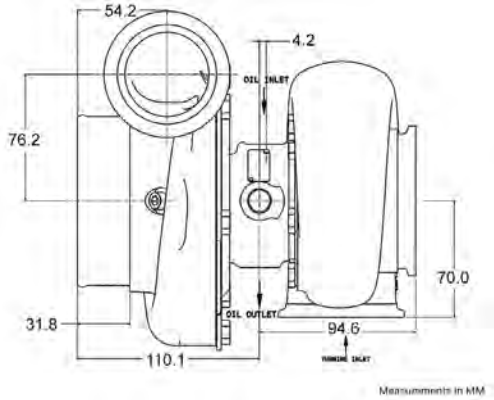
EXHAUST FLOW CHART



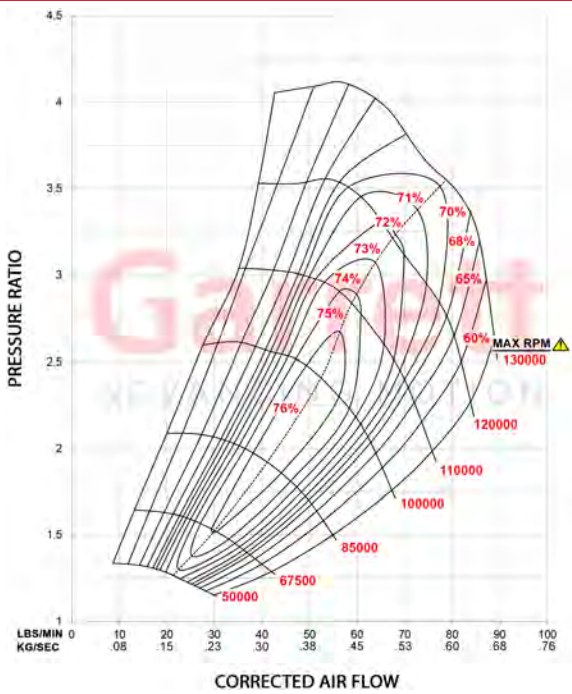
GTX3582R Gen II		Compressor				Turbine		
		Inducer	Exducer	Trim	A/R	Inducer	Exducer	Trim
HP: 450-900	Disp: 2.0L-4.5L	66mm	82mm	64	0.70	68mm	62mm	84
Supercore	Assembly Kit	Turbine Kit		A/R	Inlet	Outlet	Wastegate	Divided
851154-5004S	856801-5069S	740902-0012		0.63	T3	V-Band	Free Float	N
	856801-5068S	740902-0011		0.82	T3	V-Band	Free Float	N
	856801-5067S	740902-0010		1.06	T3	V-Band	Free Float	N
		740902-0018		0.63	T4	V-Band	Free Float	N
		740902-0017		0.82	T4	V-Band	Free Float	N
	856801-5070S	740902-0016		1.06	T4	V-Band	Free Float	N
	856801-5081S	740902-0033		0.61	V-Band	V-Band	Free Float	N
Assembly Kit PN Includes	856801-5080S	740902-0032		0.83	V-Band	V-Band	Free Float	N
Supercore and Turbine Kit	856801-5079S	740902-0031		1.01	V-Band	V-Band	Free Float	N
Reverse Rotation	Supercore	Turbine Kit		A/R	Inlet	Outlet	Wastegate	Divided
	844626-5004S	740902-0056		0.61	V-Band	V-Band	Free Float	N
		740902-0057		0.83	V-Band	V-Band	Free Float	N
740902-0058		1.01	V-Band	V-Band	Free Float	N		

Garrett GTX3584RS

Horsepower: 550 - 1000
 Displacement: 2.0L - 5.5L



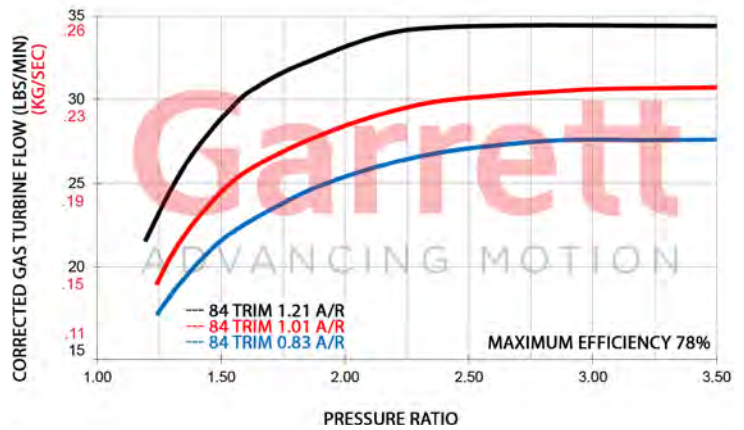
COMPRESSOR MAP



FEATURES:

- ◆ GEN 2 AERODYNAMICS FEATURE INCREASED HORSEPOWER RANGE
- ◆ "RS" HIGH FLOWING TURBINE WHEEL
- ◆ COMPACT DESIGN FOR TIGHT INSTALLATIONS
- ◆ FULLY-MACHINED SPEED SENSOR PORT. DETAILS ON PG. 80
- ◆ COMP OUTLET AVAILABLE IN V-BAND & HOSE CONNECTION

EXHAUST FLOW CHART

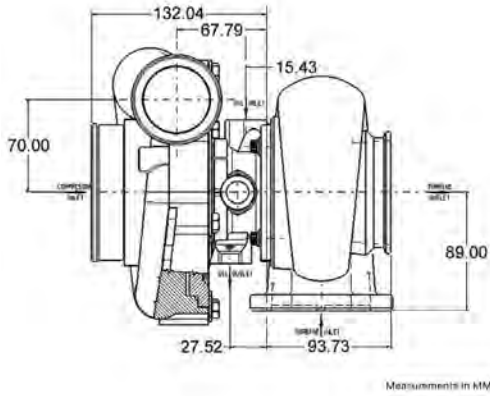


GTX3584RS		Compressor				Turbine		
		<i>Inducer</i>	<i>Exducer</i>	<i>Trim</i>	<i>A/R</i>	<i>Inducer</i>	<i>Exducer</i>	<i>Trim</i>
HP: 550-1000	Disp: 2.0L-5.5L	67mm	84mm	64	0.72	68mm	62mm	84
Supercore	Assembly Kit	Turbine Kit		A/R	Inlet	Outlet	Wastegate	Divided
846098-5001S	856804-5001S	740902-0067		0.83	V-Band	V-Band	Free Float	N
hose bead comp outlet	856804-5002S	740902-0066		1.01	V-Band	V-Band	Free Float	N
	856804-5003S	740902-0052		1.21	V-Band	V-Band	Free Float	N
846098-5002S	856804-5004S	740902-0067		0.83	V-Band	V-Band	Free Float	N
V-band comp outlet	856804-5005S	740902-0066		1.01	V-Band	V-Band	Free Float	N
	856804-5006S	740902-0052		1.21	V-Band	V-Band	Free Float	N

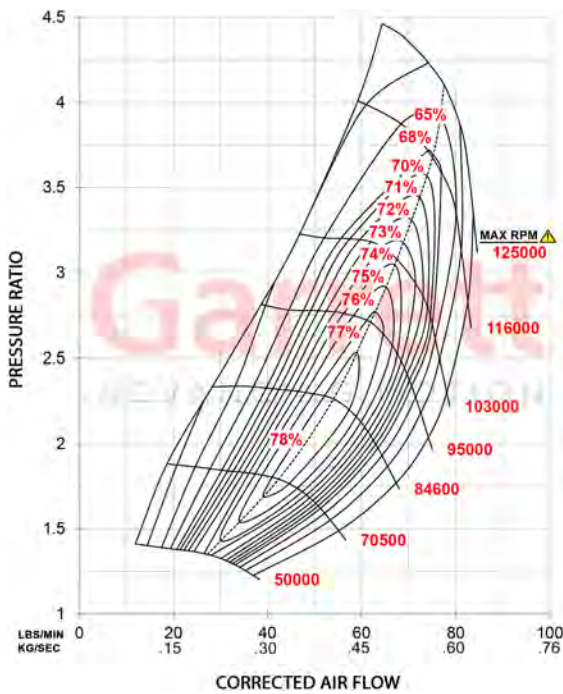
*GTX3584 turbine housings not compatible with GT/GTX35 housings

Garrett GTX4088R

Horsepower: 460 - 850
Displacement: 2.0L - 6.0L



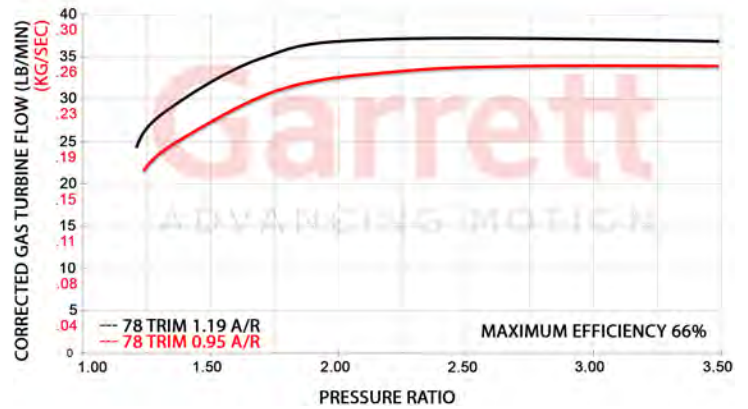
COMPRESSOR MAP



FEATURES:

- ◆ FEATURES ORIGINAL GTX COMP WHEEL AERODYNAMICS
- ◆ SUPERCORE AND TURBINE KIT SOLD SEPARATELY
- ◆ AVAILABLE ONLY WITH DIVIDED TURBINE HOUSINGS

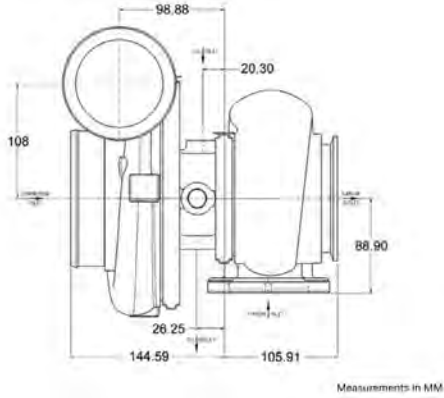
EXHAUST FLOW CHART



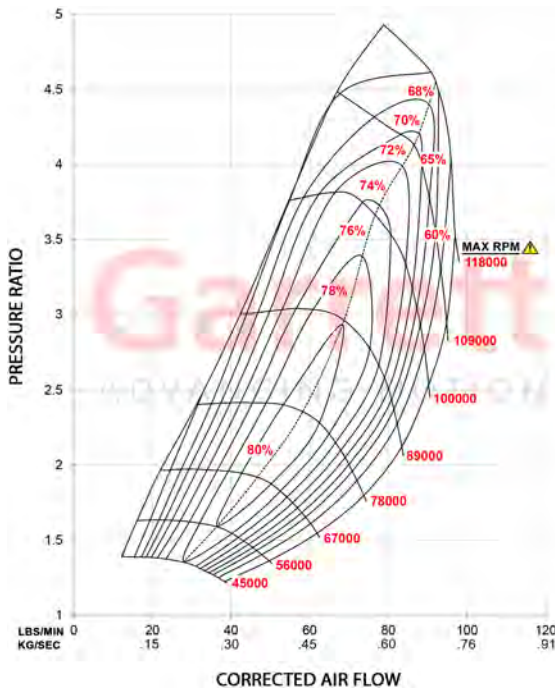
GTX4088R	Compressor				Turbine			
	HP: 460-850	Disp: 2.0L-6.0L	Inducer 65mm	Exducer 88mm	Trim 54	A/R 0.72	Inducer 77mm	Exducer 68mm
Supercore	PN							
Standard Rotation	825614-5005S							
Turbine Kits: GTX40	PN		A/R	Inlet	Outlet	Wastegate	Divided	
Interchangeable with GT GTX	773628-0011		0.95	T4	V-Band	Free Float	Y	
4088 Supercores	773628-0013		1.19	T4	V-Band	Free Float	Y	

Garrett GTX4294R

Horsepower: 475 - 950
Displacement: 2.0L - 7.0L



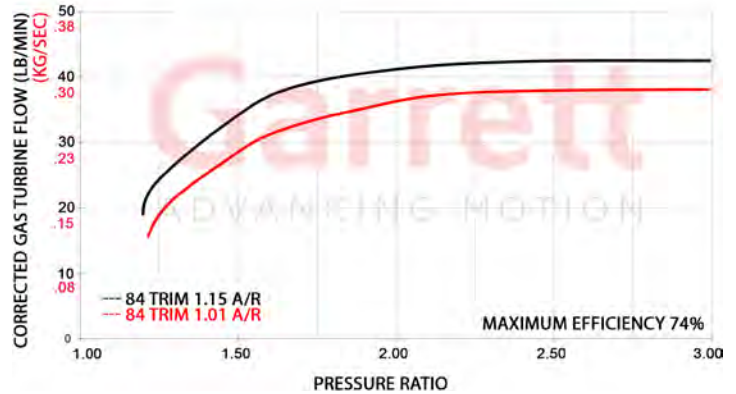
COMPRESSOR MAP



FEATURES:

- ◆ FEATURES ORIGINAL GTX COMP WHEEL AERODYNAMICS
- ◆ SUPERCORE AND TURBINE KIT SOLD SEPARATELY
- ◆ AVAILABLE ONLY WITH DIVIDED TURBINE HOUSINGS
- ◆ V-BAND COMPRESSOR OUTLET CONFIGURATION

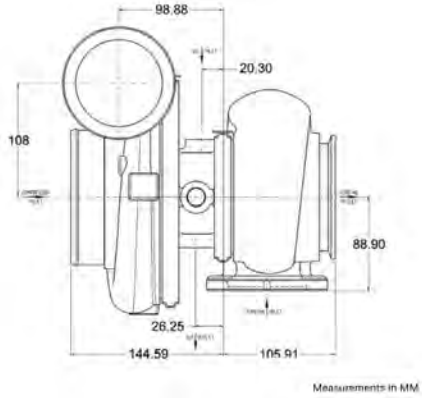
EXHAUST FLOW CHART



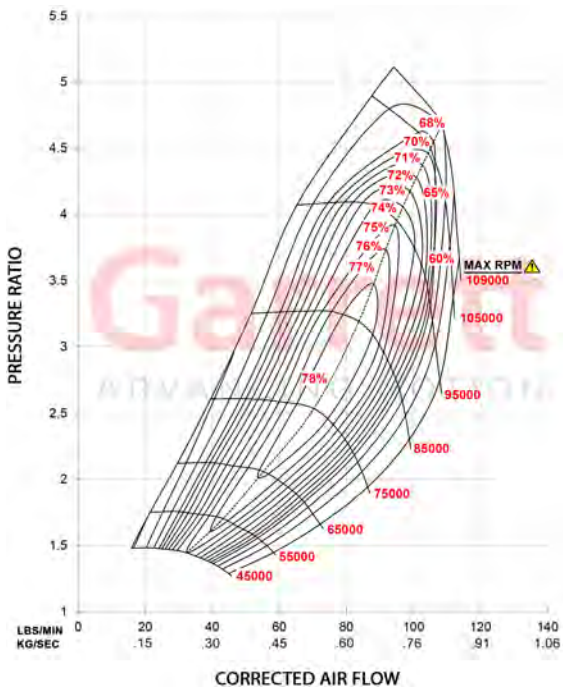
GTX4294R	Compressor				Turbine			
	HP: 475-950	Disp: 2.0L-7.0L	Inducer 70mm	Exducer 94mm	Trim 56	A/R 0.60	Inducer 82mm	Exducer 75mm
Supercore	PN							
Standard Rotation	800269-5001S							
Turbine Kits: GTX42			PN	A/R	Inlet	Outlet	Wastegate	Divided
Interchangeable with GT GTX 4294R 4202R Supercores			757707-0001	1.01	T4	V-Band	Free Float	Y
			757707-0002	1.15	T4	V-Band	Free Float	Y
			757707-0003	1.28	T4	V-Band	Free Float	Y
			757707-0004	1.44	T4	V-Band	Free Float	Y

Garrett GTX4202R

Horsepower: 525 - 1120
Displacement: 2.0L - 7.0L



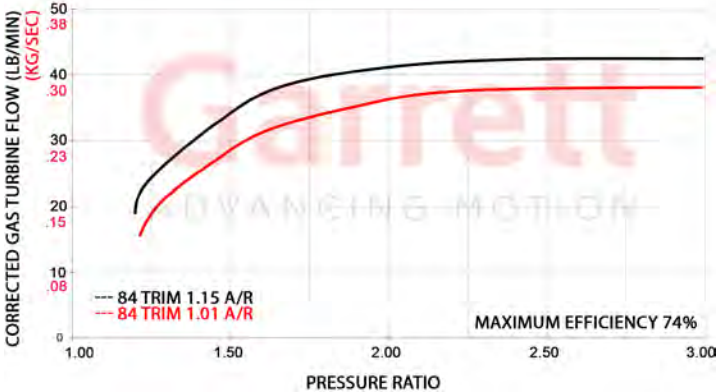
COMPRESSOR MAP



FEATURES:

- ◆ FEATURES ORIGINAL GTX COMP WHEEL AERODYNAMICS
- ◆ SUPERCORE AND TURBINE KIT SOLD SEPARATELY
- ◆ AVAILABLE ONLY WITH DIVIDED TURBINE HOUSINGS
- ◆ V-BAND COMPRESSOR OUTLET CONFIGURATION

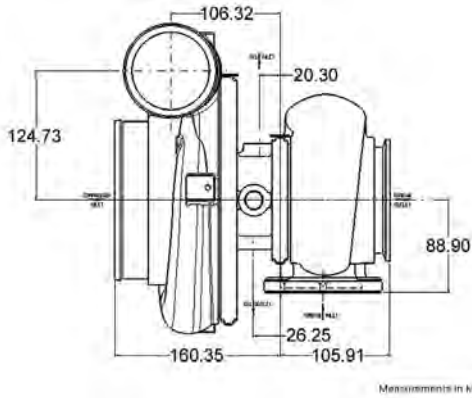
EXHAUST FLOW CHART



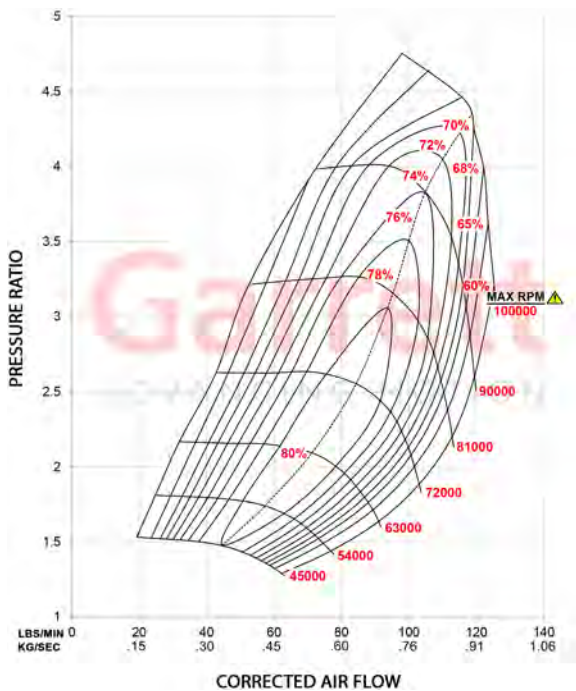
GTX4202R		Inducer	Exducer	Trim	A/R	Inducer	Exducer	Trim
HP: 525-1120	Disp: 2.0L-7.0L	76mm	102mm	55	0.60	82mm	75mm	84
Supercore		PN						
Standard Rotation		800269-5002S						
Turbine Kits: GTX42		PN		A/R	Inlet	Outlet	Wastegate	Divided
Interchangeable with GT GTX		757707-0001		1.01	T4	V-Band	Free Float	Y
4294R 4202R Supercores		757707-0002		1.15	T4	V-Band	Free Float	Y
		757707-0003		1.28	T4	V-Band	Free Float	Y
		757707-0004		1.44	T4	V-Band	Free Float	Y

Garrett GTX4508R

Horsepower: 700 - 1250
 Displacement: 2.0L - 8.0L



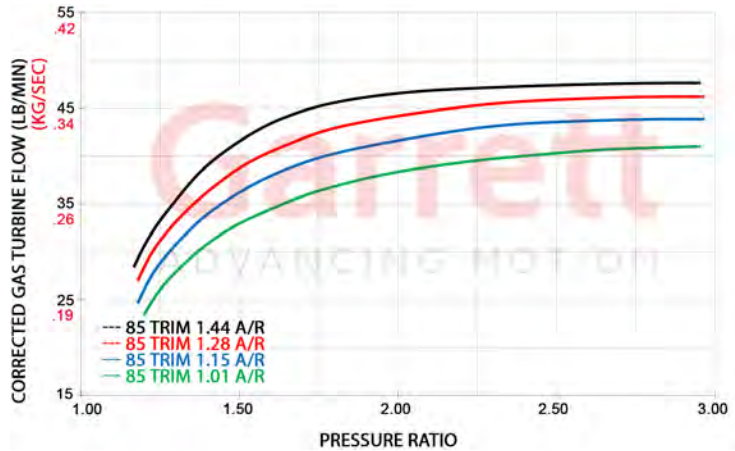
COMPRESSOR MAP



FEATURES:

- ◆ FEATURES ORIGINAL GTX COMP WHEEL AERODYNAMICS
- ◆ SUPERCORE AND TURBINE KIT SOLD SEPARATELY
- ◆ AVAILABLE ONLY WITH DIVIDED TURBINE HOUSINGS
- ◆ V-BAND COMPRESSOR OUTLET CONFIGURATION

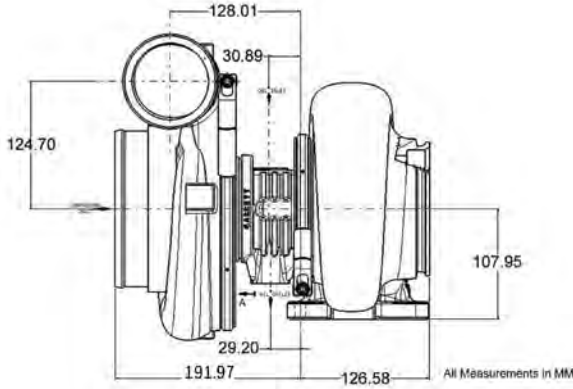
EXHAUST FLOW CHART



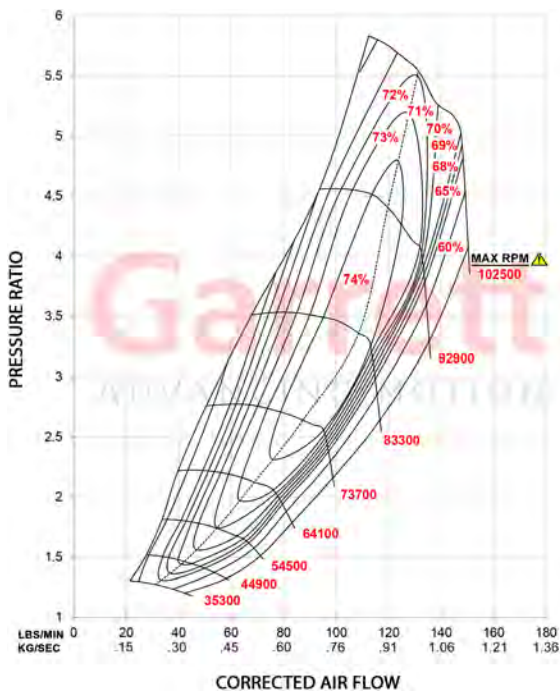
GTX4508R	Compressor				Turbine			
	HP: 700-1250	Disp: 2.0L-8.0L	Inducer 80mm	Exducer 108mm	Trim 55	A/R 0.69	Inducer 87mm	Exducer 80mm
Supercore	PN							
Standard Rotation	800270-5001S							
Turbine Kits: GTX45	PN		A/R	Inlet	Outlet	Wastegate	Divided	
Interchangeable with GT GTX	757707-0005		1.01	T4	V-Band	Free Float	Y	
4508 Supercores	757707-0006		1.15	T4	V-Band	Free Float	Y	
	757707-0007		1.28	T4	V-Band	Free Float	Y	
	757707-0008		1.44	T4	V-Band	Free Float	Y	

Garrett GTX4709R GEN II

Horsepower: 825 - 1625
Displacement: 2.0L - 10.0L



COMPRESSOR MAP



FEATURES:

- ◆ GEN 2 COMPRESSOR WHEEL AERODYNAMICS
- ◆ 15% INCREASED COMPRESSOR FLOW
- ◆ 76MM, 80MM, INDUCER CONFIGURATIONS
- ◆ .88 A/R COMPRESSOR HOUSING VOLUTE
- ◆ 39% LOWER INERTIA THAN PREVIOUS GENERATION
- ◆ SUPERCORE AND TURBINE HOUSING SOLD SEPARATELY
- ◆ COMPATIBLE WITH GT AND GTX GEN I TURBINE HOUSINGS

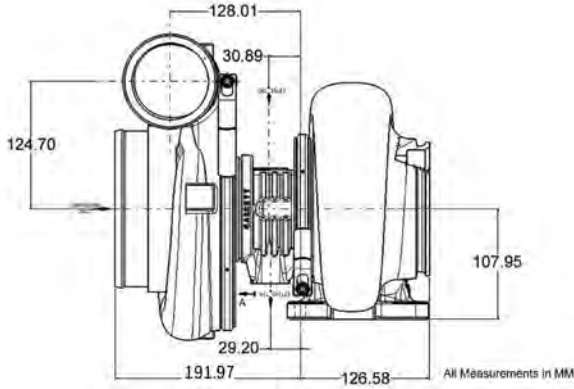
EXHAUST FLOW CHART



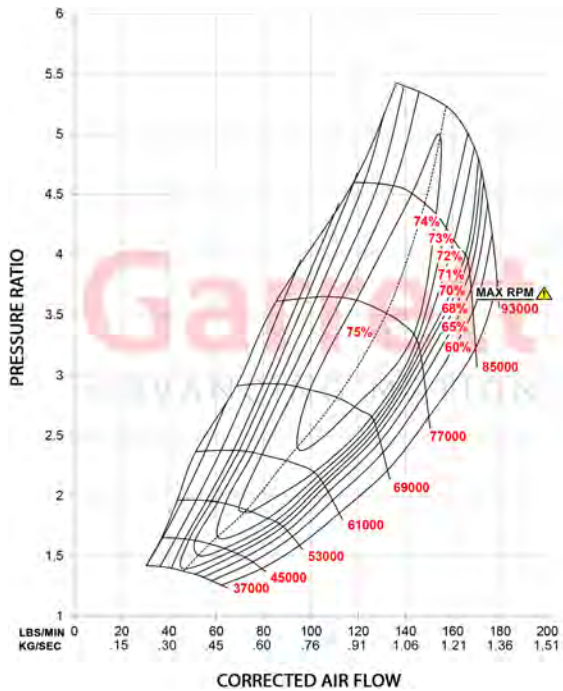
GTX4709R Gen II		Compressor				Turbine		
HP: 825-1625	Disp: 2.0L-10.0L	Inducer	Exducer	Trim	A/R	Inducer	Exducer	Trim
Supercore	PN							
	851285-5011S	76mm	109mm	49	0.88	93mm	84mm	82
	851285-5012S	80mm	109mm	54	0.88	93mm	84mm	82
Turbine Kits: GTX47		PN		A/R	Inlet	Outlet	Wastegate	Divided
Interchangeable with GT GTX		761208-0009		0.96	T6	V-Band	Free Float	N
4708 4709 4718 4720		761208-0010		1.08	T6	V-Band	Free Float	N
Supercores		761208-0011		1.23	T6	V-Band	Free Float	N
		761208-0012		1.39	T6	V-Band	Free Float	N

Garrett GTX4720R GEN II

Horsepower: 1025 - 1950
Displacement: 2.5L - 10.0L



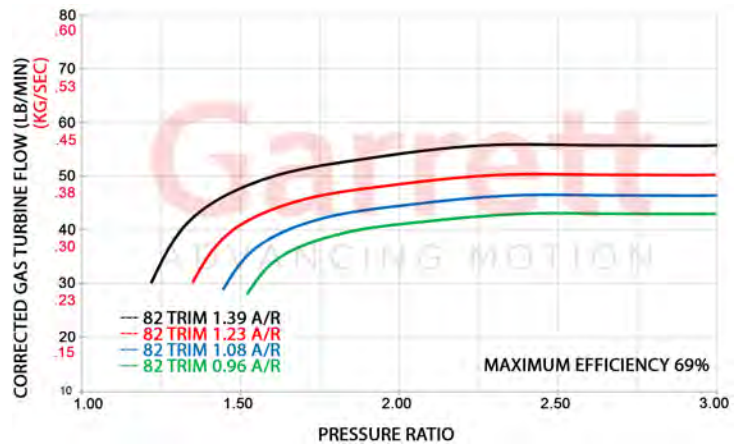
COMPRESSOR MAP



FEATURES:

- ◆ GEN 2 COMPRESSOR WHEEL AERODYNAMICS
- ◆ 9% INCREASED COMPRESSOR FLOW
- ◆ 76MM, 80MM, 88MM INDUCER CONFIGURATIONS
- ◆ .88 A/R COMPRESSOR HOUSING VOLUTE
- ◆ 30% LOWER INERTIA THAN PREVIOUS GENERATION
- ◆ SUPERCORE AND TURBINE HOUSING SOLD SEPARATELY
- ◆ COMPATIBLE WITH GT AND GTX GEN I TURBINE HOUSINGS

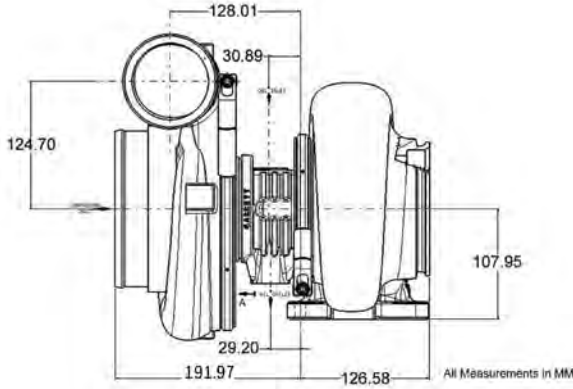
EXHAUST FLOW CHART



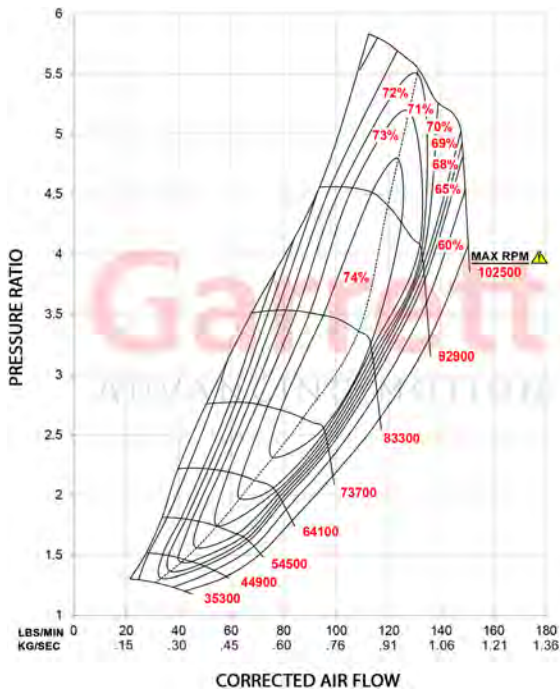
GTX4720R Gen II		Compressor				Turbine		
HP: 1025-1950	Disp: 2.5L-10.0L	Inducer	Exducer	Trim	A/R	Inducer	Exducer	Trim
Supercore		PN						
	851285-5013S	76mm	120mm	41	0.88	93mm	84mm	82
	851285-5014S	80mm	120mm	45	0.88	93mm	84mm	82
	851285-5015S	88mm	120mm	54	0.88	93mm	84mm	82
Turbine Kits: GTX47		PN			A/R	Inlet	Outlet	Wastegate
Interchangeable with GT GTX		761208-0009			0.96	T6	V-Band	Free Float
4708 4709 4718 4720		761208-0010			1.08	T6	V-Band	Free Float
Supercores		761208-0011			1.23	T6	V-Band	Free Float
		761208-0012			1.39	T6	V-Band	Free Float

Garrett GTX5009R GEN II

Horsepower: 875 - 1700
Displacement: 2.5L - 10.0L



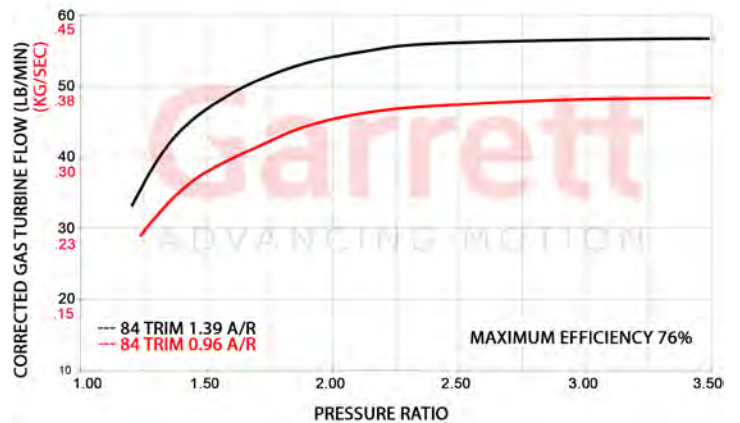
COMPRESSOR MAP



FEATURES:

- ◆ GEN 2 COMPRESSOR WHEEL AERODYNAMICS
- ◆ 15% INCREASED COMPRESSOR FLOW
- ◆ 76MM, 80MM, INDUCER CONFIGURATIONS
- ◆ .88 A/R COMPRESSOR HOUSING VOLUTE
- ◆ 39% LOWER INERTIA THAN PREVIOUS GENERATION
- ◆ SUPERCORE AND TURBINE HOUSING SOLD SEPARATELY
- ◆ COMPATIBLE WITH GT AND GTX GEN I TURBINE HOUSINGS

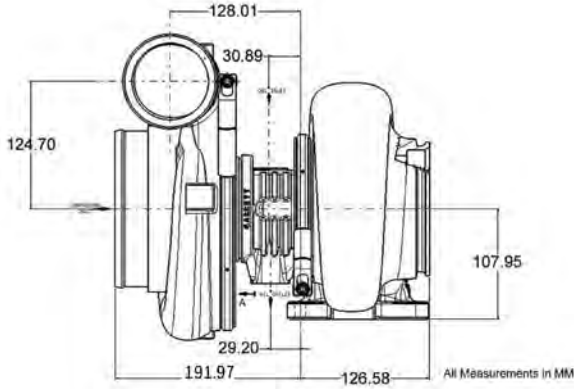
EXHAUST FLOW CHART



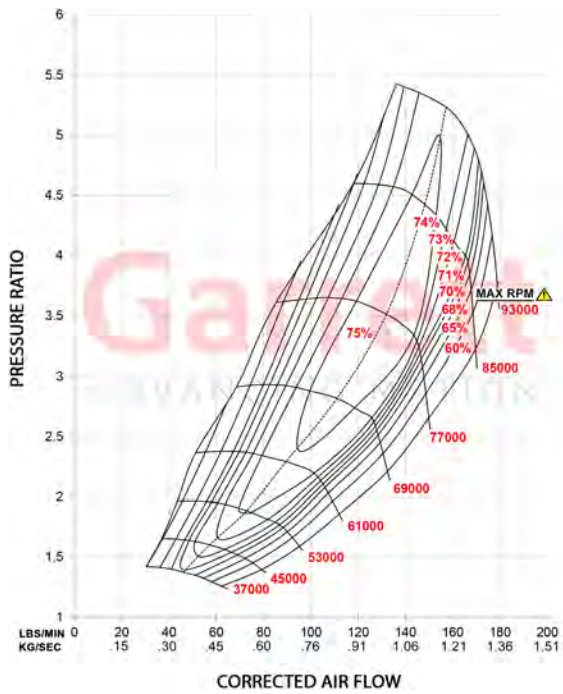
GTX5009R Gen II		Compressor				Turbine		
HP: 875-1700	Disp: 2.5L-10.0L	Inducer	Exducer	Trim	A/R	Inducer	Exducer	Trim
Supercore		PN						
851285-5016S		76mm	109mm	49	0.88	99mm	91mm	84
851285-5017S		80mm	109mm	54	0.88	99mm	91mm	84
Turbine Kits: GTX50		PN			A/R	Inlet	Wastegate	Divided
Interchangeable with GT GTX		761208-0030			0.96	T6	V-Band	Free Float
5008 5009 5018 5020		761208-0031			1.08	T6	V-Band	Free Float
Supercores		761208-0032			1.23	T6	V-Band	Free Float
		761208-0033			1.39	T6	V-Band	Free Float

Garrett GTX5020R GEN II

Horsepower: 1075 - 2050
Displacement: 2.8L - 11.0L



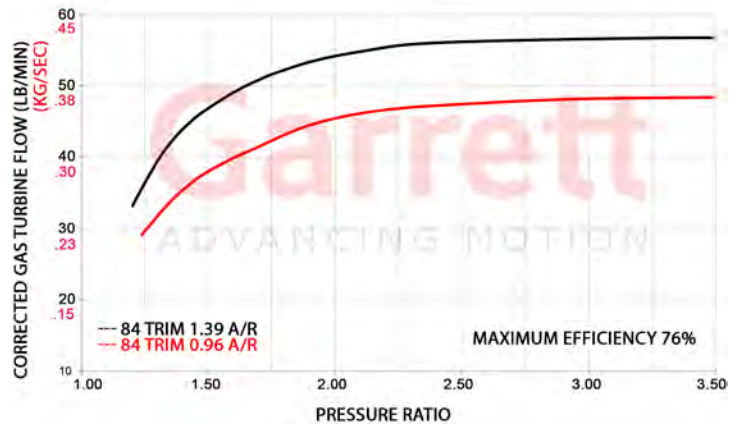
COMPRESSOR MAP



FEATURES:

- ◆ GEN 2 COMPRESSOR WHEEL AERODYNAMICS
- ◆ 9% INCREASED COMPRESSOR FLOW
- ◆ 76MM, 80MM, 88MM INDUCER CONFIGURATIONS
- ◆ .88 A/R COMPRESSOR HOUSING VOLUTE
- ◆ 30% LOWER INERTIA THAN PREVIOUS GENERATION
- ◆ SUPERCORE AND TURBINE HOUSING SOLD SEPARATELY
- ◆ COMPATIBLE WITH GT AND GTX GEN I TURBINE HOUSINGS

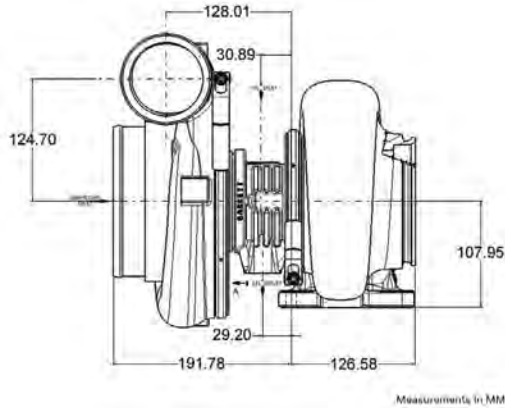
EXHAUST FLOW CHART



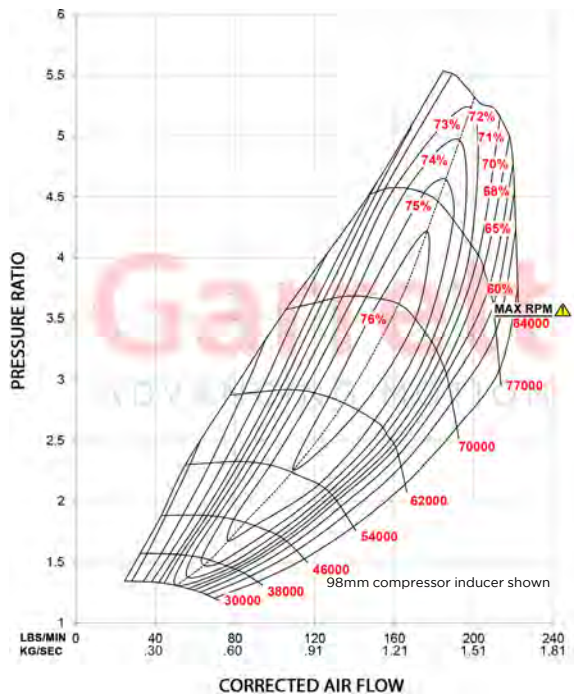
GTX5020R Gen II		Compressor				Turbine		
HP: 1075-2050	Disp: 2.8L-11.0L	Inducer	Exducer	Trim	A/R	Inducer	Exducer	Trim
Supercore	PN							
	851285-5018S	76mm	120mm	41	0.88	99mm	91mm	84
	851285-5019S	80mm	120mm	45	0.88	99mm	91mm	84
	851285-5020S	88mm	120mm	54	0.88	99mm	91mm	84
Turbine Kits: GTX50		PN		A/R	Inlet	Outlet	Wastegate	Divided
Interchangeable with GT GTX		761208-0030		0.96	T6	V-Band	Free Float	N
5008 5009 5018 5020		761208-0031		1.08	T6	V-Band	Free Float	N
Supercores		761208-0032		1.23	T6	V-Band	Free Float	N
		761208-0033		1.39	T6	V-Band	Free Float	N

Garrett GTX5533R GEN II

Horsepower: 1000- 2500
Displacement: 3.0L - 12.0L



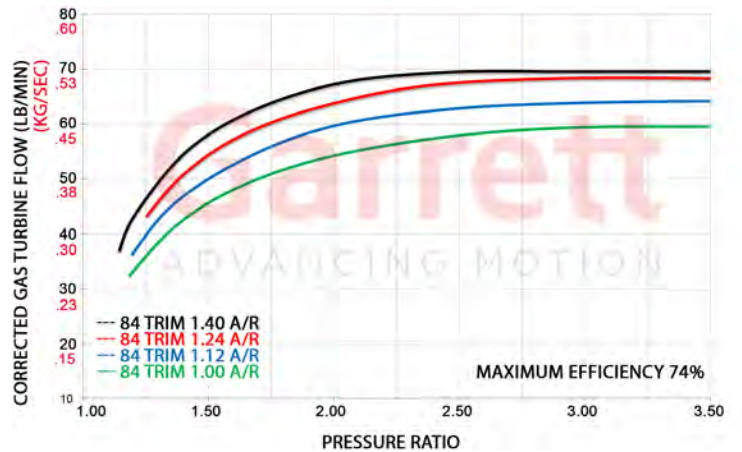
COMPRESSOR MAP



FEATURES:

- ◆ GEN 2 AERODYNAMICS FEATURE INCREASED HORSEPOWER RANGE
- ◆ NEW FULLY-MACHINED SPEED SENSOR PORT
- ◆ IMPROVED PORTED SHROUD DESIGN FOR SURGE RESISTANCE
- ◆ LIGHTWEIGHT BILLET BACKPLATE
- ◆ V-BAND COMPRESSOR OUTLET CONFIGURATION
- ◆ T6 AND V-BAND TURBINE HOUSING INLET OPTIONS

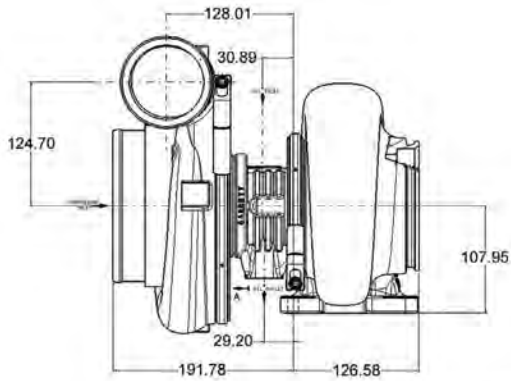
EXHAUST FLOW CHART



GTX5533R Gen II		Compressor				Turbine		
HP:1000-2500	Disp: 3.0L-12.0L	Inducer	Exducer	Trim	A/R	Inducer	Exducer	Trim
Supercore	PN							
	851285-5001S	85mm	133mm	41	0.88	112mm	102mm	84
	851285-5002S	88mm	133mm	44	0.88	112mm	102mm	84
	851285-5003S	91mm	133mm	47	0.96	112mm	102mm	84
	851285-5004S	94mm	133mm	50	0.96	112mm	102mm	84
	851285-5005S	98mm	133mm	54	0.96	112mm	102mm	84
Turbine Kits: GTX55		PN		A/R	Inlet	Outlet	Wastegate	Divided
Interchangeable with GT GTX		*761208-0062		1.24	V-Band	V-Band	Free Float	N
5533 5544 Supercores		*761208-0063		1.40	V-Band	V-Band	Free Float	N
		761208-0064		1.24	V-Band	V-Band	Free Float	N
* Long outlet with cross bolts		761208-0065		1.40	V-Band	V-Band	Free Float	N
		761208-0015		1.12	T6	V-Band	Free Float	N
		761208-0025		1.24	T6	V-Band	Free Float	N
		761208-0017		1.40	T6	V-Band	Free Float	N

Garrett GTX5544R GEN II

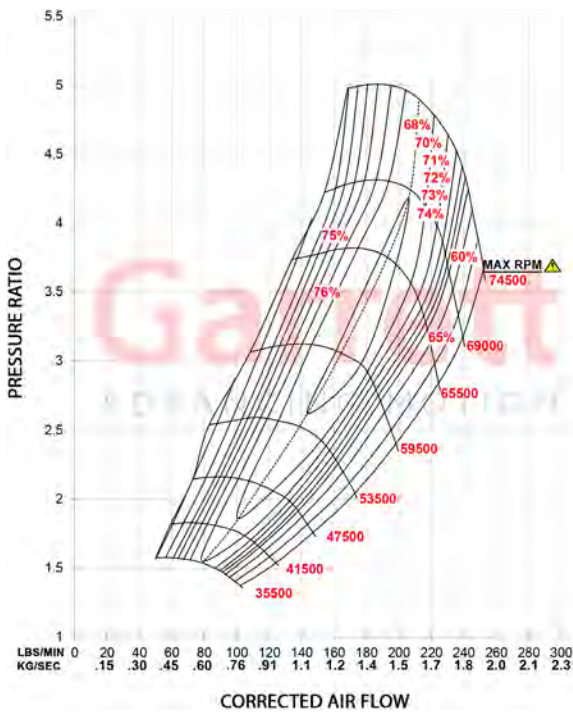
Horsepower: 1400- 2850
Displacement: 3.0L - 12.0L



Measurements in MM



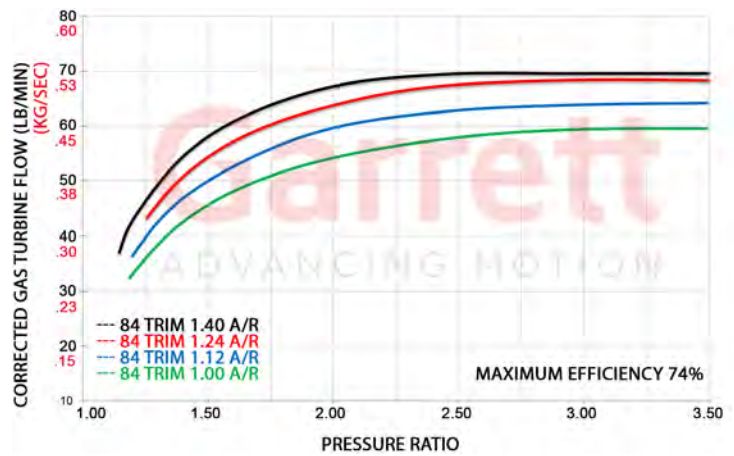
COMPRESSOR MAP



FEATURES:

- ◆ GEN 2 COMPRESSOR WHEEL AERODYNAMICS
- ◆ LIGHTWEIGHT BILLET BACKPLATE
- ◆ (NEW) BACKPLATE TO COMPRESSOR HOUSING O-RING
- ◆ 144MM COMPRESSOR EXDUCER
- ◆ FEATURES THE .96 A/R COMPRESSOR HOUSING
- ◆ SUPERCORE AND TURBINE HOUSING SOLD SEPARATELY
- ◆ COMPATIBLE WITH GT, GTX, AND GTX5533R TURBINE HOUSINGS

EXHAUST FLOW CHART



GTX5544R Gen II		Compressor				Turbine		
HP:1400-2850	Disp: 3.0L-12.0L	Inducer	Exducer	Trim	A/R	Inducer	Exducer	Trim
Supercore		PN						
851285-5021S		102mm	144mm	50	0.96	112mm	102mm	84
851285-5022S		106mm	144mm	54	0.96	112mm	102mm	84
Turbine Kits: GTX55		PN						
Interchangeable with GT GTX		*761208-0062		1.24	V-Band	V-Band	Free Float	N
5533 5544 Supercores		*761208-0063		1.40	V-Band	V-Band	Free Float	N
		761208-0064		1.24	V-Band	V-Band	Free Float	N
* Long outlet with cross bolts		761208-0065		1.40	V-Band	V-Band	Free Float	N
		761208-0015		1.12	T6	V-Band	Free Float	N
		761208-0025		1.24	T6	V-Band	Free Float	N
		761208-0017		1.40	T6	V-Band	Free Float	N



GTX5533R GEN II

Horsepower: 1000- 2500
Displacement: 3.0L - 12.0L

Comp: 85mm, 88mm, 91mm, 94mm, 98mm



GTX5544R GEN II

Horsepower: 1400- 2850
Displacement: 3.0L - 12.0L

Comp: 102mm, 106mm

FEATURES:

- ◆ GEN II AERODYNAMICS FEATURE INCREASED HORSEPOWER RANGE
- ◆ NEW FULLY MACHINED SPEED SENSOR PORT
- ◆ IMPROVED PORTED SHROUD DESIGN FOR SURGE RESISTANCE
- ◆ LIGHTWEIGHT BILLET BACKPLATE
- ◆ V-BAND COMPRESSOR OUTLET CONFIGURATION
- ◆ AVAILABLE IN 85MM, 88MM, 91MM, 94MM, 98MM, 102MM, 106MM

GTX55 STAINLESS STEEL TURBINE HOUSING CONFIGURATIONS



FEATURES:

- ◆ 1.24 A/R AND 1.40 A/R OPTIONS
- ◆ 3/8" GRADE 5 CROSS BOLTS ON LONG OUTLET HOUSINGS
- ◆ THREADED BOSSES FOR ATTACHMENT POINTS
- ◆ 4.25" V-BAND INLET | 5" V-BAND OUTLET
- ◆ COMPATIBLE WITH GTX5533R GEN I & GEN II | GTX5544R
- ◆ LONG AND SHORT OUTLET CONFIGURATIONS

GTX55 Turbine Kit PN	Desc	A/R	Inlet	Outlet
761208-0062	Long Outlet	1.24	V-Band	V-Band
761208-0064	Short Outlet	1.24	V-Band	V-Band
761208-0063	Long Outlet	1.40	V-Band	V-Band
761208-0065	Short Outlet	1.40	V-Band	V-Band

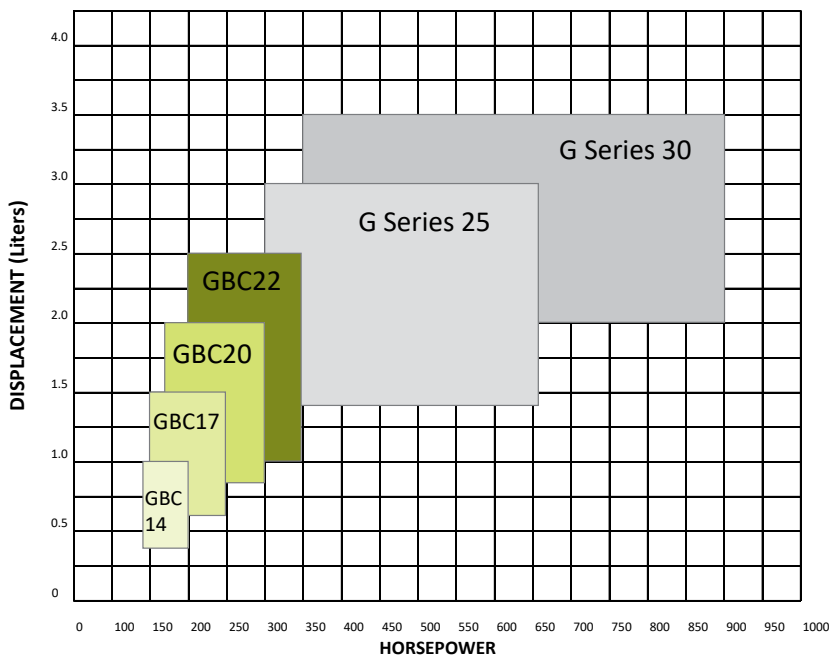
GARRETT BOOST | CLUB LINE

Garrett Boost | Club Line turbochargers are engineered for small engine displacements including powersports, personal watercraft, and automobiles. These turbochargers feature internally wastegated turbine housings and journal bearing rotating groups. Forged, fully-machined compressor wheels can support from 200 up to 350 horsepower for engine displacements ranging from 0.4L up to 2.5L





THE REPLACEMENT FOR **SMALL** DISPLACEMENT

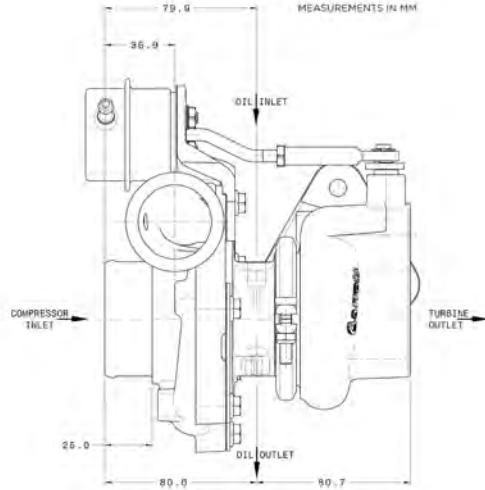


GARRETT BOOST | CLUB LINE FEATURES

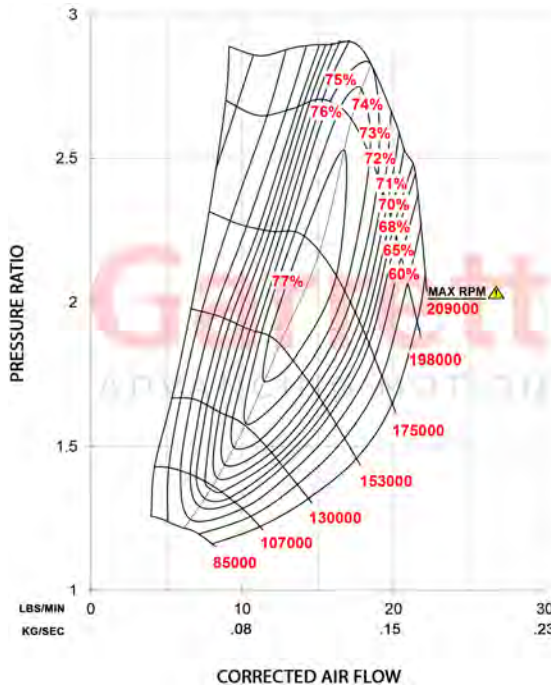
- FRAME SIZES => 14, 17, 20, AND 22
- GBC 17, 20 AND 22 ARE OUTLINE INTERCHANGEABLE
- 150 - 350 HORSEPOWER CAPABILITY
- INTEGRATED WASTEGATE ASSEMBLY WITH CALIBRATED ACTUATOR
- BILLET COMPRESSOR WHEEL WITH EXTENDED TIP DESIGN FOR HIGHER PRESSURE RATIO CAPABILITY
- GTX GEN II COMPRESSOR AERO WITH MODERN GASOLINE TURBINE WHEEL AERO
- INCONEL TURBINE WHEEL MATERIAL
- DUCTILE IRON (SIMO+) TURBINE HOUSING MATERIAL
- LATEST GENERATION OF JOURNAL BEARING
- 360-DEGREE THRUST BEARING
- OIL-COOLED CENTER HOUSING
- BOOST SIGNAL PORT WITH INSTALLED PLUG

Garrett GBC14-200

Horsepower: 140 - 200
 Displacement: 0.4L - 1.0L



COMPRESSOR MAP



FEATURES:

- ◆ 34MM COMPRESSOR INDUCER
- ◆ SUPPORTS UP TO 200 HORSEPOWER
- ◆ FORGED FULLY-MACHINED COMPRESSOR WHEEL
- ◆ JOURNAL BEARING ROTATING GROUP
- ◆ INTERNALLY WASTEGATED TURBINE HOUSING
- ◆ ENGINEERED FOR SMALL DISPLACEMENT ENGINES INCLUDING POWERSPORTS, PERSONAL WATERCRAFT AND AUTOMOBILES

EXHAUST FLOW CHART

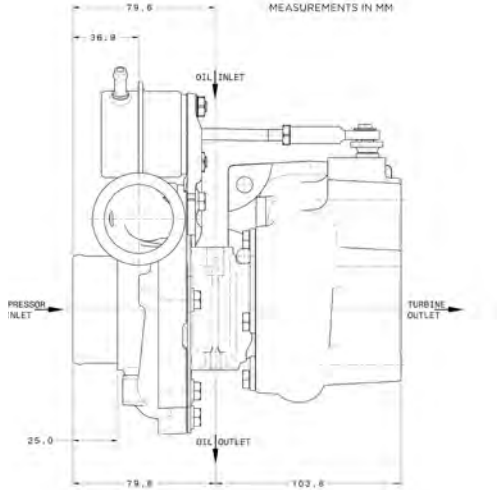


GBC14-200		Compressor			Turbine			
HP: 140-200	Disp: 0.4L-1.0L	Inducer	Exducer	A/R	Inducer	Exducer	Trim	A/R
Turbo PN: 896051-5004S		34mm	46mm	0.52	39mm	36mm	84	0.45

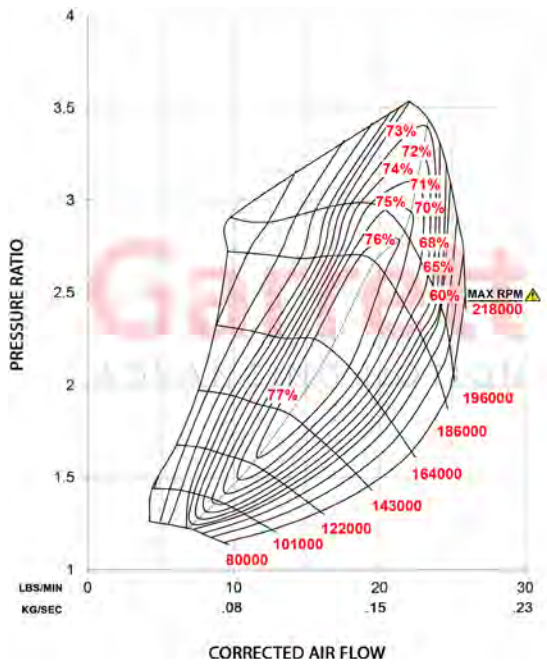
Garrett GBC17-250

Horsepower: 150 - 250

Displacement: 0.6L - 1.5L



COMPRESSOR MAP



FEATURES:

- ◆ 36MM COMPRESSOR INDUCER
- ◆ SUPPORTS UP TO 250 HORSEPOWER
- ◆ FORGED FULLY-MACHINED COMPRESSOR WHEEL
- ◆ JOURNAL BEARING ROTATING GROUP
- ◆ INTERNALLY WASTEGATED TURBINE HOUSING
- ◆ ENGINEERED FOR SMALL DISPLACEMENT ENGINES INCLUDING POWERSPORTS, PERSONAL WATERCRAFT AND AUTOMOBILES

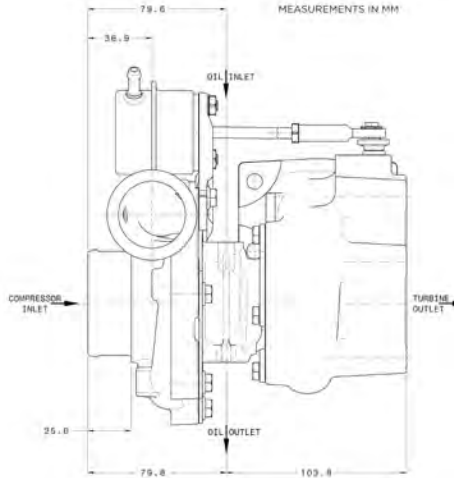
EXHAUST FLOW CHART



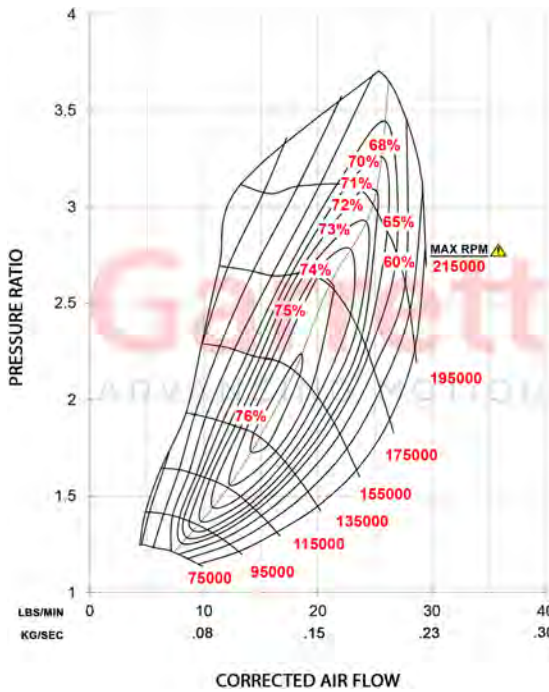
GBC17-250		Compressor			Turbine			
HP: 150-250	Disp: 0.6L-1.5L	Inducer	Exducer	A/R	Inducer	Exducer	Trim	A/R
Turbo PN: 896052-5003S		36mm	49mm	0.52	44mm	40mm	80	0.5

Garrett GBC20-300

Horsepower: 170 - 300
 Displacement: 0.8L - 2.0L



COMPRESSOR MAP



FEATURES:

- ◆ 39MM COMPRESSOR INDUCER
- ◆ SUPPORTS UP TO 300 HORSEPOWER
- ◆ FORGED FULLY-MACHINED COMPRESSOR WHEEL
- ◆ JOURNAL BEARING ROTATING GROUP
- ◆ INTERNALLY WASTEGATED TURBINE HOUSING
- ◆ ENGINEERED FOR SMALL DISPLACEMENT ENGINES INCLUDING POWERSPORTS, PERSONAL WATERCRAFT AND AUTOMOBILES

EXHAUST FLOW CHART

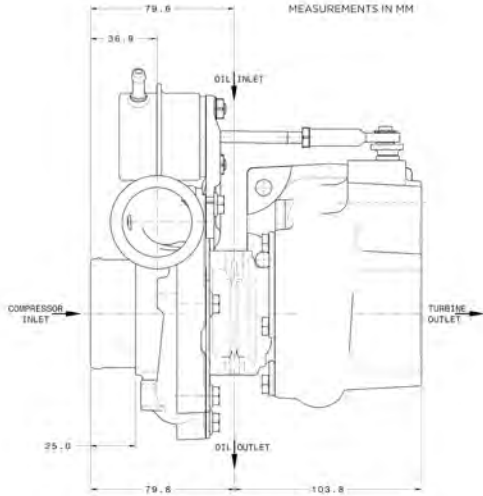


GBC20-300		Compressor			Turbine			
HP: 170-300	Disp: 0.8L-2.0L	Inducer	Exducer	A/R	Inducer	Exducer	Trim	A/R
Turbo PN: 896053-5003S		39mm	52mm	0.59	47mm	42mm	84	0.55

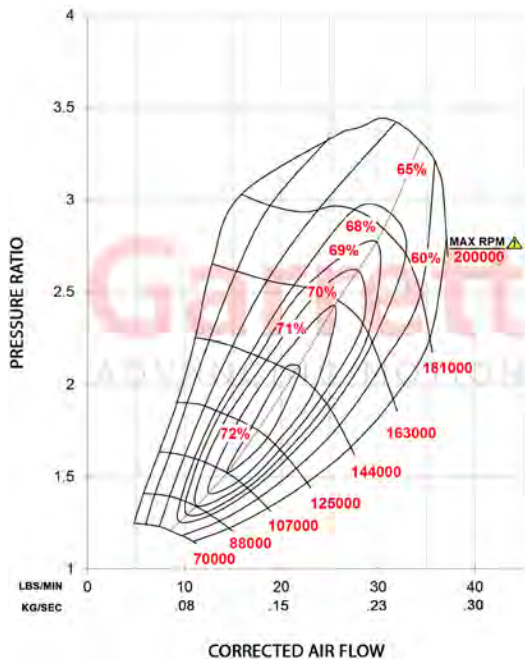
Garrett GBC22-350

Horsepower: 200 - 350

Displacement: 1.0L - 2.5L



COMPRESSOR MAP



FEATURES:

- ◆ 44MM COMPRESSOR INDUCER
- ◆ SUPPORTS UP TO 350 HORSEPOWER
- ◆ FORGED FULLY-MACHINED COMPRESSOR WHEEL
- ◆ JOURNAL BEARING ROTATING GROUP
- ◆ INTERNALLY WASTEGATED TURBINE HOUSING
- ◆ ENGINEERED FOR SMALL DISPLACEMENT ENGINES INCLUDING POWERSPORTS, PERSONAL WATERCRAFT AND AUTOMOBILES

EXHAUST FLOW CHART



GBC22-350		Compressor			Turbine			
HP: 200-350	Disp: 1.0L-2.5L	Inducer	Exducer	A/R	Inducer	Exducer	Trim	A/R
Turbo PN: 896055-5003S		44mm	56mm	0.59	50mm	46mm	84	0.64

GTW SERIES

GTW Series turbochargers were engineered to provide budget-minded enthusiasts with a high-performing mid frame product that is offered in ball bearing and journal bearing options. GTW combines popular compressor inducer sizes like 58mm | 62mm | 64mm | 67mm with slightly larger (than GTX) turbine wheel sizes.

Fully-machined aluminum compressor wheels with GTX Gen II aero provide optimal horsepower range and boost response for 2.0L - 6.0L engine displacements. A lightweight aluminum backplate comes standard on all GTW turbochargers and reduces overall weight.

The water cooled CHRA keeps housing temperatures to a minimum. The GTW3476 and GTW3884 turbine wheels are constructed from Inconel, a Super Alloy that maintains strength during prolonged exposure to high exhaust gas temperatures. Turbine kits are offered in open volute and twin scroll, and a variety of A/R and flange configurations. The GTW is a cost effective option for enthusiasts looking to turbocharge their vehicles.



Scott Birdsall | Garrett GTW3884R | Pikes Peak International Hill Climb



Alford

Garrett

128

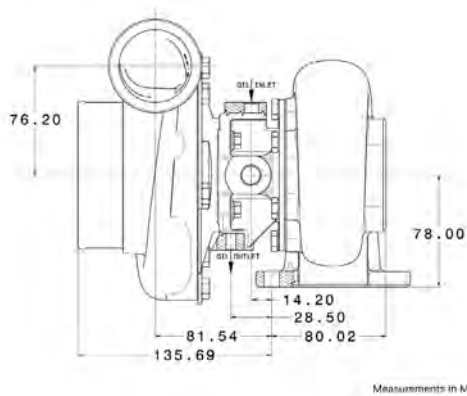
ALFORD INC.

Garrett

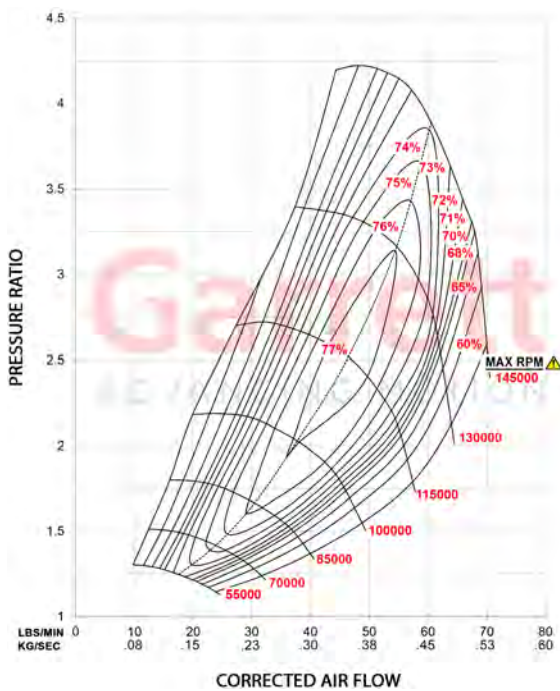
Powertrain

Garrett GTW3476R

Horsepower: 450 - 700
 Displacement: 2.0L - 4.5L



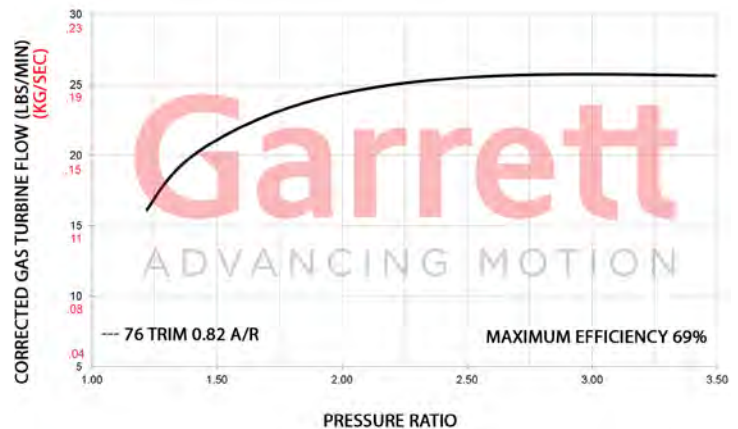
COMPRESSOR MAP



FEATURES:

- ◆ PORTED SHROUD DESIGN FOR SURGE RESISTANCE
- ◆ AVAILABLE IN BOTH JOURNAL BEARING AND BALL BEARING OPTIONS
- ◆ FORGED FULLY-MACHINED BILLET COMPRESSOR WHEEL
- ◆ LIGHTWEIGHT ALUMINUM BACKPLATE
- ◆ INCONEL SUPER-ALLOY TURBINE WHEEL

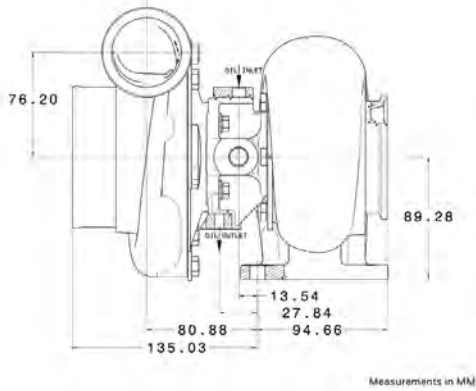
EXHAUST FLOW CHART



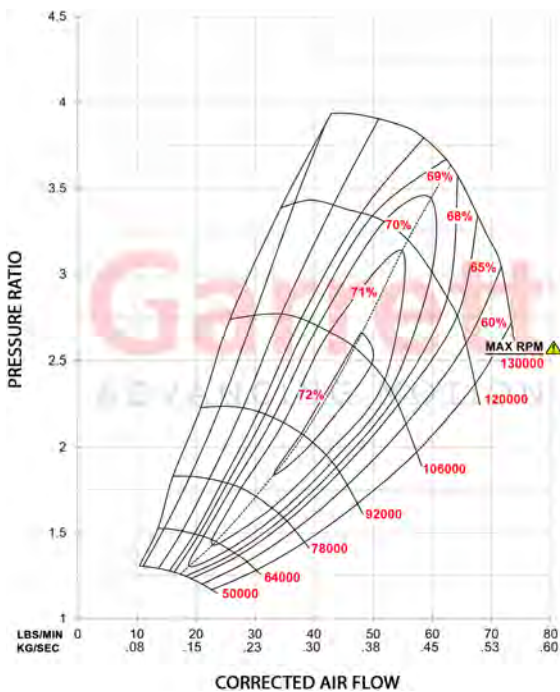
GTW3476R		Compressor				Turbine		
		Inducer	Exducer	Trim	A/R	Inducer	Exducer	Trim
HP: 450-700	Disp: 2.0L-4.5L	58mm	76mm	58	0.70	65mm	57mm	76
Supercore		PN						
Ball Bearing		841691-5001S						
Journal Bearing		841297-5001S						
Turbine Kits: GTW34		PN		A/R	Inlet	Outlet	Wastegate	Divided
Interchangeable with GTW		844669-0002		0.63	T3	4-Bolt	Free Float	N
3476 Supercores		844669-0003		0.82	T3	4-Bolt	Free Float	N

Garrett GTW3684R

Horsepower: 425 - 750
Displacement: 2.0L - 5.3L



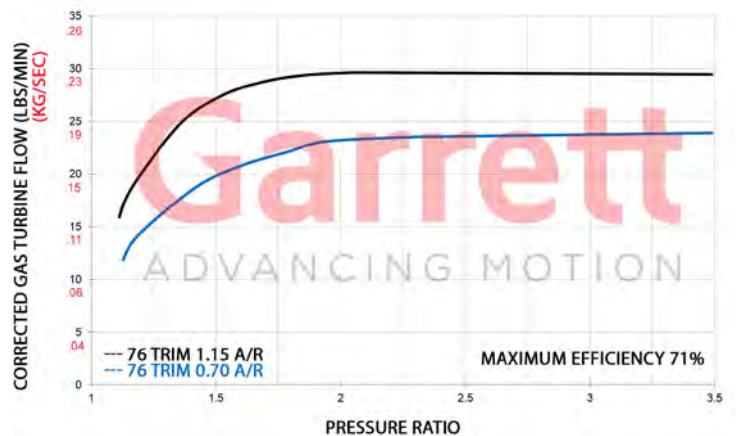
COMPRESSOR MAP



FEATURES:

- ◆ PORTED SHROUD DESIGN FOR SURGE RESISTANCE
- ◆ AVAILABLE IN BOTH JOURNAL BEARING AND BALL BEARING OPTIONS
- ◆ FORGED FULLY-MACHINED BILLET COMPRESSOR WHEEL
- ◆ TURBINE HOUSINGS AVAILABLE IN DIVIDED CONFIGURATION
- ◆ LIGHTWEIGHT ALUMINUM BACKPLATE

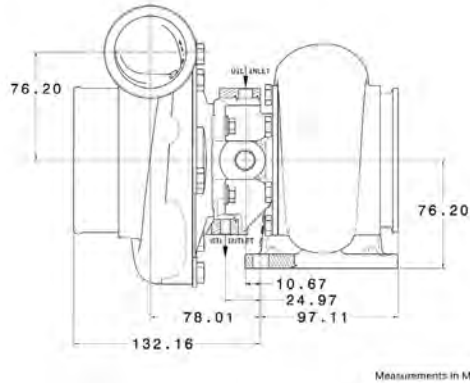
EXHAUST FLOW CHART



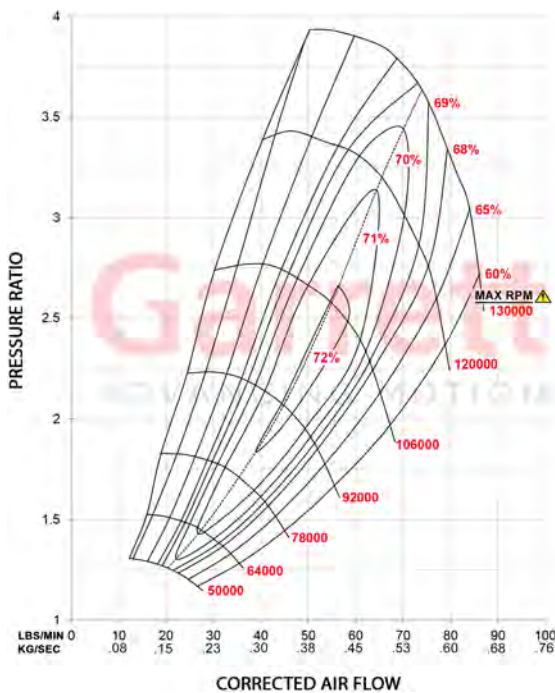
GTW3684R		Compressor				Turbine		
HP: 425-750	Disp: 2.0L-5.3L	<i>Inducer</i>	<i>Exducer</i>	<i>Trim</i>	<i>A/R</i>	<i>Inducer</i>	<i>Exducer</i>	<i>Trim</i>
		62mm	84mm	54	0.70	71mm	62mm	76
Supercore		PN						
Ball Bearing		841691-5002S						
Journal Bearing		841297-5002S						
Turbine Kits: GTW36		PN		A/R	Inlet	Outlet	Wastegate	Divided
Interchangeable with GTW		844669-0005		0.70	T4	V-Band	Free Float	Y
3684 Supercores		844669-0007		1.15	T4	V-Band	Free Float	Y

Garrett GTW3884R

Horsepower: 450 - 950
Displacement: 2.0L - 6.0L



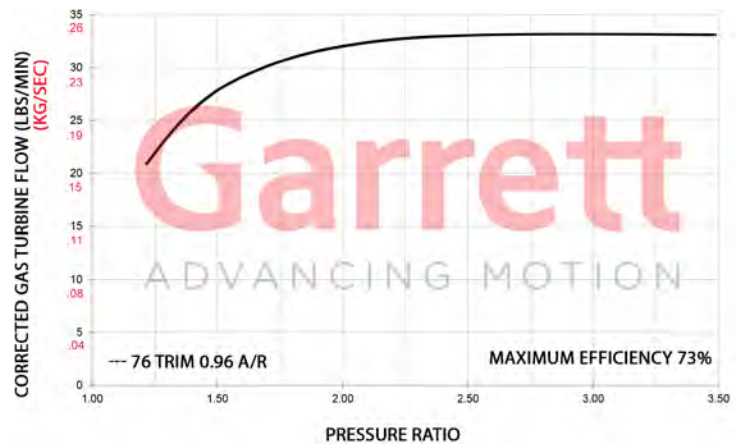
COMPRESSOR MAP



FEATURES:

- ◆ PORTED SHROUD DESIGN FOR SURGE RESISTANCE
- ◆ AVAILABLE IN JOURNAL BEARING OR BALL BEARING OPTIONS
- ◆ FORGED FULLY-MACHINED BILLET COMPRESSOR WHEEL
- ◆ INCONEL SUPER-ALLOY TURBINE WHEEL
- ◆ LIGHTWEIGHT ALUMINUM BACKPLATE

EXHAUST FLOW CHART



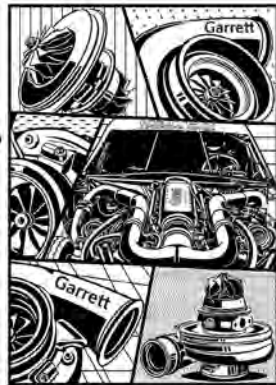
GTW3884R		Compressor				Turbine		
HP: 450-950	Disp: 2.0L-6.0L	Inducer	Exducer	Trim	A/R	Inducer	Exducer	Trim
Supercore PN								
Ball Bearing	841691-5003S	62mm	84mm	54	0.70	74mm	65mm	76
Ball Bearing	841691-5004S	64mm	84mm	58	0.70	74mm	65mm	76
Ball Bearing	841691-5005S	67mm	84mm	64	0.70	74mm	65mm	76
Journal Bearing	841297-5003S	62mm	84mm	54	0.70	74mm	65mm	76
Journal Bearing	841297-5004S	64mm	84mm	58	0.70	74mm	65mm	76
Journal Bearing	841297-5005S	67mm	84mm	64	0.70	74mm	65mm	76
Turbine Kits: GTW38		PN		A/R	Inlet	Outlet	Wastegate	Divided
		844669-0009		0.96	T4	V-Band	Free Float	N



GARRETT GEAR

BOOST APPAREL & CULTURE

GARRETTGEAR.COM



GT SERIES

Garrett GT Series is the name that pioneered turbo technology and boosted drag racing and road racing teams to break hundreds of world records. The GT Series lineup is offered in both journal and ball bearing options, with sizes ranging from GT2052 to GT3582.

The cast compressor wheels feature original GT Series aerodynamics and provide maximum durability and longevity. Internally wastegated turbine housing options are available in all GT Series sizes.

Turbine kits are offered in open volute and twin scroll, and a variety of A/R and flange configurations. For any performance need, GT Series turbochargers have you covered.

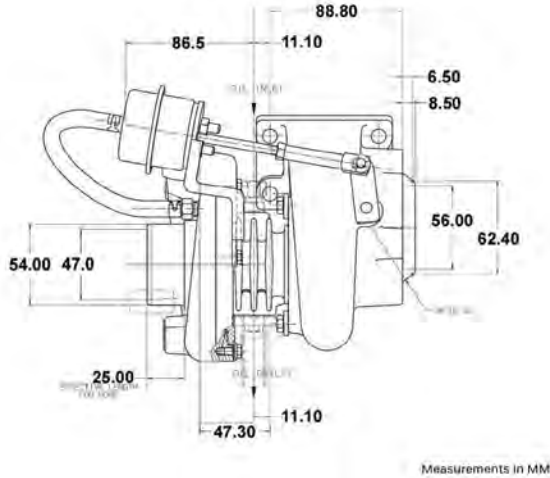




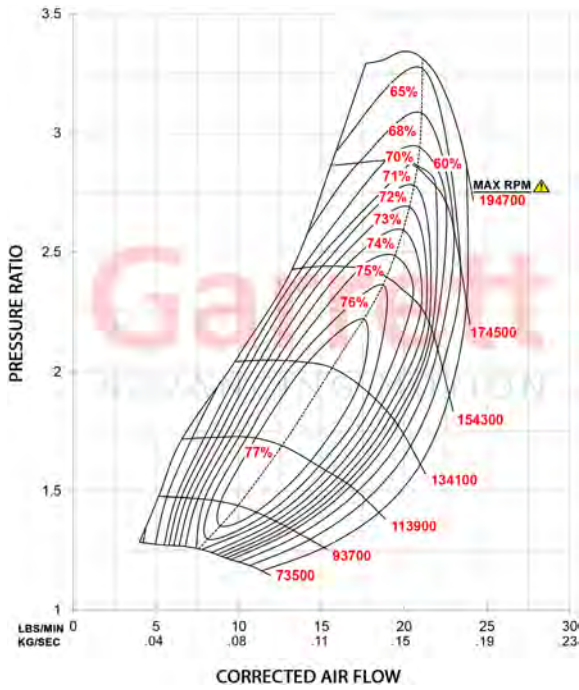
1994 Nissan GT-R | GT2860R | Owner: Mickey Andrade

Garrett GT2052

Horsepower: 140 - 230
 Displacement: 1.4L - 2.0L



COMPRESSOR MAP



FEATURES:

- ◆ ORIGINAL GT SERIES AERODYNAMICS
- ◆ INTERNALLY WASTEGATED TURBINE HOUSING
- ◆ SOLD AS A COMPLETE TURBO (INCLUDES TURBINE KIT)
- ◆ JOURNAL BEARING CONFIGURATION
- ◆ OIL COOLED CHRA

EXHAUST FLOW CHART

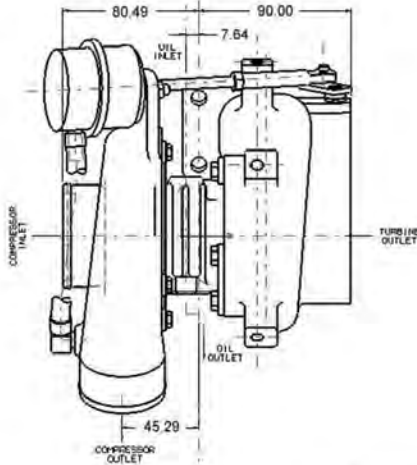


GT2052		Compressor			Turbine			
HP: 140-230	Disp: 1.4L-2.0L	Inducer	Exducer	A/R	Inducer	Exducer	Trim	A/R
Turbo PN: 727264-5001w		38mm	52mm	0.51	47mm	40mm	72	0.50

Garrett GT2252

Horsepower: 150 - 260

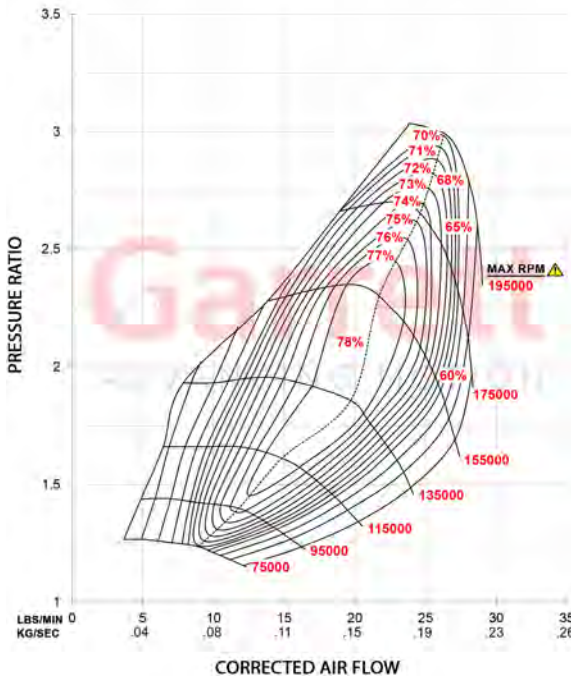
Displacement: 1.7L - 2.5L



Measurements in MM



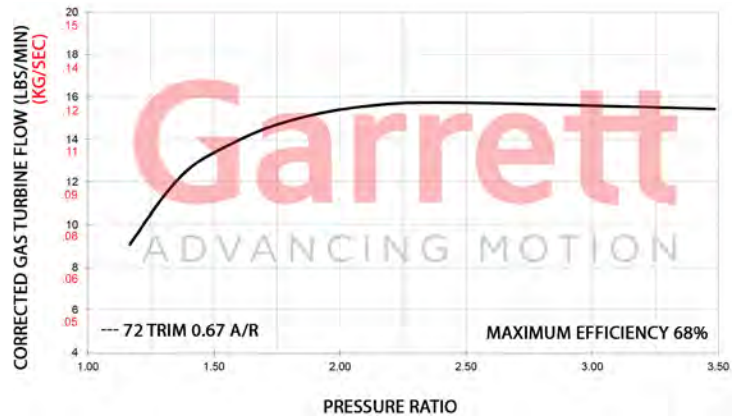
COMPRESSOR MAP



FEATURES:

- ◆ ORIGINAL GT SERIES AERODYNAMICS
- ◆ INTERNALLY WASTEGATED TURBINE HOUSING
- ◆ SOLD AS A COMPLETE TURBO (INCLUDES TURBINE KIT & ACTUATOR)
- ◆ JOURNAL BEARING CONFIGURATION
- ◆ OIL COOLED CHRA

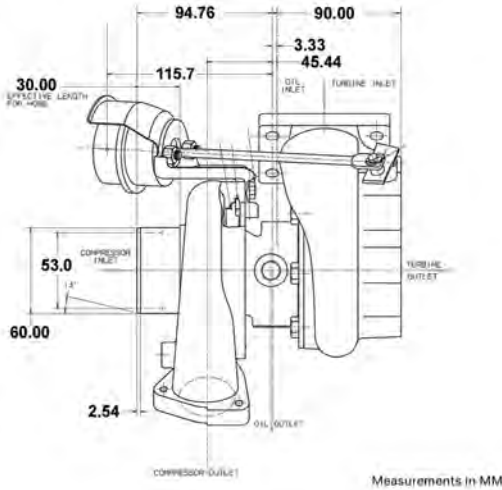
EXHAUST FLOW CHART



GT2252		Compressor			Turbine			
HP: 150-260	Disp: 1.7L-2.5L	Inducer	Exducer	A/R	Inducer	Exducer	Trim	A/R
Turbo PN: 452187-5006S		40mm	52mm	0.51	50mm	43mm	72	0.67

Garrett GT2554R

Horsepower: 170 - 270
 Displacement: 1.4L - 2.2L



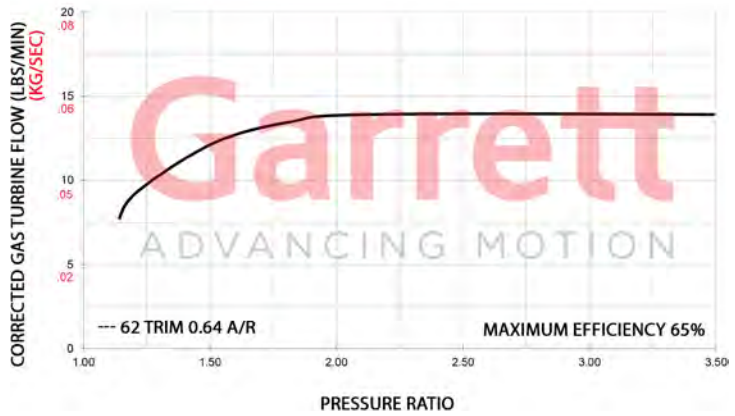
COMPRESSOR MAP



FEATURES:

- ◆ ORIGINAL GT SERIES AERODYNAMICS
- ◆ INTERNALLY WASTEGATED TURBINE HOUSING
- ◆ SOLD AS A COMPLETE TURBO (INCLUDES TURBINE KIT & ACTUATOR)
- ◆ SMALLEST BALL BEARING CONFIGURATION AVAILABLE
- ◆ WATER COOLED CHRA

EXHAUST FLOW CHART

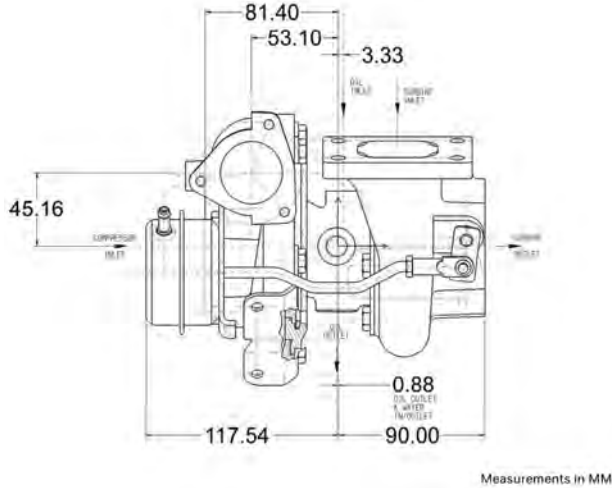


GT2554R		Compressor			Turbine			
HP: 170-270	Disp: 1.4L-2.2L	Inducer	Exducer	A/R	Inducer	Exducer	Trim	A/R
Turbo PN: 836023-5001S		42mm	54mm	0.80	53mm	42mm	62	0.64

Garrett GT2560R

Horsepower: 200 - 330

Displacement: 1.6L - 2.5L



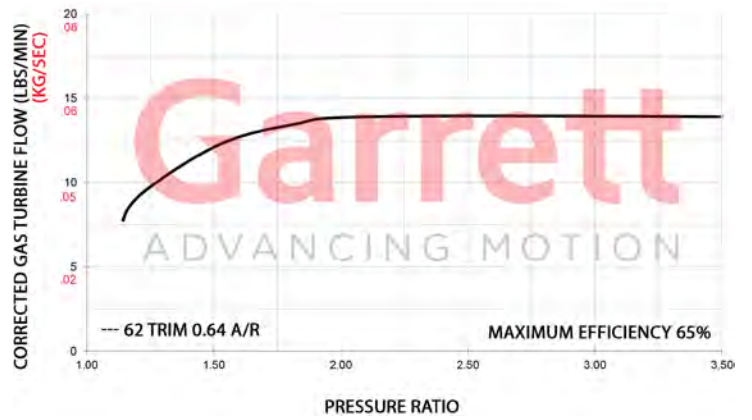
COMPRESSOR MAP



FEATURES:

- ◆ ORIGINAL GT SERIES AERODYNAMICS
- ◆ INTERNALLY WASTEGATED TURBINE HOUSING
- ◆ SOLD AS A COMPLETE TURBO (INCLUDES TURBINE KIT & ACTUATOR)
- ◆ BALL BEARING CONFIGURATION WITH WATER COOLED CHRA

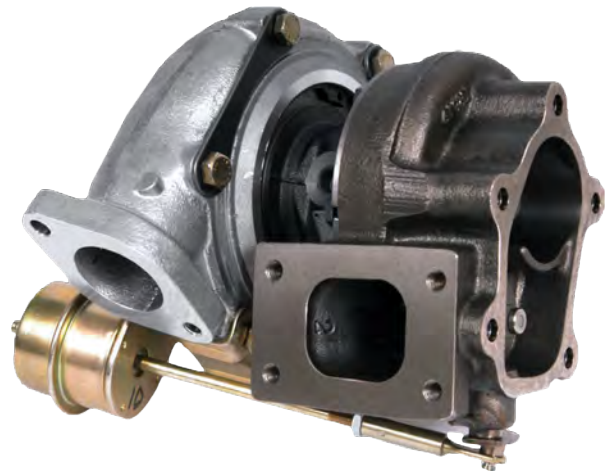
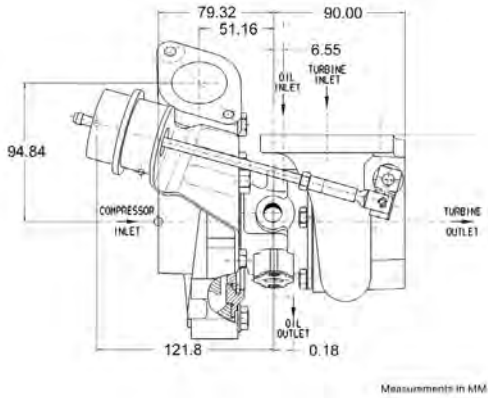
EXHAUST FLOW CHART



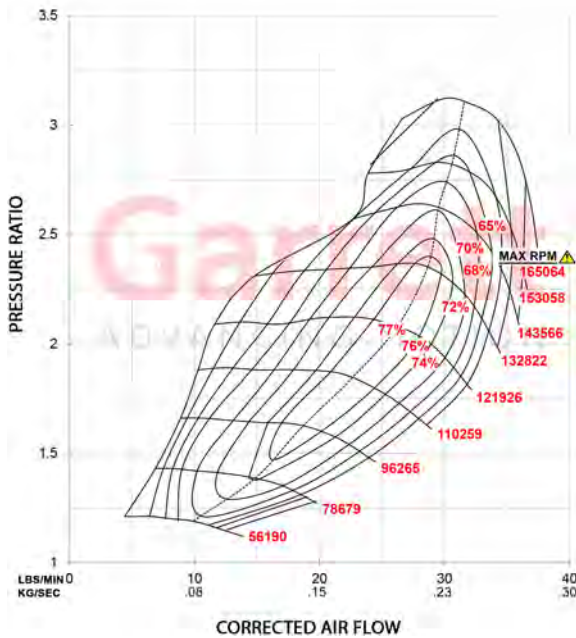
GT2560R		Compressor			Turbine			
HP: 200-330	Disp: 1.6L-2.5L	Inducer	Exducer	A/R	Inducer	Exducer	Trim	A/R
Turbo PN: 836023-5004S		46mm	60mm	0.80	53mm	42mm	62	0.64

Garrett GT2860R

Horsepower: 250 - 360
 Displacement: 1.8L - 3.0L



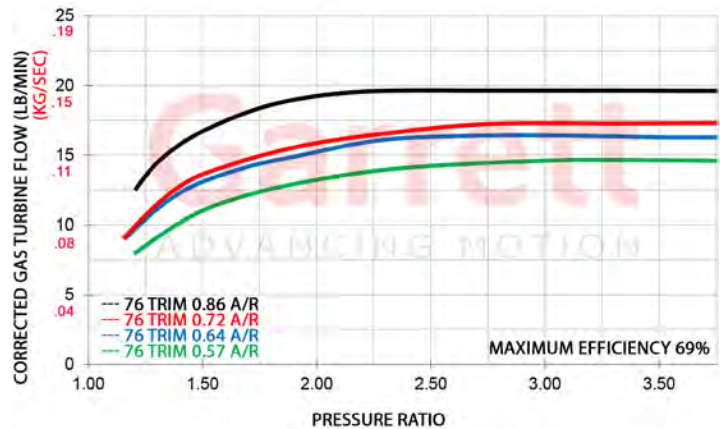
COMPRESSOR MAP



FEATURES:

- ◆ ORIGINAL GT SERIES AERODYNAMICS
- ◆ INTERNALLY WASTEGATED TURBINE HOUSING
- ◆ SOLD AS A COMPLETE TURBO (INCLUDES TURBINE KIT & ACTUATOR)
- ◆ BALL BEARING CONFIGURATION WITH WATER COOLED CHRA
- ◆ V-BAND TURBINE HOUSING OPTIONS
- ◆ BOLT-ON UPGRADE FOR NISSAN RB26DETT

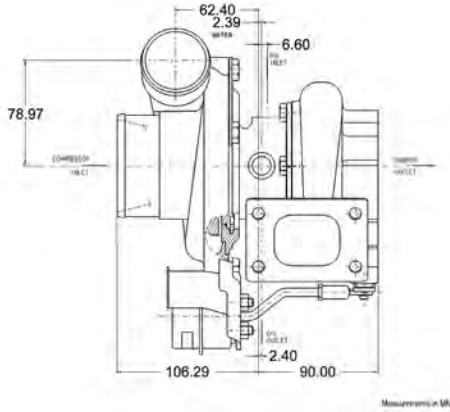
EXHAUST FLOW CHART



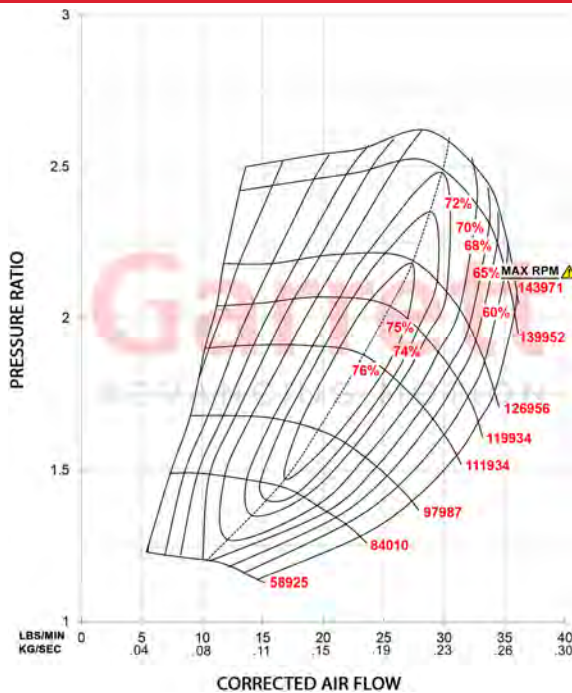
GT2860R HP: 250-360 Disp: 1.8L-3.0L Turbo PN: 836026-5005S	Compressor			Turbine			
	Inducer	Exducer	A/R	Inducer	Exducer	Trim	A/R
Turbo Kits: GT28	47mm	60mm	0.60	54mm	47mm	76	0.64
Kits not directly interchangeable.	PN	PN	A/R	Inlet	Outlet	Wastegate	Divided
Modifications required to the exhaust system to fit.	827690-0005		0.64	T25	5-Bolt	Wastegated	N
	827690-0004		0.86	T25	5-Bolt	Wastegated	N
	827690-0001		0.57	V-Band	V-Band	Free Float	N
	827690-0002		0.72	V-Band	V-Band	Free Float	N

Garrett GT2860RS

Horsepower: 250 - 360
Displacement: 1.8L - 3.0L



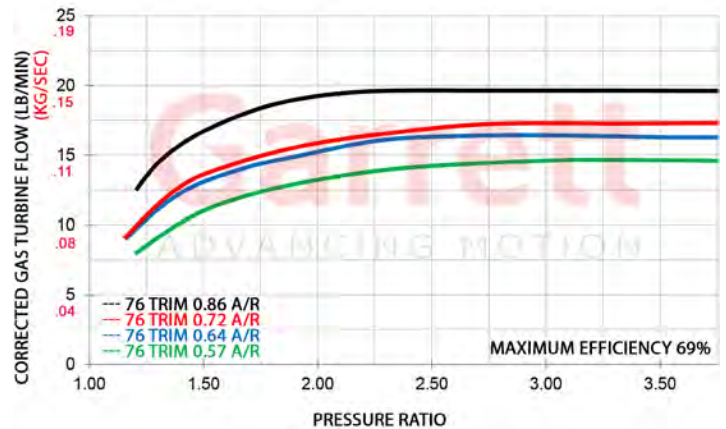
COMPRESSOR MAP



FEATURES:

- ◆ ORIGINAL GT SERIES AERODYNAMICS
- ◆ INTERNALLY WASTEGATED TURBINE HOUSING
- ◆ SOLD AS A COMPLETE TURBO (INCLUDES TURBINE KIT & ACTUATOR)
- ◆ BALL BEARING CONFIGURATION WITH WATER COOLED CHRA
- ◆ V-BAND TURBINE HOUSING OPTIONS

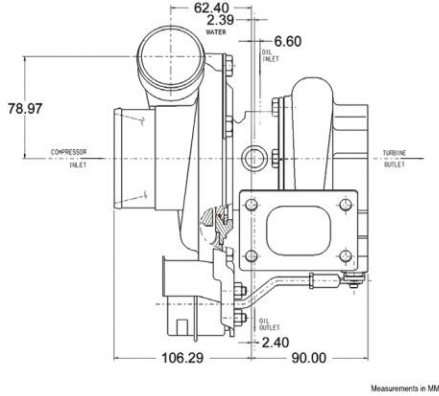
EXHAUST FLOW CHART



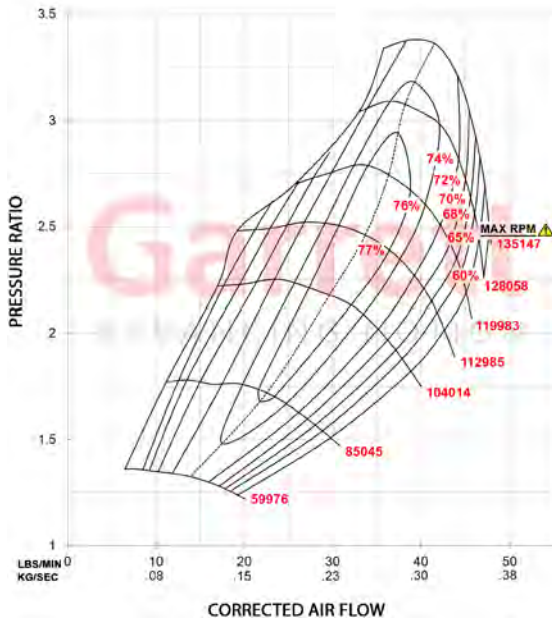
GT2860RS HP: 250-360 Disp: 1.8L-3.0L	Compressor			Turbine			
	Inducer	Exducer	A/R	Inducer	Exducer	Trim	A/R
Turbo PN: 836026-5013S	47mm	60mm	0.60	54mm	47mm	76	0.86
Turbo PN: 836026-5014S	47mm	60mm	0.60	54mm	47mm	76	0.64
Turbine Kits: GT28	PN	A/R	Inlet	Outlet	Wastegate	Divided	
Kits not directly interchangeable.	827690-0005	0.64	T25	5-Bolt	Wastegated	N	
Modifications required to the exhaust system to fit.	827690-0004	0.86	T25	5-Bolt	Wastegated	N	
	827690-0001	0.57	V-Band	V-Band	Free Float	N	
	827690-0002	0.72	V-Band	V-Band	Free Float	N	

Garrett GT2871R

Horsepower: 280 - 475
Displacement: 1.8L - 3.0L



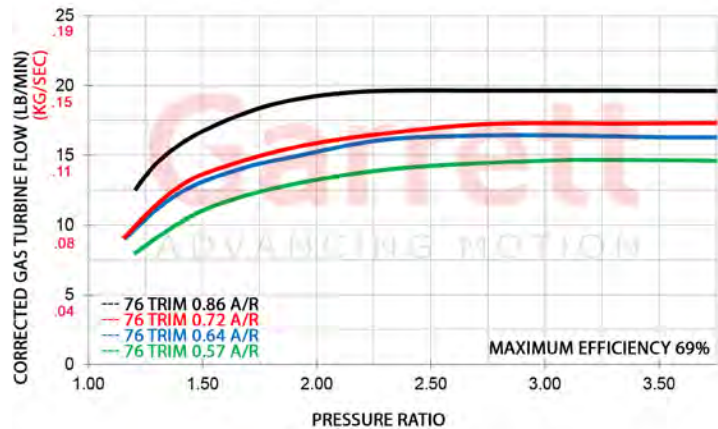
COMPRESSOR MAP



FEATURES:

- ◆ ORIGINAL GT SERIES AERODYNAMICS
- ◆ INTERNALLY WASTEGATED TURBINE HOUSING OPTIONS
- ◆ NON WASTEGATED TURBINE HOUSINGS AVAILABLE
- ◆ SOLD AS A COMPLETE TURBO (INCLUDES TURBINE KIT & ACTUATOR)
- ◆ BALL BEARING CONFIGURATION WITH WATER COOLED CHRA
- ◆ V-BAND TURBINE HOUSING OPTIONS

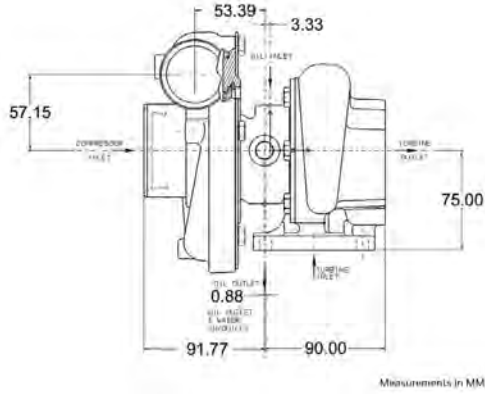
EXHAUST FLOW CHART



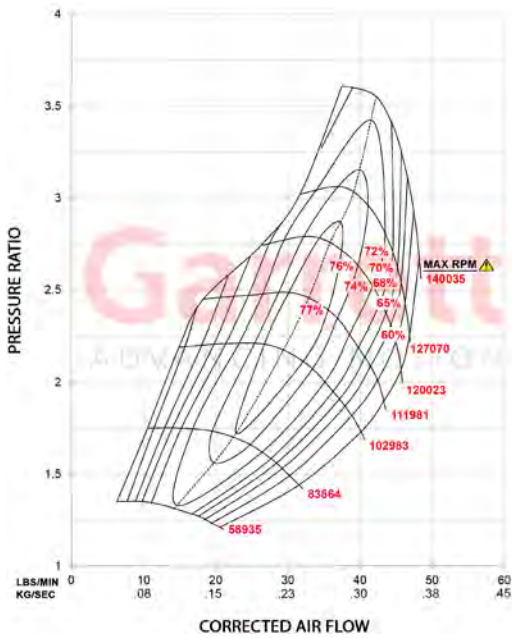
GT2871R		Compressor			Turbine			
HP: 280-475	Disp: 1.8L-3.0L	Inducer	Exducer	A/R	Inducer	Exducer	Trim	A/R
Turbo PN: 836026-5020S		53mm	71mm	0.60	54mm	47mm	76	0.86
Turbo PN: 836026-5021S		53mm	71mm	0.60	54mm	47mm	76	0.64
Turbine Kits: GT28		PN		A/R	Inlet	Outlet	Wastegate	Divided
Kits not directly interchangeable.		827690-0005		0.64	T25	5-Bolt	Wastegated	N
Modifications required to the exhaust system to fit.		827690-0004		0.86	T25	5-Bolt	Wastegated	N
		827690-0001		0.57	V-Band	V-Band	Free Float	N
		827690-0002		0.72	V-Band	V-Band	Free Float	N

Garrett GT3071R

Horsepower: 280 - 480
 Displacement: 2.5L - 3.5L



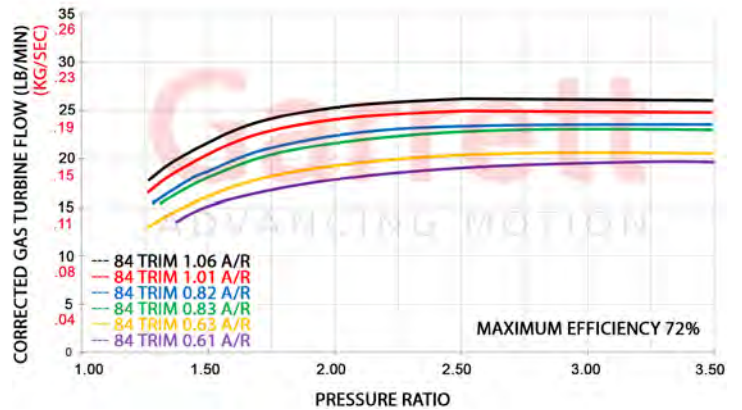
COMPRESSOR MAP



FEATURES:

- ◆ ORIGINAL GT SERIES AERODYNAMICS
- ◆ NON WASTEGATED TURBINE HOUSINGS AVAILABLE
- ◆ BALL BEARING CONFIGURATION WITH WATER COOLED CHRA
- ◆ V-BAND AND T3 TURBINE HOUSING INLET OPTIONS

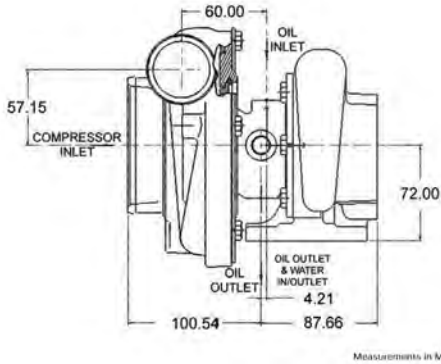
EXHAUST FLOW CHART



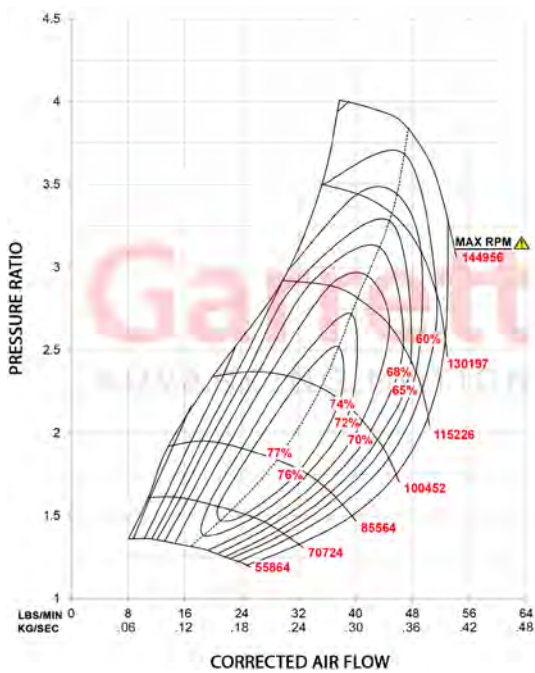
GT3071R		Compressor			Turbine		
HP: 280-480	Disp: 2.5L-3.5L	Inducer	Exducer	A/R	Inducer	Exducer	Trim
Supercore PN							
836028-5001S	69.85mm hose / square heat shroud	53mm	71mm	0.50	60mm	55mm	84
836028-5002S	102.00mm hose / square heat shroud	53mm	71mm	0.50	60mm	55mm	84
836028-5005S	102.00mm hose / stepped heat shroud	53mm	71mm	0.50	60mm	55mm	84
Turbine Kits: GT30		PN	A/R	Inlet	Outlet	Wastegate	Divided
Interchangeable with GT, GTX		740902-0009	0.63	T3	V-Band	Free Float	N
Gen I, and GTX Gen II 30		740902-0008	0.82	T3	V-Band	Free Float	N
Series Supercores		740902-0007	1.06	T3	V-Band	Free Float	N
		740902-0036	0.61	V-Band	V-Band	Free Float	N
		740902-0035	0.83	V-Band	V-Band	Free Float	N
		740902-0034	1.01	V-Band	V-Band	Free Float	N
		PN	A/R	Inlet	Outlet	Wastegate	Divided
Wastegated turbine assembly does not include bolts, clamps, or actuator		771300-0006	0.63	T3	5 bolt	Wastegated	N
		771300-0005	0.82	T3	5 bolt	Wastegated	N
		771300-0004	1.06	T3	5 bolt	Wastegated	N

Garrett GT3076R

Horsepower: 310 - 525
Displacement: 2.0L - 3.5L



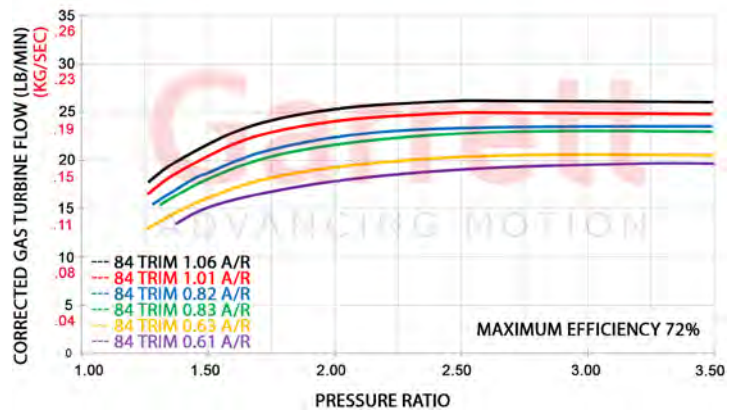
COMPRESSOR MAP



FEATURES:

- ◆ ORIGINAL GT SERIES AERODYNAMICS
- ◆ INTERNALLY WASTEGATED TURBINE HOUSING
- ◆ NON WASTEGATED TURBINE HOUSINGS AVAILABLE
- ◆ BALL BEARING CONFIGURATION WITH WATER COOLED CHRA
- ◆ V-BAND TURBINE HOUSING OPTIONS

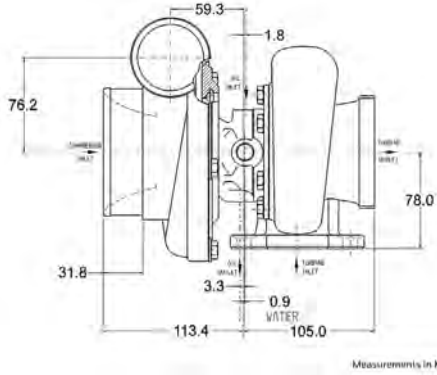
EXHAUST FLOW CHART



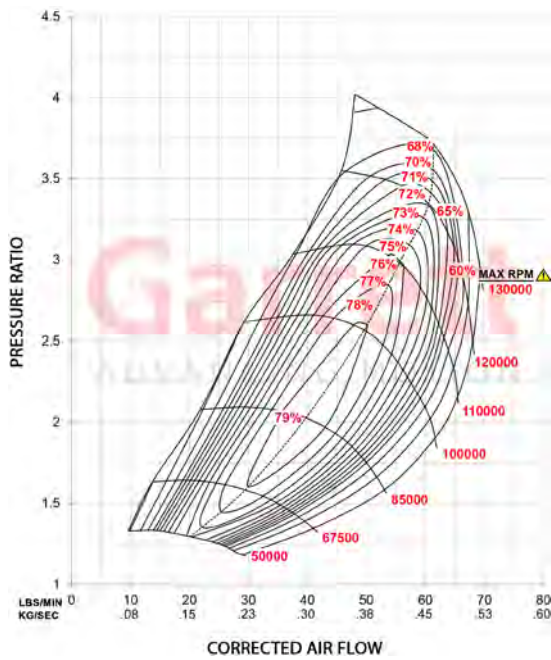
GT3076R		Compressor				Turbine		
HP: 310-525	Disp: 2.0L-3.5L	Inducer	Exducer	Trim	A/R	Inducer	Exducer	Trim
Supercore		57mm	76mm	56	0.60	60mm	55mm	84
		PN 836028-5003S						
Turbine Kits: GT30		PN		A/R	Inlet	Outlet	Wastegate	Divided
Interchangeable with GT, GTX		740902-0009		0.63	T3	V-Band	Free Float	N
Gen I, and GTX Gen II 30		740902-0008		0.82	T3	V-Band	Free Float	N
Series Supercores		740902-0007		1.06	T3	V-Band	Free Float	N
		740902-0036		0.61	V-Band	V-Band	Free Float	N
		740902-0035		0.83	V-Band	V-Band	Free Float	N
		740902-0034		1.01	V-Band	V-Band	Free Float	N
		PN		A/R	Inlet	Outlet	Wastegate	Divided
Wastegated turbine assembly does		771300-0006		0.63	T3	5 bolt	Wastegated	N
not include bolts, clamps, or actuator		771300-0005		0.82	T3	5 bolt	Wastegated	N
		771300-0004		1.06	T3	5 bolt	Wastegated	N

Garrett GT3582R

Horsepower: 400 - 675
Displacement: 2.0L - 4.5L



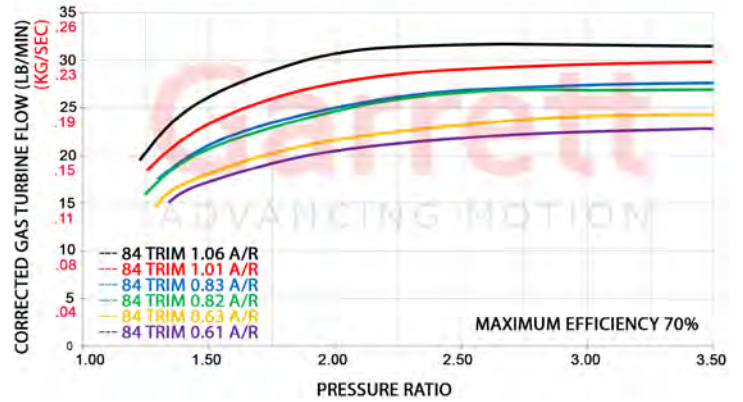
COMPRESSOR MAP



FEATURES:

- ◆ ORIGINAL GT SERIES AERODYNAMICS
- ◆ INTERNALLY WASTEGATED TURBINE HOUSING
- ◆ NON WASTEGATED TURBINE HOUSINGS AVAILABLE
- ◆ BALL BEARING CONFIGURATION WITH WATER COOLED CHRA
- ◆ V-BAND TURBINE HOUSING OPTIONS

EXHAUST FLOW CHART



GT3582R	Compressor				Turbine			
	HP: 400-675 Disp: 2.0L-4.5L	Inducer 61mm	Exducer 82mm	Trim 56	A/R 0.70	Inducer 68mm	Exducer 62mm	Trim 84
Supercore	PN 836033-5002S							
Turbine Kits: GT35	PN		A/R	Inlet	Outlet	Wastegate	Divided	
Interchangeable with GT, GTX	740902-0012		0.63	T3	V-Band	Free Float	N	
Gen I, and GTX Gen II 35 Series	740902-0011		0.82	T3	V-Band	Free Float	N	
Supercores	740902-0010		1.06	T3	V-Band	Free Float	N	
	740902-0018		0.63	T4	V-Band	Free Float	N	
	740902-0017		0.82	T4	V-Band	Free Float	N	
	740902-0016		1.06	T4	V-Band	Free Float	N	
	740902-0033		0.61	V-Band	V-Band	Free Float	N	
	740902-0032		0.83	V-Band	V-Band	Free Float	N	
	740902-0031		1.01	V-Band	V-Band	Free Float	N	
	PN		A/R	Inlet	Outlet	Wastegate	Divided	
Wastegated turbine assembly does	771300-0003		0.63	T25	5 Bolt	Wastegated	N	
not include bolts, clamps, or actuator	771300-0002		0.82	T3	5 Bolt	Wastegated	N	

GARRETT VENT | WASTEGATES



Garrett Vent | External Wastegates regulate turbocharger shaft speed by venting exhaust gas around the turbine stage of the turbocharger. CFD optimized design maximizes flow and delivers optimum boost control. Advanced thermal optimization increases durability of the diaphragm. The cap design makes spring changes and serviceability of the entire GVW lineup easier and more reliable to perform.



GARRETT VENT | EXTERNAL WASTEGATES

External wastegates for turbocharged racing and performance engines

Garrett Vent | External wastegates are created by the engineers that designed G-Series and GTX Gen II turbochargers. Available in three sizes: 40mm | 45mm | 50mm and four color combinations: Red | Blue | Black | Silver. The valve housing is cast from high temp stainless steel and rated for exhaust temperatures up to 1050° C. CFD optimized for maximum flow and thermal efficiency. Our Nomex reinforced elastomer diaphragm provides exceptional durability and fatigue resistance.

GVW wastegates are set to 1 Bar | 14.5 PSI of base pressure and can be configured from 0.2 Bar | 2.9 PSI - 1.7 Bar | 24.7 PSI (considering 1:1 back pressure). The actuator design allows for multiple air/liquid fitting orientations. All fasteners, springs, fittings, V-bands, clamps, and flanges included. For pricing and availability please contact an authorized distributor.

Model	Base Pressure	Red	Blue	Black	Silver
GVW-40	1 Bar 14.5 PSI	908827-0001	908827-0002	908827-0003	908827-0004
GVW-45	1 Bar 14.5 PSI	908828-0001	908828-0002	908828-0003	908828-0004
GVW-50	1 Bar 14.5 PSI	908829-0001	908829-0002	908829-0003	908829-0004

Features:

- CFD tested for maximum flow and thermal efficiency
- Optimized actuation stability and temperature resistance for superior durability
- Replaceable valve and bushing components to increase service life
- Robust design for easy diaphragm replacement
- Liquid-cooled actuator ports for use on severe applications (up to 52% reduction in body temp)
- Anodized aluminum actuator cover



Mechanical Data	GVW-40	GVW-45	GVW-50	Material Data	GVW-40 GVW-45 GVW-50
Valve Diameter	40mm	45mm	50mm	Valve Housing	High temp stainless steel rated up to 1050°C
Valve Mass	1.27kg 45oz	1.47kg 52oz	1.56kg 55oz	Diaphragm	High temp Nomex reinforced elastomer
Max Spring Base Pressure	1.7 bar 25 psi (1:1 backpressure ratio)			Actuator Cover	Fully-machined anodized 6061 aluminum
Minimum Spring Base Pressure	0.2 bar 3 psi (1:1 backpressure ratio)			Valve Guide/Bushing	Nitronic 60
Port Fitting: Air	M10x1.0 to hose barb (Hose ID 6mm .25in)			Valve	High temp stainless steel with plated stem
Port Fitting: Liquid	M8x1.0 to AN-3			V-Band	CNC machined 304 stainless steel
				Flanges	Fully-machined 304 stainless steel
				Springs	17/7 PH stainless steel

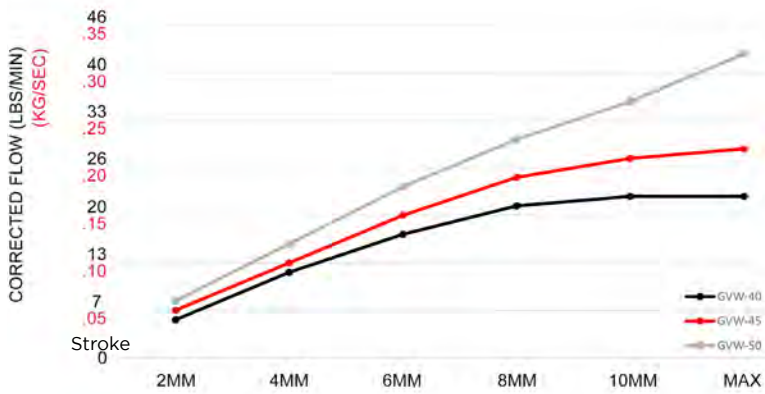
Thermal Data	GVW-40 GVW-45 GVW-50
Max Thermal Stress (Non-Cooled)	270°C actuator body temp during thermal cycle test
Max Thermal Stress (Liquid-Cooled)	130°C actuator body temp during thermal cycle test
Max Exhaust Temp: Peak	Up to 1050°C



GARRETT VENT | EXTERNAL WASTEGATES

External wastegates for turbocharged racing and performance engines

Flow Data

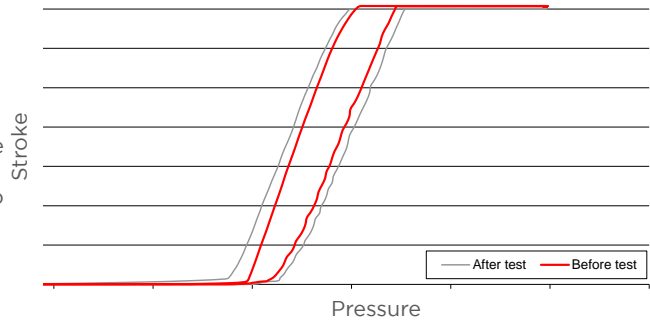


Actuation Durability Test Data

When researching and testing common shortfalls of wastegates, we observed how heat cycling and normal wear can rapidly change their actuation characteristics. Garrett engineers created GVW as a high flowing product with low degradation in performance over its lifespan.

Actuation data (opening and closing) in the chart was measured before and after extreme testing conditions. Results show the heat cycled GVW product maintains linear control of the wastegate as compared to the new product.

Precise actuation of the GVW provides accurate calibration settings and performance throughout the lifespan of the product. Accurate wastegates, allow for optimum performance of the turbocharger.



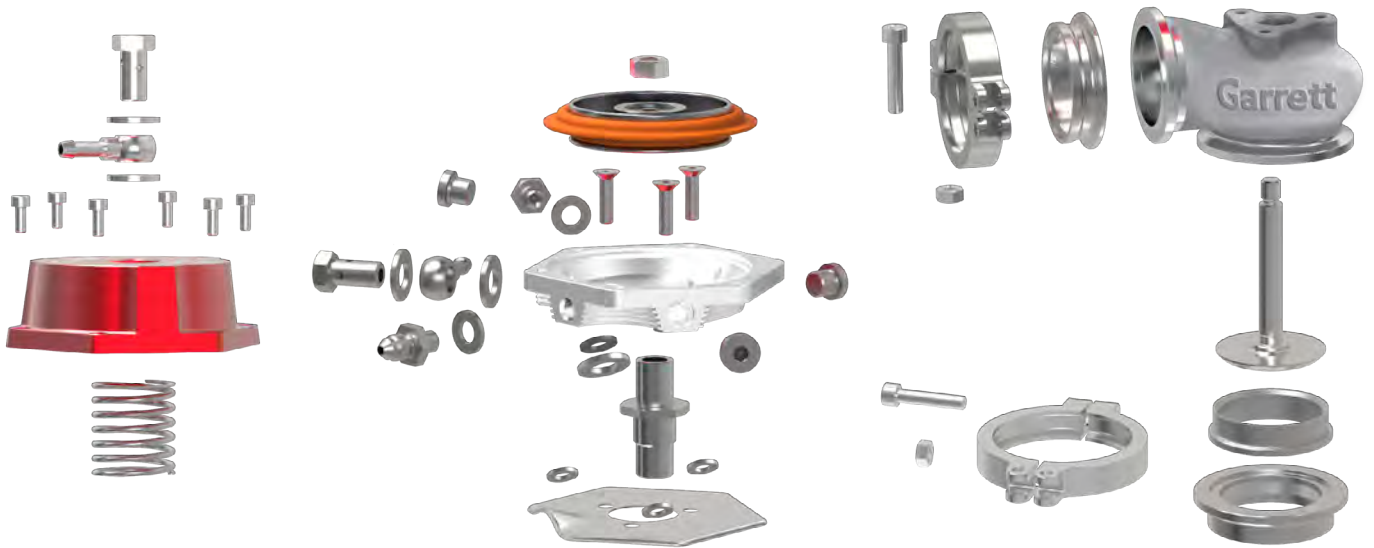
Spring Pressure Chart

	BASE PRESSURE																
	PSI 3	4	6	7	9	10	12	13	14.5	16	17	19	20	22	23	25	
GVW-40	Bar 0.2	0.3	0.4	0.5	0.6	0.7	0.8	0.9	1	1.1	1.2	1.3	1.4	1.5	1.6	1.7	
Red	x						x	x		x							
Blue		x						x	x		x			x	x	x	
Green			x					x				x					
White				x				x					x	x		x	
Brown					x				x					x			
Purple									x	x	x	x			x	x	
GVW-45 GVW-50	PSI 3	4	6	7	9	10	12	13	14.5	16	17	19	20	22	23		
	Bar 0.2	0.3	0.4	0.5	0.6	0.7	0.8	0.9	1	1.1	1.2	1.3	1.4	1.5	1.6		
Blue	x					x	x		x	x				x	x		
Green		x						x			x	x		x			
White			x			x		x					x		x		
Brown				x			x	x	x	x	x						
Purple												x	x	x	x		
Black										x	x	x	x	x	x		

Spring pressures are calculated based on a 1:1 boost/backpressure ratio. Actual intake manifold (boost) pressure can vary

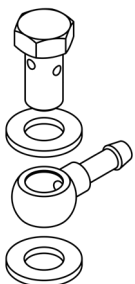
GARRETT VENT | EXTERNAL WASTEGATES

Ancillary Part Chart | Tightening Torque Specs

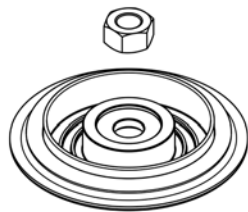


Description	Tightening Torque Nm ft-lb	GVW-40	GVW-45	GVW-50
Kit: Air Fitting (Banjo Fitting, Bolt, 2 Crush Washers)	15 11		910477-0001	
Kit: Diaphragm (Diaphragm Assy, Valve Stem Nut)	10 7	910476-0001		910476-0002
Kit: Valve/Bushing (Valve,Bushing,Seal Washer,O-Ring,Valve Stem Nut,Seat)	10 7	910478-0001	910478-0002	910478-0003
Kit: V-Band Inlet (V-Band, Bolt, Locknut)	15 11	910475-0001	910475-0003	910475-0004
Kit: V-Band Outlet (V-Band, Bolt, Locknut)	15 11	910475-0002	910475-0001	910475-0003
Bolt, Actuator Body	5 4			
Bolt, Actuator Cap	2.5 2.0		894537-0001	
Bolt, V-band	NA		894540-0006	
Bolt, Banjo Fitting	15 11			
Bushing	30 22			
Fitting, Water 8mm	10 7		895520-0001	
Fitting, Plug Air 10mm	15 11		895519-0001	
Flange, Inlet Weld	NA	894649-0003	894649-0001	894649-0007
Flange, Outlet Weld	NA	894649-0004	894649-0002	894649-0008
Locknut, V-band	15 11		905694-0001	
Nut, Valve	10 7			
Nut, V-Band	15 11			
Seat, Valve	NA	894648-0002	894648-0001	894648-0004
Spring, Red (See Spring Chart For Spring Pressure)	NA	898344-0001		
Spring, Blue (See Spring Chart For Spring Pressure)	NA		898344-0002	
Spring, Green (See Spring Chart For Spring Pressure)	NA		898344-0003	
Spring, White (See Spring Chart For Spring Pressure)	NA		898344-0004	
Spring, Brown (See Spring Chart For Spring Pressure)	NA		898344-0005	
Spring, Purple (See Spring Chart For Spring Pressure)	NA		898344-0006	
Spring, Black (See Spring Chart For Spring Pressure)	NA		898344-0008	
Washer, Crush 8mm	NA		895518-0002	
Washer, Crush 10mm	NA		895518-0001	

GVW Replacement Part Kits



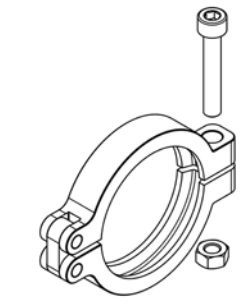
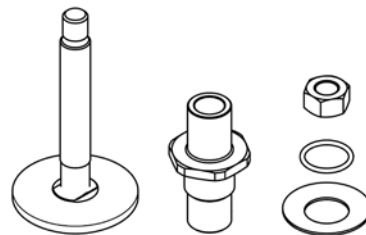
Air Fitting Kit



Diaphragm Kit



Valve/Bushing Kit



V-Band Inlet | Outlet Kit



Garrett
ADVANCING MOTION

ACCESSORIES

PN	Kit Type	Description	Speed Sensor	Harness	Gauge	Bolt
781328-0001	Street	GTX Gen II GTX GT GTW	Y	Y	Y	
781328-0002	Pro	GTX Gen II GTX GT GTW	Y	Y		
781328-0003	Street	G Series GTX55 Gen II GTX50 Gen II GTX47 Gen II	Y	Y	Y	Y
781328-0004	Pro	G Series GTX55 Gen II GTX50 Gen II GTX47 Gen II	Y	Y		Y

Speed Sensors: Select Garrett turbochargers come standard with a fully machined speed sensor port. Just remove the bolt and screw in the appropriate kit for your application. GT and GTX Gen I turbos can be machined by a shop of your choice to retrofit the speed sensor port. G Series turbochargers utilize a new and easy to install sensor that does not need to be calibrated. GT/GTX speed sensor kits not applicable with G Series turbochargers.

Maximum Performance

Comparing boost levels and shaft speed on a compressor map, you can determine the ideal operating conditions to ensure peak power over a wider operating range. All Garrett Turbocharger Speed Sensor Kits are compatible with data loggers to enhance engine tuning capability. In addition, the Garrett-branded gauge's maximum speed recall function will retain the highest wheel speed for five minutes for easy mapping. The data gained from the Garrett Turbocharger Speed Sensor Kit can be used to closely estimate the engine's flow behavior without a flow bench. Flow information is invaluable for determining if the turbocharger is reaching its maximum performance, for validating the turbo match, and for ensuring that it is not over speeding, allowing you to avoid potentially damaging operating conditions. This kit could even be used in conjunction with an aftermarket ECU to limit compressor speed. The Garrett Turbocharger Speed Sensor Kit will help you be sure you've got the correct turbo for your needs!

Easy To Use

The Garrett Turbocharger Speed Sensor works with any turbocharger to accurately determine compressor wheel speed. The instructions include detailed drawings of the exact machining specifications for all Garrett GT and GTX Gen I catalog turbochargers as well as general guidelines for other compressor housing types. G Series / GTX55 Gen II / and GTX50 Gen II turbochargers use a new sensor that eliminates the calibration process. The Garrett Turbocharger Speed Sensor Kit includes all necessary wiring for easy installation and simple data logging.



Boost Gauge: The Garrett Mechanical Boost Gauge is the perfect addition to your interior for the important job of accurately monitoring your boost levels. The gauge has a sleek design and features a black face, white back lit numbers and a brushed aluminum ring. The gauge monitors boost from 30 Hg of vacuum to 30 psi of boost and is available in PSI and BAR configurations.

Boost Gauge Components: gauge, mounting bracket, hose, fitting, mounting hardware.

Boost Gauge PSI Part Number: 773326-0001

Boost Gauge BAR Part Number: 773326-0002



Divided V-Band Inlet Adapter: The Garrett divided V-Band adapter is for enthusiasts that are fabricating divided exhaust manifolds. This adapter mates perfectly with GT/GTX 30 and 35 divided V-Band turbine housings and has two 2" recessed orifices that feed into the flange.

Turbine Inlet Divided V-Band Adapter: Compatible with GT/GTX 30 & 35 divided turbine housings.
V-Band Adapter Part Number: 813444-0001



V-Band Turbine Outlet Adapter: The Garrett V-Band outlet adapter is for fabricating the turbo down pipe. This adapter mates perfectly with the G25 | G30 | G35 | GT30 | GT35 | GTX30 | GTX35 turbine housing outlet. It has a 3" recessed opening feeding the flange.

V-Band Adapter Part Number: 774175-0001



Adjustable Wastegate Bracket: The Garrett Adjustable Wastegate Bracket allows for a greater range of motion to set up the compressor outlet and wastegate can. The bracket also allows for redirection of the actuator to keep vacuum lines away from heat or sharp edges. The adjustable actuator bracket is available for use on GT25R, GT28R and GT30R turbochargers.

V-Band Adapter Part Number: 773151-0002



Actuator Kits: Garrett actuator kits are for use on internally wastegated turbine housings. These kits are designed to regulate shaft speed by venting exhaust gas out of the turbine housing.

PN	Model	Bar	Actuator Assembly
480009-0009	G GT GTX28	0.5	Actuator * Rod end, jam nut, bracket, heat shield not included
480009-0006	G GT GTX28	1.0	
480009-0010	G GT GTX28	1.5	

Kit PN	Model	Bar	Actuator Assembly Kit
700187-0001	T25		Actuator , bracket, rod end, jam nut, and heat shield
759498-0001	GT GTX28	0.5	Actuator, rod end, jam nut *Bracket and heat shield not included
759498-0005	GT GTX28	1.5	
759498-0007	GT GTX28	1.0	
759498-0004	GT GTX35R	0.8	G Series standard rotation, actuator, rod end, jam nut *Heat shield not included
759498-0008	G25	1.0	
759498-0010	G25	1.5	
759498-0011	G25	1.0	G Series reverse rotation, actuator, rod end, jam nut *Heat shield not included
759498-0013	G25	1.5	

- 759498-0001 -0005 -0007 for use with universal actuator 773151-0002, additional rod end 409878-0001 is required
- 759498-0004 for use with turbine housing wastegate family 771300



Important product information:

Garrett Performance Kits are professional aftermarket products only designed for certain racing vehicles driven on particular racing tracks and shall only be used on racing vehicles that will never be driven on public roads or highways. Garrett Performance Kits are not legal for use in vehicles on public roads or other roads to which public road law applies. Any vehicle modifications using Garrett Performance Kits are AT YOUR OWN RESPONSIBILITY and AT YOUR OWN RISK. Only use Garrett Performance Kits in compliance with all applicable laws, regulations and ordinances (including but not limited to emission, noise, operating license, performance, safety and type-approval aspects). A vehicle modification using Garrett Performance Kits may particularly affect or void a vehicle's warranty, operating license or type-approval. Moreover, only use Garrett Performance Kits in compliance with all applicable racing and racing track provisions. It is YOUR OWN RESPONSIBILITY AND RISK to ensure that your Garrett Performance Kit fits your vehicle and area of application. YOU MUST ENSURE LAWFUL AND SAFE OPERATIONS AT ANY TIME. You should particularly consult the owner's manual and service manual of your vehicle. You should also contact your vehicle's manufacturer to determine what effects modifications may have on important aspects such as safety, warranty, performance, etc. Only install and use Garrett Performance Kits if you have fully read and understood this important safety information and if you fully agree with the terms and conditions set forth therein.



2014 - 2018
VOLKSWAGEN | AUDI 2.0L
TSI MK7 STAGE 1 | STAGE 2



2013 - 2018
FORD ECOBOOST 2.0L
FOCUS ST | ESCAPE | FUSION | TAURUS



2017 +
FORD ECOBOOST 3.5L
F-150 | RAPTOR | STAGE 2



2014 - 2019
HOLDEN | CHEVROLET 2.8L
COLORADO XLDE DIESEL



2011 - 2021
FORD EVEREST | RANGER PX1 PX2 PX3
2011 - 2020
MAZDA BT-50



2007 - 2018
TOYOTA 4.5L
LAND CRUISER 1VD-FTV



2011 - 2017
FORD ECOBOOST 3.5L
F-150 | EXPEDITION | STAGE 1



2003 - 2011
VOLKSWAGEN | AUDI | 1.9L 2.0L
BEETLE | GOLF | JETTA | PASSAT | A3



2011 - 2016
CHEVROLET | GMC 6.6L
2500HD | 3500HD



1999.5 - 2007
FORD POWERSTROKE 7.3L
F-250 | F-350



1996.5 - 2007
FORD POWERSTROKE 6.0L
F-250 | F-350



2004.5 - 2010
CHEVROLET | GMC 6.6L
2500HD | 3500HD STAGE 1 STAGE 2



2015 +
FORD ECOBOOST 2.3L
MUSTANG



2015+
FORD ECOBOOST 3.5L | 2.7L
F-150 | RAPTOR



2013 - 2018
FORD ECOBOOST 2.0L
FOCUS ST



2015+
SUBARU 2.0L
WRX



2011 - 2021
FORD EVEREST | RANGER PX1 PX2 PX3
2011 - 2020
MAZDA BT-50



2015 +
BMW 3.0L
F80 M3 | F82 / F83 M4



2016 +
HONDA 1.5L
CIVIC T/SI



Use Your Smart Phone
Camera To Scan

PowerMax™ direct fit performance turbocharger kits are engineered for increased engine performance while maintaining OEM direct fitment. With professional engine calibration and tuning, the optimized compressor aero will increase flow and outperform the stock turbocharger. These products are not approved for street use. Installation may affect the vehicle's safety, warranty, and operating license. For details, contact your vehicle's manufacturer or turbo kit distributor.



POWERMAX™ DIRECT FIT PERFORMANCE TURBOCHARGERS

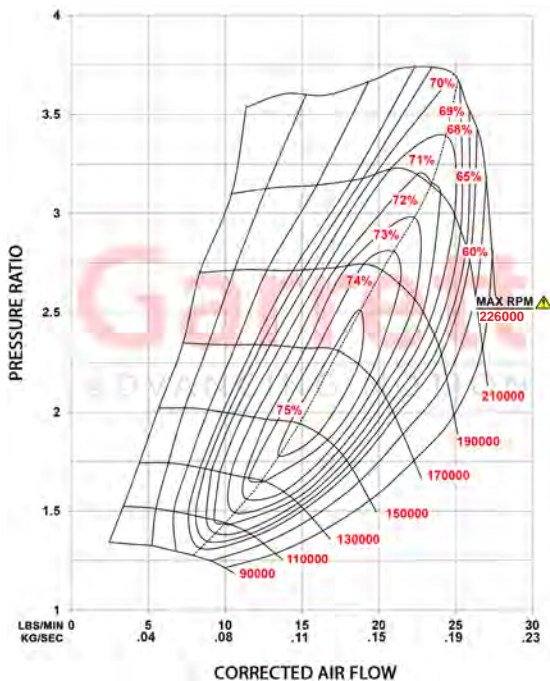
Applications: Stage 1 Turbo Upgrade for F-150 3.5L | Expedition | Navigator 3.5L (2011 - 2017)

Part Numbers 881027-5001S | 881028-5001S | 881027-5002S | 881027-5002S

This Garrett PowerMax™ turbocharger upgrade for the Ford 3.5L EcoBoost engine platform is engineered to increase engine performance capability while maintaining OEM installation specifications. This direct drop-in stage 1 upgrade provides 22% more flow than OEM and will support up to 300HP* from each turbo. Improvements in efficiency and flow can be attributed to the light weight forged fully-machined compressor wheel. Boost response of this PowerMax turbocharger compared to OEM has not been tested. This turbocharger kit comes fully assembled and calibrated and is outline interchangeable with the OE hardware to ensure a perfect fit every time. Contact your local authorized Garrett distributor for additional information and pricing.

**Please refer to the legal notice on page 82 before purchasing this product.*

Part Number	Year	Model	Make	Engine	OEM PN	Notes:
881027-5001S	2011-2012	F-150	Ford	3.5L EcoBoost	CL3Z-6K682-C	Left Turbocharger
881028-5001S	2011-2012	F-150	Ford	3.5L EcoBoost	CL3Z-6K682-D	Right Turbocharger
881027-5002S	2013-2016	F-150	Ford	3.5L EcoBoost	DL3Z-6K682-E	Left Turbocharger
881028-5002S	2013-2016	F-150	Ford	3.5L EcoBoost	DL3Z-6K682-F	Right Turbocharger
881027-5002S	2015-2017	Expedition	Ford	3.5L EcoBoost	DL3Z-6K682-E	Left Turbocharger
881028-5002S	2015-2017	Expedition	Ford	3.5L EcoBoost	DL3Z-6K682-F	Right Turbocharger
881027-5002S	2015-2017	Navigator	Lincoln	3.5L EcoBoost	DL3Z-6K682-E	Left Turbocharger
881028-5002S	2015-2017	Navigator	Lincoln	3.5L EcoBoost	DL3Z-6K682-F	Right Turbocharger



WARNING: Maximum allowable turbocharger speed is 226krpm. The use of this product above max turbocharger speed is at the owner's risk, and can result in damage and premature failure. To protect the turbocharger from overspeed when operating, a speed sensor port is machined into the compressor housing for the fitment of speed sensor part numbers 781328-0001 (includes sensor and gauge), and 781328-0002 (includes speed sensor). Speed sensors sold separately.

* Estimated Horsepower. Performance results of this product are highly dependent upon your vehicle's modifications and tuning/calibration. The horsepower numbers represented above are calculated based strictly on choke flow of the compressor map (total turbo capability), which represents the potential flywheel horsepower.



POWERMAX™ DIRECT FIT PERFORMANCE TURBOCHARGERS

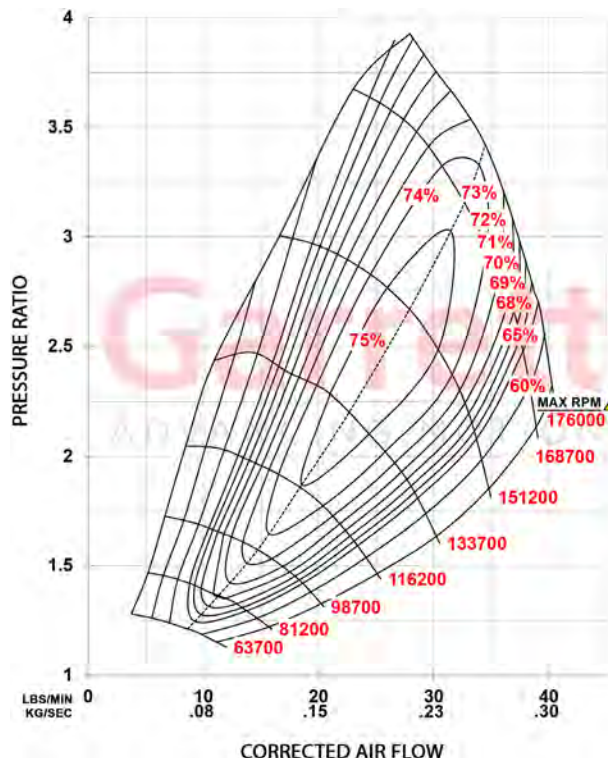
Application: Stage 2 Turbo Upgrade For Ford Raptor | F-150 3.5L (2017+) Supports up to 700+WHP**

Part Number 901654-5001W* | 901655-5001W*** (Includes stock inlet adapter and o-ring. Does not include gaskets)**

The Garrett PowerMax™ Stage 2 turbocharger upgrade for the 2017+ F-150 and F-150 Raptor platform is engineered to increase engine performance capability while maintaining OEM installation specifications. This direct drop-in Stage 2 upgrade provides 54% more flow than OEM and will support up to 700+ BHP *. Improvements in compressor efficiency and flow can be attributed to the 60mm fully-machined compressor wheel. Turbine flow is increased by 52% compared to OEM with a 50mm Inconel turbine wheel and larger 0.45 A/R turbine housing. This turbocharger kit comes fully assembled, calibrated, and is outline interchangeable with the OE hardware to ensure a perfect fit every time.

**Please refer to the legal notice on page 82 before purchasing this product.*

PowerMax Stage 2: 2017+ Ford F-150 F-150 Raptor				Compressor				Turbine		
Turbo PN	Bearing	Rotation	Actuation	Inducer	Exducer	Trim	A/R	Inducer	Exducer	Trim
901654-5001W	Journal	Standard	Electric	45mm	60mm	57	0.60	50mm	46mm	84
901655-5001W	Journal	Reverse	Electric	45mm	60mm	57	0.60	50mm	46mm	84



Features:

- Direct-fit Stage 2 upgrade (LH & RH Turbos)
- Compressor housing inlet (2.75") is larger than stock to allow for increased flow and optimized surge port
- Adapter for stock inlet tube included with turbo kit
- Turbo model: GT2260S
- 700+ BHP capability **
- Complete assembly with calibrated electric actuator
- Billet compressor wheel with 54% increased flow
- Inconel turbine wheel with 52% increased flow
- Modern compressor and turbine wheel aero
- Tuned ported shroud for optimal compressor surge and choke performance
- Speed sensor port: use PN 781328-0003 (street kit) or 781328-0004 (pro kit)
- Journal-bearing rotating group



Stock inlet adapter (for use with the stock intake system) and the 2.75 inch adapter (for use with larger than stock intake systems) have different performance potentials.



WARNING: Maximum allowable turbocharger speed is 176krpm. The use of this product above max turbocharger speed is at the owner's risk, and can result in damage and premature failure. To protect the turbocharger from overspeed when operating, a speed sensor port is machined into the compressor housing for the fitment of speed sensor part numbers 781328-0003 (includes sensor and gauge), and 781328-0004 (includes speed sensor). Speed sensors sold separately.

** Estimated Horsepower. Performance results of this product are highly dependent upon your vehicle's modifications and tuning/calibration. The horsepower numbers represented above are calculated based strictly on choke flow of the compressor map (total turbo capability), which represents the potential flywheel horsepower.



POWERMAX™ DIRECT FIT PERFORMANCE TURBOCHARGERS

Application: Stage 1 & 2 TURBO UPGRADE FOR VW / Audi 2.0L TSI 2014+

Part Number: Stage 1 898199-5001W | Stage 2 898200-5001W

Garrett PowerMax™ turbocharger upgrades for the Volkswagen and Audi 2.0L TSI engine platform is engineered to increase engine performance while maintaining OEM installation specifications. Stage 1 (485 BHP*) and Stage 2 (600 BHP*) upgrades maximize efficiency and air flow compared to the OEM turbocharger. High temperature, Mar-M alloy turbine wheel and twin scroll stainless steel turbine housings are rated for up to 1050° C. These turbochargers are fully assembled with a calibrated electronic actuator and ancillary components for direct OEM fitment.

**Please refer to the legal notice on page 82 before purchasing this product.*

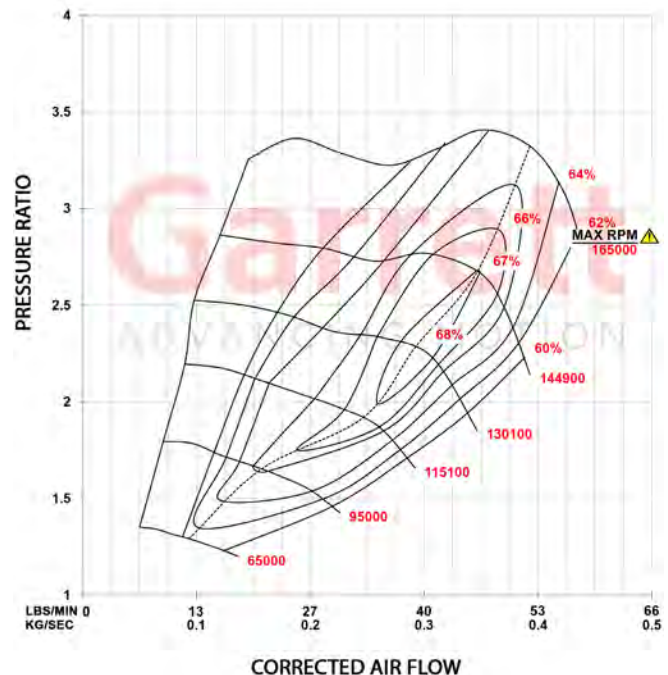
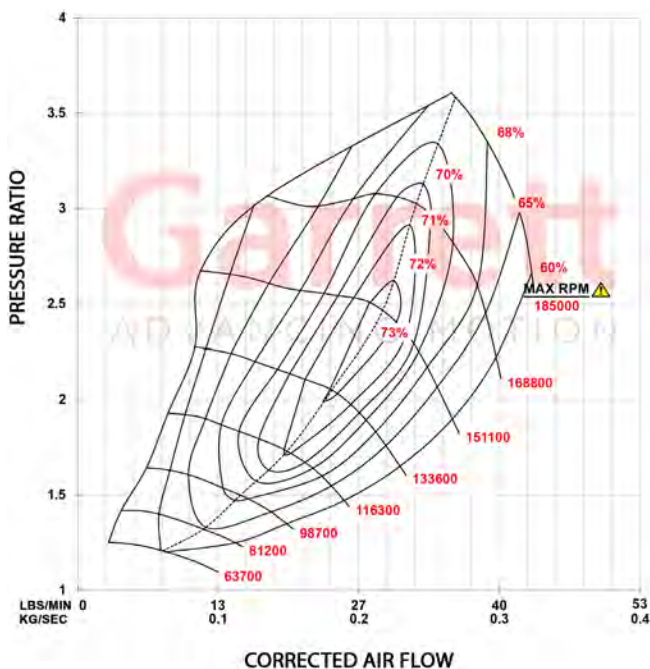
Part Number	Stage	Power	Model	Comp Ind	Comp Exd	Turb Ind	Turb Exd
898199-5001W	Stage 1	485HP 362kW	GT2260S	47mm	60mm	50mm	45mm
898200-5001W	Stage 2	600HP 447kW	G25-660	54mm	67mm	54mm	49mm

Stage 1 Features:

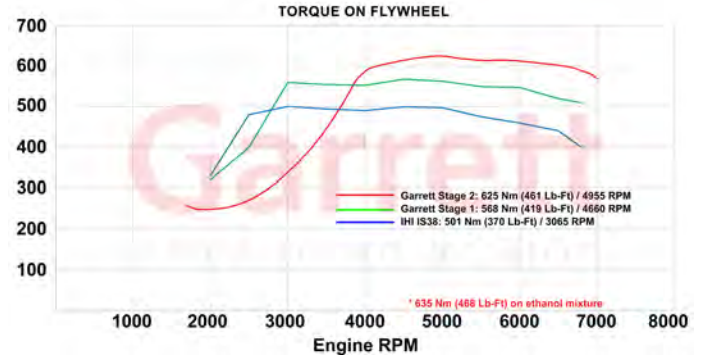
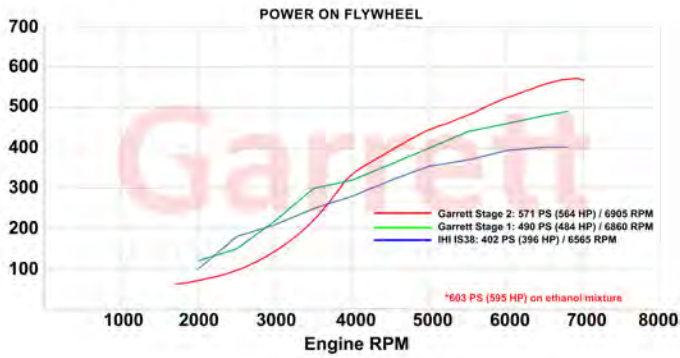
- Direct-fit stage 1 with 485HP | 362kW (flywheel) power capability (on-vehicle results)*
- Complete assembly with electronic actuator
- +17% compressor flow compared to IS38 turbo (stock Golf 4)
- GTX Gen II compressor aerodynamics
- Mar-M alloy turbine wheel and twin scroll stainless steel turbine housing rated up to 1050° C
- Latest generation of journal bearing rotating group with 360° reinforced thrust bearing

Stage 2 Features:

- Direct-fit stage 2 with 600HP | 447kW (flywheel) power capability (on-vehicle results)*
- Complete assembly with electronic actuator
- +59% compressor flow compared to IS38 turbo (stock Golf 4)
- G Series compressor and turbine wheel aerodynamics
- Mar-M alloy turbine wheel and twin scroll stainless steel turbine housing rated up to 1050° C
- Latest generation of ball bearing rotating group



** Estimated Horsepower. Performance results of this product are highly dependent upon your vehicle's modifications and tuning/calibration. The horsepower numbers represented above are calculated based strictly on choke flow of the compressor map (total turbo capability), which represents the potential flywheel horsepower.



Make	Model	Year	Body & Trim	Engine	OEM Turbo
Audi	TT	2014 +	Base	2.0L L4 - Gas	IS20
Audi	TTS	2014 +	Base	2.0L L4 - Gas	IS38
Audi	A3	2015 - 18	Premium, Premium Plus, Prestige	2.0L L4 - Gas	IS20
Audi	A3 Quattro	2015 - 18	Premium, Premium Plus, Prestige	2.0L L4 - Gas	IS20
Audi	S3	2015 - 18	Premium Plus, Prestige	2.0L L4 - Gas	IS38
VW	Golf	2015	S, SE, SEL, Launch Edition	2.0L L4 - Gas	IS12
VW	Golf GTI	2015	Autobahn, S, SE	2.0L L4 - Gas	IS20
VW	Golf R	2015	Base	2.0L L4 - Gas	IS38
VW	Golf	2016	Base, S, SE, SEL	2.0L L4 - Gas	IS12
VW	Golf GTI	2016	Autobahn, S, SE	2.0L L4 - Gas	IS20
VW	Golf R	2016	Base	2.0L L4 - Gas	IS38
VW	Golf	2017	S, Wolfsburg Edition	2.0L L4 - Gas	IS12
VW	Golf Alltrack	2017	S, SE, SEL	2.0L L4 - Gas	IS12
VW	Golf GTI	2017	Autobahn, S, SE	2.0L L4 - Gas	IS20
VW	Golf R	2017	Base	2.0L L4 - Gas	IS38
VW	Golf	2018	S, SE, SEL	2.0L L4 - Gas	IS12
VW	Golf Alltrack	2018	S, SE, SEL	2.0L L4 - Gas	IS12
VW	Golf GTI	2018	Autobahn, S, SE	2.0L L4 - Gas	IS20
VW	Golf R	2018	Base	2.0L L4 - Gas	IS38
Audi	TT	2014-2018	Base	2.0L L4 - Gas	IS20
Audi	TT Quattro	2014-2018	Base	2.0L L4 - Gas	IS20
Audi	TTS Quattro	2014-2018	Base	2.0L L4 - Gas	IS38
Audi	S3	2013 - 16	Base	2.0L L4 - Gas	IS38
Audi	S3 (facelift)	2016 - 17	Base	2.0L L4 - Gas	IS38
Audi	SQ2 Quattro	2018-2020	Base	2.0L L4 - Gas	IS38
Seat	Leon Cupra	2014-2016	Base	2.0L L4 - Gas	IS20
Seat	Leon Cupra	2014-2018	280, 290	2.0L L4 - Gas	IS38
Seat	Leon Cupra (facelift)	2018-2020	290, 300, R	2.0L L4 - Gas	IS38
Cupra	Ateca	2018-2020	Base	2.0L L4 - Gas	IS38
Skoda	Octavia RS	2013-2016	Base	2.0L L4 - Gas	IS20
Skoda	Octavia RS (facelift)	2017-2020	Base	2.0L L4 - Gas	IS20
Skoda	Superb 4x4	2015-2019	Style, Ambition, SportLine	2.0L L4 - Gas	IS38
VW	Golf GTI	2013-2016	Base, Performance	2.0L L4 - Gas	IS20
VW	Golf R	2013-2016	Base	2.0L L4 - Gas	IS38
VW	Golf GTI	2016	Clubsport	2.0L L4 - Gas	IS38
VW	Golf GTI (facelift)	2017-2019	Base, Performance	2.0L L4 - Gas	IS20
VW	Golf GTI (facelift)	2019	TCR	2.0L L4 - Gas	IS38
VW	Golf R (facelift)	2017-2019	Base	2.0L L4 - Gas	IS38
VW	Passat 4MOTION	2018-2019	Base, Highline	2.0L L4 - Gas	IS38
VW	Arteon 4MOTION	2018-2020	Elegance, R-Line	2.0L L4 - Gas	IS38

O/E Turbocharger Part Numbers

European Applications

IS12 06K124713L
 IS20 06K145874M
 IS38 06K145722H



WARNING: Maximum allowable turbocharger speed is 185krpm (Stage 1) and 165krpm (stage 2). The use of this product above max turbocharger speed is at the owner's risk, and can result in damage and premature failure. To protect the turbocharger from overspeed when operating, a speed sensor port is machined into the compressor housing for the fitment of speed sensor part numbers 781328-0003 (includes sensor and gauge), and 781328-0004 (includes speed sensor). Speed sensors sold separately.

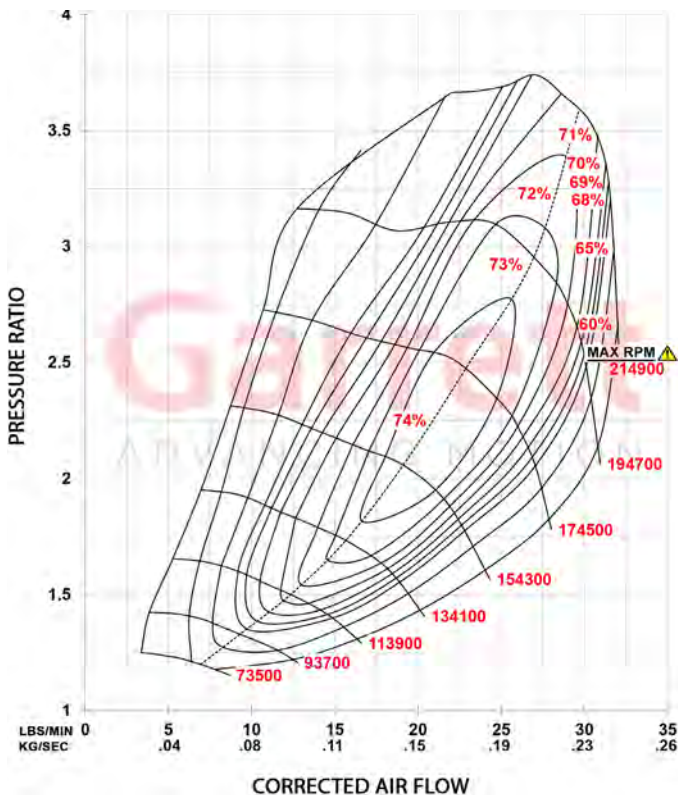


POWERMAX™ DIRECT FIT PERFORMANCE TURBOCHARGER

Applications: Stage 1 Turbo Upgrade For Ford 2.0L EcoBoost (2013 - 2018) Focus ST | Escape | Kuga | Fusion | Taurus | Lincoln
Part Number: 886195-5001S

The Garrett PowerMax™ Stage 1 turbocharger upgrade for the 2013 - 2018 2.0L Ford EcoBoost engine platform is engineered to increase engine performance capability while maintaining OEM installation specifications. This direct drop-in turbocharger provides up to 16% more flow than OEM and will support up to 350 BHP* (260kW). Improvements in compressor efficiency and flow can be attributed to the 52mm fully-machined compressor wheel with advanced aero design. Inconel alloy turbine wheel and stainless steel turbine housings are rated for up to 950° C. This turbocharger kit comes fully assembled, calibrated, and is outline interchangeable with the OE hardware to ensure a perfect fit every time. Contact your local authorized Garrett® distributor for additional information and pricing.

**Please refer to the legal notice on page 82 before purchasing this product.*



Part Number		886195-5001S
Model	Year	Body & Trim
Escape / Kuga	2014 - 2016	SE, Titanium
Focus	2013 - 2018	ST
Fusion	2013 - 2016	SE, Titanium
Police Sedan	2014 - 2018	Base
Taurus	2013 - 2017	Limited, SE, SEL
MKC	2015 - 2017	Base, Black Label, Premiere, Reserve, Select
MKT	2016	Base
MKZ	2013 - 2016	Base, Black Label
Engine	Type	2.0L EcoBoost
	Fuel	Gas
	Cylinders	4



WARNING: Maximum allowable turbocharger speed is 214.9krpm. The use of this product above max turbocharger speed is at the owner's risk, and can result in damage and premature failure. To protect the turbocharger from overspeed when operating, a speed sensor port is machined into the compressor housing for the fitment of speed sensor part numbers 781328-0001 (includes sensor and gauge), and 781328-0002 (includes speed sensor). Speed sensors sold separately.

* Estimated Horsepower. Performance results of this product are highly dependent upon your vehicle's modifications and tuning/calibration. The horsepower numbers represented above are calculated based strictly on choke flow of the compressor map (total turbo capability), which represents the potential flywheel horsepower.



POWERMAX™ DIRECT FIT PERFORMANCE INTERCOOLER

Application: 2013 - 2018 2.0L Ford Focus ST

Part Number: 880736-6001

The Garrett direct fit Ford Focus ST performance charge air cooler boasts a 115% larger core that helps reduce intake manifold temperatures by an average of 11 °F (6.1 °C) based on OBD II data. Optimized end tanks improve air flow through the core. This performance intercooler showed an increase of up to 25 HP (19 kW) and 9 lb-ft (12 N-m) of torque compared to OE during back to back dyno comparisons in a wind tunnel which generates air velocity that matches vehicle speed. During testing the heat saturation point increased from 4 dyno pulls to 8 dyno pulls.

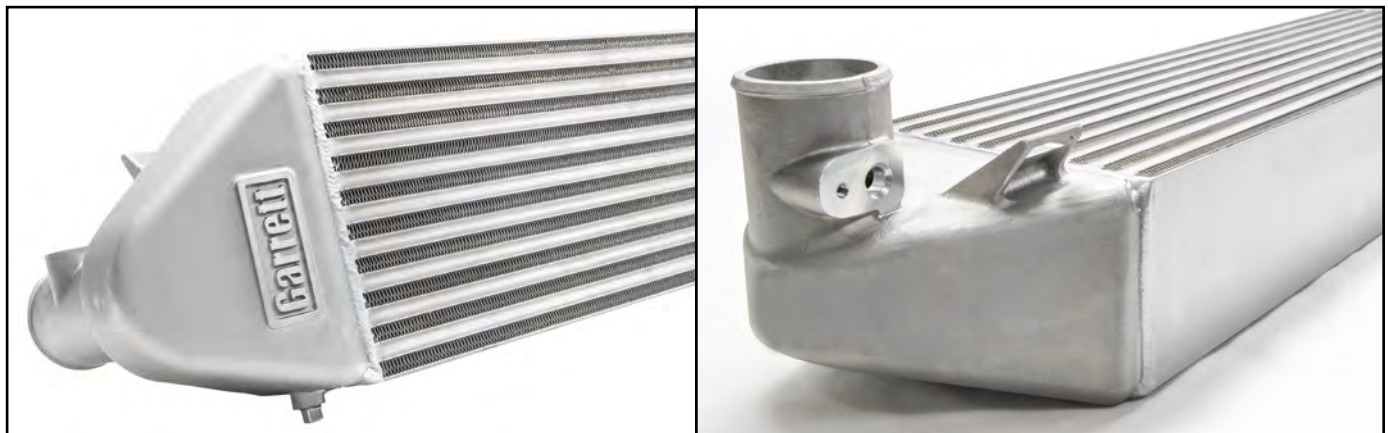
This direct fit performance intercooler installs in 1.5 hour and reuses the stock bolts, hoses, and clamps. Removal of the OE grill shutters required. For more information including Installation instructions please visit our website: www.garrettmotion.com/racing-and-performance/performance-catalog/intercoolers/

Features:

- Supports up to 670 HP (499 kW)
- 115% larger core than stock
- Installs in stock location
- Up to 25 HP (19 kW) and 9 lb-ft (12 N-m) of torque
- Average 11 °F (6.1 °C) reduction in intake temperature based on OBD II data
- Integrated drain plug to evacuate condensation
- Cast aluminum end tanks
- Advanced offset fin design
- Bar-and-plate construction

Part Number		880736-6001
Vehicle	Make	Ford
	Model	Focus ST
	Year	2013-2018
Engine	Type	2.0L
	Fuel	Gas
Weight	23 lbs / 10.4 kg	
Size Specs	26.3" x 4.3" x 7.8"	
	668mm x 109mm x 198mm	

*** Important:** For customers outside of North America, MAP sensor BV61-9F479-AA must be purchased separately and used for installation to ensure a proper fit





POWERMAX™ DIRECT FIT PERFORMANCE INTERCOOLER

Application: 2011-2021 Ford Ranger PX1 PX2 PX3 | Everest | 2011-2020 Mazda BT-50

Part Number: 881649-6001

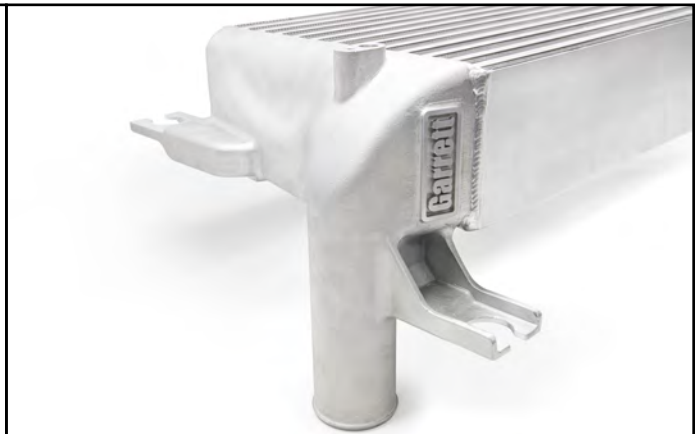
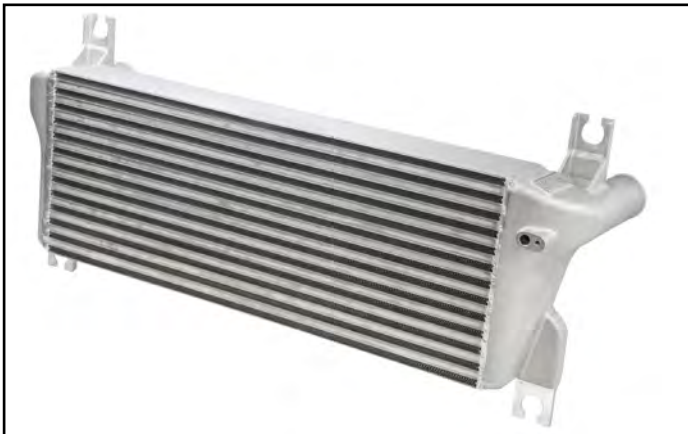
The Garrett direct fit performance charge air cooler for the Ford Ranger and Mazda BT50 boasts a 218% larger core that helps reduce intake manifold temperatures by an average of 32 °C based on test data. Optimized end tanks improve air flow through the core. This direct fit performance intercooler installs in 2.0 hours and reuses the stock bolts, hoses, and clamps.

This direct fit performance intercooler installs in 1.5 hour and reuses the stock bolts, hoses, and clamps. Removal of the OE grill shutters required. For more information including Installation instructions please visit our website: www.garrettmotion.com/racing-and-performance/performance-catalog/intercoolers/

Features:

- Supports up to 499 kW
- 218% larger core than stock
- Installs in stock location
- Cast aluminum end tanks
- Advanced offset fin design
- Bar-and-plate construction

Part Number		881649-6001	
Vehicle	Make	Ford	Mazda
	Model	Ranger PX1 PX2 PX3 Everest	BT-50
	Year	2011-2021	2011-2020
Engine	Type	3.2L 2.2L 2.0L	
	Fuel	Diesel	
Weight	12.56 kg		
Size Specs	680mm x 101mm x 260mm		



*** Important:** For applications outside of Australia, please contact your local distributor to ensure drop-in fitment as products may need modification or additional hoses/clamps.



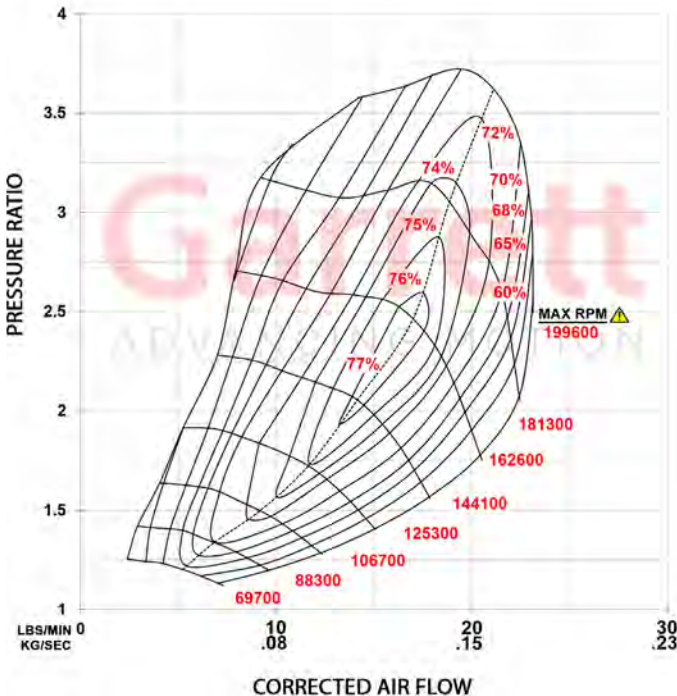
POWERMAX™ DIRECT FIT PERFORMANCE TURBOCHARGER

Applications: Stage 1 Turbo Upgrade for 2011-2021 Ford Ranger PX1 PX2 PX3 | Everest | 2011-2020 Mazda BT-50
Supports up to 172kW*

Part Number: 880862-5001W

This Garrett PowerMax™ direct fit turbocharger is designed for the 3.2L Duratorq 5 cylinder diesel engine platform found in the 2011-2021 Ford Ranger PX1 PX2 PX3 | Everest and the 2011-2020 Mazda BT-50. The forged, fully machined compressor wheel designed for the GTX Gen II product line increases flow by 20% over the OE wheel. With the correct engine calibration, this enables the engine to be tuned up to 172kW from OE standard 147kW. All Garrett PowerMax™ direct fit turbochargers are outline interchangeable with the OE turbocharger ensuring a perfect fit every time.

**Please refer to the legal notice on page 82 before purchasing this product.*



Part Number		880862-5001W **	
Turbo	Replaces OEM part numbers	798166-0006 (5006S)	
		812971-0006 (5006S)	
		853333-5001S	
Vehicle	Make	Ford	Mazda
	Model	Ranger PX1 PX2 PX3 Everest	BT-50
	Year	2011 - 2021	2011 - 2020
Engine	Type	Duratorq 3.2 / Powerstroke 3.2	
	Fuel	Diesel	
	Emissions	Euro V	
	Cylinders	5	

** Includes gasket kit

Features:

- GTX Gen II compressor wheel aerodynamics
- Wider compressor map for improved performance
- 20% more flow than the OE turbocharger



WARNING: Maximum allowable turbocharger speed is 199.6krpm. The use of this product above max turbocharger speed is at the owner's risk, and can result in damage and premature failure. To protect the turbocharger from overspeed when operating, a speed sensor port is machined into the compressor housing for the fitment of speed sensor part numbers 781328-0001 (includes sensor and gauge), and 781328-0002 (includes speed sensor). Speed sensors sold separately.

* Estimated Horsepower. Performance results of this product are highly dependent upon your vehicle's modifications and tuning/calibration. The horsepower numbers represented above are calculated based strictly on choke flow of the compressor map (total turbo capability), which represents the potential flywheel horsepower.



POWERMAX™ DIRECT FIT PERFORMANCE INTERCOOLER

Application: 2015+ Ford F-150 and Raptor 3.5L EcoBoost
Supports Up To 750 Horsepower | C.A.R.B Certified ✓
Part Number: 870702-6001

The Garrett direct fit F-150 charge air cooler boasts an 83% larger core than stock to provide up to 40 °F reduction in air temperature and up to 30% reduction in pressure drop. Optimized end tanks improve air flow through the core. This direct fit performance intercooler is easily installed and can support up to 750 horsepower all while reusing the stock bolts, hoses, and clamps.

This direct fit performance intercooler installs in 2.5 hours and reuses the stock bolts, hoses, and clamps. Removal of the OE grill shutters required. For more information including Installation instructions please visit our website: www.garrettmotion.com/racing-and-performance/performance-catalog/intercoolers/

Features:

- Supports up to 750 horsepower
- C.A.R.B Certified (EO# D-794)
- 83% larger core than stock
- Installs in stock location
- +16 horsepower at temperature saturation
- Up to 40 °F reduction in temperature
- Integrated drain plug to evacuate condensation

Part Number		870702-6001
Vehicle	Make	Ford
	Model	F-150
	Year	2015+
Engine	Type	3.5L / 2.7L
	Fuel	Gas
Size Specs	21" x 5.32" x 9.43"	





POWERMAX™ DIRECT FIT PERFORMANCE TURBOCHARGER

Application: Stage 1 Turbo Upgrade For 1.9L | 2.0L VW TDI Engines

VW 1.9L TURBO UPGRADE

Part Number: 778445-5002S 1.9L (175hp*)

The Garrett GT1749V is the first performance upgrade / replacement turbocharger available to the aftermarket for Volkswagen 1.9L TDI BEW Engines. The GT1749V comes equipped with a smart actuator, an industry exclusive, and a position sensor, which enables the turbocharger to communicate automatically with the Engine Control Unit (ECU). The kit is easy to install and suitable as a performance upgrade or replacement turbocharger. The Garrett VW TDI Kit also promotes a longer turbo and engine life span and increased reliability by lowering exhaust gas temperatures.

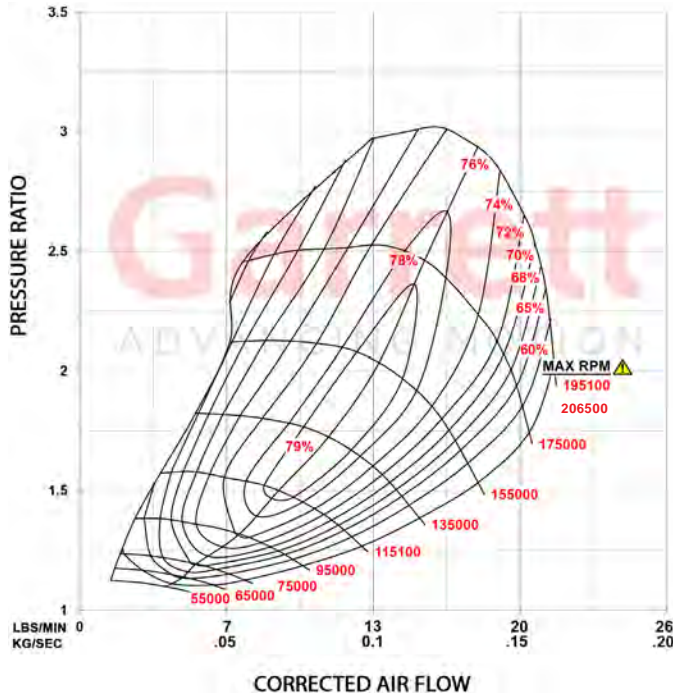
VW 2.0L TURBO UPGRADE

Part Number: 838946-5001S 2.0L (190hp*)

The Garrett GTA1749V is a performance upgrade / replacement turbocharger available to the Aftermarket for Volkswagen 2.0L TDI BKD/BKP/AZV engines. The GTA1749V comes equipped with a larger compressor wheel for increased flow and bolts directly to the stock engine manifold flange. The turbo is easy to install and suitable as a performance upgrade or replacement turbocharger. The Garrett VW TDI turbo also promotes a longer turbo and engine life span and increased reliability by lowering exhaust gas temperatures.

**Please refer to the legal notice on page 82 before purchasing this product.*

Volkswagen TDI 1.9L 2.0L Upgrade	Turbo PN	HP*	Compressor				Turbine			
			Inducer	Exducer	Trim	A/R	Inducer	Exducer	Trim	A/R
VW 1.9L TDI (BEW Engine) VNT	778445-5002S	175	36mm	49mm	55	0.46	43mm	38mm	76	0.61
VW 2.0L TDI (BKD Engine) VNT	838946-5001S	190	36mm	49mm	55	0.46	43mm	36mm	70	0.61



Replaces VW OE Part Numbers: 03G 253 010 J & 03G 253 010 J V100

- Vehicles: 2.0L TDI BKD/BKP/AZV engines
 2003.10-2009.07 – Golf V Mk5 A5 (PQ35) (typ 1K)
 2005.08-2011.05 – Jetta A5 (PQ35) (typ 1K)
 2003.08-2010.05 – Touran (typ 1T) – [AZV for 136 HP]
 2005.09-2010.05 – Passat B6 (typ 1T) – BKP
 2004.02-2010.05 – Skoda Octavia Mk2 (typ 1Z)
 2nd gen. [AZV fo 136HP]
 2009.01-2010.03 – Skoda Superb B6 (typ 3T)
 [BKD EA188]
 2005.07-2011.09 – Leon Mk2 (typ 1P)
 2004.03-2011.09 – Seat Altea
 2004.04-2009.05 – Seat Toledo 3
 2003.08-2007.05 – Audi A3 (Typ 8P)

Replaces VW OE Part Numbers: 038 253 019 S & 038 253 014 E Model: KP39 (3K)

- Vehicles: 2003.05 - 2006 Volkswagen Beetle TDI
 2003.05 - 2006 Volkswagen Golf TDI
 2003.05 - 2005 Volkswagen Jetta TDI



WARNING: Maximum allowable turbocharger speed is 206.5krpm. The use of this product above max turbocharger speed is at the owner's risk, and can result in damage and premature failure. To protect the turbocharger from overspeed when operating, a speed sensor port can be machined into the compressor housing for the fitment of speed sensor part numbers 781328-0001 (includes sensor and gauge), and 781328-0002 (includes speed sensor). Speed sensors sold separately.

* Estimated. Performance results of this product are highly dependent upon your vehicle's modifications and tuning/calibration. The horsepower numbers represented above are calculated based strictly on choke flow of the compressor map (total turbo capability), which represents the potential flywheel horsepower.



POWERMAX™ DIRECT FIT PERFORMANCE TURBOCHARGER

Application: Stage 1 | 2 Turbo Upgrade For 2004.5 - 2009 6.6L Duramax Engines

Stage 1 | 2004.5-2009 Chevy / GMC 2500, 3500
Part Number 773540-5001s (590HP*)

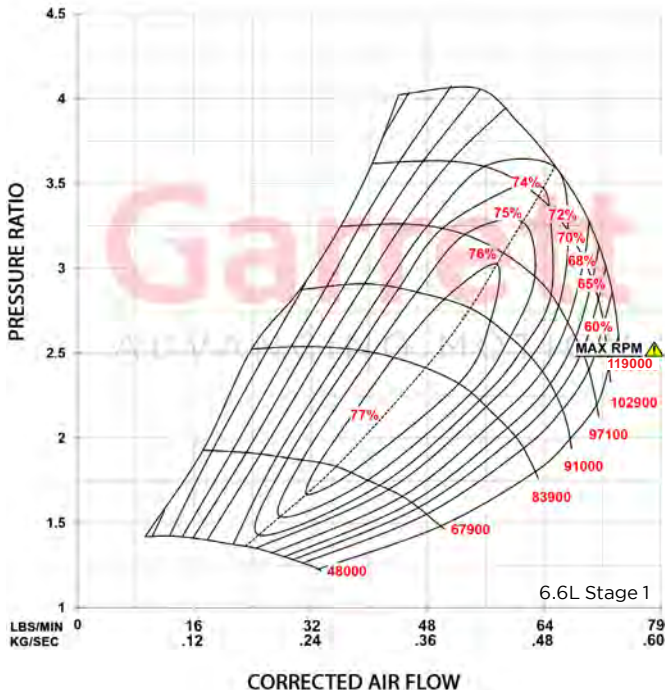
The Duramax Stage 1 turbocharger kit features Garrett patented Advanced Variable Nozzle Turbine AVNT™ design for increased compressor and turbine flow. The GT Series wheel design ensures top performance, lower back pressure and reduces intake and exhaust gas temperatures. The unique design features nine movable vanes which significantly increase turbine efficiency and improve engine performance from idle launch through peak torque. Patented integral electro-hydraulic actuation and proportional solenoid allow for infinitely variable control. Suitable as a performance upgrade or replacement for original equipment. Outline interchangeable with the OE turbo for a perfect fit each and every time.

Stage 2 | 2004.5-2009 Chevy / GMC 2500, 3500
Part Number 773542-5001s (630HP*)

The Duramax Stage 2 turbocharger kit features Garrett patented Advanced Variable Nozzle Turbine AVNT™ design for increased compressor flow and turbine flow. Utilizes nine movable vanes which significantly increase turbine efficiency and improve engine performance from idle launch through peak torque. Patented integral electro-hydraulic actuation and proportional solenoid for infinitely variable control. Larger compressor trim (52), plus larger GT40 turbine wheel and vanes. Outline interchangeable with the OE turbo for a perfect fit each and every time.

**Please refer to the legal notice on page 82 before purchasing this product.*

Chevy GMC Duramax Upgrade	Turbo PN	HP*	Compressor				Turbine			
			Inducer	Exducer	Trim	A/R	Inducer	Exducer	Trim	A/R
Duramax 6.6L 2004.5-2009 Stage 1	773540-5001S	590	65mm	94mm	48	0.58	73mm	67mm	78	0.90
Duramax 6.6L 2004.5-2009 Stage 2	773542-5001S	630	68mm	94mm	52	0.58	77mm	68mm	79	0.90



WARNING: Maximum allowable turbocharger speed is 119krpm. The use of this product above max turbocharger speed is at the owner's risk, and can result in damage and premature failure. To protect the turbocharger from overspeed when operating, a speed sensor port can be machined into the compressor housing for the fitment of speed sensor part numbers 781328-0001 (includes sensor and gauge), and 781328-0002 (includes speed sensor). Speed sensors sold separately.

* Estimated. Performance results of this product are highly dependent upon your vehicle's modifications and tuning/calibration. The horsepower numbers represented above are calculated based strictly on choke flow of the compressor map (total turbo capability), which represents the potential flywheel horsepower.



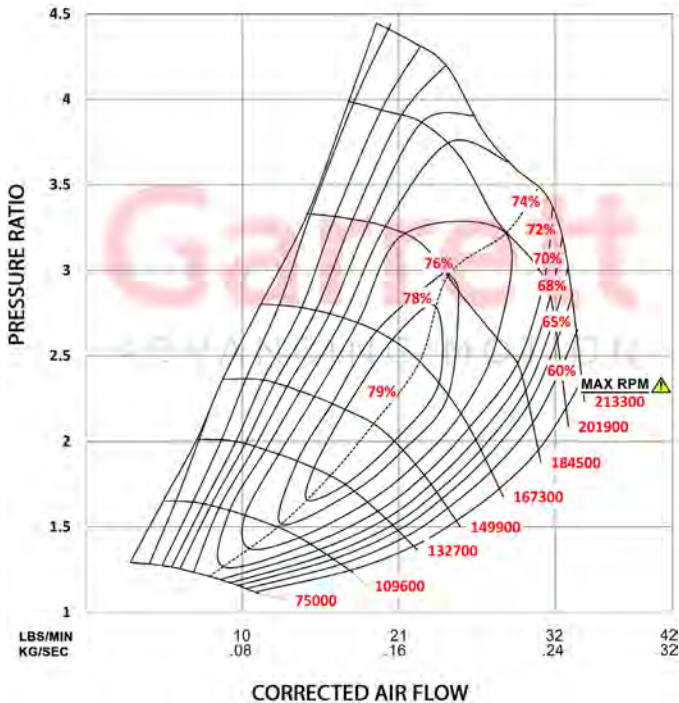
POWERMAX™ DIRECT FIT PERFORMANCE TURBOCHARGER

Application: Stage 1 Turbo Upgrade For (2014 - 2019) General Motors (Holden, Chevrolet) Colorado 2.8L XLDE
Part Number: 892179-5001S

Garrett PowerMax™ turbocharger upgrade for the Chevrolet Duramax 2.8L engine platform is engineered to increase engine performance while maintaining OEM installation specifications. This direct drop-in stage 1 upgrade provides up to 20% more flow than OEM and will support up to 160kW/ 215 BHP*. Variable turbine geometry is engineered to factory OEM specs and is controlled by the included module. Improvements in efficiency and flow can be attributed to the lightweight forged fully-machined compressor wheel with advanced aero design. This turbocharger is outline interchangeable with the OE hardware to ensure a perfect fit every time.

Contact your local authorized Garrett distributor for additional information and pricing.

**Please refer to the legal notice on page 82 before purchasing this product.*



Part Number		892179-5001S
Turbo	Model	GTB1752V
	Comp Inducer	42mm
	Replaces OEM part numbers	814067-0005 814067-0004 814067-0003 814067-0002 814067-0001
Vehicle	Model	Colorado Colorado 7
	Year	2014 - 2019
Engine	Type	2.8L XLDE
	Fuel	Diesel
	Emission Regulation	Euro 3,4,5
	Cylinders	I4
	Horsepower	160kW / 215BHP*



WARNING: Maximum allowable turbocharger speed is 213.3krpm. The use of this product above max turbocharger speed is at the owner's risk, and can result in damage and premature failure. To protect the turbocharger from overspeed when operating, a speed sensor port is machined into the compressor housing for the fitment of speed sensor part numbers 781328-0001 (includes sensor and gauge), and 781328-0002 (includes speed sensor). Speed sensors sold separately.

* Estimated Horsepower. Performance results of this product are highly dependent upon your vehicle's modifications and tuning/calibration. The horsepower numbers represented above are calculated based strictly on choke flow of the compressor map (total turbo capability), which represents the potential flywheel horsepower.



POWERMAX™ DIRECT FIT PERFORMANCE TURBOCHARGER

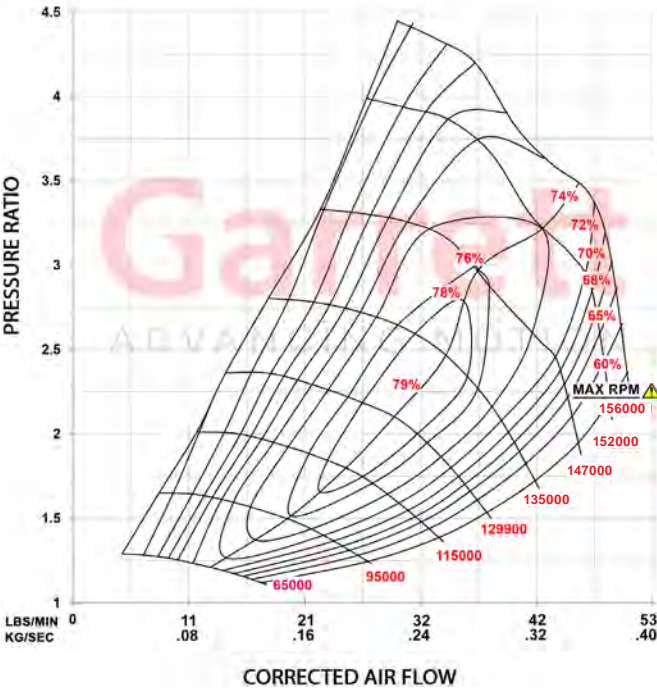
Application: Stage 1 Turbo Upgrade For 2007 - 2018 Toyota Land Cruiser 4.5L 1VD-FTV

Part Number 881604-5001S

Supports up to 164kW*

This Garrett PowerMax™ direct fit turbocharger is designed for the 4.5L 1VD-FTV VS diesel engine platform found in the 2007-2018 Toyota Land Cruiser. The forged, fully machined compressor wheel designed for the G Series product line increases flow by 20% over the OE wheel. Performance results of this product are highly dependent upon your vehicle's modifications and tuning. The power represented above was recorded on a chassis dyno with a modified ECU and OEM fuel delivery system enabling the engine to produce 164kW from the OE standard 151kW. All Garrett PowerMax™ direct fit turbochargers are outline interchangeable with the OE turbocharger ensuring a perfect fit every time.

**Please refer to the legal notice on page 82 before purchasing this product.*



Part Number		881604-5001S
Turbo	Model	GTA2359V
	Interchangeable with OE PN	775095-0001 (5001S) 842127-0001 (5001S)
Vehicle	Make	Toyota
	Model	Land Cruiser
	Year	2007-2018
Engine	Type	4.5 L 1VD-FTV V8
	Fuel	Diesel
	Emissions	Euro IV
	Cylinders	8

Features:

- G Series compressor wheel aerodynamics
- Wider compressor map for improved performance
- 20% more flow than the OE turbocharger
- VNT variable geometry technology



WARNING: Maximum allowable turbocharger speed is 156krpm. The use of this product above max turbocharger speed is at the owner's risk, and can result in damage and premature failure. To protect the turbocharger from overspeed when operating, a speed sensor port is machined into the compressor housing for the fitment of speed sensor part numbers 781328-0001 (includes sensor and gauge), and 781328-0002 (includes speed sensor). Speed sensors sold separately.

* Estimated Horsepower. Performance results of this product are highly dependent upon your vehicle's modifications and tuning/calibration. The horsepower numbers represented above are calculated based strictly on choke flow of the compressor map (total turbo capability), which represents the potential flywheel horsepower.



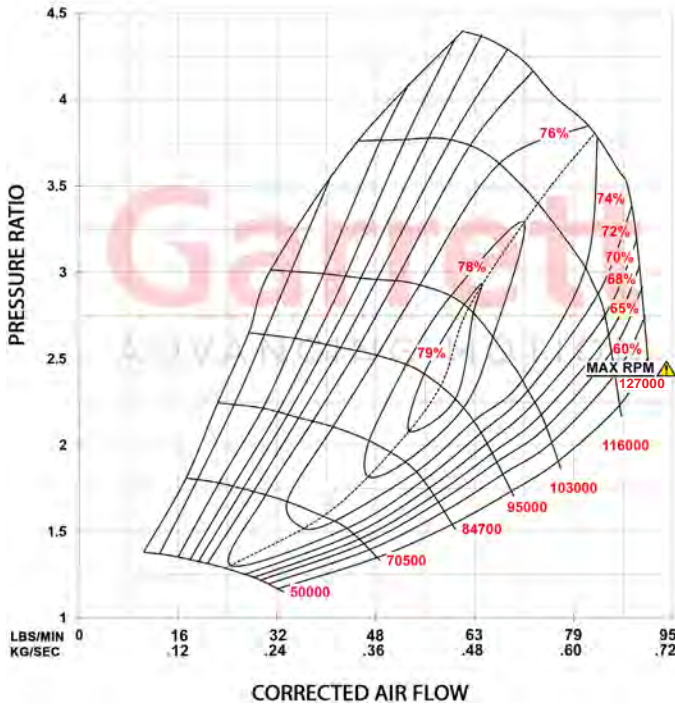
POWERMAX™ DIRECT FIT PERFORMANCE TURBOCHARGER

Application: Stage 1 Turbo Upgrade For 2011 - 2016 6.6L Chevrolet / GMC 2500HD, 3500HD
Part Number 886976-5004S

Supports up to 600WHP*

This Garrett PowerMax™ turbocharger upgrade for the Chevrolet and GMC 6.6L LML engine platform is engineered to increase engine performance while maintaining OEM installation specifications. This direct drop-in stage 1 upgrade provides 19% more flow than OEM and will support up to 600WHP*. Improvements in efficiency and flow can be attributed to the lightweight forged fully-machined compressor wheel. Boost response of this PowerMax turbocharger compared to OEM has not been tested. This turbocharger is outline interchangeable with the OE hardware to ensure a perfect fit every time.

**Please refer to the legal notice on page 82 before purchasing this product.*



Part Number		886976-5004S
Turbo	Model	GT3788V
	Comp Ind	65mm
Vehicle	Make	Chevrolet GMC
	Model	2500HD 3500HD
	Year	2011 - 2016
Engine	Type	6.6L Duramax LML
	Fuel	Diesel
	Cylinders	8



WARNING: Maximum allowable turbocharger speed is 127krpm. The use of this product above max turbocharger speed is at the owner's risk, and can result in damage and premature failure. To protect the turbocharger from overspeed when operating, a speed sensor port can be machined into the compressor housing for the fitment of speed sensor part numbers 781328-0001 (includes sensor and gauge), and 781328-0002 (includes speed sensor). Speed sensors sold separately.

Available through the Master Distributors, Performance Distributors, and PowerMax™ Distributor networks.

* Estimated Horsepower. Performance results of this product are highly dependent upon your vehicle's modifications and tuning/calibration. The horsepower numbers represented above are calculated based strictly on choke flow of the compressor map (total turbo capability), which represents the potential flywheel horsepower.



7.3L Power Stroke



6.0L Power Stroke

POWERMAX™ DIRECT FIT PERFORMANCE TURBOCHARGER

Application: Stage 1 Turbo Upgrade For 7.3L | 6.0L Power Stroke Engines

*Please refer to the legal notice on page 82 before purchasing this product.

Ford Power Stroke Upgrade	Turbo PN	HP*	Compressor				Turbine			
			Inducer	Exducer	Trim	A/R	Inducer	Exducer	Trim	A/R
Power Stroke 7.3L 1999.5-2003	739619-5004S	590	66mm	88mm	56	1.00	76mm	68mm	79	1.00
Power Stroke 6.0L 2003 Stage 1	777469-5002S	560	64mm	88mm	52	0.58	73mm	66mm	84	0.90
Power Stroke 6.0L 2004-2007 Stage 1	772441-5002S	560	64mm	88mm	52	0.58	73mm	66mm	84	0.90

7.3L Power Stroke


Applications: 1999.5 - 2003 F250 | F350 | Excursion
Part Number 739619-5004s (590HP*)

The GTP38R turbocharger contains an exclusive ball bearing cartridge for unbeatable response, efficiency, and durability. Elimination of the thrust bearing eliminates failures at elevated boost levels. The 88mm GT compressor wheel provides 33% more flow than the stock 80mm wheel. A ported shroud housing improves compressor flow range for surge control. The kit includes a 1.00 A/R turbine housing for free flowing exhaust with reduced back pressure and up to 200° F reduction in exhaust gas temperature. Maximum recommended boost level is 40psi.

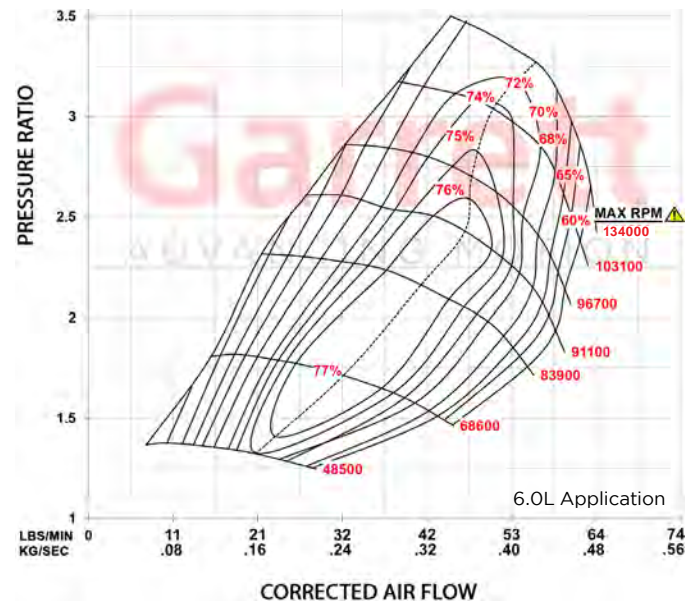
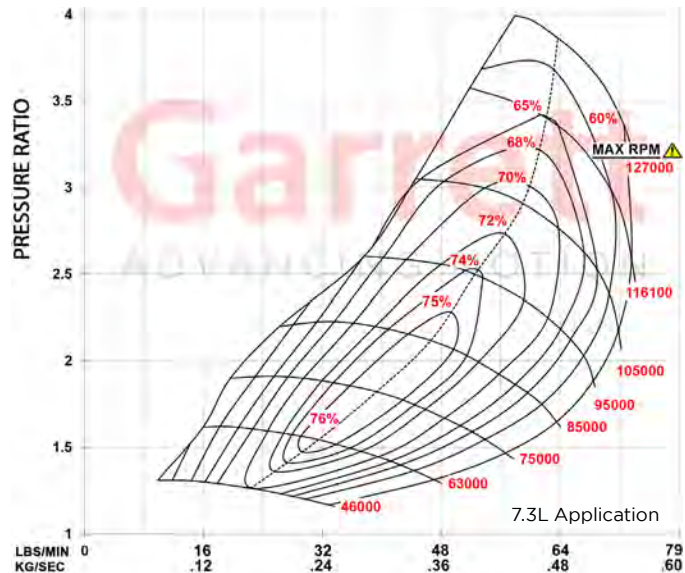
6.0L Power Stroke

Applications: 2003 Ford F-250 | F-350
Part Number 777469-5002S (560HP*)
Applications: 2004-2007 Ford F250 | F350 | Excursion
Part Number 772441-5002S (560HP*)

The GT3788VA Turbocharger features the Garrett patented Advanced Variable Nozzle. Turbine AVNT™ design for increased compressor flow and boost response. Utilizes nine movable vanes which significantly increase turbine efficiency and improve engine performance from idle launch through peak torque. Patented integral electro-hydraulic actuation and proportional solenoid for infinitely variable control. Larger compressor wheel over stock increases maximum power range while keeping turbo speeds down for the same power output.

 **WARNING:** Maximum allowable turbocharger speed is 127krpm (7.3L) and 134krpm (6.0L). The use of this product above max turbocharger speed is at the owner's risk, and can result in damage and premature failure. To protect the turbocharger from overspeed when operating, a speed sensor port can be machined into the compressor housing for the fitment of speed sensor part numbers 781328-0001 (includes sensor and gauge), and 781328-0002 (includes speed sensor). Speed sensors sold separately.

* Estimated Horsepower. Performance results of this product are highly dependent upon your vehicle's modifications and tuning/calibration. The horsepower numbers represented above are calculated based strictly on choke flow of the compressor map (total turbo capability), which represents the potential flywheel horsepower.





POWERMAX™ DIRECT FIT PERFORMANCE INTERCOOLER

Application: 2015+ Ford Mustang 2.3L EcoBoost
Supports Up To 600 Horsepower | C.A.R.B Certified ✓
Part Number: 857564-6001

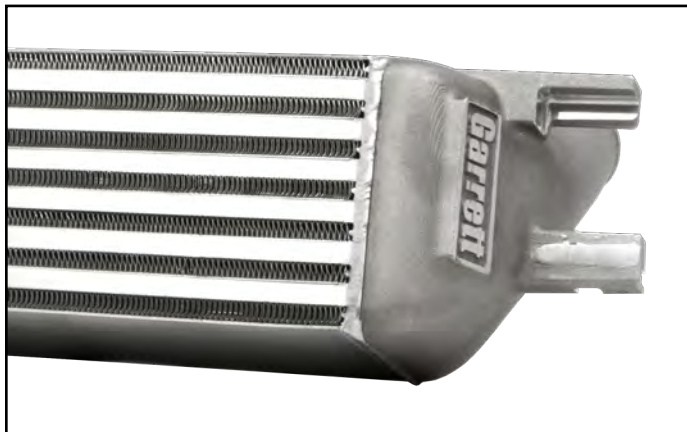
The Garrett Direct Fit Performance Intercooler is C.A.R.B. certified (EO# D-794) and fits the 2015+ 2.3L EcoBoost Mustang in the stock location and can support up to 600 horsepower. The aluminum core features advanced offset fin design and vacuum brazed bar-and-plate construction resulting in superior thermal and fatigue performance. CFD optimized cast aluminum end tanks reduces recirculation and maximizes flow. The complete assembly results in up to a 30% reduction in pressure drop and up to a 40 °F reduction in charge air temperature.

This direct fit performance intercooler installs in 2.5 hours and reuses the stock bolts, hoses, and clamps. Removal of the OE grill shutters required. For more information including Installation instructions please visit our website: www.garrettmotion.com/racing-and-performance/performance-catalog/intercoolers/

Features:

- Supports up to 600 horsepower
- C.A.R.B Certified (EO# D-794)
- 60% larger core than stock
- Installs in stock location
- Up to a 40 °F reduction in temperatures

Part Number		857564-6001
Vehicle	Make	Ford
	Model	Mustang
	Year	2015+
Engine	Type	2.3L
	Fuel	Gas
Weight	16.5 LBS	
Size Specs	21" x 5.32" x 5.4"	





POWERMAX™ DIRECT FIT PERFORMANCE INTERCOOLER

Application: 2015+ Subaru WRX 2.0L

Supports Up To 530 Horsepower

Part Number: 891185-6001

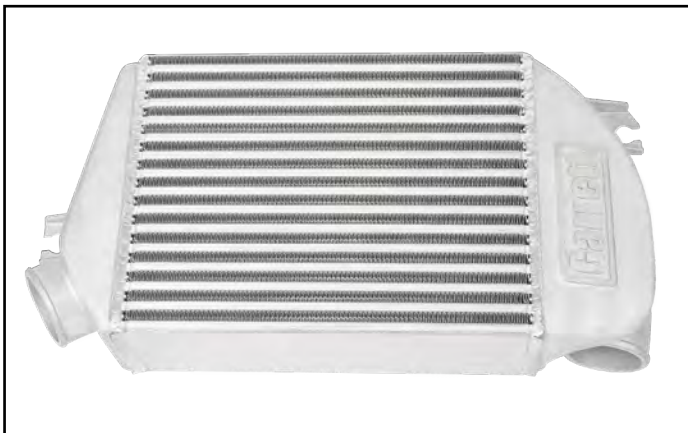
The direct fit Subaru WRX performance charge air cooler boasts a 70% larger core that helps reduce intake manifold temperatures up to 30 °F (16.7 °C). Optimized end tanks improve air flow through the core. This performance intercooler showed an increase of up to 16 HP (12 kW) and 15 lb-ft (20 N-m) of torque compared to OE during back to back dyno comparisons in a wind tunnel which generates air velocity that matches vehicle speed. During testing the heat saturation point increased from 4 dyno pulls to 6 dyno pulls.

This direct fit performance intercooler installs in 2.5 hours and reuses the stock bolts, hoses, and clamps. Removal of the OE grill shutters required. For more information including Installation instructions please visit our website: www.garrettmotion.com/racing-and-performance/performance-catalog/intercoolers/

Features:

- Supports up to 530 HP (395 kW)
- 70% larger core than stock
- Installs in stock location
- Up to 16 HP (12kW) and 15 lb-ft (20 Nm) of torque
- Average 30° F (16.7° C) reduction in intake temp
- Cast aluminum end tanks
- Advanced offset fin design
- Bar-and-plate construction

Part Number		891185-6001
Vehicle	Make	Subaru
	Model	WRX
	Year	2015 +
Engine	Type	2.0L FA20F
	Fuel	Gas
Size Specs	13" x 4" x 10.2"	
	330mm x 102mm x 259mm	





POWERMAX™ DIRECT FIT PERFORMANCE INTERCOOLER

Application: 2015+ BMW M3 | M4

Supports Up To 980 Horsepower

Part Number: 888883-6001 Raw Finish | 888883-6002 Black Finish

Garrett Powermax™ direct fit performance charge air cooler for the 2015+ BMW M3 and M4 boasts a 47% larger core with dual pass coolant flow to help reduce intake manifold temperatures by an average of 10 °F. CFD optimized end tanks improve airflow through the core. An average increase of 12.4 horsepower and 4.9 lb-ft of torque were measured during back to back dyno pulls. This direct-fit performance intercooler installs in 1.5 hours and reuses the stock bolts, hoses, and clamps.

Features:

- Supports up to 980 HP (730 kW)
- 47% larger core than stock
- Installs in stock location
- Up to 12.4 HP (9kW) and 4.9 lb-ft (6.7 Nm) of torque
- Cast aluminum end tanks
- Air-to-liquid design
- Bar-and-plate construction

Part Number	Raw Finish	888883-6001
	Black Finish	888883-6002
Vehicle	Make	BMW
	Model	M3 M4
	Year	2015+
Engine	Type	I6
	Fuel	Gas
Weight	14.1 lbs / 6.4 kg	
Size Specs	7.2" x 9.8" x 3.6"	
	183mm x 249mm x 92mm	





POWERMAX™ DIRECT FIT PERFORMANCE INTERCOOLER

Application: 2016+ Honda Civic 1.5T SI

Supports Up To 660 Horsepower

Part Number: 893516-6001

Garrett Powermax™ direct fit performance charge air cooler for the 2016+ Honda Civic 1.5T SI has a 90% larger core than stock and helps reduce intake manifold temperatures up to 60 °F (15.6 °C) at heat soak. CFD optimized end tanks improve air flow distribution through the core. This performance intercooler showed a max increase of up to 17 WHP (12.7 kW) and 14 lb-ft of torque (19 N-m) compared to OE during back to back dyno comparisons in a wind tunnel which generates air velocity that matches vehicle speed.

This direct fit performance intercooler installs in 3 hours and reuses the stock bolts, hoses, and clamps. Some modification to the shroud required. For more information including Installation instructions please visit www.garrettmotion.com/racing-and-performance/performance-catalog/intercoolers/

Features:

- Supports up to 660 HP (492 kW)
- 90% larger core than stock
- Installs in stock location
- Max increase of 17 HP (12.7 kW) and 14lb-ft (19 N-m)
- Up to 60 °F (15.6 °C) reduction in intake temp
- Cast aluminum end tanks
- Advanced offset fin design
- Bar-and-plate construction

Part Number		893516-6001
Vehicle	Make	Honda
	Model	Civic
	Year	2016+
Engine	Type	1.5L/SI
	Fuel	Gas
Weight	12.56 kg	
Size Specs	27.5" x 3.5" x 6.2"	
	698.5mm x 88.9mm x 157.5mm	





INTERCOOLER CORES

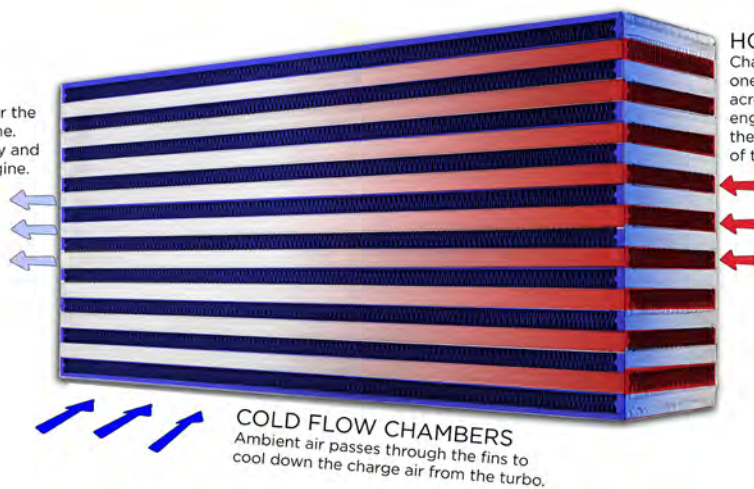
CHARGE AIR COOLERS

Utilizing advanced thermal technology, Garrett intercoolers offer superior fatigue protection for the high boost pressures and temperatures of today's extreme engines. With over 75 years of charge air cooler experience, Garrett remains ahead of the industry in intercooler design and function making it the number one choice for some of the premier names in the performance car industry - Roush, Saleen, Mercedes-Benz AMG, Ford SVT, GM, and McLaren have all turned to Garrett to cool their hottest models.

We now offer this expertise and quality to enthusiasts, in a full range of intercooler cores that are manufactured in-house by Garrett technicians. The bar and plate construction offers hi-performance, in a compact design using high strength vacuum brazed aluminum alloys with advanced fin designs to ensure greater heat transfer effectiveness and durability. From air-to-air cores sized for sport compact cars to air-to-liquid cores capable of supporting 1000+ hp, we can provide optimum performance for nearly any application.

CHARGE AIR DENSITY

Charge air coolers are used to lower the temp of the air going into the engine. Lower air temps increase air density and allow more oxygen to enter the engine.



HOT FLOW CHAMBERS

Charge air from the turbo enters through one side of the hot flow chambers and across the core to the other, then into the engine. As hot charge air flows through the core it is cooled by the ambient flow of the cold chambers.

COLD FLOW CHAMBERS

Ambient air passes through the fins to cool down the charge air from the turbo.





Part Number	Model	Supported Horsepower	Length Hot Flow		Height No Flow		Width Cold Flow	
			(in)	(mm)	(in)	(mm)	(in)	(mm)
* 848054-6012	Air / Air	300	10.2	260	8.1	205	4.7	120
703518-6015	Air / Air	310	18.0	457	6.4	163	3.0	76
703521-6003	Air / Air	375	10.0	254	12.3	312	4.5	114
703518-6016	Air / Air	410	18.0	457	8.0	203	3.0	76
703520-6025	Air / Air	425	18.0	457	8.0	203	3.5	89
* 848054-6013	Air / Air	450	13.5	343	8.6	219	5.5	140
703518-6018	Air / Air	475	24.0	610	6.4	163	3.0	76
703520-6009	Air / Air	500	24.0	610	6.4	163	3.5	89
703518-6017	Air / Air	510	18.0	457	10.5	267	3.0	76
703520-6002	Air / Air	550	14.0	356	12.1	307	3.5	89
848054-6004	Air / Air	600	21.0	533	5.4	137	5.3	135
848054-6024	Air / Air	600	13.0	330	10.2	259	4.0	102
487085-6002	Air / Air	600	20.1	511	11.2	284	3.0	76
703520-6010	Air / Air	600	24.0	610	8.0	203	3.5	89
893513-6001	Air / Air	660	27.5	699	6.2	157	3.5	89
* 848054-6037	Air / Air Vertical Flow	750	8.0	203	24.0	609	3.5	89
* 858893-6001	Air / Air	750	9.0	229	22.1	560	4.0	102
848054-6015	Air / Air	750	21.0	533	9.4	239	5.3	135
703518-6004	Air / Air	750	18.0	457	12.1	307	3.0	76
703522-6008	Air / Air	750	18.0	457	11.2	284	4.5	114
703522-6004	Air / Air	785	18.0	457	12.1	307	4.5	114
848054-6020	Air / Air	800	26.3	668	7.8	198	4.3	109
703520-6011	Air / Air	800	24.0	610	10.5	267	3.5	89
848054-6005	Air / Air	800	13.1	333	8.6	218	5.0	127
848054-6001	Air / Air	870	20.0	508	12.5	318	3.5	89
703518-6005	Air / Air	900	24.0	610	12.1	307	3.0	76
703520-6005	Air / Air	925	24.0	610	12.1	307	3.5	89
848054-6021	Air / Air	950	26.8	681	10.4	264	4.0	102
703522-6005	Air / Air	950	24.0	610	12.1	307	4.5	114
486827-6002	Air / Air	1000	23.7	602	12.0	305	3.8	97
* 848054-6039	Air / Air Vertical Flow	1100	12.0	305	22.4	568	4.5	114
848054-6003	Air / Air	1140	22.0	559	14.0	356	4.5	114
701596-6001	Air / Air	1260	27.8	706	12.7	323	5.1	130
* 858893-6003	Air / Air	1275	14.0	356	22.1	561	4.5	114

* New Cores

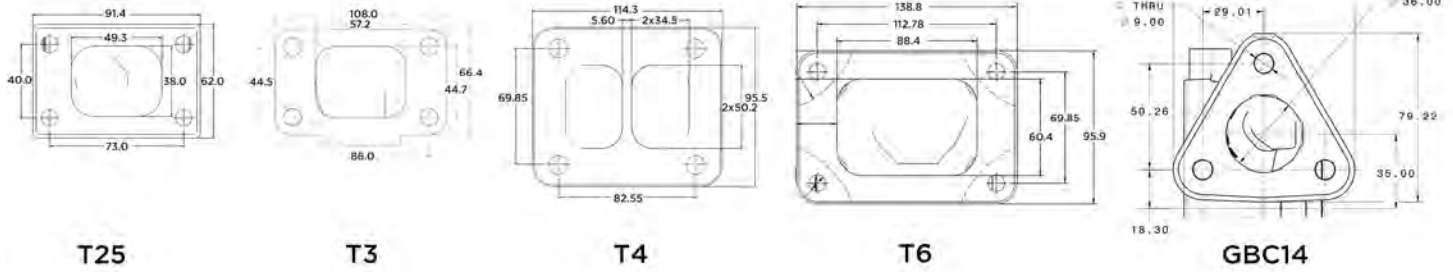
Part Number	Model	Supported Horsepower	Length Hot Flow		Height No Flow		Width Cold Flow	
			(in)	(mm)	(in)	(mm)	(in)	(mm)
717874-6009	Air / Liquid	500	3.8	97	3.8	97	9.8	249
717874-6008	Air / Liquid	750	3.8	97	3.8	97	11.7	297
873213-6002	Air / Liquid	980	7.2	183	3.6	91	9.8	249
734408-6005	Air / Liquid	1000	4.8	122	4.5	114	11.9	302

Garrett ancillary components are factory replacement parts for most G Series and GTX Gen II turbochargers. From bolts, to clamps, actuator brackets, rod ends, o-rings and more. G Series turbochargers have many new features on the compressor and CHRA sides of the turbo. The new speed sensor plug, bolt, and o-ring, pressure port plug, and oil and water fittings to name a few. These small ancillary components are now available for purchase.

Part Number	Description	Model
400809-0203	Pressure Plug Comp Hsg	G-Series GTX42 45 47 50 55 Gen II
403069-0242	O-Ring Speed Sensor	G-Series GTX47 50 55 Gen II
871104-0001	Plug Speed Sensor	
400674-0516	Bolt Speed Sensor	
400975-0203	Bolt Compressor Hsg	G25 G30 G35-900
400975-0303	Bolt Compressor Hsg	G35-1050 GTX28 Gen II
871795-0001	Clamp Compressor Hsg	G25 G30 G35-900
871795-0003	Clamp Compressor Hsg	G35-1050
403069-0077	O-Ring Compressor Hsg	GTX30 35 Gen II
403069-0157	O-Ring Compressor Hsg	G25 G30-660
403069-0162	O-Ring Compressor Hsg	G30-770 G30-900 G35
403069-0164	O-Ring Backplate	GTX28 30 35 Gen II
767567-0002	Fitting Oil Inlet	G25 30 35 GTX28 30 35 Gen II
434705-00041	Plug Water	
872902-0001	Fitting Water	
444657-0006	Washer Copper	
400702-1025	Circlip Rod End	
413885-0032	Rod End	
400146-0207	Nut Actuator Bracket / Rod End	
876079-0001	Bracket Actuator Standard Rotation	
876079-0002	Bracket Actuator Reverse Rotation	
876079-0003	Bracket Actuator Twin Scroll	
826466-0001	V-Band Turbine Inlet	G25 30 35 GTX30 35 Gen II GTX28 (Turbine Outlet)
446397-0364	V-Band Turbine Outlet	G25 30 35 GTX30 35 Gen II
446397-0382	V-Band Center Hsg - Turbine Hsg	G25 30 35
400515-0212	Locknut V-Band	G-Series GTX Gen II

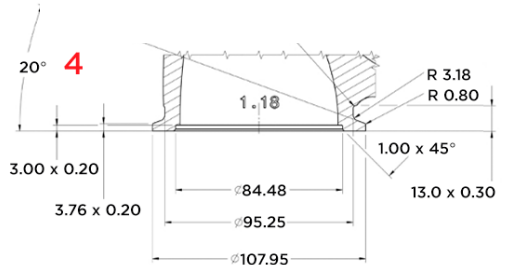
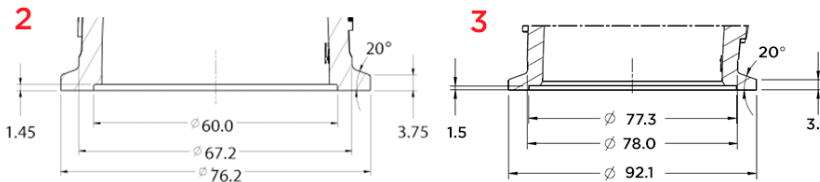
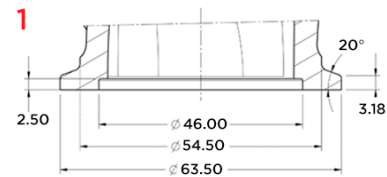


BOLTED INLET TURBINE HOUSINGS: T25 | T3 | T4 | T6 | GBC14



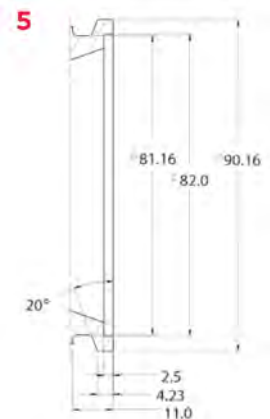
V-BAND INLET TURBINE HOUSINGS:

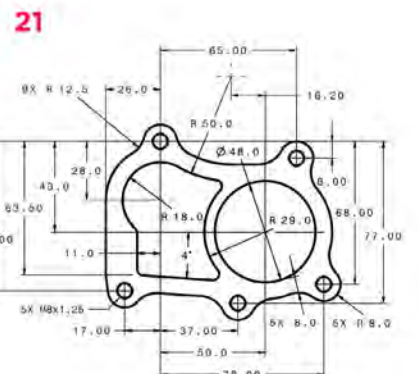
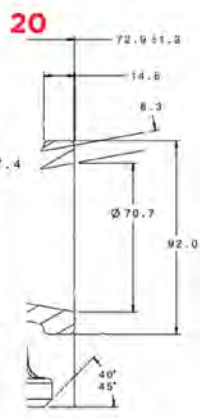
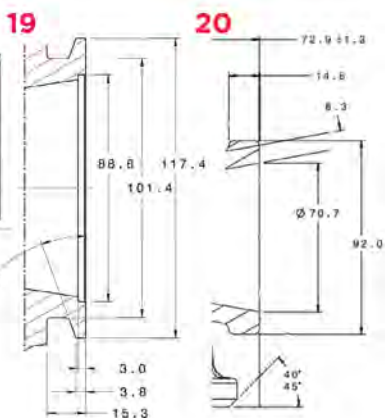
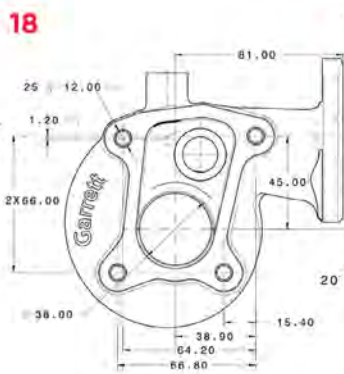
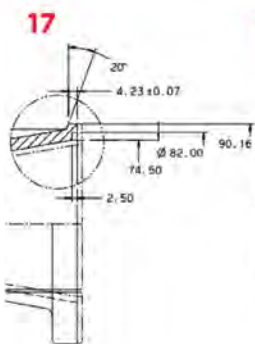
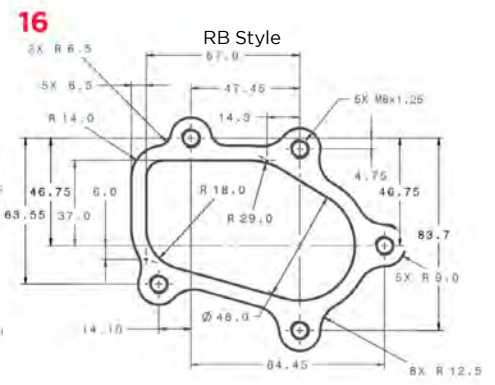
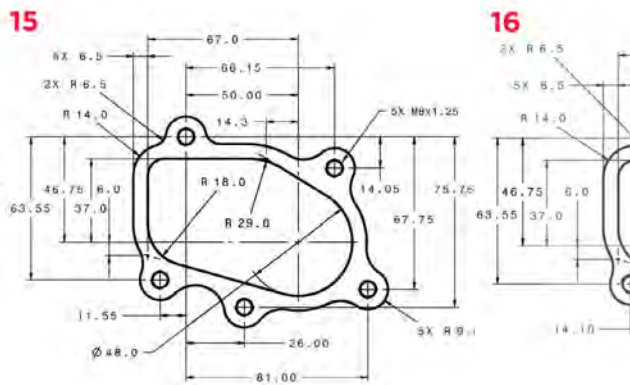
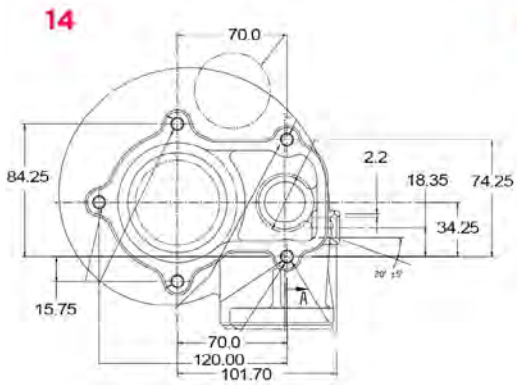
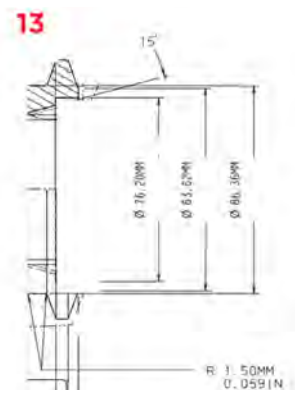
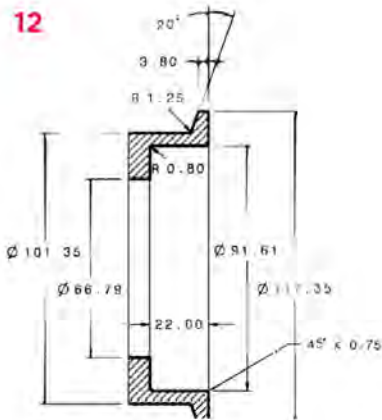
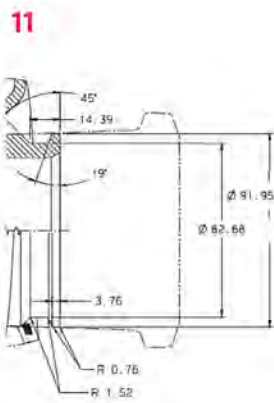
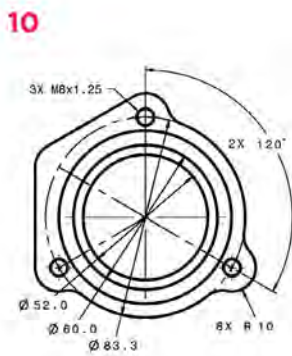
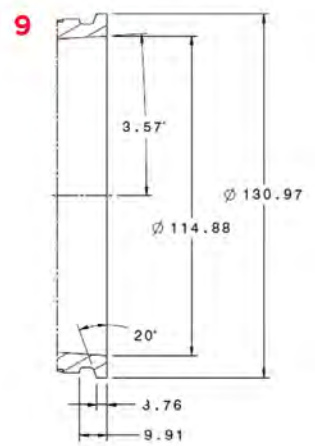
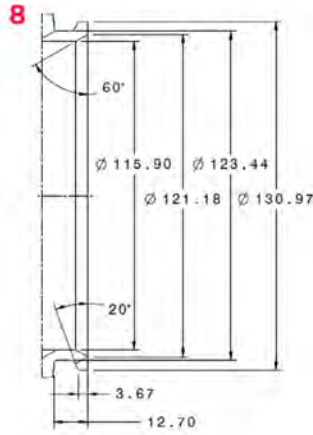
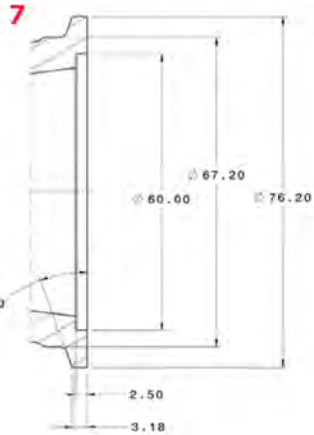
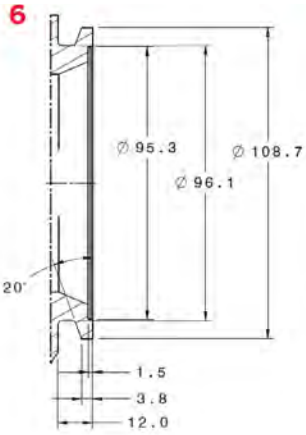
Diagram	V-Band Turbine Inlet Flange Reference		
1	GT28	GTX28	GTX28 Gen II
2	G25	G30	G35
2	GT30	GTX30	GTX30 Gen II
2	GT35	GTX35	GTX35 Gen II
3	G42	G45	G40
4	G57 G55	GTX55	GTX55 Gen II



TURBINE HOUSING OUTLET (DOWN PIPE) FLANGE

Garrett Series	Turbine Inlet Type						
	All	V-Band	T25	T3	T3 WG	T4	T6
G25 G30 G35	5						
G40 G42 G45		6				19	
G57	9						
GT28 GTX28 GT25		7	15				
GT28 RB Style			16				
GBC 17 20 22			15				
GBC14	18						
GT30 GTX30		5		17	14		
GT35 GTX35		5		17	14	20	
GTX40	11						
GTX42 GTX45	12						
GTX47 GTX50	8						8
GTX55		9					8
GTW 36 38	13						
GT2052	10						
GT2252	21						





G25-550		Compressor				Turbine		
HP: 300-550	Disp: 1.4L-3.0L	Inducer	Exducer	Trim	A/R	Inducer	Exducer	Trim
Supercore		48mm	60mm	65	0.70	54mm	49mm	84
Standard Rotation		PN						
Reverse Rotation		858161-5002S						
Turbo: Standard Rotation		PN						
Assembled and calibrated with 0.5 bar actuator		877895-5001S		0.49	A/R	Inlet	Outlet	Wastegate
		877895-5003S		0.72	T25	V-band	V-band	Internal
		877895-5004S		0.92	V-Band	V-band	V-band	Internal
Turbo: Reverse Rotation		PN						
See note above		877895-5007S		0.72	A/R	Inlet	Outlet	Wastegate
		877895-5008S		0.92	T25	V-band	V-band	Internal
					V-Band	V-band	V-band	Internal
G25-660		Compressor				Turbine		
HP: 350-660	Disp: 1.4L-3.0L	Inducer	Exducer	Trim	A/R	Inducer	Exducer	Trim
Supercore		54mm	67mm	65	0.70	54mm	49mm	84
Standard Rotation		PN						
Reverse Rotation		858161-5003S						
Turbo: Standard Rotation		PN						
Assembled and calibrated with 0.5 bar actuator		877895-5002S		0.49	A/R	Inlet	Outlet	Wastegate
		877895-5005S		0.72	T25	V-band	V-band	Internal
		877895-5006S		0.92	V-Band	V-band	V-band	Internal
Turbo: Reverse Rotation		PN						
See note above		877895-5009S		0.72	A/R	Inlet	Outlet	Wastegate
		877895-5010S		0.92	T25	V-band	V-band	Internal
					V-Band	V-band	V-band	Internal
Turbine Kits Standard Rotation		PN		A/R	Inlet	Outlet	Wastegate	Divided
Interchangeable with standard rotation G25-550 G25-660		740902-0069		0.72	V-Band	V-Band	Free Float	N
		740902-0068		0.92	V-Band	V-Band	Free Float	N
Turbine Kits Reverse Rotation		PN		A/R	Inlet	Outlet	Wastegate	Divided
Interchangeable with reverse rotation G25-550 G25-660		740902-0073		0.72	V-Band	V-Band	Free Float	N
		740902-0074		0.92	V-Band	V-Band	Free Float	N
G30-660		Compressor				Turbine		
HP: 350-660	Disp: 2.0L-3.5L	Inducer	Exducer	Trim	A/R	Inducer	Exducer	Trim
Supercore		54mm	67mm	65	0.70	60mm	55mm	84
Standard Rotation		PN						
Reverse Rotation		880693-5001S						
Turbo: Standard Rotation		PN						
Assembled and calibrated with 0.5 bar actuator		880704-5001S		1.01	A/R	Inlet	Outlet	Wastegate
		880704-5002S		0.83	T4	V-band	V-band	Internal
		880704-5003S		1.01	V-Band	V-band	V-band	Internal
G30-770		Compressor				Turbine		
HP: 475-770	Disp: 2.0L-3.5L	Inducer	Exducer	Trim	A/R	Inducer	Exducer	Trim
Supercore		58mm	71mm	65	0.72	60mm	55mm	84
Standard Rotation		PN						
Reverse Rotation		880693-5002S						
Turbo: Standard Rotation		PN						
Assembled and calibrated with 0.5 bar actuator		880704-5004S		1.01	A/R	Inlet	Outlet	Wastegate
		880704-5005S		0.83	T4	V-band	V-band	Internal
		880704-5006S		1.01	V-Band	V-band	V-band	Internal
G30-900		Compressor				Turbine		
HP: 550-900	Disp: 2.0L-3.5L	Inducer	Exducer	Trim	A/R	Inducer	Exducer	Trim
Supercore		62mm	76mm	65	0.72	60mm	55mm	84
Supercore: Standard Rotation		PN						
Supercore: Reverse Rotation		880693-5003S						
Turbo: Standard Rotation		PN						
Assembled and calibrated with 0.5 bar actuator		880704-5007S		1.01	A/R	Inlet	Outlet	Wastegate
		880704-5008S		0.83	T4	V-band	V-band	Internal
		880704-5009S		1.01	V-Band	V-band	V-band	Internal
Turbine Kits Standard Rotation		PN		A/R	Inlet	Outlet	Wastegate	Divided
Interchangeable with standard rotation G30-660 G30-770 G30-900 Supercores		740902-0093		1.01	T4	V-Band	Free Float	Y
		740902-0092		1.06	T4	V-Band	Free Float	Y
		740902-0090		0.83	T3	V-Band	Free Float	N
		740902-0091		1.01	T3	V-Band	Free Float	N
		740902-0086		0.61	V-Band	V-Band	Free Float	N
		740902-0087		0.83	V-Band	V-band	Free Float	N
		740902-0088		1.01	V-Band	V-band	Free Float	N
		740902-0089		1.21	V-Band	V-band	Free Float	N
Turbine Kits Reverse Rotation		PN		A/R	Inlet	Outlet	Wastegate	Divided
Interchangeable with reverse rotation G30-660 G30-770 G30-900 Supercores		740902-0100		0.83	T3	V-Band	Free Float	N
		740902-0101		1.01	T3	V-Band	Free Float	N
		740902-0096		0.61	V-Band	V-Band	Free Float	N
		740902-0097		0.83	V-Band	V-band	Free Float	N
		740902-0098		1.01	V-Band	V-band	Free Float	N
		740902-0099		1.21	V-Band	V-band	Free Float	N
G35-900		Compressor				Turbine		
HP: 550-900	Disp: 2.0L-5.5L	Inducer	Exducer	Trim	A/R	Inducer	Exducer	Trim
Supercore		62mm	76mm	65	0.72	68mm	62mm	84
Standard Rotation		PN						
Reverse Rotation		880695-5001S						

Turbo: Standard Rotation	PN	A/R	Inlet	Outlet	Wastegate	Divided	
Assembled and calibrated with 0.5 bar actuator	880707-5001S	1.01	T4	V-band	Internal	Y	
	880707-5002S	0.83	V-Band	V-band	Internal	N	
	880707-5003S	1.01	V-Band	V-band	Internal	N	
G35-1050	Compressor			Turbine			
HP: 700-1050 Disp: 2.0L-5.5L	Inducer	Exducer	Trim	A/R	Inducer	Exducer	Trim
Supercore	68mm	84mm	65	0.75	68mm	62mm	84
Standard Rotation	PN						
Supercore: Standard Rotation	880695-5002S						
Supercore: Reverse Rotation	880696-5002S						
Standard Turbo: G35-1050	PN	A/R	Inlet	Outlet	Wastegate	Divided	
Assembled and calibrated with 0.5 bar actuator	880707-5004S	1.01	T4	V-band	Internal	Y	
	880707-5005S	0.83	V-Band	V-band	Internal	N	
	880707-5006S	1.01	V-Band	V-band	Internal	N	
Turbine Kits Standard Rotation	PN	A/R	Inlet	Outlet	Wastegate	Divided	
Interchangeable with standard rotation G35-900 G35-1050	740902-0109	1.01	T4	V-Band	Free Float	Y	
Supercores	740902-0108	1.06	T4	V-band	Free Float	Y	
	740902-0106	0.83	T3	V-Band	Free Float	N	
	740902-0107	1.01	T3	V-Band	Free Float	N	
	740902-0102	0.61	V-Band	V-Band	Free Float	N	
	740902-0103	0.83	V-Band	V-band	Free Float	N	
	740902-0104	1.01	V-Band	V-band	Free Float	N	
	740902-0105	1.21	V-Band	V-band	Free Float	N	
Turbine Kits Reverse Rotation	PN	A/R	Inlet	Outlet	Wastegate	Divided	
Interchangeable with reverse rotation G35-900 G35-1050	740902-0116	0.83	T3	V-Band	Free Float	N	
Supercores	740902-0117	1.01	T3	V-Band	Free Float	N	
	740902-0112	0.61	V-Band	V-Band	Free Float	N	
	740902-0113	0.83	V-Band	V-band	Free Float	N	
	740902-0114	1.01	V-Band	V-band	Free Float	N	
	740902-0115	1.21	V-Band	V-band	Free Float	N	
G40-900	Compressor			Turbine			
HP: 500-900 Disp: 2.0L-6.0L	Inducer	Exducer	Trim	A/R	Inducer	Exducer	Trim
Supercore	62mm	88mm	51	0.80	77mm	70mm	84
Standard Rotation	PN						
	860777-5003S						
G40-1150	Compressor			Turbine			
HP: 500-1150 Disp: 2.0L-6.0L	Inducer	Exducer	Trim	A/R	Inducer	Exducer	Trim
Supercore	71mm	88mm	65	0.80	77mm	70mm	84
Standard Rotation	PN						
	860777-5002S						
Turbine Kits: G40	PN	A/R	Inlet	Outlet	Wastegate	Divided	
Interchangeable with G40-900	757707-0027	0.85	V-Band	V-Band	Free Float	N	
G40-1150 Supercores	757707-0028	0.95	V-Band	V-Band	Free Float	N	
	757707-0029	1.06	V-Band	V-Band	Free Float	N	
	757707-0030	1.19	V-Band	V-Band	Free Float	N	
	757707-0032	0.85	T4	V-Band	Free Float	Y	
	757707-0033	0.95	T4	V-Band	Free Float	Y	
	757707-0034	1.06	T4	V-Band	Free Float	Y	
	757707-0035	1.19	T4	V-Band	Free Float	Y	
G42-1200	Compressor			Turbine			
HP: 475-1200 Disp: 2.0L-7.0L	Inducer	Exducer	Trim	A/R	Inducer	Exducer	Trim
Supercore	73mm	91mm	65	0.85	82mm	75mm	84
Full-Size Comp Housing	PN						
Compact Comp Housing	860778-5004S						
	860778-5002S						
	0.90						
G42-1450	Compressor			Turbine			
HP: 525-1450 Disp: 2.0L-8.0L	Inducer	Exducer	Trim	A/R	Inducer	Exducer	Trim
Supercore	79mm	98mm	65	0.85	82mm	75mm	84
Standard Rotation	PN						
	860778-5006S						
Turbine Kits: G42	PN	A/R	Inlet	Outlet	Wastegate	Divided	
Interchangeable with G42-1200 1200 G42-1200 Compact G42-1450 Supercores	757707-0011	1.01	V-Band	V-Band	Free Float	N	
	757707-0012	1.15	V-Band	V-Band	Free Float	N	
	757707-0013	1.28	V-Band	V-Band	Free Float	N	
	757707-0014	1.01	T4	V-band	Free Float	Y	
	757707-0015	1.15	T4	V-band	Free Float	Y	
	757707-0016	1.28	T4	V-band	Free Float	Y	
G45-1125	Compressor			Turbine			
HP: 600-1125 Disp: 2.0L-8.0L	Inducer	Exducer	Trim	A/R	Inducer	Exducer	Trim
Supercore	67mm	102mm	44	0.85	89mm	82mm	84
Standard Rotation	PN						
	888169-5003S						
G45-1350	Compressor			Turbine			
HP: 650-1350 Disp: 2.0L-8.0L	Inducer	Exducer	Trim	A/R	Inducer	Exducer	Trim
Supercore	72mm	102mm	51	0.85	89mm	82mm	84
Standard Rotation	PN						
	888169-5004S						
G45-1500	Compressor			Turbine			
HP: 750-1500 Disp: 2.0L-8.0L	Inducer	Exducer	Trim	A/R	Inducer	Exducer	Trim
Supercore	76mm	109mm	49	0.85	89mm	82mm	84
Standard Rotation	PN						
	888169-5005S						

Turbine Kits: G45		PN	A/R	Inlet	Outlet	Wastegate	Divided	
Interchangeable with G45-1125 G45-1350 G45-1500		757707-0019	1.01	V-Band	V-Band	Free Float	N	
Supercores		757707-0021	1.28	V-Band	V-Band	Free Float	N	
		757707-0022	1.44	V-Band	V-Band	Free Float	N	
		757707-0023	1.01	T4	V-Band	Free Float	Y	
		757707-0024	1.15	T4	V-Band	Free Float	Y	
		757707-0025	1.28	T4	V-Band	Free Float	Y	
		757707-0026	1.44	T4	V-Band	Free Float	Y	
G Series G55		Compressor			Turbine			
HP: 1000-2900	Disp: 3.0L-12.0L	Inducer	Exducer	A/R	Inducer	Exducer	Trim	
Supercore PN								
G55-1850	880547-5001S	85mm	133mm	0.88	112mm	106mm	90	
G55-1950	880547-5002S	88mm	133mm	0.88	112mm	106mm	90	
G55-2100	880547-5003S	91mm	133mm	0.96	112mm	106mm	90	
G55-2250	880547-5004S	94mm	133mm	0.96	112mm	106mm	90	
G55-2450	880547-5005S	98mm	133mm	0.96	112mm	106mm	90	
G55-2650	880547-5021S	102mm	144mm	0.96	112mm	106mm	90	
G55-2900	880547-5022S	106mm	144mm	0.96	112mm	106mm	90	
Turbine Kits: G55		Turbine Kit PN	A/R	Inlet	Outlet	Wastegate	Divided	
Interchangeable with G55		761208-0069	1.24	V-Band	V-Band	Free Float	N	
Supercores		761208-0070	1.40	V-Band	V-Band	Free Float	N	
		761208-0071	1.00	T6	V-Band	Free Float	N	
		761208-0072	1.12	T6	V-Band	Free Float	N	
		761208-0073	1.24	T6	V-Band	Free Float	N	
		761208-0074	1.40	T6	V-Band	Free Float	N	
G Series G57		Compressor			Turbine			
HP: 1400-3000	Disp: 3.0L-12.0L	Inducer	Exducer	A/R	Inducer	Exducer	Trim	
Supercore PN								
G57-2000	880547-5031S	88mm	133mm	0.88	118mm	112mm	90	
G57-2350	880547-5032S	94mm	133mm	0.96	118mm	112mm	90	
G57-2550	880547-5033S	98mm	133mm	0.96	118mm	112mm	90	
G57-2750	880547-5029S	102mm	144mm	0.96	118mm	112mm	90	
G57-3000	880547-5030S	106mm	144mm	0.96	118mm	112mm	90	
Turbine Kits: G57		Turbine Kit PN	A/R	Inlet	Outlet	Wastegate	Divided	
Interchangeable with G57		761208-0083	1.09	V-Band	V-Band	Free Float	N	
Supercores		761208-0084	1.25	V-Band	V-Band	Free Float	N	
		761208-0085	1.41	V-Band	V-Band	Free Float	N	
GTX2860R Gen II		Compressor			Turbine			
HP: 200-475	Disp: 1.4L-2.5L	Inducer	Exducer	Trim	A/R	Inducer	Exducer	Trim
Supercore		46mm	60mm	58	0.60	54mm	47mm	76
Assembly Kit								
849894-5001S	856800-5003S	Turbine Kit	A/R	Inlet	Outlet	Wastegate	Divided	
	856800-5004S	827690-0001	0.57	V-Band	V-Band	Free Float	N	
	856800-5004S	827690-0002	0.72	V-Band	V-Band	Free Float	N	
Assembly Kit PN Includes	856800-5001S	827690-0003	0.64	T25	5 bolt	Wastegated	N	
Supercore and Turbine Kit	856800-5002S	827690-0004	0.86	T25	5 bolt	Wastegated	N	
GTX2867R Gen II		Compressor			Turbine			
HP: 275-550	Disp: 1.4L-2.5L	Inducer	Exducer	Trim	A/R	Inducer	Exducer	Trim
Supercore		50mm	67mm	55	0.60	54mm	47mm	76
Assembly Kit								
849894-5002S	856800-5007S	Turbine Kit	A/R	Inlet	Outlet	Wastegate	Divided	
	856800-5008S	827690-0001	0.57	V-Band	V-Band	Free Float	N	
	856800-5008S	827690-0002	0.72	V-Band	V-Band	Free Float	N	
Assembly Kit PN Includes	856800-5005S	827690-0003	0.64	T25	5 bolt	Wastegated	N	
Supercore and Turbine Kit	856800-5006S	827690-0004	0.86	T25	5 bolt	Wastegated	N	
GTX3071R Gen II		Compressor			Turbine			
HP: 340-675	Disp: 1.8L-3.0L	Inducer	Exducer	Trim	A/R	Inducer	Exducer	Trim
Supercore		54mm	71mm	58	0.60	60mm	55mm	84
Assembly Kit								
851154-5002S	856801-5006S	Turbine Kit	A/R	Inlet	Outlet	Wastegate	Divided	
	856801-5005S	740902-0009	0.63	T3	V-Band	Free Float	N	
	856801-5005S	740902-0008	0.82	T3	V-Band	Free Float	N	
Assembly Kit PN Includes		740902-0007	1.06	T3	V-Band	Free Float	N	
Supercore and Turbine Kit	856801-5018S	740902-0036	0.61	V-Band	V-Band	Free Float	N	
	856801-5017S	740902-0035	0.83	V-Band	V-Band	Free Float	N	
		740902-0034	1.01	V-Band	V-Band	Free Float	N	
Wastegated turbine kit does not include bolts, clamps, gasket or actuator		771300-0006	0.63	T3	5 bolt	Wastegated	N	
		771300-0005	0.82	T3	5 bolt	Wastegated	N	
		771300-0004	1.06	T3	5 bolt	Wastegated	N	
Reverse Rotation Supercore	Assembly Kit	Turbine Kit	A/R	Inlet	Outlet	Wastegate	Divided	
844621-5003S		740902-0053	0.61	V-Band	V-Band	Free Float	N	
		740902-0054	0.83	V-Band	V-Band	Free Float	N	
		740902-0055	1.01	V-Band	V-Band	Free Float	N	
GTX3076R Gen II		Compressor			Turbine			
HP: 400-750	Disp: 1.8L-3.0L	Inducer	Exducer	Trim	A/R	Inducer	Exducer	Trim
Supercore		58mm	76mm	58	0.60	60mm	55mm	84
Assembly Kit								
851154-5001S	856801-5027S	Turbine Kit	A/R	Inlet	Outlet	Wastegate	Divided	
	856801-5026S	740902-0009	0.63	T3	V-Band	Free Float	N	
		740902-0008	0.82	T3	V-Band	Free Float	N	
Assembly Kit PN Includes		740902-0007	1.06	T3	V-Band	Free Float	N	
Supercore and Turbine Kit	856801-5039S	740902-0036	0.61	V-Band	V-Band	Free Float	N	
	856801-5038S	740902-0035	0.83	V-Band	V-Band	Free Float	N	
	856801-5037S	740902-0034	1.01	V-Band	V-Band	Free Float	N	
Wastegated turbine kit does not include bolts, clamps, gasket or actuator		771300-0006	0.63	T3	5 bolt	Wastegated	N	
		771300-0005	0.82	T3	5 bolt	Wastegated	N	
		771300-0004	1.06	T3	5 bolt	Wastegated	N	

Reverse Rotation Supercore 844621-5004S	Assembly Kit	Turbine Kit	A/R	Inlet	Outlet	Wastegate	Divided
		740902-0053	0.61	V-Band	V-Band	Free Float	N
		740902-0054	0.83	V-Band	V-Band	Free Float	N
		740902-0055	1.01	V-Band	V-Band	Free Float	N
GTX3576R Gen II		Compressor				Turbine	
HP: 400-750 Disp: 2.0L-4.5L	Inducer 58mm	Exducer 76mm	Trim 58	A/R 0.60	Inducer 68mm	Exducer 62mm	Trim 84
Supercore	Assembly Kit	Turbine Kit	A/R	Inlet	Outlet	Wastegate	Divided
851154-5003S		740902-0012	0.63	T3	V-Band	Free Float	N
	856801-5047S	740902-0011	0.82	T3	V-Band	Free Float	N
Assembly Kit PN Includes Supercore and Turbine Kit		740902-0010	1.06	T3	V-Band	Free Float	N
		740902-0018	0.63	T4	V-Band	Free Float	N
	856801-5050S	740902-0017	0.82	T4	V-Band	Free Float	N
		740902-0016	1.06	T4	V-Band	Free Float	N
Wastegated turbine kit does not include bolts, clamps, gasket or actuator		740902-0033	0.61	V-Band	V-Band	Free Float	N
	856801-5059S	740902-0032	0.83	V-Band	V-Band	Free Float	N
	856801-5058S	740902-0031	1.01	V-Band	V-Band	Free Float	N
Reverse Rotation Supercore 844626-5003S	Assembly Kit	Turbine Kit	A/R	Inlet	Outlet	Wastegate	Divided
		740902-0056	0.61	V-Band	V-Band	Free Float	N
		740902-0057	0.83	V-Band	V-Band	Free Float	N
		740902-0058	1.01	V-Band	V-Band	Free Float	N
GTX3582R Gen II		Compressor				Turbine	
HP: 450-900 Disp: 2.0L-4.5L	Inducer 66mm	Exducer 82mm	Trim 64	A/R 0.70	Inducer 68mm	Exducer 62mm	Trim 84
Supercore	Assembly Kit	Turbine Kit	A/R	Inlet	Outlet	Wastegate	Divided
851154-5004S	856801-5069S	740902-0012	0.63	T3	V-Band	Free Float	N
	856801-5068S	740902-0011	0.82	T3	V-Band	Free Float	N
Assembly Kit PN Includes Supercore and Turbine Kit	856801-5067S	740902-0010	1.06	T3	V-Band	Free Float	N
		740902-0018	0.63	T4	V-Band	Free Float	N
	856801-5071S	740902-0017	0.82	T4	V-Band	Free Float	N
	856801-5070S	740902-0016	1.06	T4	V-Band	Free Float	N
Wastegated turbine kit does not include bolts, clamps, gasket or actuator	856801-5081S	740902-0033	0.61	V-Band	V-Band	Free Float	N
	856801-5080S	740902-0032	0.83	V-Band	V-Band	Free Float	N
	856801-5079S	740902-0031	1.01	V-Band	V-Band	Free Float	N
Reverse Rotation Supercore 844626-5004S	Assembly Kit	Turbine Kit	A/R	Inlet	Outlet	Wastegate	Divided
		740902-0056	0.61	V-Band	V-Band	Free Float	N
		740902-0057	0.83	V-Band	V-Band	Free Float	N
		740902-0058	1.01	V-Band	V-Band	Free Float	N
GTX3584RS		Compressor				Turbine	
HP: 550-1000 Disp: 2.0L-5.5L	Inducer 67mm	Exducer 84mm	Trim 64	A/R 0.72	Inducer 68mm	Exducer 62mm	Trim 84
Supercore	Assembly Kit	Turbine Kit	A/R	Inlet	Outlet	Wastegate	Divided
Hose Bead	856804-5001S	740902-0067	0.83	V-Band	V-Band	Free Float	N
Compressor	846098-5001S	856804-5002S	740902-0066	1.01	V-Band	Free Float	N
Outlet		856804-5003S	740902-0052	1.21	V-Band	Free Float	N
V-Band		856804-5004S	740902-0067	0.83	V-Band	Free Float	N
Compressor	846098-5002S	856804-5005S	740902-0066	1.01	V-Band	Free Float	N
Outlet		856804-5006S	740902-0052	1.21	V-Band	Free Float	N
GTX4088R		Compressor				Turbine	
HP: 460-850 Disp: 2.0L-6.0L Supercore: 825614-5005S	Inducer 65mm	Exducer 88mm	Trim 54	A/R 0.72	Inducer 77mm	Exducer 68mm	Trim 78
Turbine Kits: GTX40	PN	A/R	Inlet	Outlet	Wastegate	Divided	
Interchangeable with GT GTX	773628-0011	0.95	T4	V-Band	Free Float	Y	
4088 Supercores	773628-0013	1.19	T4	V-Band	Free Float	Y	
GTX4294R		Compressor				Turbine	
HP: 475-950 Disp: 2.0L-7.0L Supercore: 888169-5003S	Inducer 70mm	Exducer 94mm	Trim 56	A/R 0.60	Inducer 82mm	Exducer 75mm	Trim 84
GTX4202R		Compressor				Turbine	
HP: 525-1120 Disp: 2.0L-7.0L Supercore: 800269-5002S	Inducer 76mm	Exducer 102mm	Trim 55	A/R 0.60	Inducer 82mm	Exducer 75mm	Trim 84
Turbine Kits: GTX42	PN	A/R	Inlet	Outlet	Wastegate	Divided	
Interchangeable with GT GTX	757707-0001	1.01	T4	V-Band	Free Float	Y	
4294R 4202R Supercores	757707-0002	1.15	T4	V-Band	Free Float	Y	
	757707-0003	1.28	T4	V-Band	Free Float	Y	
	757707-0004	1.44	T4	V-Band	Free Float	Y	
GTX4508R		Compressor				Turbine	
HP: 700-1250 Disp: 2.0L-8.0L Supercore: 800270-5001S	Inducer 80mm	Exducer 108mm	Trim 55	A/R 0.69	Inducer 87mm	Exducer 80mm	Trim 85
Turbine Kits: GTX45	PN	A/R	Inlet	Outlet	Wastegate	Divided	
Interchangeable with GT GTX	757707-0005	1.01	T4	V-Band	Free Float	Y	
4508 Supercores	757707-0006	1.15	T4	V-Band	Free Float	Y	
	757707-0007	1.28	T4	V-Band	Free Float	Y	
	757707-0008	1.44	T4	V-Band	Free Float	Y	
GTX4709R Gen II		Compressor				Turbine	
HP: 825-1625 Disp: 2.0L-10.0L Supercore: 851285-50011S Supercore: 851285-50012S	Inducer 76mm 80mm	Exducer 109mm 109mm	Trim 49 54	A/R 0.88 0.88	Inducer 93mm 93mm	Exducer 84mm 84mm	Trim 82 82
GTX4720R Gen II		Compressor				Turbine	
HP: 1025-1950 Disp: 2.5L-10.0L Supercore: 851285-5013S Supercore: 851285-5014S Supercore: 851285-5015S	Inducer 76mm 80mm 88mm	Exducer 120mm 120mm 120mm	Trim 41 45 54	A/R 0.88 0.88 0.88	Inducer 93mm 93mm 93mm	Exducer 84mm 84mm 84mm	Trim 82 82 82

Turbine Kits: GTX47		PN	A/R	Inlet	Outlet	Wastegate	Divided	
Interchangeable with GT GTX		761208-0009	0.96	T6	V-Band	Free Float	N	
4708 4709 4718 4720		761208-0010	1.08	T6	V-Band	Free Float	N	
Supercores		761208-0011	1.23	T6	V-Band	Free Float	N	
		761208-0012	1.39	T6	V-Band	Free Float	N	
GTX5009R Gen II		Compressor			Turbine			
HP: 875-1700	Disp: 2.5L-10.0L	Inducer	Exducer	Trim	A/R	Inducer	Exducer	Trim
Supercore: 851285-5016S		76mm	109mm	49	0.88	99mm	91mm	84
Supercore: 851285-5017S		80mm	109mm	54	0.88	99mm	91mm	84
GTX5020R Gen II		Compressor			Turbine			
HP: 1075-2050	Disp: 2.8L-11.0L	Inducer	Exducer	Trim	A/R	Inducer	Exducer	Trim
Supercore: 851285-5018S		76mm	120mm	41	0.88	99mm	91mm	84
Supercore: 851285-5019S		80mm	120mm	45	0.88	99mm	91mm	84
Supercore: 851285-5020S		88mm	120mm	54	0.88	99mm	91mm	84
Turbine Kits: GTX50		PN	A/R	Inlet	Outlet	Wastegate	Divided	
Interchangeable with GT GTX		761208-0030	0.96	T6	V-Band	Free Float	N	
5008 5009 5018 5020		761208-0031	1.08	T6	V-Band	Free Float	N	
Supercores		761208-0032	1.23	T6	V-Band	Free Float	N	
		761208-0033	1.39	T6	V-Band	Free Float	N	
GTX5533R Gen II		Compressor			Turbine			
HP:1000-2500	Disp: 3.0L-12.0L	Inducer	Exducer	Trim	A/R	Inducer	Exducer	Trim
Supercore: 851285-5001S		85mm	133mm	41	0.88	112mm	102mm	84
Supercore: 851285-5002S		88mm	133mm	44	0.88	112mm	102mm	84
Supercore: 851285-5003S		91mm	133mm	47	0.96	112mm	102mm	84
Supercore: 851285-5004S		94mm	133mm	50	0.96	112mm	102mm	84
Supercore: 851285-5005S		98mm	133mm	54	0.96	112mm	102mm	84
GTX5544R Gen II		Compressor			Turbine			
HP:1400-2850	Disp: 3.0L-12.0L	Inducer	Exducer	Trim	A/R	Inducer	Exducer	Trim
Supercore: 851285-5021S		102mm	144mm	50	0.96	112mm	102mm	84
Supercore: 851285-5022S		106mm	144mm	54	0.96	112mm	102mm	84
Turbine Kits: GTX55		PN	A/R	Inlet	Outlet	Wastegate	Divided	
Interchangeable with GT GTX		761208-0062	1.24	V-Band	V-Band	Free Float	N	
5533 5544 Supercores		761208-0063	1.40	V-Band	V-Band	Free Float	N	
		761208-0015	1.12	T6	V-Band	Free Float	N	
		761208-0025	1.24	T6	V-Band	Free Float	N	
		761208-0017	1.40	T6	V-Band	Free Float	N	
GBC14-200		Compressor			Turbine			
HP: 140-200	Disp: 0.4L-1.0L	Inducer	Exducer	A/R	Inducer	Exducer	Trim	A/R
Turbo PN: 896051-5004S		34mm	46mm	0.52	39mm	36mm	84	0.45
GBC17-250		Compressor			Turbine			
HP: 150-250	Disp: 0.6L-1.5L	Inducer	Exducer	A/R	Inducer	Exducer	Trim	A/R
Turbo PN: 896052-5003S		36mm	49mm	0.52	44mm	40mm	80	0.5
GBC20-300		Compressor			Turbine			
HP: 170-300	Disp: 0.8L-2.0L	Inducer	Exducer	A/R	Inducer	Exducer	Trim	A/R
Turbo PN: 896053-5003S		39mm	52mm	0.59	47mm	42mm	84	0.55
GBC22-350		Compressor			Turbine			
HP: 200-350	Disp: 1.0L-2.5L	Inducer	Exducer	A/R	Inducer	Exducer	Trim	A/R
Turbo PN: 896055-5003S		44mm	56mm	0.59	50mm	46mm	84	0.64
GTW3476R		Compressor			Turbine			
HP: 450-700	Disp: 2.0L-4.5L	Inducer	Exducer	Trim	A/R	Inducer	Exducer	Trim
Supercore: 841691-5001S		58mm	76mm	58	0.70	65mm	57mm	76
Supercore: 841297-5001S		Ball Bearing Journal Bearing						
Turbine Kits: GTW34		PN	A/R	Inlet	Outlet	Wastegate	Divided	
Interchangeable with GTW		844669-0002	0.63	T3	4-Bolt	Free Float	N	
3476 Supercores		844669-0003	0.82	T3	4-Bolt	Free Float	N	
GTW3684R		Compressor			Turbine			
HP: 425-750	Disp: 2.0L-5.3L	Inducer	Exducer	Trim	A/R	Inducer	Exducer	Trim
Supercore: 841691-5002S		62mm	84mm	54	0.70	71mm	62mm	76
Supercore: 841297-5002S		Ball Bearing Journal Bearing						
Turbine Kits: GTW36		PN	A/R	Inlet	Outlet	Wastegate	Divided	
Interchangeable with GTW		844669-0005	0.70	T4	V-Band	Free Float	Y	
3684 Supercores		844669-0007	1.15	T4	V-Band	Free Float	Y	
GTW3884R		Compressor			Turbine			
HP: 450-950	Disp: 2.0L-6.0L	Inducer	Exducer	Trim	A/R	Inducer	Exducer	Trim
841691-5003S		62mm	84mm	54	0.70	74mm	65mm	76
841691-5004S		64mm	84mm	58	0.70	74mm	65mm	76
841691-5005S		67mm	84mm	64	0.70	74mm	65mm	76
841297-5003S		62mm	84mm	54	0.70	74mm	65mm	76
841297-5004S		64mm	84mm	58	0.70	74mm	65mm	76
841297-5005S		67mm	84mm	64	0.70	74mm	65mm	76
Journal Bearing								
Journal Bearing								
Journal Bearing								
Turbine Kits: GTW38		PN	A/R	Inlet	Outlet	Wastegate	Divided	
		844669-0009	0.96	T4	V-Band	Free Float	N	
GT2052		Compressor			Turbine			
HP: 140-230	Disp: 1.4L-2.0L	Inducer	Exducer	A/R	Inducer	Exducer	Trim	A/R
Turbo PN: 727264-5001S		38mm	52mm	0.51	47mm	40mm	72	0.50
GT2252		Compressor			Turbine			
HP: 150-260	Disp: 1.7L-2.5L	Inducer	Exducer	A/R	Inducer	Exducer	Trim	A/R
Turbo PN: 452187-5006S		40mm	52mm	0.51	50mm	43mm	72	0.67
GT2554R		Compressor			Turbine			
HP: 170-270	Disp: 1.4L-2.2L	Inducer	Exducer	A/R	Inducer	Exducer	Trim	A/R
Turbo PN: 836023-5001S		42mm	54mm	0.80	53mm	42mm	62	0.64

GT2560R		Compressor			Turbine			
HP: 200-330	Disp: 1.6L-2.5L	Inducer	Exducer	A/R	Inducer	Exducer	Trim	A/R
Turbo PN: 836023-5004S		46mm	60mm	0.80	53mm	42mm	62	0.64
GT2860R		Compressor			Turbine			
HP: 250-360	Disp: 1.8L-3.0L	Inducer	Exducer	A/R	Inducer	Exducer	Trim	A/R
Turbo PN: 836026-5005S		47mm	60mm	0.60	54mm	47mm	76	0.64
GT2860RS		Compressor			Turbine			
HP: 250-360	Disp: 1.8L-3.0L	Inducer	Exducer	A/R	Inducer	Exducer	Trim	A/R
Turbo PN: 836026-5013S		47mm	60mm	0.60	54mm	47mm	76	0.86
Turbo PN: 836026-5014S		47mm	60mm	0.60	54mm	47mm	76	0.64
GT2871R		Compressor			Turbine			
HP: 280-475	Disp: 1.8L-3.0L	Inducer	Exducer	A/R	Inducer	Exducer	Trim	A/R
Turbo PN: 836026-5020S		53mm	71mm	0.60	54mm	47mm	76	0.86
Turbo PN: 836026-5021S		53mm	71mm	0.60	54mm	47mm	76	0.64
Turbine Kits: GT28		PN	A/R	Inlet	Outlet	Wastegate	Divided	
Kits not directly interchangeable.		827690-0005	0.64	T25	5-Bolt	Wastegated	N	
Modifications required to the		827690-0004	0.86	T25	5-Bolt	Wastegated	N	
exhaust system to fit.		827690-0001	0.57	V-Band	V-Band	Free Float	N	
		827690-0002	0.72	V-Band	V-Band	Free Float	N	
GT3071R		Compressor			Turbine			
HP: 280-480	Disp: 2.5L-3.5L	Inducer	Exducer	A/R	Inducer	Exducer	Trim	
836028-5001S	69.85mm hose / square heat shroud	53mm	71mm	0.50	60mm	55mm	84	
836028-5002S	102.00mm hose / square heat shroud	53mm	71mm	0.50	60mm	55mm	84	
836028-5005S	102.00mm hose / stepped heat shroud	53mm	71mm	0.50	60mm	55mm	84	
GT3076R		Compressor			Turbine			
HP: 310-525	Disp: 2.0L-3.5L	Inducer	Exducer	Trim	A/R	Inducer	Exducer	Trim
Supercore: 836028-5003S		57mm	76mm	56	0.60	60mm	55mm	84
Turbine Kits: GT30		PN	A/R	Inlet	Outlet	Wastegate	Divided	
Interchangeable with GT, GTX		740902-0009	0.63	T3	V-Band	Free Float	N	
Gen I, and GTX Gen II 30		740902-0008	0.82	T3	V-Band	Free Float	N	
Series Supercores		740902-0007	1.06	T3	V-Band	Free Float	N	
		740902-0036	0.61	V-Band	V-Band	Free Float	N	
		740902-0035	0.83	V-Band	V-Band	Free Float	N	
		740902-0034	1.01	V-Band	V-Band	Free Float	N	
Wastegated turbine assembly does not include bolts, clamps, or actuator		PN	A/R	Inlet	Outlet	Wastegate	Divided	
		771300-0006	0.63	T3	5 bolt	Wastegated	N	
		771300-0005	0.82	T3	5 bolt	Wastegated	N	
		771300-0004	1.06	T3	5 bolt	Wastegated	N	
GT3582R		Compressor			Turbine			
HP: 400-675	Disp: 2.0L-4.5L	Inducer	Exducer	Trim	A/R	Inducer	Exducer	Trim
Supercore: 836033-5002S		61mm	82mm	56	0.70	68mm	62mm	84
Turbine Kits: GT35		PN	A/R	Inlet	Outlet	Wastegate	Divided	
Interchangeable with GT, GTX		740902-0012	0.63	T3	V-Band	Free Float	N	
Gen I, and GTX Gen II 35 Series		740902-0011	0.82	T3	V-Band	Free Float	N	
Supercores		740902-0010	1.06	T3	V-Band	Free Float	N	
		740902-0018	0.63	T4	V-Band	Free Float	N	
		740902-0017	0.82	T4	V-Band	Free Float	N	
		740902-0016	1.06	T4	V-Band	Free Float	N	
		740902-0033	0.61	V-Band	V-Band	Free Float	N	
		740902-0032	0.83	V-Band	V-Band	Free Float	N	
		740902-0031	1.01	V-Band	V-Band	Free Float	N	
Wastegated turbine assembly does not include bolts, clamps, or actuator		PN	A/R	Inlet	Outlet	Wastegate	Divided	
		771300-0003	0.63	T25	5 Bolt	Wastegated	N	
		771300-0002	0.82	T3	5 Bolt	Wastegated	N	

Model	Base Pressure	Red	Blue	Black	Silver
GVW-40	1 Bar 14.5 PSI	908827-0001	908827-0002	908827-0003	908827-0004
GVW-45	1 Bar 14.5 PSI	908828-0001	908828-0002	908828-0003	908828-0004
GVW-50	1 Bar 14.5 PSI	908829-0001	908829-0002	908829-0003	908829-0004

Speed Sensor Kits	Description	Kit Type	Gauge	Harness	Speed Sensor	Bolt
781328-0001	GTX Gen II \ GTX \ GT \ GTW	Street	Y	Y	Y	N
781328-0002	GTX Gen II \ GTX \ GT \ GTW	Pro	N	Y	Y	N
781328-0003	G Series \ GTX55 Gen II \ GTX50 Gen II \ GTX47 Gen II	Street	Y	Y	Y	Y
781328-0004	G Series \ GTX55 Gen II \ GTX50 Gen II \ GTX47 Gen II	Pro	N	Y	Y	Y

Accessory PN	Description
773326-0001	Boost Gauge PSI
773326-0002	Boost Gauge BAR

POSSIBLE CAUSES	SYMPTOMS								SOLUTION			
	Engine lacks power	Black smoke	Excessive oil consumption	Blue smoke	Noise	Excessive oil - compressor end	Excessive oil - turbine end	Drag or bind in rotating assembly		Excessive rotating assembly play	Damaged compressor wheel	Damaged turbine wheel
Dirty air cleaner element	●	●										Clean or replace filter element
Plugged crankcase breathers			●									Clear obstruction per manufacturer's manual
Air cleaner element missing, leaking, or loose connections to turbo								●			●	Replace, repair or reconnect air cleaner element per manufacturer's manual
Collapsed or restricted air pipe before turbocharger	●	●										Inspect pipe for damage or obstruction, replace or repair
Restricted or damaged crossover pipe - turbo to inlet manifold	●	●										Inspect pipe for damage or obstruction, replace or repair
Foreign object between cleaner and turbocharger	●	●						●	●	●		Inspect air intake piping, remove foreign object
Foreign object in exhaust system (check engine)	●	●						●	●	●	●	Inspect exhaust piping only when engine is not running and cold, remove foreign object
Turbocharger flanges, clamp or bolts loose	●	●	●	●	●	●	●	●	●	●	●	Inspect all connecting hardware for damage, ensure tight fits per installation instructions
Inlet manifold cracked, gaskets, loose or missing, connections loose	●	●	●	●	●							Remove and inspect inlet manifold for damage to castings and gaskets, replace if needed
Exhaust manifold cracked, burned, gasket loose, blown or missing	●	●										Remove exhaust manifold only when engine is cold and not running and inspect for damage to castings and gaskets, replace if needed
Restricted exhaust system					●							Inspect exhaust system only when engine is cold, not running, remove obstruction
Oil lag at start-up								●	●			Inspect lubrication system lines, filters and oil for obstruction, remove obstruction
Insufficient lubrication								●	●			Inspect lubrication system lines, filters and oil for obstruction, remove obstruction
Lubricating oil contaminated with dirt or other material								●	●			Replace all filters and lubricating oil with new per manufacturer's manual
Improper lubricating oil type used								●	●			Replace lubricating oil with correct grade
Restricted oil feed line							●	●	●			Remove and inspect oil line, remove obstruction
Restricted oil drain line								●	●			Remove and inspect oil line, remove obstruction
Turbine housing damaged or restricted	●	●			●						●	Remove turbine housing, inspect for cracks or wear, replace if needed
Turbocharger seal leakage			●	●		●	●					Inspect for proper oil feed / drain line installation. Contact Garrett distributor for rebuild
Worn journal bearings	●	●	●			●	●	●	●	●	●	Contact a Garrett performance distributor or Garrett master distributor
Excessive dirt build-up behind turbine wheel	●	●	●	●	●			●	●	●	●	Inspect air cleaner element and intake piping for damage or leaks, replace if needed. Clean compressor wheel and housing
Excessive carbon build-up behind compressor housing	●	●	●	●	●					●	●	Inspect crankcase ventilation
Too fast acceleration at initial start									●	●		Decrease acceleration at initial start
Too little warm-up time									●	●		Extend warm-up period
Fuel pump malfunction	●	●										Refer to engine manufacturer's manual and replace if needed
Worn or damaged injectors	●	●										Inspect injectors for damage and replace if needed
Valve timing	●	●										Refer to engine manufacturer's manual and replace if needed
Burned valves	●	●										Refer to engine manufacturer's manual and replace if needed
Worn piston rings	●	●										Refer to engine manufacturer's manual and replace if needed
Burned pistons								●	●			Refer to engine manufacturer's manual and replace if needed
Leaking oil feed line								●				Remove and inspect oil line, remove obstruction
Excessive engine pre-oil			●	●		●	●					Refer to engine manufacturer's manual and replace if needed
Excessive engine idle			●	●			●	●			●	Refer to engine manufacturer's manual and replace if needed
Coked or sludged center housing									●			Contact a Garrett performance distributor or Garrett master distributor
Oil pump malfunction			●	●		●	●	●	●	●	●	Refer to engine manufacturer's manual and replace if needed
Oil filter plugged	●	●	●	●	●							Refer to engine manufacturer's manual and replace if needed
Oil bath cleaner: air inlet screen restricted / dirty air cleaner	●	●	●	●	●							Replace air inlet screen
Oil bath air cleaner: oil pull-over / oil viscosity too low or high	●	●	●	●	●							Replace lubricating oil with correct grade
Boost control malfunction: wastegate	●	●	●	●	●	●		●	●	●		Inspect for damage, leaks or obstructions; replace or repair if needed
Boost control malfunction: vnt	●	●	●	●	●	●		●	●	●		Contact a Garrett performance distributor or Garrett master distributor
Boost control malfunction: engine management system	●	●	●	●	●	●		●	●	●		Refer to manufacturer's manual and adjust as needed

● Probable cause
□ Not a probable cause

Nearly all turbocharger-related problems are the result of a handful of causes. Knowing how to recognize the symptoms of these issues early and link them with causes will help you save downtime and money. The chart above outlines the probable causes and noticeable conditions of the most common turbocharger maladies as well as what you can do to solve them. If a problem falls outside of your mechanical comfort level, contact a Performance Distributor or a Master Distributor for assistance. www.GarrettMotion.com/Racing-and-Performance/Distributor-Locator/

Terms and Conditions

Garrett, the Garrett Advancing Motion logo, and all product names appearing on our websites are among the trademarks and/or service marks owned by Garrett Transportation I Inc., a subsidiary of Garrett Motion Inc. (collectively referred to herein as “Garrett”). No trademark or service mark or other license is granted in connection with the materials contained on any of Garrett’s websites.

Nothing contained herein shall be construed as conferring by implication, estoppel or otherwise a license to any patent, trademark or other intellectual property of Garrett or any third party. Garrett makes no representations or warranties that use of the information contained on this website will not infringe any patent, trademark or other intellectual property right of Garrett or any third party. Should you view Garrett’s website and respond with information (excluding personal information, which is addressed under the Internet Privacy Policy) including questions, comments or suggestions, such information shall be deemed to be non-confidential and Garrett shall have no obligation with respect to such information and shall be free to reproduce, use, disclose and distribute the information without limitation. Garrett shall be free to use any ideas, concepts, know-how or techniques contained in such information for any purpose including but not limited to developing, manufacturing and marketing products incorporating such information.

Under no circumstances will Garrett be liable to any person or entity for direct, indirect, special, incidental, consequential or other damages based on use of this website or any other website to which this website is linked, including, without limitation, lost profits, business interruption, or loss of programs or information, even if Garrett has been specifically advised of the possibility of such damages.

Consumers are required to work through an authorized Garrett distributor to process warranty claims. When Garrett requires the examination of a failed part, Garrett will promptly notify Customer and will await receipt of the failed part before processing the claim. If Garrett ultimately determines that the failed part is covered under the Limited Warranty, Garrett will reimburse Customer for the actual cost of ground shipment for any part found to be defective.

No representative or distributor of Garrett has authority to alter this warranty. This warranty may only be modified by an agreement signed by an authorized officer of a Garrett legal entity.

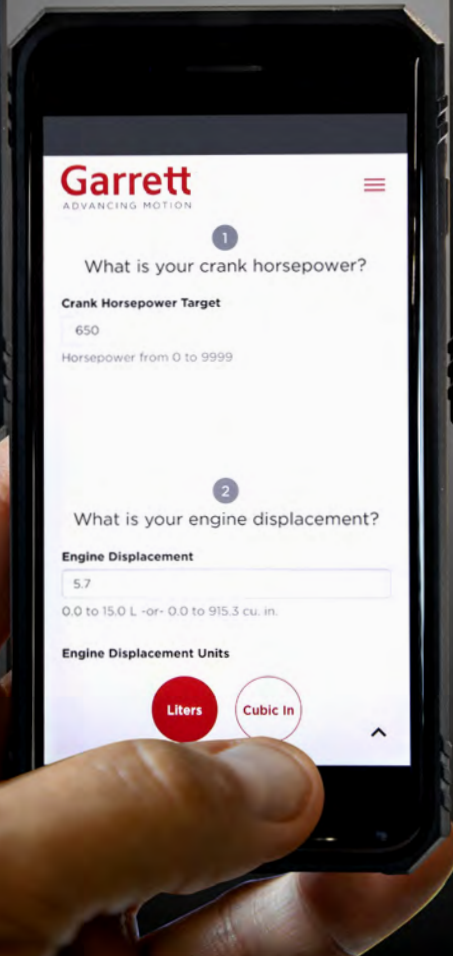
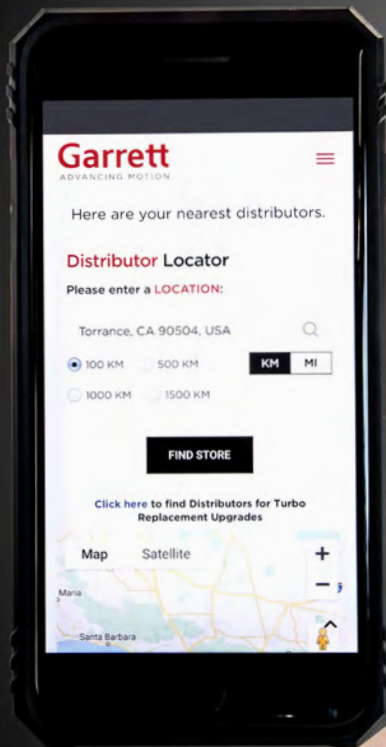
We recommend that Garrett products be installed by qualified automotive technicians. If you have doubts as to your ability to install our product, consult with a local automotive repair company. Carefully read all attached instructions prior to starting installation. If you have questions about the enclosed parts or instructions, call the distributor that you purchased the kit from for clarification. Prior to product installation, ensure that the vehicle is parked on a level surface and the engine is cool. Engine fluids and components can be extremely hot following normal vehicle operation. Avoid direct contact of engine fluids or components.



BOOST ADVISER

TURBO MATCHING MADE EASY
MOBILE AND DESKTOP DEVICES

1. ENTER YOUR PARAMETERS
2. BROWSE TURBO MATCHES
3. LOCATE A DISTRIBUTOR



Garrett
ADVANCING MOTION