

# ETSI TS 122 261 V15.9.0 (2021-10)



**5G;**  
**Service requirements for the 5G system**  
**(3GPP TS 22.261 version 15.9.0 Release 15)**



---

Reference

RTS/TSGS-0122261vf90

---

Keywords

5G

**ETSI**

650 Route des Lucioles  
F-06921 Sophia Antipolis Cedex - FRANCE

Tel.: +33 4 92 94 42 00 Fax: +33 4 93 65 47 16

Siret N° 348 623 562 00017 - NAF 742 C  
Association à but non lucratif enregistrée à la  
Sous-Préfecture de Grasse (06) N° 7803/88

---

**Important notice**

The present document can be downloaded from:

<http://www.etsi.org/standards-search>

The present document may be made available in electronic versions and/or in print. The content of any electronic and/or print versions of the present document shall not be modified without the prior written authorization of ETSI. In case of any existing or perceived difference in contents between such versions and/or in print, the prevailing version of an ETSI deliverable is the one made publicly available in PDF format at [www.etsi.org/deliver](http://www.etsi.org/deliver).

Users of the present document should be aware that the document may be subject to revision or change of status.

Information on the current status of this and other ETSI documents is available at

<https://portal.etsi.org/TB/ETSIDeliverableStatus.aspx>

If you find errors in the present document, please send your comment to one of the following services:

<https://portal.etsi.org/People/CommitteeSupportStaff.aspx>

---

**Copyright Notification**

No part may be reproduced or utilized in any form or by any means, electronic or mechanical, including photocopying and microfilm except as authorized by written permission of ETSI.

The content of the PDF version shall not be modified without the written authorization of ETSI.

The copyright and the foregoing restriction extend to reproduction in all media.

© ETSI 2021.

All rights reserved.

**DECT™**, **PLUGTESTS™**, **UMTS™** and the ETSI logo are trademarks of ETSI registered for the benefit of its Members.

**3GPP™** and **LTE™** are trademarks of ETSI registered for the benefit of its Members and of the 3GPP Organizational Partners.

**oneM2M™** logo is a trademark of ETSI registered for the benefit of its Members and of the oneM2M Partners.

**GSM®** and the GSM logo are trademarks registered and owned by the GSM Association.

---

## Intellectual Property Rights

### Essential patents

IPRs essential or potentially essential to normative deliverables may have been declared to ETSI. The information pertaining to these essential IPRs, if any, is publicly available for **ETSI members and non-members**, and can be found in ETSI SR 000 314: "*Intellectual Property Rights (IPRs); Essential, or potentially Essential, IPRs notified to ETSI in respect of ETSI standards*", which is available from the ETSI Secretariat. Latest updates are available on the ETSI Web server (<https://ipr.etsi.org/>).

Pursuant to the ETSI IPR Policy, no investigation, including IPR searches, has been carried out by ETSI. No guarantee can be given as to the existence of other IPRs not referenced in ETSI SR 000 314 (or the updates on the ETSI Web server) which are, or may be, or may become, essential to the present document.

### Trademarks

The present document may include trademarks and/or tradenames which are asserted and/or registered by their owners. ETSI claims no ownership of these except for any which are indicated as being the property of ETSI, and conveys no right to use or reproduce any trademark and/or tradename. Mention of those trademarks in the present document does not constitute an endorsement by ETSI of products, services or organizations associated with those trademarks.

---

## Legal Notice

This Technical Specification (TS) has been produced by ETSI 3rd Generation Partnership Project (3GPP).

The present document may refer to technical specifications or reports using their 3GPP identities. These shall be interpreted as being references to the corresponding ETSI deliverables.

The cross reference between 3GPP and ETSI identities can be found under <http://webapp.etsi.org/key/queryform.asp>.

---

## Modal verbs terminology

In the present document "**shall**", "**shall not**", "**should**", "**should not**", "**may**", "**need not**", "**will**", "**will not**", "**can**" and "**cannot**" are to be interpreted as described in clause 3.2 of the [ETSI Drafting Rules](#) (Verbal forms for the expression of provisions).

"**must**" and "**must not**" are **NOT** allowed in ETSI deliverables except when used in direct citation.

# Contents

Intellectual Property Rights .....	2
Legal Notice .....	2
Modal verbs terminology.....	2
Foreword.....	6
Introduction .....	6
1 Scope .....	7
2 References .....	7
3 Definitions, symbols and abbreviations .....	8
3.1 Definitions .....	8
3.2 Abbreviations .....	9
4 Overview .....	9
5 High-level requirements .....	10
5.1 Migration to 5G .....	10
5.1.1 Description.....	10
5.1.2 Requirements .....	11
5.1.2.1 Interworking between 5G systems .....	11
5.1.2.2 Legacy service support.....	11
5.1.2.3 Interoperability with legacy 3GPP systems.....	11
6 Basic capabilities.....	11
6.1 Network slicing .....	11
6.1.1 Description.....	11
6.1.2 Requirements .....	11
6.2 Diverse mobility management.....	12
6.2.1 Description.....	12
6.2.2 General requirements.....	13
6.2.3 Service continuity requirements .....	13
6.3 Multiple access technologies.....	13
6.3.1 Description.....	13
6.3.2 Requirements .....	13
6.3.2.1 General .....	13
6.3.2.2 E-UTRA access .....	14
6.3.2.3 Void.....	14
6.3.2.4 Void.....	14
6.4 Resource efficiency .....	14
6.4.1 Description.....	14
6.4.2 Requirements .....	15
6.4.2.1 General .....	15
6.4.2.2 Void.....	15
6.4.2.3 Void.....	15
6.4.2.4 Efficient control plane.....	15
6.5 Efficient user plane.....	16
6.5.1 Description.....	16
6.5.2 Requirements .....	16
6.6 Efficient content delivery .....	17
6.6.1 Description.....	17
6.6.2 Requirements .....	17
6.7 Priority, QoS, and policy control.....	17
6.7.1 Description.....	17
6.7.2 Requirements .....	18
6.8 Dynamic policy control .....	18
6.9 Void.....	19
6.9.1 Void .....	19

6.9.2	Void .....	19
6.10	Network capability exposure .....	19
6.10.1	Description .....	19
6.10.2	Requirements .....	19
6.11	Context aware network .....	19
6.11.1	Description .....	19
6.11.2	Requirements .....	20
6.12	Void .....	20
6.13	Void .....	20
6.14	Subscription aspects .....	20
6.14.1	Description .....	20
6.14.2	Requirements .....	20
6.15	Energy efficiency .....	21
6.15.1	Description .....	21
6.15.2	Requirements .....	21
6.16	Markets requiring minimal service levels .....	21
6.16.1	Description .....	21
6.16.2	Requirements .....	22
6.17	Extreme long range coverage in low density areas .....	22
6.17.1	Description .....	22
6.17.2	Requirements .....	22
6.18	Void .....	22
6.19	3GPP access network selection .....	22
6.19.1	Description .....	22
6.19.2	Requirements .....	22
6.20	eV2X aspects .....	23
6.20.1	Description .....	23
6.20.2	Requirements .....	23
6.21	NG-RAN Sharing .....	23
6.21.1	Description .....	23
6.21.2	Requirements .....	23
6.22.2.1	General .....	24
6.22.2.2	Access identities .....	25
6.22.2.3	Access categories .....	25
7	Performance requirements .....	26
7.1	High data rates and traffic densities .....	26
7.2	Low latency and high reliability .....	28
7.2.1	Overview .....	28
7.2.2	Scenarios and KPIs .....	28
7.2.3	Other requirements .....	31
7.3	High accuracy positioning .....	31
7.3.1	Description .....	31
7.3.2	Requirements .....	31
8	Security .....	32
8.1	Description .....	32
8.2	General .....	32
8.3	Authentication .....	32
8.4	Authorization .....	33
8.5	Identity management .....	33
8.6	Regulatory .....	33
8.7	Fraud protection .....	33
8.8	Resource efficiency .....	33
9	Charging aspects .....	34
<b>Annex A (informative):</b>	<b>Latency needs to support example use cases from vertical industries .....</b>	<b>35</b>
<b>Annex B (informative):</b>	<b>Positioning accuracy needs to support example use cases from vertical industries .....</b>	<b>36</b>
<b>Annex C (informative):</b>	<b>Relation of communication service availability and reliability .....</b>	<b>37</b>

<b>Annex D (informative):</b>	<b>Low-latency and high-reliability communication use cases</b> .....	<b>40</b>
D.1	Discrete automation – motion control .....	40
D.1.1	Service area and connection density .....	41
D.1.2	Security .....	41
D.2	Discrete automation.....	41
D.2.1	Service area and connection density .....	43
D.2.2	Security .....	43
D.3	Process automation.....	43
D.3.1	Remote control.....	44
D.3.2	Monitoring .....	44
D.3.3	Service area.....	44
D.4	Electricity distribution .....	44
D.4.1	Medium voltage .....	44
D.4.1.1	Service area and connection density .....	46
D.4.1.2	Security .....	46
D.4.2	Energy distribution – high voltage.....	46
D.4.2.1	Service area and connection density .....	46
D.4.2.2	Security .....	46
D.5	Intelligent transport systems – infrastructure backhaul .....	47
D.5.1	Service area and connection density .....	47
<b>Annex E (informative):</b>	<b>Higher-accuracy positioning use cases</b> .....	<b>48</b>
E.1	Mobile objects on factory floor .....	48
<b>Annex F (informative):</b>	<b>Change history</b> .....	<b>49</b>
History .....		52

---

# Foreword

This Technical Specification has been produced by the 3<sup>rd</sup> Generation Partnership Project (3GPP).

The contents of the present document are subject to continuing work within the TSG and may change following formal TSG approval. Should the TSG modify the contents of the present document, it will be re-released by the TSG with an identifying change of release date and an increase in version number as follows:

Version x.y.z

where:

- x the first digit:
  - 1 presented to TSG for information;
  - 2 presented to TSG for approval;
  - 3 or greater indicates TSG approved document under change control.
- y the second digit is incremented for all changes of substance, i.e. technical enhancements, corrections, updates, etc.
- z the third digit is incremented when editorial only changes have been incorporated in the document.

---

# Introduction

The need to support different kinds of UEs (e.g., for the Internet of Things (IoT)), services, and technologies is driving the technology revolution to a high-performance and highly efficient 3GPP system. The drivers include IoT, Virtual Reality (VR), industrial control, ubiquitous on-demand coverage, as well as the opportunity to meet customized market needs. These drivers require enhancements to the devices, services, and technologies well established by 3GPP. The key objective with the 5G system is to be able to support new deployment scenarios to address diverse market segments.

This document compiles requirements that define a 5G system.

The 5G system is characterised, for example, by:

- Support for multiple access technologies
- Scalable and customizable network
- Advanced Key Performance Indicators (KPIs) (e.g., availability, latency, reliability, user experienced data rates, area traffic capacity)
- Flexibility and programmability (e.g., network slicing, diverse mobility management, Network Function Virtualization)
- Resource efficiency (both user plane and control plane)
- Seamless mobility in densely populated and heterogeneous environment
- Support for real time and non-real time multimedia services and applications with advanced Quality of Experience (QoE)

---

# 1 Scope

The present document describes the service and operational requirements for a 5G system, including a UE, NG-RAN, and 5G Core network. Requirements for a 5G E-UTRA-NR Dual Connectivity in E-UTRAN connected to EPC are found in TS 22.278 [5].

---

# 2 References

The following documents contain provisions which, through reference in this text, constitute provisions of the present document.

- References are either specific (identified by date of publication, edition number, version number, etc.) or non-specific.
- For a specific reference, subsequent revisions do not apply.
- For a non-specific reference, the latest version applies. In the case of a reference to a 3GPP document (including a GSM document), a non-specific reference implicitly refers to the latest version of that document *in the same Release as the present document*.

- [1] 3GPP TR 21.905: "Vocabulary for 3GPP Specifications".
- [2] NGMN 5G White Paper v1.0, February 2015.
- [3] 3GPP TS 22.011: "Service accessibility".
- [4] NGMN, "Perspectives on Vertical Industries and Implications for 5G, v2.0", September 2016.
- [5] 3GPP TS 22.278: "Service requirements for the Evolved Packet System (EPS)".
- [6] 3GPP TS 22.101: "Service aspects; Service principles".
- [7] 3GPP TS 22.146: "Multimedia Broadcast/Multicast Service (MBMS)".
- [8] 3GPP TS 22.246: "Multimedia Broadcast/Multicast Service (MBMS) user services".
- [9] 3GPP TS 22.186: "Enhancement of 3GPP support for V2X scenarios".
- [10] NGMN, "Recommendations for NGMN KPIs and Requirements for 5G", June 2016
- [11] 3GPP TS 22.115: "Service aspects; Charging and billing".
- [12] Communication network dependability engineering. IEC 61907:2009.
- [13] Soriano, R., Alberto, M., Collazo, J., Gonzales, I., Kupzo, F., Moreno, L., & Lorenzo, J. OpenNode. Open Architecture for Secondary Nodes of the Electricity Smartgrid. In Proceedings CIRED 2011 21st International Conference on Electricity Distribution, CD1. June 2011.
- [14] North American Electric Reliability Council. Frequently Asked Questions (FAQs) Cyber Security Standards CIP-002-1 through CIP-009-1. Available: [http://www.nerc.com/docs/standards/sar/Revised\\_CIP-002-009\\_FAQs\\_06Mar06.pdf](http://www.nerc.com/docs/standards/sar/Revised_CIP-002-009_FAQs_06Mar06.pdf). 2006.
- [15] McTaggart, Craig, et al. "Improvements in power system integrity protection schemes." Developments in Power System Protection (DPSP 2010). Managing the Change, 10th IET International Conference on. IET, 2010.
- [16] IEEE Power Engineering Society – Power System Relaying Committee – System Protection Subcommittee Working Group C-6. Wide Area Protection and Emergency Control.
- [17] Begovic, Miroslav, et al. "Wide-area protection and emergency control." Proceedings of the IEEE 93.5, pp. 876-891, 2005.
- [18] 3GPP TR 38.913: "Study on scenarios and requirements for next generation access technologies".



## 3 Definitions, symbols and abbreviations

### 3.1 Definitions

For the purposes of the present document, the terms and definitions given in 3GPP TR 21.905 [1] and the following apply. A term defined in the present document takes precedence over the definition of the same term, if any, in 3GPP TR 21.905 [1].

**active communication:** a UE is in active communication when it has one or more connections established. A UE may have any combination of PS connections (e.g., PDP contexts, active PDN connections).

**activity factor:** percentage value of the amount of simultaneous active UEs to the total number of UEs where active means the UEs are exchanging data with the network.

**area traffic capacity:** total traffic throughput served per geographic area.

**communication service availability:** percentage value of the amount of time the end-to-end communication service is delivered according to an agreed QoS, divided by the amount of time the system is expected to deliver the end-to-end service according to the specification in a specific area.

NOTE 1: The end point in "end-to-end" is assumed to be the communication service interface.

**direct network connection:** one mode of network connection, where there is no relay UE between a UE and the 5G network.

**end-to-end latency:** the time that takes to transfer a given piece of information from a source to a destination, measured at the communication interface, from the moment it is transmitted by the source to the moment it is successfully received at the destination.

**Hosted Service:** a service containing the operator's own application(s) and/or trusted 3<sup>rd</sup> party application(s) in the Service Hosting Environment, which can be accessed by the user.

**IoT device:** a type of UE which is dedicated for a set of specific use cases or services and which is allowed to make use of certain features restricted to this type of UEs.

NOTE 3: An IoT device may be optimized for the specific needs of services and application being executed (e.g., smart home/city, smart utilities, e-Health and smart wearables). Some IoT devices are not intended for human type communications.

**network slice:** a set of network functions and corresponding resources necessary to provide the required telecommunication services and network capabilities.

**NG-RAN:** a radio access network connecting to the 5G core network which uses NR, E-UTRA, or both.

**NR:** the new 5G radio access technology.

**priority service:** a service that requires priority treatment based on regional/national or operator policies.

**private network:** an isolated network deployment that does not interact with a public network.

**reliability:** in the context of network layer packet transmissions, percentage value of the packets successfully delivered to a given system entity within the time constraint required by the targeted service out of all the packets transmitted.

**satellite access:** direct connectivity between the UE and the satellite.

**service area:** geographic region where a 3GPP communication service is accessible.

NOTE 4: The service area can be indoors.

NOTE 5: For some deployments, e.g., in process industry, the vertical dimension of the service area can be considerable.

**service continuity:** the uninterrupted user experience of a service that is using an active communication when a UE undergoes an access change without, as far as possible, the user noticing the change.

NOTE 6: In particular service continuity encompasses the possibility that after a change the user experience is maintained by a different telecommunication service (e.g., tele- or bearer service) than before the change.

NOTE 7: Examples of access changes include the following. For EPS: CS/PS domain change. For EPS and 5G: radio access change.

**Service Hosting Environment:** the environment, located inside of 5G network and fully controlled by the operator, where Hosted Services are offered from.

**survival time:** the time that an application consuming a communication service may continue without an anticipated message.

**User Equipment:** An equipment that allows a user access to network services via 3GPP and/or non-3GPP accesses.

**user experienced data rate:** the minimum data rate required to achieve a sufficient quality experience, with the exception of scenario for broadcast like services where the given value is the maximum that is needed.

**wireless backhaul:** a link which provides an interconnection between 5G network nodes and/or transport network using 5G radio access technology.

## 3.2 Abbreviations

For the purposes of the present document, the abbreviations given in 3GPP TR 21.905 [1] and the following apply. An abbreviation defined in the present document takes precedence over the definition of the same abbreviation, if any, in 3GPP TR 21.905 [1].

3D	Three Dimensional
5G	Fifth Generation
AR	Augmented Reality
A/S	Actuator/sensor
E2E	End to End
eFMSS	Enhancement to Flexible Mobile Service Steering
FMSS	Flexible Mobile Service Steering
ICP	Internet Content Provider
ID	Identification
IOPS	Isolated E-UTRAN Operation for Public Safety
IoT	Internet of Things
KPI	Key Performance Indicator
MBB	Mobile BroadBand
MIoT	Massive Internet of Things
MNO	Mobile Network Operator
MPS	Multimedia Priority Service
MVNO	Mobile Virtual Network Operator
NGMN	Next Generation Mobile Networks
QoE	Quality of Experience
SEES	Service Exposure and Enablement Support
SST	Slice/Service Type
UAV	Unmanned Aerial Vehicle
UHD	Ultra High Definition
VR	Virtual Reality

---

## 4 Overview

Unlike previous 3GPP systems that attempted to provide a 'one size fits all' system, the 5G system is expected to be able to provide optimized support for a variety of different services, different traffic loads, and different end user communities. Various industry white papers, most notably, the NGMN 5G White Paper [2], describe a multi-faceted 5G system capable of simultaneously supporting multiple combinations of reliability, latency, throughput, positioning, and availability. This technology revolution is achievable with the introduction of new technologies, both in access and the core, such as flexible, scalable assignment of network resources. In addition to increased flexibility and optimization, a 5G system needs to support stringent KPIs for latency, reliability, throughput, etc. Enhancements in the air interface

contribute to meeting these KPIs as do enhancements in the core network, such as network slicing, in-network caching and hosting services closer to the end points.

A 5G system also supports new business models such as those for IoT and enterprise managed networks. Drivers for the 5G KPIs include services such as Unmanned Aerial Vehicle (UAV) control, Augmented Reality (AR), and factory automation. Network flexibility enhancements support self-contained enterprise networks, installed and maintained by network operators while being managed by the enterprise. Enhanced connection modes and evolved security facilitate support of massive IoT, expected to include tens of millions of UEs sending and receiving data over the 5G network.

Flexible network operations are the mainstay of the 5G system. The capabilities to provide this flexibility include network slicing, network capability exposure, scalability, and diverse mobility. Other network operations requirements address the necessary control and data plane resource efficiencies, as well as network configurations that optimize service delivery by minimizing routing between end users and application servers. Enhanced charging and security mechanisms handle new types of UEs connecting to the network in different ways.

Mobile Broadband (MBB) enhancements aim to meet a number of new KPIs. These pertain to high data rates, high user density, high user mobility, highly variable data rates, deployment, and coverage. High data rates are driven by the increasing use of data for services such as streaming (e.g., video, music, and user generated content), interactive services (e.g., AR), and IoT. These services come with stringent requirements for user experienced data rates as well as associated requirements for latency to meet service requirements. Additionally, increased coverage in densely populated areas such as sports arenas, urban areas, and transportation hubs has become essential for pedestrians and users in urban vehicles. New KPIs on traffic and connection density enable both the transport of high volumes of data traffic per area (traffic density) and transport of data for a high number of connections (e.g., UE density or connection density). Many UEs are expected to support a variety of services which exchange either a very large (e.g., streaming video) or very small (e.g., data burst) amount of data. The 5G system will handle this variability in a resource efficient manner. All of these cases introduce new deployment requirements for indoor and outdoor, local area connectivity, high user density, wide area connectivity, and UEs travelling at high speeds.

Another aspect of 5G KPIs includes requirements for various combinations of latency and reliability, as well as higher accuracy for positioning. These KPIs are driven by support for both commercial and public safety services. On the commercial side, industrial control, industrial automation, UAV control, and AR are examples of those services. Services such as UAV control will require more precise positioning information that includes altitude, speed, and direction, in addition to horizontal coordinates.

Support for Massive Internet of Things (MIoT) brings many new requirements in addition to those for the enhanced KPIs. The expansion of connected things introduces a need for significant improvements in resource efficiency in all system components (e.g., UEs, IoT devices, radio, access network, core network).

The 5G system also aims to enhance its capability to meet KPIs that emerging V2X applications require. For these advanced applications, the requirements, such as data rate, reliability, latency, communication range and speed, are made more stringent.

---

## 5 High-level requirements

### 5.1 Migration to 5G

#### 5.1.1 Description

The 5G system supports most of the existing EPS services, in addition to many new services. The existing EPS services may be accessed using the new 5G access technologies even where the EPS specifications might indicate E-UTRA(N) only. Only new or changed service requirements for new or changed services are specified in this TS. The few EPS capabilities that are not supported by the 5G system are identified in clause 5.1.2.2 below.

## 5.1.2 Requirements

### 5.1.2.1 Interworking between 5G systems

The 5G system shall support a UE with a 5G subscription roaming into a 5G Visited Mobile Network which has a roaming agreement with the UE's 5G Home Mobile Network.

The 5G system shall enable a Visited Mobile Network to provide support for establishing home network provided data connectivity as well as visited network provided data connectivity.

The 5G system shall enable a Visited Mobile Network to provide support for services provided in the home network as well as provide services in the visited network. Whether a service is provided in the visited network or in the home network is determined on a service by service basis.

The 5G system shall provide a mechanism for a network operator to limit access to its services for a roaming UE, (e.g., based on roaming agreement).

The 5G system shall provide a mechanism for a network operator to direct a UE onto a partnership network for routing all or some of the UE user plane and associated control plane traffic over the partnership network, subject to an agreement between the operators.

### 5.1.2.2 Legacy service support

The 5G system shall support all EPS capabilities (e.g., from TSs 22.011, 22.101, 22.278, 22.185, 22.071, 22.115, 22.153, 22.173) with the following exceptions:

- CS voice service continuity and/or fallback to GERAN or UTRAN,
- seamless handover between NG-RAN and GERAN,
- seamless handover between NG-RAN and UTRAN, and
- access to a 5G core network via GERAN or UTRAN.

### 5.1.2.3 Interoperability with legacy 3GPP systems

The 5G system shall support mobility procedures between a 5G core network and an EPC with minimum impact to the user experience (e.g. QoS, QoE).

---

## 6 Basic capabilities

### 6.1 Network slicing

#### 6.1.1 Description

Network slicing allows the operator to provide customised networks. For example, there can be different requirements on functionality (e.g., priority, charging, policy control, security, and mobility), differences in performance requirements (e.g., latency, mobility, availability, reliability and data rates), or they can serve only specific users (e.g., MPS users, Public Safety users, corporate customers, roamers, or hosting an MVNO).

A network slice can provide the functionality of a complete network, including radio access network functions and core network functions (e.g., potentially from different vendors). One network can support one or several network slices.

#### 6.1.2 Requirements

The 5G system shall allow the operator to create, modify, and delete a network slice.

The 5G system shall allow the operator to define and update the set of services and capabilities supported in a network slice.

The 5G system shall allow the operator to configure the information which associates a UE to a network slice.

The 5G system shall allow the operator to configure the information which associates a service to a network slice.

The 5G system shall allow the operator to assign a UE to a network slice, to move a UE from one network slice to another, and to remove a UE from a network slice based on subscription, UE capabilities, the access technology being used by the UE, operator's policies and services provided by the network slice.

The 5G system shall support a mechanism for the VPLMN to assign a UE to a network slice with the needed services and authorised by the HPLMN, or to a default network slice.

The 5G system shall enable a UE to be simultaneously assigned to and access services from more than one network slice of one operator.

Traffic and services in one network slice shall have no impact on traffic and services in other network slices in the same network.

Creation, modification, and deletion of a network slice shall have no or minimal impact on traffic and services in other network slices in the same network.

The 5G system shall support scaling of a network slice, i.e., adaptation of its capacity.

The 5G system shall enable the network operator to define a minimum available capacity for a network slice. Scaling of other network slices on the same network shall have no impact on the availability of the minimum capacity for that network slice.

The 5G system shall enable the network operator to define a maximum capacity for a network slice.

The 5G system shall enable the network operator to define a priority order between different network slices in case multiple network slices compete for resources on the same network.

The 5G system shall support means by which the operator can differentiate policy control, functionality and performance provided in different network slices.

The serving 5G network shall support providing connectivity to home and roaming users in the same network slice.

In shared 5G network configuration, each operator shall be able to apply all the requirements from this clause to their allocated network resources.

The 5G system shall support a mechanism to configure a specific geographic area in which a network slice is accessible, i.e., a UE shall be within the geographical area in order to access the network slice.

## 6.2 Diverse mobility management

### 6.2.1 Description

A key feature of 5G is support for UEs with different mobility management needs. 5G will support UEs with a range of mobility management needs, including UEs that are

- stationary during their entire usable life (e.g., sensors embedded in infrastructure),
- stationary during active periods, but nomadic between activations (e.g., fixed access),
- mobile within a constrained and well-defined space (e.g., in a factory), and
- fully mobile.

Moreover, some applications require the network to ensure seamless mobility of a UE so that mobility is hidden from the application layer to avoid interruptions in service delivery while other applications have application specific means to ensure service continuity. But these other applications may still require the network to minimize interruption time to ensure that their application-specific means to ensure service continuity work effectively.

With the ever-increasing multimedia broadband data volumes, it is also important to enable the offloading of IP traffic from the 5G network onto traditional IP routing networks via an IP anchor node close to the network edge. As the UE moves, changing the IP anchor node may be needed in order to reduce the traffic load in the system, reduce end-to-end latency and provide a better user experience.

The flexible nature of a 5G system will support different mobility management methods that minimize signalling overhead and optimize access for these different types of UEs.

## 6.2.2 General requirements

The 5G network shall allow operators to optimize network behaviour (e.g., mobility management support) based on the mobility patterns (e.g., stationary, nomadic, spatially restricted mobility, full mobility) of a UE or group of UEs.

The 5G system shall enable operators to specify and modify the types of mobility support provided for a UE or group of UEs.

The 5G system shall optimize mobility management support for a UE or group of UEs that use only mobile originated communications.

## 6.2.3 Service continuity requirements

The 5G system shall enable packet loss to be minimized during inter- and/or intra- access technology changes for some or all connections associated with a UE.

For applications that require the same IP address during the lifetime of the session, the 5G system shall enable maintaining the IP address assigned to a UE when moving across different cells and access technologies for connections associated with a UE.

The 5G system shall enable minimizing impact to the user experience (e.g., minimization of interruption time) when changing the IP address and IP anchoring point for some or all connections associated with a UE.

## 6.3 Multiple access technologies

### 6.3.1 Description

The 5G system will support 3GPP access technologies, including one or more NR and E-UTRA as well as non-3GPP access technologies. Interoperability among the various access technologies will be imperative. For optimization and resource efficiency, the 5G system will select the most appropriate 3GPP or non-3GPP access technology for a service, potentially allowing multiple access technologies to be used simultaneously for one or more services active on a UE. New technology such as satellite and wide area base stations will increase coverage and availability. This clause provides requirements for interworking with the various combinations of access technologies.

### 6.3.2 Requirements

#### 6.3.2.1 General

Based on operator policy, the 5G system shall enable the UE to select, manage, and efficiently provision services over the 3GPP or non-3GPP access.

Based on operator policy, the 5G system shall support steering a UE to select certain 3GPP access network(s).

Based on operator policy, the 5G system shall be able to dynamically offload part of the traffic (e.g. from 3GPP RAT to non-3GPP access technology), taking into account traffic load and traffic type.

Based on operator policy, the 5G system shall be able to provide simultaneous data transmission via different access technologies, (e.g., NR, E-UTRA, non-3GPP), to access one or more 3GPP services.

When a UE is using two or more access technologies simultaneously, the 5G system shall be able to select between access technologies in use, taking into account e.g., service, traffic characteristics, radio characteristics, and UE's moving speed.

The 5G system shall be able to support data transmissions optimized for different access technologies (e.g., 3GPP, non-3GPP) for UEs that are simultaneously connected to the network via different accesses.

Based on operator policy, the 5G system shall be able to add or drop the various access connections for a UE during a session.

The 5G system shall be able to support mobility between the supported access networks (e.g., NG-RAN, WLAN).

The 5G system shall support UEs with multiple radio and single radio capabilities.

The 5G system shall support dynamic and static network address allocation of a common network address to the UE over all supported access types.

The 5G system shall support a set of identities for a single user in order to provide a consistent set of policies and a single set of services across 3GPP and non-3GPP access types.

The 5G system shall support the capability to operate in licensed and/or unlicensed bands.

### 6.3.2.2 E-UTRA access

The 5G system shall be able to support seamless handover between NR and E-UTRA.

The 5G system shall support UEs with dual radio capability (i.e., a UE that can transmit on NR and E-UTRA simultaneously) as well as UEs with single radio capability (i.e., a UE that cannot transmit on NR and E-UTRA simultaneously).

### 6.3.2.3 Void

### 6.3.2.4 Void

## 6.4 Resource efficiency

### 6.4.1 Description

5G introduces the opportunity to design a system to be optimized for supporting diverse UEs and services. While support for IoT is provided by EPS, there is room for improvement in efficient resource utilization that can be designed into a 5G system whereas they are not easily retrofitted into an existing system. Some of the underlying principles of the potential service and network operation requirements associated with efficient configuration, deployment, and use of UEs in the 5G network include bulk provisioning, resource efficient access, optimization for UE originated data transfer, and efficiencies based on the reduced needs related to mobility management for stationary UEs and UEs with restricted range of movement.

As sensors and monitoring UEs are deployed more extensively, the need to support UEs that send data packages ranging in size from a small status update in a few bits to streaming video increases. A similar need exists for smart phones with widely varying amounts of data. Specifically, to support short data bursts, the network should be able to operate in a mode where there is no need for a lengthy and high overhead signalling procedure before and after small amounts of data are sent. The system will, as a result, avoid both a negative impact to battery life for the UE and wasting signalling resources.

For small form factor UEs it will be challenging to have more than 1 antenna due to the inability to get good isolation between multiple antennas. Thus these UEs need to meet the expected performance in a 5G network with only one antenna.

Cloud applications like cloud robotics perform computation in the network rather than in a UE, which requires the system to have high data rate in the uplink and very low round trip latency. Supposed that high density cloud robotics will be deployed in the future, the 5G system need to optimize the resource efficiency for such scenario.

Additional resource efficiencies will contribute to meeting the various KPIs defined for 5G. Control plane resource efficiencies can be achieved by optimizing and minimizing signalling overhead, particularly for small data transmissions. Mechanisms for minimizing user plane resources utilization include in-network caching and application

in a Service Hosting Environment closer to the end user. These optimization efforts contribute to achieving lower latency and higher reliability.

Diverse mobility management related resource efficiencies are covered in clause 6.2.

Security related resource efficiencies are covered in clause 8.8.

## 6.4.2 Requirements

### 6.4.2.1 General

The 5G system shall minimize control and user plane resource usage for data transfer from send only UEs.

The 5G system shall minimize control and user plane resource usage for stationary UEs (e.g., lower signalling to user data resource usage ratio).

The 5G system shall optimize the resource use of the control plane and/or user plane for transfer of small data units.

The 5G system shall optimize the resource use of the control plane and/or user plane for transfer of continuous uplink data that requires both high data rate (e.g., 10 Mbps) and very low end-to-end latency (e.g., 1-10 ms).

The 5G network shall optimize the resource use of the control plane and/or user plane to support high density connections (e.g., 1 million connections per square kilometre) taking into account, for example, the following criteria:

- type of mobility support;
- communication pattern (e.g., send-only, frequent or infrequent);
- characteristics of payload (e.g., small or large size data payload);
- characteristics of application (e.g., provisioning operation, normal data transfer);
- UE location;
- timing pattern of data transfer (e.g., real time or non-delay sensitive).

The 5G system shall efficiently support service discovery mechanisms where UEs can discover, subject to access rights:

- status of other UEs (e.g., sound on/off);
- capabilities of other UEs (e.g., the UE is a relay UE) and/or;
- services provided by other UEs (e.g., the UE is a colour printer).

The 5G system shall be able to minimise the amount of wireless backhaul traffic (e.g., consolidating data transmissions to 1 larger rather than many smaller), when applicable (e.g., providing service in an area subject to power outages).

The 5G system shall support small form factor UEs with single antenna.

NOTE: Small form factor UEs are typically expected to have the diagonal less than 1/5 of the lowest supported frequency wave length.

### 6.4.2.2 Void

### 6.4.2.3 Void

### 6.4.2.4 Efficient control plane

The 5G system shall minimize the signalling that is required prior to user data transmission.

NOTE: The amount of signalling overhead may vary based on the amount of data to be transmitted, even for the same UE.



## 6.5 Efficient user plane

### 6.5.1 Description

5G is designed to meet diverse services with different and enhanced performances (e.g., high throughput, low latency and massive connections) and data traffic model (e.g., IP data traffic, non-IP data traffic, short data bursts and high throughput data transmissions).

User plane should be more efficient for 5G to support differentiated requirements. On one hand, a Service Hosting Environment located inside of operator's network can offer Hosted Services closer to the end user to meet localization requirement like low latency, low bandwidth pressure. These Hosted Services contain applications provided by operators and/or trusted 3rd parties. On the other hand, user plane paths can be selected or changed to improve the user experience or reduce the bandwidth pressure, when a UE or application changes location during an active communication.

### 6.5.2 Requirements

Based on operator policy, application needs, or both, the 5G system shall support an efficient user plane path between UEs attached to the same network, modifying the path as needed when the UE moves during an active communication.

The 5G network shall enable a Service Hosting Environment provided by operator.

Based on operator policy, the 5G network shall be able to support routing of data traffic between a UE attached to the network and an application in a Service Hosting Environment for specific services, modifying the path as needed when the UE moves during an active communication.

Based on operator policy, application needs, or both, the 5G system shall support an efficient user plane path , modifying the path as needed when the UE moves or application changes location ,between a UE in an active communication and:

- an application in a Service Hosting Environment, or
- an application server located outside the operator's network.

The 5G network shall maintain user experience (e.g., QoS, QoE) when a UE in an active communication moves from a location served by a Service Hosting Environment to:

- another location served by a different Service Hosting Environment, or
- another location served by an application server located outside the operator's network, and vice versa.

The 5G network shall maintain user experience (e.g., QoS, QoE) when an application for a UE moves as follows:

- within a Service Hosting Environment, or
- from a Service Hosting Environment to another Service Hosting Environment, or
- from a Service Hosting Environment to an application server located place outside the operator's network, and vice versa.

The 5G network shall be able to interact with applications in a Service Hosting Environment for efficient network resource utilization and offloading data traffic to the Service Hosting Environment close to the UE's point of attachment to the access network.

The 5G network shall support configurations of the Service Hosting Environment in the network (e.g., access network, core network), that provide application access close to the UE's point of attachment to the access network.

The 5G system shall support mechanisms to enable a UE to access the closest Service Hosting Environment for a specific hosted application or service.

The 5G network shall enable instantiation of applications for a UE in a Service Hosting Environment close to the UE's point of attachment to the access network.

The 5G system shall be able to suspend or stop application instances in a Service Hosting Environment.

NOTE: Not all applications will always be available in all Service Hosting Environments. Therefore, it may be needed to instantiate an application at a Service Hosting Environment nearby for serving a particular UE.

Based on operator policy, the 5G system shall provide a mechanism such that one type of traffic (from a specific application or service) to/from a UE can be offloaded close to the UE's point of attachment to the access network, while not impacting other traffic type to/from that same UE.

## 6.6 Efficient content delivery

### 6.6.1 Description

Video-based services (e.g., live streaming, VR) and personal data storage applications have been instrumental for the massive growth in mobile broadband traffic. Subject to service agreement between the operator and the content provider, the information of content and content itself can be aware by operator. In-network content caching provided by the operator, a 3<sup>rd</sup> party or both, can improve user experience, reduce backhaul resource usage and utilize radio resource efficiently.

The operation of in-network caching includes flexible management of the location of the content cache within the network and efficient delivery of content to and from the appropriate content caching application. Examples of services are the delivery of popular video content from a content caching application via broadcast, and secure storage of a user's personal data or files using a distributed caching application. Such a service could also provide a student with a wireless backpack, where students can resume their work through the same or a different UE at any time, with very fast response times from the network.

### 6.6.2 Requirements

The 5G system shall enable efficient delivery of content from a content caching application under the control of the operator (e.g., a cache located close to the UE).

The 5G system shall support a content caching application in a UE under the control of the operator.

The 5G system shall support configurations of content caching applications in the network (e.g., access network, core network), that provide content close to the UE.

Based on operator policy, the 5G system shall support an efficient mechanism for selection of a content caching application (e.g., minimize utilization of radio, backhaul resources and/or application resource) for delivery of the cached content to the UE.

The 5G system shall support a mechanism for the operator to manage content distribution across content caching applications.

The 5G system shall support delivery of cached content from a content caching application via the broadcast/multicast service.

## 6.7 Priority, QoS, and policy control

### 6.7.1 Description

The 5G network will support many commercial services (e.g., medical) and regional or national regulatory services (e.g., MPS, Emergency, Public Safety) with requirements for priority treatment. Some of these services share common QoS characteristics such as latency and packet loss rate, but may have different priority requirements. For example, UAV control and air traffic control may have stringent latency and reliability requirements but not necessarily the same priority requirements. In addition, voice based services for MPS and Emergency share common QoS characteristics as applicable for normal public voice communications, yet may have different priority requirements. The 5G network will need to support mechanisms that enable the decoupling of the priority of a particular communication from the associated QoS characteristics such as latency and reliability to allow flexibility to support different priority services (that need to be configurable to meet operator needs, consistent with operator policies and corresponding national and regional regulatory policies).

The network needs to support flexible means to make priority decisions based on the state of the network (e.g., during disaster events and network congestion) recognizing that the priority needs may change during a crisis. The priority of any service may need to be different for a user of that service based on operational needs and regional or national regulations. Therefore, the 5G system should allow a flexible means to prioritise and enforce prioritisation among the services (e.g., MPS, Emergency, medical, Public Safety) and among the users of these services. The traffic prioritisation may be enforced by adjusting resource utilization or pre-empting lower priority traffic.

The network must offer a means to provide the required QoS (e.g., reliability, latency, and bandwidth) for a service and the ability to prioritize resources when necessary to meet the service requirements. Existing QoS and policy frameworks handle latency and improve reliability by traffic engineering. In order to support 5G service requirements, it is necessary for the 5G network to offer QoS and policy control for reliable communication with latency required for a service and enable the resource adaptations as necessary.

Also, as 5G network is expected to operate in a heterogeneous environment with multiple access technologies, multiple types of UE, etc., it should support a harmonised QoS and policy framework that applies to multiple accesses.

Further, for QoS control in EPS only covers RAN and core network, but for 5G network E2E QoS (e.g., RAN, backhaul, core network, network to network interconnect) is needed to achieve the 5G user experience (e.g., ultra-low latency, ultra-high bandwidth).

## 6.7.2 Requirements

The 5G system shall allow flexible mechanisms to establish and enforce priority policies among the different services (e.g., MPS, Emergency, medical, Public Safety) and users.

NOTE 1: Priority between different services is subject to regional or national regulatory and operator policies.

The 5G system shall be able to provide the required QoS (e.g., reliability, end-to-end latency, and bandwidth) for a service and support prioritization of resources when necessary for that service.

The 5G system shall allow decoupling of the priority of a particular communication from the associated QoS characteristics such as end-to-end latency and reliability.

The 5G system shall be able to support a harmonised QoS and policy framework applicable to multiple accesses.

The 5G system shall be able to support E2E (e.g., UE to UE) QoS for a service.

NOTE 2: E2E QoS needs to consider QoS in the access networks, backhaul, core network, and network to network interconnect.

The 5G system shall be able to support QoS for applications in a Service Hosting Environment.

## 6.8 Dynamic policy control

The 5G system shall support the creation and enforcement of prioritisation policy for users and traffic, during connection setup and when connected.

NOTE: Prioritisation, pre-emption, and precedence of critical traffic associated with certain priority services (e.g., MPS and Emergency) are subject to regional/national regulatory and operator policies.

The 5G system shall support optimised signalling for prioritised users and traffic where such signalling is prioritized over other signalling traffic.

Based on operator policy, the 5G system shall allow flexible means to create and enforce priority among the different service flows by authorized users.

Based on operator policy, the 5G system shall allow real-time, dynamic, secure and limited interaction with the QoS and policy framework for modification of the QoS and policy framework by authorized users.

Based on operator policy, the 5G system shall maintain a session when prioritization of that session changes in real time, provided that the new priority is above the threshold for maintaining the session.

Based on operator policy, the 5G system shall allow modifications by authorized users and context aware network functionality to the QoS and policy framework to have a variable duration.

## 6.9 Void

### 6.9.1 Void

### 6.9.2 Void

## 6.10 Network capability exposure

### 6.10.1 Description

3GPP SEES and (e)FMSS features allow the operator to expose network capabilities e.g., QoS policy to 3<sup>rd</sup> party ISPs/ICPs. With the advent of 5G, new network capabilities need to be exposed to the 3<sup>rd</sup> party (e.g., to allow the 3<sup>rd</sup> party to customize a dedicated network slice for diverse use cases; to allow the 3<sup>rd</sup> party to manage a trusted 3<sup>rd</sup> party application in a Service Hosting Environment to improve user experience, and efficiently utilize backhaul and application resources).

Applications may be frugal at periods when resources are rare and can compensate and anticipate as much as they can if timely network status information is aware by application; otherwise. Applications may be disconnected in case of user mobility.

### 6.10.2 Requirements

The following set of requirements complement the requirements listed in 3GPP TS 22.101 [6], clause 29.

Based on operator policy, a 5G network shall provide suitable APIs to allow a trusted 3<sup>rd</sup> party to create, modify, and delete network slices used for the 3<sup>rd</sup> party.

Based on operator policy, the 5G network shall provide suitable APIs to allow a trusted 3<sup>rd</sup> party to monitor the network slice used for the 3<sup>rd</sup> party.

Based on operator policy, the 5G network shall provide suitable APIs to allow a trusted 3<sup>rd</sup> party to define and update the set of services and capabilities supported in a network slice used for the 3<sup>rd</sup> party.

Based on operator policy, the 5G network shall provide suitable APIs to allow a trusted 3<sup>rd</sup> party to configure the information which associates a UE to a network slice used for the 3<sup>rd</sup> party.

Based on operator policy, the 5G network shall provide suitable APIs to allow a trusted 3<sup>rd</sup> party to configure the information which associates a service to a network slice used for the 3<sup>rd</sup> party.

Based on operator policy, the 5G network shall provide suitable APIs to allow a trusted 3<sup>rd</sup> party to assign a UE to a network slice used for the 3<sup>rd</sup> party, to move a UE from one network slice used for the 3<sup>rd</sup> party to another network slice used for the 3<sup>rd</sup> party, and to remove a UE from a network slice used for the 3<sup>rd</sup> party based on subscription, UE capabilities, and services provided by the network slice.

Based on operator policy, the 5G network shall provide suitable APIs to allow a trusted 3<sup>rd</sup> party to scale a network slice used for the 3<sup>rd</sup> party, i.e., to adapt its capacity.

Based on operator policy, a 5G network shall provide suitable APIs to allow 3<sup>rd</sup> party to offload one type of traffic (from trusted 3<sup>rd</sup> party owned applications in the operator's Service Hosting Environment) to/from a UE to a Service Hosting Environment close to the UE's location.

## 6.11 Context aware network

### 6.11.1 Description

A variety of sensors such as accelerometer, gyroscope, magnetometer, barometer, proximity sensor, and GPS can be integrated in a UE. Also, different applications running on the UE can have different communication needs (e.g., different traffic time). In addition, a UE can support different access technologies such as NR, E-UTRA, WLAN access

technology, and fixed broadband access technology. The information gathered by sensors, the utilized access technologies, the application context, and the application traffic characteristics can provide useful information to the applications installed in the UE and can also help the 5G system utilize resources in an efficient and optimized way.

## 6.11.2 Requirements

The 5G system shall support network resource utilization efficiently and network optimization based on system information, including:

- network conditions, such as network load and congestion information;
- information on served UEs such as access information (e.g., 3GPP access, non-3GPP access), cell type (e.g., macro cell, small cell), user experienced data rate;
- application's characteristics (e.g., expected traffic over time);
- information on prioritized communication such as user subscription profile and priority level, priority services (e.g., MPS, Emergency, and Public Safety), application used for priority communications (e.g., voice, video, and data) and traffic associated with priority communications (signalling and media);
- subject to user consent, enhanced traffic characteristic of UE (e.g., Mobility information (e.g., no mobility, nomadic, spatially restricted mobility, full mobility), location, sensor-level information (e.g., direction, speed, power status, display status, other sensor information installed in the UE), application-level information (e.g., foreground applications, running background application, and user settings).

The 5G system shall support mechanisms to collect system information for network optimization within an operator configured time scale.

## 6.12 Void

## 6.13 Void

## 6.14 Subscription aspects

### 6.14.1 Description

With the Internet of Things, it is expected that the diversity of IoT devices (e.g., sensors, UAVs, smart flower pots) and the usage models will largely vary. Moreover, when the IoT device is manufactured, the deployment location and specific usage may not be known. Sometimes the IoT devices will be added to existing subscriptions, other times they may be part of a new subscription for the user. Sometimes the IoT devices may be leased. During their life cycle these IoT devices go through different stages, involving the change in ownership when the IoT device is deployed and possibly afterwards, the activation of the IoT device by the preferred operator, a possible change of operators, etc. These stages need to be managed securely and efficiently. A method of dynamic subscription generation and management is needed in addition to statically provisioned subscription. Once the subscription is established, subscription management becomes necessary, for example, to modify the subscription when the ownership of the IoT device changes, to update or refresh credentials due to suspected leakage or theft of security keys or as a preventive measure.

The Internet of Things will also support various connectivity models: The IoT devices can connect with the network directly. In order to identify and manage the IoT devices, a subscription with the 5G network is needed, even if the access is done via non-3GPP access.

### 6.14.2 Requirements

An IoT device which is able to access a 5G PLMN in direct network connection mode using a 3GPP RAT shall have a 3GPP subscription.

The 5G system shall allow the operator to identify a UE as an IoT device based on UE characteristics (e.g., identified by an equipment identifier or a range of equipment identifiers) or subscription or the combination of both.

The 5G system shall be able to provide mechanisms to change the association between a subscription and address/number of an IoT device (e.g., changing the owner and subscription information associated with the IoT device) within the same operator and in between different operators in an automated or manual way.

The 5G system shall be able to support identification of subscriptions independently of identification of IoT devices. Both identities shall be secure.

Based on operator policy, the 5G system shall support a mechanism to provision on-demand connectivity (e.g. IP connectivity for remote provisioning). This on-demand mechanism should enable means for a user to request on-the-spot network connectivity while providing operators with identification and security tools for the provided connectivity.

The 5G system shall support a secure mechanism for a home operator to remotely provision the 3GPP credentials of a uniquely identifiable and verifiably secure IoT device.

## 6.15 Energy efficiency

### 6.15.1 Description

Energy efficiency is a critical issue in 5G. The potential to deploy systems in areas without a reliable energy source requires new methods of managing energy consumption not only in the UEs but throughout all components of the 5G system.

Small form factor UEs also typically have a small battery and this not only puts constraints on general power optimization but also on how the energy is consumed. With smaller batteries it is more important to understand and follow the limitations for the both the maximum peak and continuous current drain.

### 6.15.2 Requirements

The 5G access network shall support an energy saving mode with the following characteristics:

- the energy saving mode can be activated/deactivated either manually or automatically;
- service can be restricted to a group of users (e.g., public safety user, emergency callers).

NOTE: When in energy saving mode the UE's and Access transmit power may be reduced or turned off (deep sleep mode), end-to-end latency and jitter may be increased with no impact on set of users or applications still allowed.

The 5G system shall support mechanisms to improve battery life for a UE over what is possible in EPS.

The 5G system shall support UEs using small rechargeable and single coin cell batteries (e.g., considering impact on maximum pulse and continuous current).

## 6.16 Markets requiring minimal service levels

### 6.16.1 Description

A key aspect of 5G system flexibility is the ability to support both the very high end markets as well as very low end markets. Some systems will be deployed in areas where there are constraints on energy resources (e.g., sporadic access to power) and lower end user expectations for availability, reliability, and data rates. In such cases, the system needs additional flexibility to adapt power consumption needs based on fluctuations in power availability. The system should be efficient in order to provide essential services in harsh environments (e.g., far remote rural areas, very large territories) while taking into account the local constraints (adapting resources consumptions to long distances, dealing with variable conditions and possibly disconnections). Content delivery should be optimized in order to reduce constraints on transport networks, on low-end UEs (e.g., small screen, limited energy consumption), variable network conditions, and client profiles.

## 6.16.2 Requirements

The 5G system shall be able to give priority to services (e.g., e-Health) when resources are limited.

## 6.17 Extreme long range coverage in low density areas

### 6.17.1 Description

A fully connected society is expected in the near future. The network access everywhere over long distances (e.g., at extreme rural areas or at sea) for both humans and machines needs to be supported.

### 6.17.2 Requirements

The 5G system shall support the extreme long range coverage (up to 100 km) in low density areas (up to 2 user/km<sup>2</sup>).

The 5G system shall support a minimum user throughput of 1 Mbps on DL and 100 kbps on UL at the edge of coverage.

The 5G system shall support a minimum cell throughput capacity of 10 Mbps/cell on DL (based on an assumption of 1 GB/month/sub).

## 6.18 Void

## 6.19 3GPP access network selection

### 6.19.1 Description

The 5G system will support the concept of "network slices" where different NG-RANs potentially are connected to network slices of different SSTs. A 5G UE can provide assistance information (e.g., SST) to enable the network to select one or more network slices. A 5G system is foreseen to support one or more SSTs, but possibly not all existing SSTs.

A 5G network operator controls and is responsible for what SSTs that should be available to a specific UE and subscription combination, based on associated subscription type, network operator policies, network capabilities and UE capabilities. The network operator can populate the Operator Controlled PLMN Selector list with associated access technology identifiers, stored in the 5G UE, with the PLMN/RAT combinations enabling access to the SSTs that are available to the 5G UE with associated subscription.

The UE uses the list of PLMN/RAT combinations for PLMN selection, if available, typically during roaming situations. In non-roaming situations, the UE and subscription combination typically matches the HPLMN/EHPLMN capabilities and policies, from a SST perspective. That is, a 5G UE accessing its HPLMN/EHPLMN should be able to access SSTs according to UE capabilities and the related subscription.

Optionally, a 5G system supports, subject to operator policies, a User Controlled PLMN Selector list that enables the 5G UE user to specify preferred PLMNs with associated access technology identifier in priority order. The user may have obtained information about suitable PLMN/RAT combination that would support services preferred by the user.

### 6.19.2 Requirements

The following set of requirements complement the requirements listed in 3GPP TS 22.011 [3], clause 3.2.

The 5G system shall support selection among any available PLMN/RAT combinations, identified through their respective PLMN identifier and Radio Access Technology identifier, in a prioritised order. The priority order may, subject to operator policies, be provisioned in an Operator Controlled PLMN Selector lists with associated RAT identifiers, stored in the 5G UE.

The 5G system shall support, subject to operator policies, a User Controlled PLMN Selector list stored in the 5G UE, allowing the UE user to specify preferred PLMNs with associated RAT identifier in priority order.

## 6.20 eV2X aspects

### 6.20.1 Description

The 3GPP system is expected to support various enhanced V2X scenarios.

Vehicles Platooning enables the vehicles to dynamically form a group travelling together. All the vehicles in the platoon receive periodic data from the leading vehicle, in order to carry on platoon operations. This information allows the distance between vehicles to become extremely small, i.e., the gap distance translated to time can be very low (sub second). Platooning applications may allow the vehicles following to be autonomously driven.

Advanced Driving enables semi-automated or fully-automated driving. Longer inter-vehicle distance is assumed. Each vehicle and/or RSU shares data obtained from its local sensors with vehicles in proximity, thus allowing vehicles to coordinate their trajectories or manoeuvres. In addition, each vehicle shares its driving intention with vehicles in proximity. The benefits of this use case group are safer traveling, collision avoidance, and improved traffic efficiency.

Extended Sensors enables the exchange of raw or processed data gathered through local sensors or live video data among vehicles, Road Site Units, UEs of pedestrians and V2X application servers. The vehicles can enhance the perception of their environment beyond what their own sensors can detect and have a more holistic view of the local situation.

Remote Driving enables a remote driver or a V2X application to operate a remote vehicle for those passengers who cannot drive themselves or a remote vehicle located in dangerous environments. For a case where variation is limited and routes are predictable, such as public transportation, driving based on cloud computing can be used. In addition, access to cloud-based back-end service platform can be considered for this use case group.

### 6.20.2 Requirements

The 3GPP system supports the transport of messages with different performance requirements to support V2X scenarios. The associated requirements are described in eV2X 3GPP TS 22.186 [9].

## 6.21 NG-RAN Sharing

### 6.21.1 Description

The increased density of access nodes needed to meet future performance objectives poses considerable challenges in deployment and acquiring spectrum and antenna locations. RAN sharing is seen as a technical solution to these issues.

### 6.21.2 Requirements

Requirements related to NG-RAN sharing are described in 3GPP TS 22.101 [6], clause 28.2.

## 6.22 Unified access control

### 6.22.1 Description

Depending on operator policies, deployment scenarios, subscriber profiles, and available services, different criterion will be used in determining which access attempt should be allowed or blocked when congestion occurs in the 5G System. These different criteria for access control are associated with Access Identities and Access Categories. The 5G system will provide a single unified access control where operators control access attempts based on these two aspects.

In unified access control, each access attempt is categorized into one or more of the Access Identities and one of the Access Categories. Based on the access control information applicable for the corresponding Access Identity and Access Category of the access attempt, the UE performs a test whether the actual access attempt can be made or not.



The unified access control supports extensibility to allow inclusion of additional standardized Access Identities and Access Categories and supports flexibility to allow operators to define operator-defined Access Categories using their own criterion (e.g. network slicing, application, and application server).

NOTE: Sections 4.1 through 4.4a of TS 22.011 are obsolete and replaced by Section 6.22.2 of this specification. However, when a UE is configured for EAB according to TS 22.011, the UE is also configured for delay tolerant service for 5G system.

## 6.22.2 Requirements

### 6.22.2.1 General

Based on operator's policy, the 5G system shall be able to prevent UEs from accessing the network using relevant barring parameters that vary depending on Access Identity and Access Category. Access Identities are configured at the UE as listed in Table 6.22.2.2-1. Access Categories are defined by the combination of conditions related to UE and the type of access attempt as listed in Table 6.22.2.3-1. One or more Access Identities and only one Access Category are selected and tested for an access attempt.

The 5G network shall be able to broadcast barring control information (i.e. a list of barring parameters associated with an Access Identity and an Access Category) in one or more areas of the RAN.

The UE shall be able to determine whether or not a particular new access attempt is allowed based on barring parameters that the UE receives from the broadcast barring control information and the configuration in the UE.

In the case of multiple core networks sharing the same RAN, the RAN shall be able to apply access control for the different core networks individually.

The unified access control framework shall be applicable both to UEs accessing the 5G CN using E-UTRA and to UEs accessing the 5G CN using NR.

The unified access control framework shall be applicable to UEs in RRC Idle, RRC Inactive, and RRC Connected at the time of initiating a new access attempt (e.g. new session request).

NOTE1: "new session request" in RRC Connected refers to events, e.g. new MMTEL voice or video session, sending of SMS (SMS over IP, or SMS over NAS), new PDU session establishment, existing PDU session modification, and service request to re-establish the user plane for an existing PDU session.

The 5G system shall support means by which the operator can define operator-defined Access Categories to be mutually exclusive.

NOTE 2: Examples of criterion of operator-defined Access Categories are network slicing, application, and application server.

The unified access control framework shall be applicable to inbound roamers to a PLMN.

The serving PLMN should be able to provide the definition of operator-defined Access Categories to the UE.

## 6.22.2.2 Access identities

Table 6.22.2.2-1: Access Identities

Access Identity number	UE configuration
0	UE is not configured with any parameters from this table
1 (NOTE 1)	UE is configured for Multimedia Priority Service (MPS).
2 (NOTE 2)	UE is configured for Mission Critical Service (MCS).
3-10	Reserved for future use
11 (NOTE 3)	Access Class 11 is configured in the UE.
12 (NOTE 3)	Access Class 12 is configured in the UE.
13 (NOTE 3)	Access Class 13 is configured in the UE.
14 (NOTE 3)	Access Class 14 is configured in the UE.
15 (NOTE 3)	Access Class 15 is configured in the UE.
<p>NOTE 1: Access Identity 1 is used by UEs configured for MPS, in the PLMNs where the configuration is valid. The PLMNs where the configuration is valid are HPLMN, PLMNs equivalent to HPLMN, and visited PLMNs of the home country. Access Identity 1 is also valid when the UE is explicitly authorized by the network based on specific configured PLMNs inside and outside the home country.</p> <p>NOTE 2: Access Identity 2 is used by UEs configured for MCS, in the PLMNs where the configuration is valid. The PLMNs where the configuration is valid are HPLMN or PLMNs equivalent to HPLMN and visited PLMNs of the home country. Access Identity 2 is also valid when the UE is explicitly authorized by the network based on specific configured PLMNs inside and outside the home country.</p> <p>NOTE 3: Access Identities 11 and 15 are valid in Home PLMN only if the EHPLMN list is not present or in any EHPLMN. Access Identities 12, 13 and 14 are valid in Home PLMN and visited PLMNs of home country only. For this purpose, the home country is defined as the country of the MCC part of the IMSI.</p>	

Any number of these Access Identities may be barred at any one time.

## 6.22.2.3 Access categories

Table 6.22.2.3-1: Access Categories

Access Category number	Conditions related to UE	Type of access attempt
0	All	MO signalling resulting from paging
1 (NOTE 1)	UE is configured for delay tolerant service and subject to access control for Access Category 1, which is judged based on relation of UE's HPLMN and the selected PLMN.	All except for Emergency
2	All	Emergency
3	All except for the conditions in Access Category 1.	MO signalling on NAS level resulting from other than paging
4	All except for the conditions in Access Category 1.	MMTEL voice (NOTE 3)
5	All except for the conditions in Access Category 1.	MMTEL video
6	All except for the conditions in Access Category 1.	SMS
7	All except for the conditions in Access Category 1.	MO data that do not belong to any other Access Categories (NOTE 4)
8	All except for the conditions in Access Category 1	MO signalling on RRC level resulting from other than paging
9-31		Reserved standardized Access Categories
32-63 (NOTE 2)	All	Based on operator classification
<p>NOTE 1: The barring parameter for Access Category 1 is accompanied with information that define whether Access Category applies to UEs within one of the following categories:</p> <p>a) UEs that are configured for delay tolerant service;</p> <p>b) UEs that are configured for delay tolerant service and are neither in their HPLMN nor in a PLMN that is equivalent to it;</p> <p>c) UEs that are configured for delay tolerant service and are neither in the PLMN listed as most preferred PLMN of the country where the UE is roaming in the operator-defined PLMN selector list on the SIM/USIM, nor in their HPLMN nor in a PLMN that is equivalent to their HPLMN.</p> <p>When a UE is configured for EAB, the UE is also configured for delay tolerant service. In case a UE is configured both for EAB and for EAB override, when upper layer indicates to override Access Category 1, then Access Category 1 is not applicable.</p> <p>NOTE 2: When there are an Access Category based on operator classification and a standardized Access Category to both of which an access attempt can be categorized, and the standardized Access Category is neither 0 nor 2, the UE applies the Access Category based on operator classification. When there are an Access Category based on operator classification and a standardized Access Category to both of which an access attempt can be categorized, and the standardized Access Category is 0 or 2, the UE applies the standardized Access Category.</p> <p>NOTE 3: Includes Real-Time Text (RTT) .</p> <p>NOTE 4: Includes IMS Messaging.</p>		

Access Category 0 shall not be barred, irrespective of Access Identities.

NOTE: The network can control the amount of access attempts relating to Access Category 0 by controlling whether to send paging or not.

## 7 Performance requirements

### 7.1 High data rates and traffic densities

Several scenarios require the support of very high data rates or traffic densities of the 5G system. The scenarios address different service areas: urban and rural areas, office and home, and special deployments (e.g., massive gatherings, broadcast, residential, and high-speed vehicles). The scenarios and their performance requirements can be found in table 7.1-1.

- Urban macro – The general wide-area scenario in urban area
- Rural macro – The general wide-area scenario in rural area
- Indoor hotspot – The scenario for offices and homes, and residential deployments.

- Broadband access in a crowd – The scenario for very dense crowds, for example, at stadiums or concerts. In addition to a very high connection density the users want to share what they see and hear, putting a higher requirement on the uplink than the downlink.
- Dense urban – The scenario for pedestrian users, and users in urban vehicles, for example, in offices, city centres, shopping centres, and residential areas. The users in vehicles can be connected either directly or via an onboard base station to the network.
- Broadcast-like services – The scenario for stationary users, pedestrian users, and users in vehicles, for example, in offices, city centres, shopping centres, residential areas, rural areas and in high speed trains. The passengers in vehicles can be connected either directly or via an onboard base station to the network.
- High-speed train – The scenario for users in trains. The users can be connected either directly or via an onboard base station to the network.
- High-speed vehicle – The scenario for users in road vehicles. The users can be connected either directly or via an onboard base station to the network.
- Airplanes connectivity – The scenario for users in airplanes. The users can be connected either directly or via an onboard base station to the network.

Table 7.1-1 Performance requirements for high data rate and traffic density scenarios.

	Scenario	Experienced data rate (DL)	Experienced data rate (UL)	Area traffic capacity (DL)	Area traffic capacity (UL)	Overall user density	Activity factor	UE speed	Coverage
1	Urban macro	50 Mbps	25 Mbps	100 Gbps/km <sup>2</sup> (note 4)	50 Gbps/km <sup>2</sup> (note 4)	10 000/km <sup>2</sup>	20%	Pedestrians and users in vehicles (up to 120 km/h)	Full network (note 1)
2	Rural macro	50 Mbps	25 Mbps	1 Gbps/km <sup>2</sup> (note 4)	500 Mbps/km <sup>2</sup> (note 4)	100/km <sup>2</sup>	20%	Pedestrians and users in vehicles (up to 120 km/h)	Full network (note 1)
3	Indoor hotspot	1 Gbps	500 Mbps	15 Tbps/km <sup>2</sup>	2 Tbps/km <sup>2</sup>	250 000/km <sup>2</sup>	note 2	Pedestrians	Office and residential (note 2) (note 3)
4	Broadband access in a crowd	25 Mbps	50 Mbps	[3,75] Tbps/km <sup>2</sup>	[7,5] Tbps/km <sup>2</sup>	[500 000]/km <sup>2</sup>	30%	Pedestrians	Confined area
5	Dense urban	300 Mbps	50 Mbps	750 Gbps/km <sup>2</sup> (note 4)	125 Gbps/km <sup>2</sup> (note 4)	25 000/km <sup>2</sup>	10%	Pedestrians and users in vehicles (up to 60 km/h)	Downtown (note 1)
6	Broadcast-like services	Maximum 200 Mbps (per TV channel)	N/A or modest (e.g., 500 kbps per user)	N/A	N/A	[15] TV channels of [20 Mbps] on one carrier	N/A	Stationary users, pedestrians and users in vehicles (up to 500 km/h)	Full network (note 1)
7	High-speed train	50 Mbps	25 Mbps	15 Gbps/train	7,5 Gbps/train	1 000/train	30%	Users in trains (up to 500 km/h)	Along railways (note 1)
8	High-speed vehicle	50 Mbps	25 Mbps	[100] Gbps/km <sup>2</sup>	[50] Gbps/km <sup>2</sup>	4 000/km <sup>2</sup>	50%	Users in vehicles (up to 250 km/h)	Along roads (note 1)
9	Airplanes connectivity	15 Mbps	7,5 Mbps	1,2 Gbps/plane	600 Mbps/plane	400/plane	20%	Users in airplanes (up to 1 000 km/h)	(note 1)

NOTE 1: For users in vehicles, the UE can be connected to the network directly, or via an on-board moving base station.  
NOTE 2: A certain traffic mix is assumed; only some users use services that require the highest data rates [2].  
NOTE 3: For interactive audio and video services, for example, virtual meetings, the required two-way end-to-end latency (UL and DL) is 2-4 ms while the corresponding experienced data rate needs to be up to 8K 3D video [300 Mbps] in uplink and downlink.  
NOTE 4: These values are derived based on overall user density. Detailed information can be found in [10].  
NOTE 5: All the values in this table are targeted values and not strict requirements.

## 7.2 Low latency and high reliability

### 7.2.1 Overview

Several scenarios require the support of very low latency and very high communications service availability. Note that this implies a very high reliability. The overall service latency depends on the delay on the radio interface, transmission within the 5G system, transmission to a server which may be outside the 5G system, and data processing. Some of these factors depend directly on the 5G system itself, whereas for others the impact can be reduced by suitable interconnections between the 5G system and services or servers outside of the 5G system, for example, to allow local hosting of the services.

### 7.2.2 Scenarios and KPIs

Some scenarios requiring very low latency and very high communication service availability are described below:

- Discrete automation – Discrete automation is characterised by high requirements on the communications system regarding reliability and availability. Systems supporting discrete automation are usually deployed in geographically limited areas, access to them may be limited to authorised users, and they may be isolated from networks or network resources used by other cellular customers.
- Process automation – Automation for (reactive) flows, e.g., refineries and water distribution networks. Process automation is characterized by high requirements on the communications system regarding communication service availability. Systems supporting process automation are usually deployed in geographically limited areas, access to them is usually limited to authorised users, and it will usually be served by private networks.
- Automation for electricity distribution (mainly medium and high voltage). Electricity distribution is characterized by high requirements on the communications service availability. In contrast to the above use cases, electricity distribution is deeply immersed into the public space. Since electricity distribution is an essential infrastructure, it will, as a rule, be served by private networks.
- Intelligent transport systems – Automation solutions for the infrastructure supporting street-based traffic. This use case addresses the connection of the road-side infrastructure, e.g., road side units, with other infrastructure, e.g., a traffic guidance system. As is the case for automation electricity, the nodes are deeply immersed into the public space.

The example scenarios and their performance requirements can be found in table 7.2.2-1.

**Table 7.2.2-1 Examples of performance requirements for low-latency and high-reliability scenarios.**

Scenario	Max. allowed end-to-end latency (note 2)	Survival time	Communication service availability (note 3)	Reliability (note 3)	User experienced data rate	Payload size (note 4)	Traffic density (note 5)	Connection density (note 6)	Service area dimension (note 7)
Discrete automation	10 ms	0 ms	99,99%	99,99%	10 Mbps	Small to big	1 Tbps/km <sup>2</sup>	100 000/km <sup>2</sup>	1000 x 1000 x 30 m
Process automation – remote control	60 ms	100 ms	99,9999%	99,999%	1 Mbps up to 100 Mbps	Small to big	100 Gbps/km <sup>2</sup>	1 000/km <sup>2</sup>	300 x 300 x 50 m
Process automation – monitoring	60 ms	100 ms	99,9%	99,9%	1 Mbps	Small	10 Gbps/km <sup>2</sup>	10 000/km <sup>2</sup>	300 x 300 x 50
Electricity distribution – medium voltage	40 ms	25 ms	99,9%	99,9%	10 Mbps	Small to big	10 Gbps/km <sup>2</sup>	1 000/km <sup>2</sup>	100 km along power line
Electricity distribution – high voltage (note 1)	5 ms	10 ms	99,9999%	99,999%	10 Mbps	Small	100 Gbps/km <sup>2</sup>	1 000/km <sup>2</sup> (note 8)	200 km along power line
Intelligent transport systems – infrastructure backhaul	30 ms	100 ms	99,9999%	99,999%	10 Mbps	Small to big	10 Gbps/km <sup>2</sup>	1 000/km <sup>2</sup>	2 km along a road
<p>NOTE 1: Currently realised via wired communication lines.</p> <p>NOTE 2: This is the maximum end-to-end latency allowed for the 5G system to deliver the service in the case the end-to-end latency is completely allocated to the 5G system from the UE to the Interface to Data Network.</p> <p>NOTE 3: Communication service availability relates to the service interfaces, and reliability relates to a given system entity. One or more retransmissions of network layer packets may take place in order to satisfy the reliability requirement.</p> <p>NOTE 4: Small: payload typically <math>\leq 256</math> bytes</p> <p>NOTE 5: Based on the assumption that all connected applications within the service volume require the user experienced data rate.</p> <p>NOTE 6: Under the assumption of 100% 5G penetration.</p> <p>NOTE 7: Estimates of maximum dimensions; the last figure is the vertical dimension.</p> <p>NOTE 8: In dense urban areas.</p> <p>NOTE 9: All the values in this table are example values and not strict requirements. Deployment configurations should be taken into account when considering service offerings that meet the targets.</p>									

To support ultra reliable low latency communication services, the 5G system shall support the transmission over the radio interface of a packet of 32 bytes with a reliability of 99,999% and a user plane latency of 1ms, as described in 3GPP TR 38.913 [18].

The 5G system shall be capable of providing sufficient QoS levels to support low latency and high reliability communication services for:

- "Discrete automation", as described in the table 7.2.2-1, with the maximum delay within the 5G system of 10 ms and 99,99% reliability.
- "Process automation – remote control", as described in the table 7.2.2-1, with the maximum delay within the 5G system of 60 ms and 99,999% reliability.
- "Process automation – monitoring", as described in the table 7.2.2-1, with the maximum delay within the 5G system of 60 ms and 99,9% reliability.
- "Electricity distribution – medium voltage", as described in the table 7.2.2-1, with the maximum delay within the 5G system of 40 ms and 99,9% reliability.
- "Electricity distribution – high voltage", as described in the table 7.2.2-1, with the maximum delay within the 5G system of 5 ms and 99,999% reliability.
- "Intelligent transport systems – infrastructure backhaul", as described in the table 7.2.2-1, with the maximum delay within the 5G system of 30 ms and 99,999% reliability.

### 7.2.3 Other requirements

Audio-visual interaction is characterised by a human being interacting with the environment or people, or controlling a UE, and relying on audio-visual feedback. In the use cases like VR and interactive conversation the latency requirements include the latencies at the application layer (e.g., codecs), which could be specified outside of 3GPP.

To support VR environments with low motion-to-photon capabilities, the 5G system shall support:

- motion-to-photon latency in the range of 7-15ms while maintaining the required user data rate of [250Mbps] and
- motion-to-sound delay of [<20ms].

NOTE: The motion-to-photon latency is defined as the latency between the physical movement of a user's head and the updated picture in the VR headset. The motion-to-sound latency is the latency between the physical movement of a user's head and updated sound waves from a head mounted speaker reaching their ears.

To support interactive task completion during voice conversations the 5G system shall support low-delay speech coding for interactive conversational services (100 ms, one way mouth-to-ear).

## 7.3 High accuracy positioning

### 7.3.1 Description

High accuracy positioning is characterized by ambitious system requirements for positioning accuracy. For example, on the factory floor, it is important to locate moving objects such as forklifts, or parts to be assembled.

### 7.3.2 Requirements

The 5G system shall support the use of 3GPP and non-3GPP technologies to achieve high accuracy positioning.

The corresponding positioning information shall be acquired in a timely fashion, be reliable, and be available (e.g., it is possible to determine the position).



UEs shall be able to share positioning information between each other e.g., to a controller if the location information cannot be processed or used locally.

---

## 8 Security

### 8.1 Description

IoT introduces new UEs with different life cycles, including IoT devices with no user interface (e.g., embedded sensors), long life spans during which an IoT device may change ownership several times (e.g., consumer goods), and which may not be pre-provisioned (e.g., consumer goods). These drive a need for secure mechanisms to dynamically establish or refresh credentials and subscriptions. New access technologies, including licensed and unlicensed, 3GPP and non-3GPP, drive a need for access independent security that is seamlessly available while the IoT device is active. High-end smartphones, UAVs, and factory automation drive a need for protection against theft and fraud. A high level of 5G security is essential for low-latency and high-reliability communication, e.g., in industrial automation, industrial IoT, and the Smart Grid. Expansion into enterprise, vehicular, and public safety markets drive a need for increased end user privacy protection. 5G security addresses all of these new needs while continuing to provide security consistent with prior 3GPP systems.

### 8.2 General

The 5G system shall support a secure mechanism to store cached data.

The 5G system shall support a secure mechanism to access a content caching application.

The 5G system shall support a secure mechanism to access a service or an application in an operator's Service Hosting Environment.

The 5G system shall enable support of an access independent security framework.

The 5G system shall support a mechanism for the operator to authorize subscribers of other PLMNs to receive temporary service (e.g., mission critical services).

The 5G system shall be able to provide temporary service for authorized users without access to their home network (e.g., IOPS, mission critical services).

The 5G system shall allow the operator to authorize a 3<sup>rd</sup> party to create, modify and delete network slices, subject to an agreement between the 3<sup>rd</sup> party and the network operator.

3GPP subscription identifier(s) and long term key(s) shall be stored and processed within a UE using a tamper resistant secure hardware component. This requirement does not apply to non-AKA based subscription credentials used for private networks.

The 5G system shall support a secure mechanism to protect relayed data from being intercepted by a relay UE.

Subject to HPLMN policy as well as its service and operational needs, any USIM able to access EPS instead of a 5G USIM may be used to authenticate a user in a 5G system to access supported services according to the user's subscription .

### 8.3 Authentication

The 5G system shall support an efficient means to authenticate a user to an IoT device (e.g., biometrics).

The 5G system shall be able to support authentication over a non-3GPP access technology using 3GPP credentials.

The 5G system shall support operator controlled alternative authentication methods (i.e., alternative to AKA) with different types of credentials for network access for IoT devices in isolated deployment scenarios (e.g., for industrial automation).

## 8.4 Authorization

The 5G system shall allow the operator to authorize an IoT device to use one or more 5G system features that are restricted to IoT devices.

Based on operator policy, before establishing a direct device connection using a non-3GPP access technology, IoT devices may use 3GPP credentials to determine if they are authorized to engage in direct device connection.

Based on operator policy, the 5G system shall provide a means to verify whether a UE is authorized to use prioritized network access for a specific service.

## 8.5 Identity management

The 5G system shall provide a mechanism for an operator to allow access from a UE using a temporary identifier that hides its subscriber identity.

The HPLMN shall be able to associate a temporary identifier to a UE's subscriber identity.

The 5G system shall be able to protect subscriber identity and other user identifying information from passive attacks.

Subject to regional or national regulatory requirements, the 5G system shall be able to protect subscriber identity and other user identifying information from active attacks.

The 5G system shall be able to allow the equipment identifier to be collected by legitimate entity regardless of UE's user interface, when required.

The 5G system shall be able to support identification of subscriptions independently of identification of equipment.

The 5G system shall support a secure mechanism to collect system information while ensuring end-user and application privacy (e.g., application level information is not to be related to an individual user identity or subscriber identity and UE information is not to be related to an individual subscriber identity).

For a private network using 5G technology, the 5G system shall support network access using identities, credentials, and authentication methods provided and managed by a 3<sup>rd</sup> party and supported by 3GPP.

## 8.6 Regulatory

The 5G system shall support regional or national regulatory requirements for all supported access networks.

The 5G system shall support Lawful Intercept subject to regional or national regulatory requirements.

## 8.7 Fraud protection

Subject to regional or national regulatory requirements, the 5G system shall support a secure mechanism for allowing an authorized entity to disable from normal operation of a UE reported as stolen.

Subject to regional or national regulatory requirements, the 5G system shall support a secure mechanism for allowing an authorized entity to re-enable a recovered stolen UE to normal operation.

The 5G system shall be able to protect user location information from passive attacks.

Subject to regional or national regulatory requirements, the 5G system shall be able to protect user location information from active attacks.

## 8.8 Resource efficiency

The 5G system shall minimize security signalling overhead without compromising the security level of the 3GPP system.

The 5G system shall support an efficient secure mechanism to transmit the same data (e.g., service provisioning multiple sensors) to multiple UEs.

---

## 9 Charging aspects

The following set of requirements complement the requirements listed in 3GPP TS 22.115 [11]. The requirements apply for both home and roaming cases.

The 5G core network shall support collection of all charging information on either a network or a slice basis.

The 5G core network shall support collection of charging information for alternative authentication mechanisms.

The 5G core network shall support collection of charging information associated with each serving MNO when multi-network connectivity is used under the control of the home operator.

The 5G core network shall support charging for services/applications in an operator's Service Hosting Environment.

The 5G core network shall support charging for content delivered from a content caching application.

The 5G core network shall support collection of charging information based on the access type (e.g., 3GPP, non-3GPP).

The 5G core network shall support collection of charging information based on the slice that the UE accesses.

The 5G core network shall support collection of charging information based on the capacity and performance metrics.

## Annex A (informative): Latency needs to support example use cases from vertical industries

The latency values required to support the potential opportunities in the use cases on vertical industries are summarised in table A.1-1 based on the NGMN white paper on vertical industries [4]. Latency in this table refers to the end-to-end latency at the application layer as defined in clause 3.

**Table A.1-1 Latency needs to support example use cases from vertical industries.**

Services/ Use cases	Automotive use cases	Transport, logistics, IoT use cases	Health and wellness, smart cities use cases	Media and entertainment
Description	Expand detectable range beyond on board sensor capability by sharing views or detected objects among traffic participants, coordinate trajectories among vehicles, sharing coarse driving intention, real-time remote operation of vehicles	Real-time sensing, reporting, feedback, control, remote, asset tracking, monitoring; context-aware services, recommendations at shopping mall, airport	Live video feed (4K, 8K, 3D for remote healthcare (consultation, monitoring) and assisted surgery, real-time commands to control medical devices for treatment (e.g., medication, surgery); remote monitoring, surveillance and guidance for citizens and law enforcement officers.	Media production services based on aggregation of various media feeds at servers; real-time peer-to-peer or server-client sharing of data (object information) for collaborative gaming, live streaming at live events
Latency	<p>For mid/long-term environment modelling (dynamic high-definition digital map update): Not time-critical (100 ms end-to-end)</p> <p>For short term environment modelling (sensor sharing): &lt;20 ms end-to-end</p> <p>For cooperation (coordinated control):</p> <ul style="list-style-type: none"> <li>- &lt;3 ms end-to-end for platooning ,</li> <li>- &lt;10 ms end-to-end for cooperative manoeuvres .</li> <li>- &lt;100 ms end-to-end for coarse driving intention</li> </ul> <p>For remote vehicle operation: 10-30 ms end-to-end</p>	<p>For massive connectivity for time-critical sensing and feedback: &lt;30 ms end-to-end.</p> <p>For remote drone operation and cooperative farm machinery: 10-30 ms end-to-end</p> <p>Real-time control for discrete automation: ≤1 ms end-to-end</p>	<p>For real-time video/telepresence/augmented reality for remote healthcare and assisted surgery, for monitoring and guidance (smart cities): 100 ms end-to-end</p> <p>Real-time command and control for remote medication and surgery: 10-100 ms end-to-end</p> <p>For smart grid:</p> <ul style="list-style-type: none"> <li>- &lt;5 ms end-to-end for transmission/grid backbone,</li> <li>- &lt;50 ms end-to-end for distribution/grid backhaul,</li> </ul> <p>Time-critical sensing and feedback for smart cities: 30 ms end-to-end</p>	<p>For live streaming in crowded areas, services for media production, augmented reality for collaborative gaming etc.: 20 ms end-to-end</p>

## Annex B (informative): Positioning accuracy needs to support example use cases from vertical industries

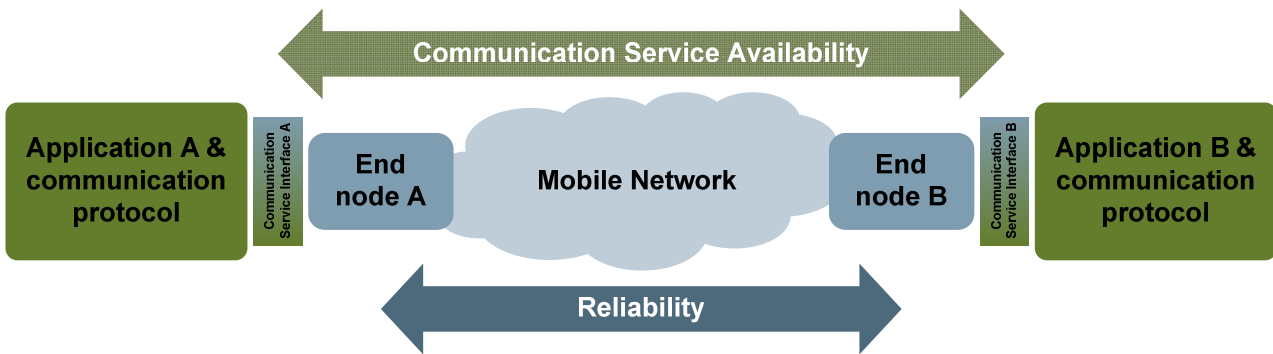
The positioning accuracy values required to support the potential opportunities in the use cases on vertical industries are summarised in table B.1-1 based on the NGMN white paper on vertical industries [4].

**Table B.1-1 Positioning accuracy needs to support example use cases from vertical industries.**

Services/Use cases	Automotive use cases	Transport, logistics, IoT use cases	Health and wellness, smart cities use cases	Media and entertainment
Description	Uploading of sensed data to servers for dynamic digital map update; expand detectable range beyond on board sensor capability by sharing views or detected objects, coordinate trajectories among vehicles, sharing coarse driving intention, real-time remote operation of vehicles.	Sensing, reporting, feedback, control, related to predictive maintenance, asset tracking, monitoring; context-aware services, recommendations at shopping mall, airport, etc.	Remote healthcare and assisted surgery; real-time commands to control medical devices; connectivity for sensors, wearable devices and other medical devices; remote monitoring, surveillance and guidance for citizens and law enforcement officers.	Media production services based on aggregation of various media feeds at servers; real-time peer-to-peer or server-client sharing of data (object information) for collaborative gaming
Positioning accuracy	<p>For mid/long-term environment modelling (dynamic high-definition digital map update):</p> <ul style="list-style-type: none"> <li>- &lt;30 cm relative to other map objects</li> </ul> <p>For short term environment modelling (sensor sharing), for cooperation (coordinated control), remote vehicle operation:</p> <ul style="list-style-type: none"> <li>- &lt;30 cm (can be &lt;10 cm in certain cases, e.g., parking, pedestrian);</li> <li>- &lt;1 m for sharing coarse driving intention (coordinated control), e.g., changing lanes, merging at highway.</li> </ul> <p>Indoor positioning also needed, e.g., tunnels, parking.</p>	<p>For massive connectivity for non-time-critical sensing and time-critical sensing and feedback:</p> <ul style="list-style-type: none"> <li>- 30 cm – 1 m sufficient for many applications</li> <li>- &lt;30 cm for applications that require exact localization (e.g., tracking specific objects in a warehouse).</li> </ul> <p>Indoor positioning also needed, e.g., warehouse, airport, train station.</p>	<p>For remote healthcare and assisted surgery; for real-time monitoring for smart cities:</p> <ul style="list-style-type: none"> <li>1-10 m, e.g., remote assisted surgery, wellness monitoring; remote monitoring (surveillance) and guidance for citizens.</li> </ul> <p>Indoor positioning also needed, e.g., house, medical centre</p>	<p>For media production and collaborative gaming:</p> <p>30 cm – 1 m, e.g., location data that could help media production process, create new gaming applications utilising location information</p> <p>Indoor positioning may also be useful</p>

# Annex C (informative): Relation of communication service availability and reliability

Communication service availability and reliability are well known terms used not only within 3GPP but also in vertical industries (IEC 61907 [12]). Communication service availability addresses the availability of a communication service, in vertical applications usually in accordance to IEC 61907 [12]. Reliability addresses the availability of the communication network. The relation of both terms is depicted in figure C-1.

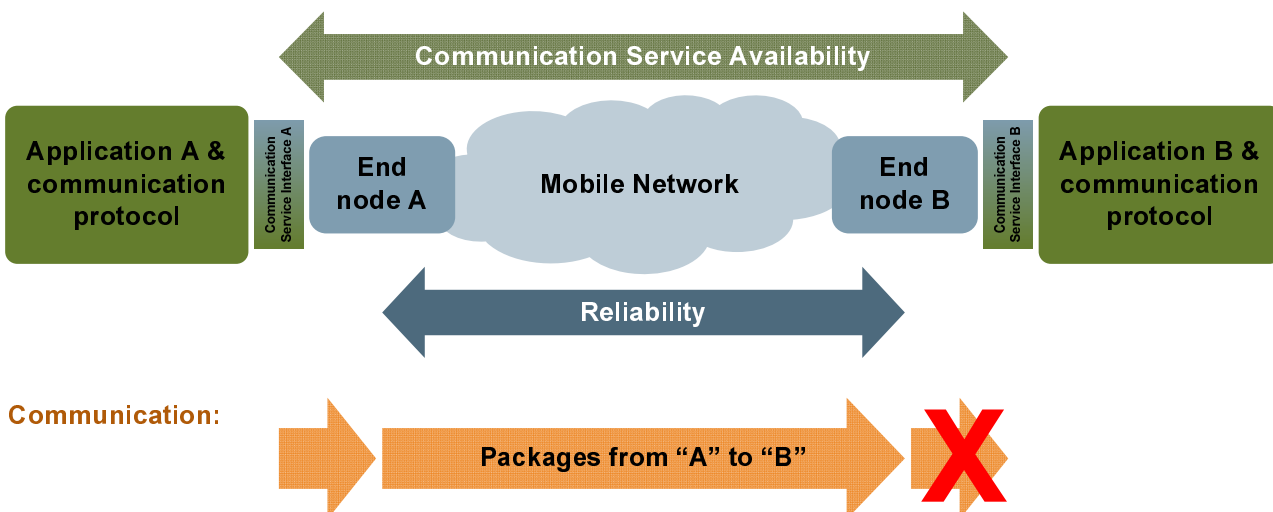


**Figure C-1: Illustration of the concepts communication service availability and reliability.**

As depicted, reliability covers the communication-related aspects between two nodes (here: end nodes), while communication service availability addresses the communication-related aspects between two communication service interfaces. In other words, the "gap" between both concepts is the communication interface. This might seem to be a small difference, but this difference can lead to situations, where reliability and communication service availability have different values.

**Example: traffic gets "stuck"**

The related scenario is depicted in figure C-2.



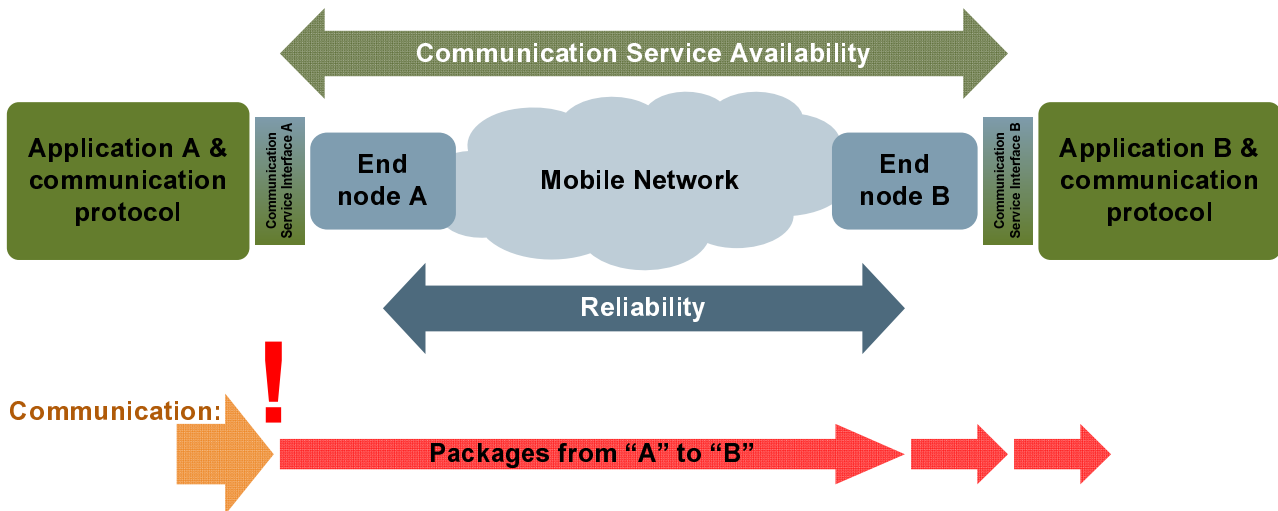
**Figure C-2: Example in which communication service availability and reliability have different values. Packets are reliably transmitted from the communication service interface A to end node B, but they are not exposed at the communication service interface B.**

This scenario addresses unicast communication from application A to B. The packets are handed over from the application to the communication network at the communication service interface A, and the packets are then transmitted to the end node B. In this example, the packets received by end node B are not exposed at the communication service interface B. So, even if all packets that are handed over to end node A are successfully delivered to end node B within the time constraint required by the targeted service, i.e. even if the reliability is 100%, the

communication service availability is 0% since no packets arrive at the "end", i.e. the communication service interface B.

### Example: less capacity than agreed

The related scenario is depicted in figure C-3.



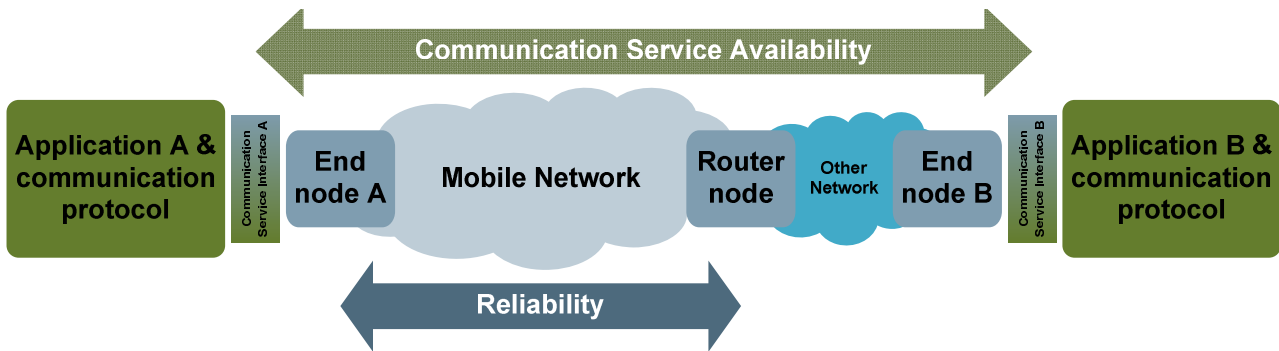
**Figure C-3: Example in which communication service availability and reliability have different values. Only half of the packets handed over to the end node A are actually transmitted to end node B and handed over to application B at the communication service interface B.**

This scenario describes unicast communication of evenly interspersed packets from application A to B. The packets are handed over from the application to the communication network at the communication service interface A, and the packets are then transmitted to the end node B. However, only every second packet is actually successfully handed over to end node A and then transmitted to end node B. Thus, only half of the packets arrive at application B. Note though that the reliability of the mobile network is 100%, since all packets transmitted by end node A are delivered to end node B within the time constraint required by the targeted service. However, depending on the agreed QoS, the communication service availability can be of the same value as the reliability or much lower. For instance, if the agreed survival time is larger than the time between three packets at the communication service interface A, communication service availability and reliability have the same value. However, if—due to the loss of packets at the communication service interface A—the effective bandwidth between application A and B is lower than the agreed value, the communication service availability is 0%.

Note that the shortest time interval over which the communication service availability should be calculated is the sum of end-to-end latency, jitter, and survival time.

### Example: heterogeneous network

The related scenario is depicted in figure C-4.



**Figure C-4: Example in which communication service availability and reliability have different values. Packets are delivered over a daisy chain of a mobile network and another network (e.g., IEEE 802.11n based). Reliability is evaluated for the mobile network only, while communication service availability depends on the performance of both networks.**

This scenario is not in scope for this specification, since it pertains to the particular deployment of a mobile network, but we discuss it nonetheless, as this example provides valuable insight for network operators.

This scenario describes unicast communication from application A to B. The packets are handed over from the application to the communication network at the communication service interface A, and the packets are then transmitted to the end node B. In this example, the packets are transmitted over two daisy-chained networks—one mobile network according to 3GPP specifications, and another network, e.g. a network based on IEEE 802.11n. As in the other examples above, communication service availability is measured between the two communication service interfaces, but the reliability is only measured between end node A and the router node. This has implications for, e.g., the maximum communication latency allowed for each network. In case the agreed end-to-end latency between the service interfaces is, for instance, 100 ms, and the 802.11n network has a latency of 30 ms, the maximum allowable latency for packages in the mobile network is 70 ms (NOTE). So, if the latency in the mobile network exceeds 70 ms, the communication service availability is 0%, despite the agreed QoS stipulating a larger end-to-end latency, i.e. 100 ms.

NOTE: The transit time through the router node is not considered here. It is assumed to be very small and much less than 100 ms.



---

## Annex D (informative): Low-latency and high-reliability communication use cases

### D.1 Discrete automation – motion control

Industrial factory automation requires communications for closed-loop control applications. Examples for such applications are motion control of robots, machine tools, as well as packaging and printing machines. All other discrete-automation applications are addressed in Annex D.2.

The corresponding industrial communication solutions are referred to as fieldbuses. The pertinent standard suite is IEC 61158. Note that clock synchronization is an integral part of fieldbuses used for motion control.

In motion control applications, a controller interacts with a large number of sensors and actuators (e.g., up to 100), which are integrated in a manufacturing unit. The resulting sensor/actuator density is often very high (up to 1 m<sup>-3</sup>). Many such manufacturing units may have to be supported within close proximity within a factory (e.g., up to 100 in automobile assembly line production).

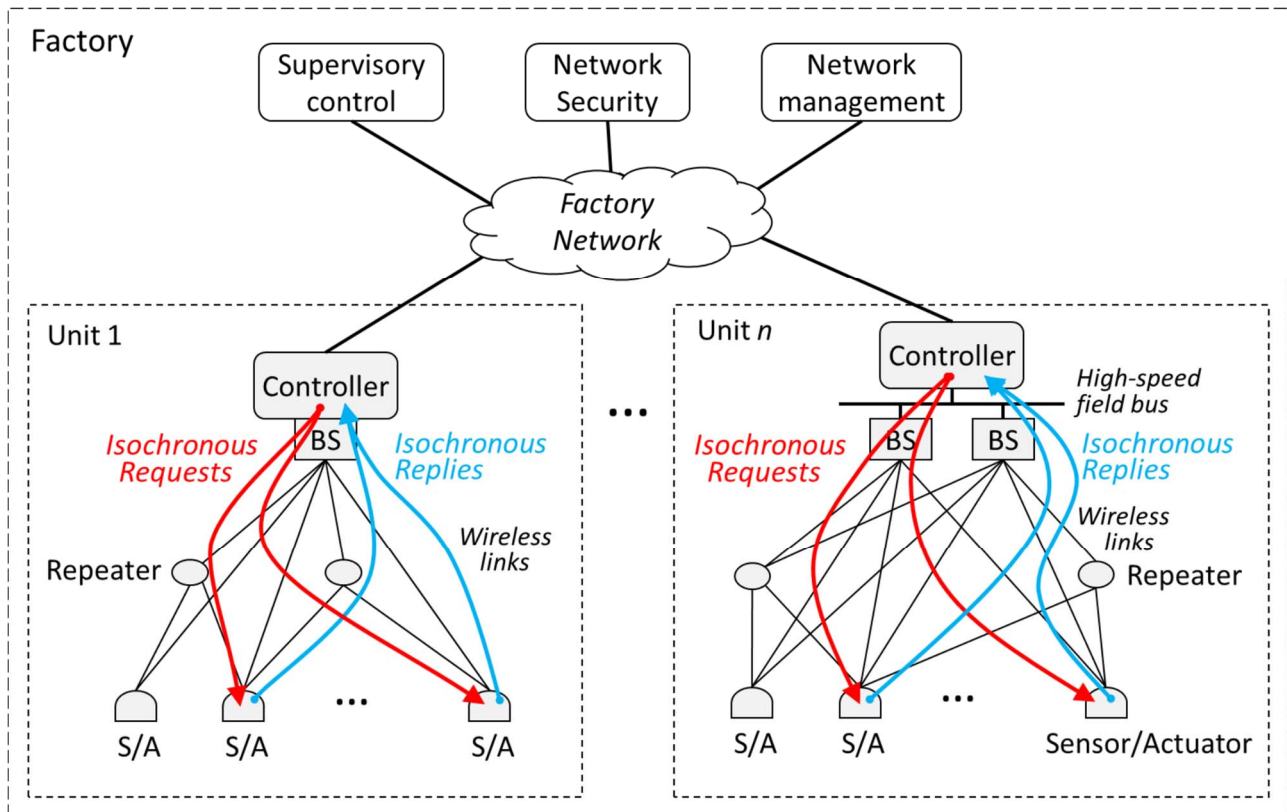
In a closed-loop control application, the controller periodically submits instructions to a set of sensor/actuator devices, which return a response within a cycle time. The messages, referred to as telegrams, are typically small ( $\leq 56$  bytes). The cycle time can be as low as 2 ms, setting stringent end-to-end latency constraints on telegram forwarding (1 ms). Additional constraints on isochronous telegram delivery add tight constraints on jitter (1  $\mu$ s), and the communication service has also to be highly available (99,9999%).

Multi-robot cooperation is a case in closed-loop control where a group of robots collaborate to conduct an action, for example, symmetrical welding of a car body to minimize deformation. This requires isochronous operation between all robots. For multi-robot cooperation, the jitter (1 $\mu$ s) is among the command messages of a control event to the group robots.

To meet the stringent requirements of closed-loop factory automation, the following considerations may have to be taken:

- Limitation to short-range communications.
- Use of direct device connection between the controller and actuators.
- Allocation of licensed spectrum for closed-loop control operations. Licensed spectrum may further be used as a complement to unlicensed spectrum, e.g., to enhance reliability.
- Reservation of dedicated air-interface resources for each link.
- Combination of multiple diversity techniques to approach the high reliability target within stringent end-to-end latency constraints such as frequency, antenna, and various forms of spatial diversity, e.g., via relaying
- Utilizing OTA time synchronization to satisfy jitter constraints for isochronous operation.

A typical industrial closed-loop motion control application is based on individual control events. Each closed-loop control event consists of a downlink transaction followed by a synchronous uplink transaction, both of which are executed within a cycle time. Control events within a manufacturing unit may have to occur isochronously. Factory automation considers application-layer transaction cycles between controller devices and sensor/actuator devices. Each transaction cycle consists of (1) a command sent by the controller to the sensor/actuator (downlink), (2) application-layer processing on the sensor/actuator device, and (3) a subsequent response by the sensor/actuator to the controller (uplink). Cycle time includes the entire transaction from the transmission of a command by the controller to the reception of a response by the controller. It includes all lower layer processes and latencies on the air interface as well the application-layer processing time on the sensor/actuator.



**Figure D.1-1: Communication path for isochronous control cycles within factory units. Step 1 (red): controller requests sensor data (or an actuator to conduct actuation) from the sensor/actuator (S/A). Step 2 (blue): sensor sends measurement information (or acknowledges actuation) to controller.**

Figure D.1-1 depicts how communication may occur in factory automation. In this use case, communication is confined to local controller-to-sensor/actuator interaction within each manufacturing unit. Repeaters may provide spatial diversity to enhance reliability.

### D.1.1 Service area and connection density

The maximum service volume in motion control is currently set by hoisting solutions, i.e. cranes, and by the manipulation of large machine components, e.g. propeller blades of wind-energy generators. Cranes can be rather wide and quite high above the shop floor, even within a factory hall. In addition, they typically travel along an entire factory hall.

An approximate dimension of the service area is 100 x 100 x 30 m (see table 7.2.2-1).

Note that production cells are commonly much smaller (< 10 x 10 x 3 m). There are typically about 10 motion-control connections in a production cell, which results in a connection density of up to  $10^5 \text{ km}^{-2}$ .

### D.1.2 Security

Network access and authorization in an industrial factory deployment is typically provided and managed by the factory owner with its ID management, authentication, confidentiality and integrity.

Note that motion control telegrams usually are not encrypted due to stringent cycle time requirements.

A comprehensive security framework for factories has been described in IEC 62443.

## D.2 Discrete automation

Discrete automation encompasses all types of production that result in discrete products: cars, chocolate bars, etc. Automation that addresses the control of flows and chemical reactions is referred to as process automation (see clause

D.3). Discrete automation requires communications for supervisory and open-loop control applications, as well as process monitoring and tracking operations inside an industrial plant. In these applications, a large number of sensors distributed over the plant forward measurement data to process controllers on a periodic or event-driven base. Traditionally, wireline field bus technologies have been used to interconnect sensors and control equipment. Due to the sizable extension of a plant (up to 10 km<sup>2</sup>), the large number of sensors, rotary joints, and the high deployment complexity of wired infrastructure, wireless solutions have made inroads into industrial process automation.

This use case requires support of a large number of sensor devices per plant as well as high communication service availability (99,99%). Furthermore, power consumption is relevant since some sensor devices are battery-powered with a targeted battery lifetime of several years while providing measurement updates every few seconds. Range also becomes a critical factor due to the low transmit power levels of the sensors, the large size of the plant and the high reliability requirements on transport. End-to-end latency requirements typically range between 10 ms and 1 s. User experienced data rates can be rather low since each transaction typically comprises less than 256 bytes. However, there has been a shift from field busses featuring somewhat modest data rates (~ 2 Mbps) to those with higher data rates (~ 10 Mbps) due to the increasing number of distributed applications and also "data-hungry" applications. An example for the latter is the visual control of production processes. For this application, the user experienced data rate is typically around 10 Mbps and the transmitted packets are much larger.

The existing wireless technologies rely on unlicensed bands. Communication is therefore vulnerable to interference caused by other technologies (e.g., WLAN). With the stringent requirements on transport reliability, such interference is detrimental to proper operation.

The use of licensed spectrum could overcome the vulnerability to same-band interference and therefore enable higher reliability. Utilization of licensed spectrum can be confined to those events where high interference bursts in unlicensed bands jeopardizes reliability and end-to-end latency constraints. This allows sharing the licensed spectrum between process automation and conventional mobile services.

Multi-hop topologies can provide range extension and mesh topologies can increase reliability through path redundancy. Clock synchronization will be highly beneficial since it enables more power-efficient sensor operation and mesh forwarding.

The corresponding industrial communication solutions are referred to as fieldbuses. The related standard suite is IEC 61158.

A typical discrete automation application supports downstream and upstream data flows between process controllers and sensors/actuators. The communication consists of individual transactions. The process controller resides in the plant network. This network interconnects via base stations to the wireless (mesh-) network which hosts the sensor/actuator devices. Typically, each transaction uses less than 256 bytes. An example of a controller-initiated transaction service flow is:

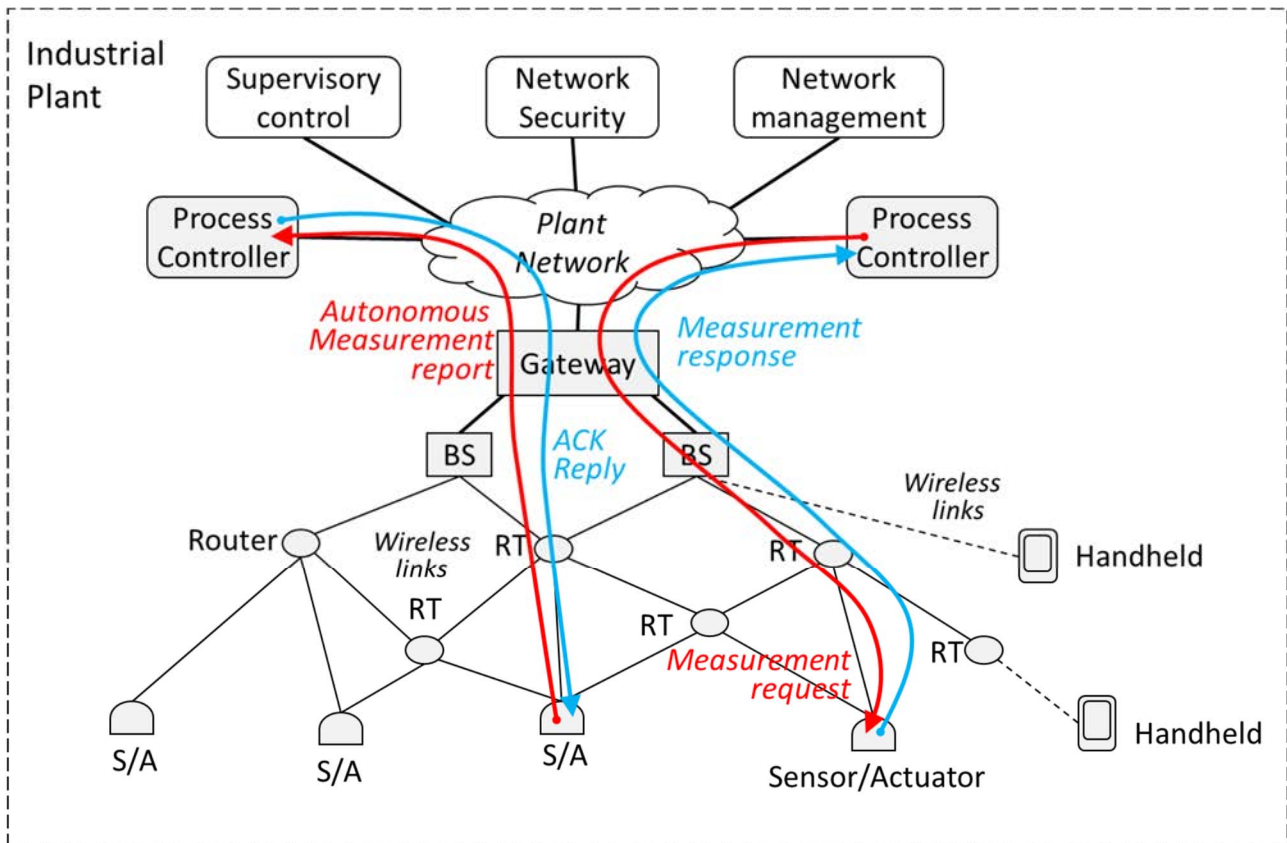
1. The process controller requests sensor data (or an actuator to conduct actuation). The request is forwarded via the plant network and the wireless network to the sensors/actuators.
2. The sensors/actuators process the request and send a replay in upstream direction to the controller. This reply may contain an acknowledgement or a measurement reading.

An example of a sensor/actuator device initiated transaction service flow:

1. The sensor sends a measurement reading to the process controller. The request is forwarded via the wireless (mesh) network and the plant network.
2. The process controller may send an acknowledgement in opposite direction.

For both controller- and sensor/actuator-initiated service flows, upstream and downstream transactions may occur asynchronously.

Figure D.2-1 depicts how communication may occur in discrete automation. In this use case, communication runs between process controller and sensor/actuator device via the plant network and the wireless (mesh) network. The wireless (mesh) network may also support access for handheld devices for supervisory control or process monitoring purposes.



**Figure D.2-1: Communication path for service flows between process controllers and sensor/actuator devices. Left-hand side: Step 1 (red) – the sensor/actuator (S/A) sends measurement report autonomously, Step 2 (blue) controller acknowledges. Right-hand side: Step 1 (red) - controller requests sensor data (or an actuator to conduct actuation), Step 2 (blue): S/A sends measurement information (or acknowledges actuation) to controller.**

### D.2.1 Service area and connection density

Factory halls can be rather large and even quite high. We set the upper limit at 1000 x 1000 x 30 m. Note that the connection density might vary quite a bit throughout factory halls. It is, for instance much higher along an assembly line than in an overflow buffer. Also, the density usually increases towards the factory floor. Typically, there is at least one connection per 10 m<sup>2</sup>, which results in a connection density of up to 10<sup>5</sup> km<sup>-2</sup>.

### D.2.2 Security

Network access and authorization in an industrial factory deployment is typically provided and managed by the factory owner with its ID management, authentication, confidentiality and integrity.

A comprehensive security framework for factories has been described in IEC 62443.

## D.3 Process automation

Process automation has much in common with discrete automation (see Annex D.2). Instead of discrete products (cars, chocolate bars, etc.), process automation addresses the production of bulk products such as petrol and reactive gases. In contrast to discrete automation, motion control is of limited or no importance. Typical end-to-end latencies are 50 ms. User experienced data rates, communication service availability, and connection density vary noticeably between applications. Below we describe one emerging use case (remote control via mobile computational units, see Annex D.3.1) and a contemporary use case (monitoring, see Annex D.3.2).

Note that discrete automation fieldbusses (see Annex D.2) are also used in process automation.

### D.3.1 Remote control

Some of the interactions within a plant are conducted by automated control applications similar to those described in Annex D.2. Here too, sensor output is requested in a cyclic fashion, and actuator commands are sent via the communication network between a controller and the actuator. Furthermore, there is an emerging need for the control of the plant from personnel on location. Typically, monitoring and managing of distributed control systems takes place in a dedicated control room.

Staff deployment to the plant itself occurs, for instance, during construction and commissioning of a plant and in the start-up phase of the processes. In this scenario, the locally deployed staff taps into the same real-time data as provided to the control room. These remote applications require high data rates (~ 100 Mps) since the staff on location needs to view inaccessible locations with high definition (e.g. emergency valves) and since their colleagues in the control room benefit from high-definition footage from body cameras (HD or even 4K).

For both kinds of applications, a very high communication service availability is needed (99,9999%). Typically, only a few control loops are fully automated and only handful of control personnel is deployed on location, so that the connection density is rather modest (~ 1000 km<sup>-2</sup>).

### D.3.2 Monitoring

The monitoring of states, e.g. the level of the liquid of process reactors, is a paramount task. Due to the ever changing states, measurement data is either pulled or pushed from the sensors in a cyclic manner. Some sensors are more conveniently accessed via wireless links, and monitoring via handheld terminals of these sensors during, e.g., maintenance is also on the rise. This kind of application entails rather modest user experienced data rates (~ 1 Mps), and since this kind of data is "only" indicator for, e.g., what process should be stopped in order to avoid an overflow, and not for automated control loops, the requirement on communication service availability is comparably low (99,9%). Note that emergency valves and such typically are operated locally and do not rely on communication networks. However, many sensors are deployed in chemical plants etc., so that connection density can readily reach 10 000 km<sup>-2</sup>.

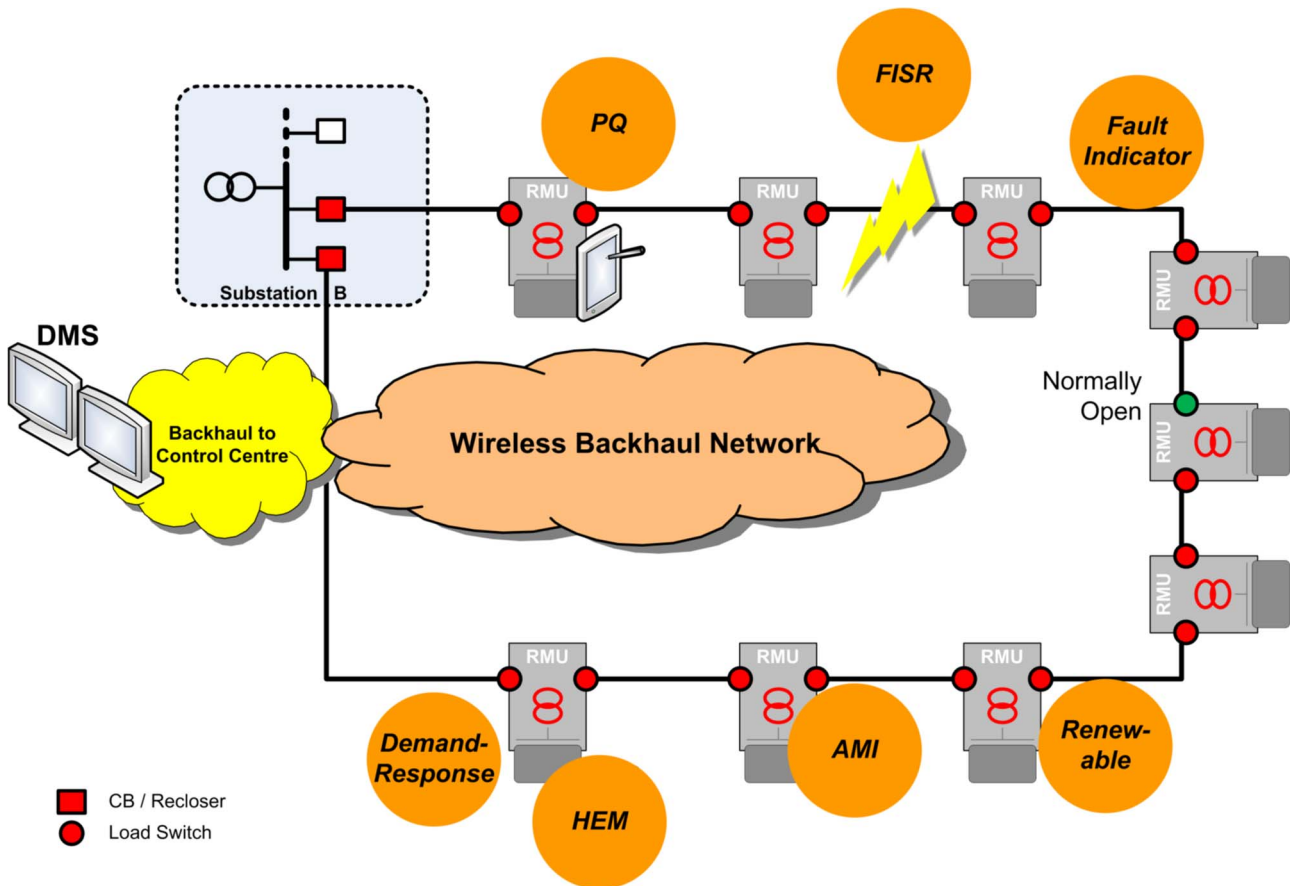
### D.3.3 Service area

While, for instance, chemical plants and refineries readily can span over several square kilometres, the dedicated control rooms are typically only responsible for a subset of that area. Such subsets are often referred to as plant, and their typical size is 300 x 300 x 50 m.

## D.4 Electricity distribution

### D.4.1 Medium voltage

An energy-automation domain that hitherto has only seen very little application of mobile-network technology is the backhaul network, i.e. the part of the distribution grid between primary substations (high voltage → medium voltage) and secondary substations (medium voltage → low voltage). In figure D.4.1-1 we depict a medium-voltage ring together with energy-automation use cases that either are already deployed or are anticipated within the near future.



**Figure D.4.1-1: Functional, topological sketch of a medium-voltage ring. AMI: advanced metering infrastructure; CB: circuit breaker; DMS: distribution management system; FISIR: fault isolation and system restoration; HEM: home energy manager; PQ: power quality; RMU: ring main unit.**

The primary substation and the secondary substations are supervised and controlled by a distribution-management system (DMS). If energy-automation devices in the medium-voltage power line ring need to communicate with each other and/or the DMS, a wireless backhaul network needs to be present (orange "cloud" in Figure D.4.1-1).

A majority of applications in electricity distribution adhere to the communication standard IEC 60870-5-104, however, its modern "cousin", IEC 61850, experiences rapidly increasing popularity. The communication requirements for IEC 61850 applications can be found in IEC 61850-90-4. Communication in wide-area networks is described in IEC 61850-90-12.

Usually, power line ring structures have to be open in order to avoid a power-imbalance in the ring (green dot in the Figure). Examples for energy-automation that already is implemented in medium-voltage grids (albeit in low numbers) are power-quality measurements and the measurement of secondary-substation parameters (temperature, power load, etc.) [13]. Other use cases are demand response and the control of distributed, renewable energy resources (e.g., photovoltaics).

A use case that could also be realised in the future is fault isolation and system restoration (FISIR). FISIR automates the management of faults in the distribution grid. It supports the localization of the fault, the isolation of the fault, and the restoration of the energy delivery. For this kind of automation the pertinent sensors and actuators broadcast telegrams about their states (e.g. "emergency closer idle") and about actions (e.g. "activating closer") into the backhaul network. This information is used by the ring main units (RMUs) as input for their decision algorithms. We illustrate this use of automation telegrams for an automated FISIR event in figure D.4.1-1. Let us assume the distribution lines are cut at the location indicated by the bolt of lightning in the Figure. In that case, the RMUs between the bolt and the green load switch (open) will be without power. The RMUs next to the "bolt" automatically open their load switches after having sensed the loss of electric connectivity between them. They both broadcast these actions into the backhaul network. Typically these telegrams are repeated many times while the time between adjacent telegrams increases exponentially. This communication patterns leads to sudden, distributed surges in the consumed communication bandwidth. After the RMUs next to the "bolt" have open their switch, the RMU that so far has kept the power line ring open (green dot in figure D.4.1-1) close the load switch. This event too is broadcasted into the backhaul network. The typical maximum end-to-end latency for this kind of broadcast is 25 ms with a peak experienced data rate of 10 Mbps. Note that the

distribution system typically subscribes to telegrams from all RMUs in order to keep abreast with the happenings in the distribution grid.

Automatic fault handling in the distribution grid shortens outage time and offloads the operators in the distribution control centre for more complicated situations. Therefore automated FISR may help to improve performance indexes like System Average Interruption Duration Index and System Average Interruption Frequency Index.

Automation telegrams are typically distributed via domain multicast. As explained above, the related communication pattern can be "bursty", i.e. only few automation telegrams are sent when the distribution network operates nominally (~ 1 kbps), but, for instance, a disruption in the power line triggers a short-lived avalanche of telegrams from related applications in the ring ( $\geq 1$  Mbps).

#### D.4.1.1 Service area and connection density

Service coverage is only required along the medium-voltage line. In Europe, the line often forms a loop (see figure D.4.1-1), while deployments in other countries, e.g. the USA, tend to extend linearly over distances up to ~ 100 km. The vertical dimension of the poles in a medium voltages line is typically less than 40 m. Especially in urban areas, the number of ring main units can be rather large ( $> 10 \text{ km}^2$ ), and the number of connections to each ring main unit is expected to increase swiftly once economical, suitable wireless connectivity becomes available. We predict connection densities of up to  $1.000 \text{ km}^2$ .

#### D.4.1.2 Security

Due to its central role in virtually every country on earth, electricity distribution is heavily regulated. Security assessment for, e.g., deployments in North America, need to adhere to the NERC CIP suite [14]. Technical implementations are described in standard suites such as IEC 62351.

### D.4.2 Energy distribution – high voltage

In order to avoid region- or even nation-wide power outages, wide-area power system protection is on the rise. "When a major power system disturbance occurs, protection and control actions are required to stop the power system degradation, restore the system to a normal state and minimize the impact of the disturbance. The present control actions are not designed for a fast-developing disturbance and may be too slow. Local protection systems are not able to consider the overall system, which may be affected by the disturbance. Wide area disturbance protection is a concept of using system-wide information and sending selected local information to a remote location to counteract propagation of the major disturbances in the power system." [15]. Protection actions include, "among others, changes in demand (e.g. load shedding), changes in generation or system configuration to maintain system stability or integrity and specific actions to maintain or restore acceptable voltage levels." [16]. One specific application is phasor measurement for the stabilisation of the alternating-current phase in a transport network. For this, the voltage phase is measured locally and sent to a remote control centre. There, this information is processed and automated actions are triggered. One can be the submission of telegrams to power plants, instructing them to either accelerate or deaccelerate their power generators in order to keep the voltage phase in the transport network stable. A comprehensive overview of this topic can be found elsewhere in the literature [17].

This kind of automation requires very low end-to-end latencies (5 ms) [16] and—due to its critical importance for the operation of society—a very high communication service availability (99,9999%).

#### D.4.2.1 Service area and connection density

As is the case for medium-voltage distribution networks (see Annex D.4.1), connectivity in high-voltage automation has to be provided mainly along the power line. The distances to be covered can be substantial (hundreds of kilometres in rural settings), while shorter links are prevalent in metropolitan areas. The number of connections in wide-area power system protection is rather low; but—due to the sliver-shaped service area—the connection density can be rather high ( $1000 \text{ km}^2$ ).

#### D.4.2.2 Security

Due to its central role in virtually every country on earth, electricity distribution is heavily regulated. Security assessment for, e.g., deployments in North America, need to adhere to the NERC CIP suite [14]. Technical implementations are described in standard suites such as IEC 62351.

## D.5 Intelligent transport systems – infrastructure backhaul

Intelligent Transport Systems (ITS) embrace a wide variety of communications-related applications that are intended to increase travel safety, minimize environmental impact, improve traffic management, and maximize the benefits of transportation to both commercial users and the general public. Over recent years, the emphasis in intelligent vehicle research has turned to co-operative systems in which the traffic participants (vehicles, bicycles, pedestrians, etc.) communicate with each other and/or with the infrastructure.

Cooperative ITS is the term used to describe technology that allows vehicles to become connected to each other, and to the infrastructure and other parts of the transport network. In addition to what drivers can immediately see around them, and what vehicle sensors can detect, all parts of the transport system will increasingly be able to share information to improve decision making. Thus, this technology can improve road safety through avoiding collisions, but also assist in reducing congestion and improving traffic flows, and reduce environmental impacts. Once the basic technology is in place as a platform, an array of applications can be developed.

Cooperative ITS can greatly increase the quality and reliability of information available about vehicles, their location and the road environment. In the future, cars will know the location of road works and the switching phases of traffic lights ahead, and they will be able to react accordingly. This will make for safer and more convenient travel and faster arrival at the destination. On-board driver assistance, coupled with two-way communication between vehicles and between cars and road infrastructure, can help drivers to better control their vehicle and hence have positive effects in terms of safety and traffic efficiency. An important role in this plays the so-called road-side units (RSUs). Vehicles can also function as sensors reporting weather and road conditions including incidents. In this way cars can be used as information sources for high-quality information services.

RSUs are connected to the traffic control centre for management and control purposes. They broadcast e.g. traffic light information (RSU → vehicle) and traffic information from the traffic-control centre (TCC) via the RSU to the vehicles (TCC → RSU → vehicle); and collect vehicle probe data for the traffic control centre (vehicle → RSU → TCC). For reliable distribution of data, low-latency and high-capacity connections between RSUs (e.g. traffic lights, traffic signs, etc.) and the TCC is required. This type of application comes with rather tight end-to-end latency requirements for the communication service between RSU and TCC (10 ms) since relayed data needs to be processed in the TCC and, if needed, the results need to be forwarded to neighbouring RSUs. Also, the availability of the communication service has to be very high (99,9999%) in order to compete with existing wired technology and in order to justify the costly deployment and maintenance of RSUs. Furthermore, due to considerably large aggregation areas (see Annex D.5.1), considerable amounts of data need to be backhauled to the TCC (up to 10 Mbps per RSU).

### D.5.1 Service area and connection density

It is relatively hard to provide estimates for the service area dimension. One reason is that it depends on the placement of the base station relative to the RSUs. Also, the RSUs can, in principle, act as relay nodes for each other. The service area dimension stated in table 7.2.2-1 indicates the size of the typical data collection area of an RSU (2 km along a road), from which the minimum spacing of RSUs can be inferred. The connection density can be quite high in case data is relayed between RSUs, i.e. along the road (1000 km<sup>-2</sup>).



---

## Annex E (informative): Higher-accuracy positioning use cases

### E.1 Mobile objects on factory floor

If a factory floor contains mobile objects such as forklifts or parts to be assembled moving along on suspension tracks, it is important to know their position in order to avoid collisions. The position needs to be acquired quickly within 500 ms, it might be longer for slow-moving objects. In any case, the position accuracy is very high (0,5 m). Furthermore, the higher-accuracy network positioning service requires a high availability (99,99%) but can survive with a missed measurement (survival time of 1 s).

The factory floor unit to be served is usually up to 500 x 500 x 30 m. It can be assumed that there are only few fast-moving objects (e.g. forklifts) but many slow-moving objects (parts to be assembled on suspension tracks) on the factory floor.

Often, the position is transmitted to neighbouring (mobile) objects and a control and monitoring centre.

## Annex F (informative): Change history

Change history							
Date	Meeting	TDoc	CR	Rev	Cat	Subject/Comment	New version
2016-12	SA#75	SP-170156	-	-	-	Skeleton	0.1.0
2017-03	SA#75	SP-170156	-	-	-	Agreements in SA1#75: S1-162342, S1-162305, S1-162480, S1-162345, S1-162481, S1-162471, S1-162313, S1-162347, S1-162486, S1-162349, S1-162546, S1-162322, S1-162323, S1-162450, S1-162547, S1-162548, S1-162549, S1-162492, S1-162550, S1-162520, S1-162485, S1-162517, S1-162551, S1-162505. And rapporteur's clean-up.	0.1.1
						Agreements in SA1#76: S1-163412, S1-163445, S1-163446, S1-163256, S1-163070, S1-163415, S1-163258, S1-163293, S1-163260, S1-163416, S1-163296, S1-163264, S1-163265, S1-163266, S1-163267, S1-163268, S1-163297, S1-163298, S1-163417, S1-163418, S1-163299, S1-163274, S1-163275, S1-163277, S1-163278, S1-163280, S1-163448, S1-163421, S1-163029, S1-163112, S1-163285, S1-163286, S1-163287, S1-163422, S1-163289, S1-163382, S1-163132, and rapporteur's clean-up.	0.2.0
2017-03	SA#75	SP-170156	-	-	-	MCC Clean-up for presentation to SA for information	1.0.0
2017-03	SA#75	SP-170156	-	-	-	Agreements in SA1#76bis: S1-170198, S1-170199, S1-170335, S1-170201, S1-170008, S1-170207, S1-170106, S1-170338, S1-170092, S1-170339, S1-170212, S1-170340, S1-170341, S1-170014, S1-170217, S1-170218, S1-170219, S1-170131, S1-170342, S1-170314, S1-170224, S1-170206, S1-170090, S1-170225, S1-170226, S1-170343, S1-170228, S1-170229, S1-170230, S1-170232, S1-170122, S1-170042, S1-170234, S1-170345, S1-170364, S1-170236, S1-170347, S1-170220, S1-170239, S1-170243, S1-170209, S1-170365, S1-170245, S1-170048, and rapporteur's clean-up.	1.1.0
2017-02	SA1#77					Agreements in SA1#77: S1-171400, S1-171401, S1-171430, S1-171141, S1-171252, S1-171253, S1-171256, S1-171257, S1-171258, S1-171143, S1-171259, S1-171431, S1-171149, S1-171261, S1-171144, S1-171263, S1-171297, S1-171290, S1-171266, S1-171154, S1-171267, S1-171268, S1-171269, S1-171073, S1-171291, S1-171150, S1-171272, S1-171151, S1-171152, S1-171273, S1-171188, S1-171153, S1-171155, S1-171283, S1-171274, S1-171277, S1-171278, S1-171393, S1-171399, S1-171156, S1-171060, S1-171069, S1-171180, S1-171284, S1-171285, S1-171140, S1-171286, S1-171288, S1-171398, S1-171292, S1-171435, and rapporteur's clean-up.	1.2.0
2017-03	SA#75	SP-170156	-	-	-	Presentation for approval	2.0.0
2017-03	SA#75	-				Raised to v.15.0.0 following SA's approval	15.0.0

Change history											
TSG SA#	SA Doc.	SA1 Doc	Spec	CR	Rev	Rel	Cat	Subject/Comment	Old	New	WI
<a href="#">SP-76</a>	SP-170443	S1-172288	<a href="#">22.261</a>	0017	3	<a href="#">Rel-15</a>	B	Addition of requirement on charging for the tenant of the slice	15.0.0	15.1.0	<a href="#">SMARTER</a>
<a href="#">SP-76</a>	SP-170443	S1-172286	<a href="#">22.261</a>	0016	3	<a href="#">Rel-15</a>	B	Addition of requirement on maintaining user experience when UE performs handover	15.0.0	15.1.0	<a href="#">SMARTER</a>
<a href="#">SP-76</a>	SP-170443	<a href="#">S1-172270</a>	<a href="#">22.261</a>	0022	2	<a href="#">Rel-15</a>	F	Alignment of network slicing requirements	15.0.0	15.1.0	<a href="#">SMARTER</a>
<a href="#">SP-76</a>	SP-170443	<a href="#">S1-172283</a>	<a href="#">22.261</a>	0011	3	<a href="#">Rel-15</a>	F	Clarification on removal of network function	15.0.0	15.1.0	<a href="#">SMARTER</a>
<a href="#">SP-76</a>	SP-170443	<a href="#">S1-172279</a>	<a href="#">22.261</a>	0021	3	<a href="#">Rel-15</a>	F	Clarifications on network slicing	15.0.0	15.1.0	<a href="#">SMARTER</a>
<a href="#">SP-76</a>	SP-170443	<a href="#">S1-172257</a>	<a href="#">22.261</a>	0020	1	<a href="#">Rel-15</a>	F	Clean-up of requirements on network slice scaling	15.0.0	15.1.0	<a href="#">SMARTER</a>
<a href="#">SP-76</a>	SP-170443	<a href="#">S1-172262</a>	<a href="#">22.261</a>	0025	1	<a href="#">Rel-15</a>	F	Correction on '8 security'	15.0.0	15.1.0	<a href="#">SMARTER</a>
<a href="#">SP-76</a>	SP-170443	<a href="#">S1-172012</a>	<a href="#">22.261</a>	0001		<a href="#">Rel-15</a>	F	CR to 22.261 Correction of the references for eV2X TS	15.0.0	15.1.0	<a href="#">SMARTER</a>
<a href="#">SP-76</a>	SP-170443	<a href="#">S1-172285</a>	<a href="#">22.261</a>	0015	4	<a href="#">Rel-15</a>	F	Efficient User Plane	15.0.0	15.1.0	<a href="#">SMARTER</a>

<a href="#">SP-76</a>	SP-170443	<a href="#">S1-172280</a>	<a href="#">22.261</a>	0012	3	<a href="#">Rel-15</a>	C	Exposure of QoE capability	15.0.0	15.1.0	<a href="#">SMARTER</a>
<a href="#">SP-76</a>	SP-170443	<a href="#">S1-172256</a>	<a href="#">22.261</a>	0023	1	<a href="#">Rel-15</a>	C	Maintaining a session whose priority changes in real time	15.0.0	15.1.0	<a href="#">SMARTER</a>
<a href="#">SP-76</a>	SP-170443	<a href="#">S1-172261</a>	<a href="#">22.261</a>	0027	1	<a href="#">Rel-15</a>	B	parallel transfer of multiple multicast/broadcast user services to a UE	15.0.0	15.1.0	<a href="#">SMARTER</a>
<a href="#">SP-76</a>	SP-170443	<a href="#">S1-172277</a>	<a href="#">22.261</a>	0002	3	<a href="#">Rel-15</a>	F	Replacement of 5G-RAN with NG-RAN	15.0.0	15.1.0	<a href="#">SMARTER</a>
<a href="#">SP-76</a>	SP-170443	<a href="#">S1-172278</a>	<a href="#">22.261</a>	0006	2	<a href="#">Rel-15</a>	F	Update service continuity definition	15.0.0	15.1.0	<a href="#">SMARTER</a>
<a href="#">SP-76</a>	SP-170443	<a href="#">S1-172404</a>	<a href="#">22.261</a>	0007	4	<a href="#">Rel-15</a>	C	Updates to network slice assignment in TS 22.261	15.0.0	15.1.0	<a href="#">SMARTER</a>
SP-76	SP-170443	S1-172287	22.261	0031	1	Rel-15	F	Complete UE requirements on secure platform aspects	15.0.0	15.1.0	SMARTER
SP-77	SP-170692	S1-173472	22.261	0034	1	Rel-15	D	Critical communication cleanup	15.1.0	15.2.0	SMARTER
SP-77	SP-170692	S1-173458	22.261	0035	1	Rel-15	F	Correction on security requirement for relayed data protection	15.1.0	15.2.0	SMARTER
SP-77	SP-170692	S1-173460	22.261	0036	1	Rel-15	F	Correction on regulatory requirement for all access technologies	15.1.0	15.2.0	SMARTER
SP-77	SP-170692	S1-173462	22.261	0037	1	Rel-15	F	Update eV2X TS number	15.1.0	15.2.0	SMARTER
SP-77	SP-170692	S1-173548	22.261	0040	5	Rel-15	C	Clarification on access control requirement	15.1.0	15.2.0	SMARTER
SP-77	SP-170692	S1-173545	22.261	0050		Rel-15	A	Critical communication cleanup	15.1.0	15.2.0	SMARTER
SP-78	SP-170987	S1-174619	22.261	0062	6	Rel-15	C	Clarification of unified access control requirements	15.2.0	15.3.0	SMARTER
SP-79	SP-180129	<a href="#">S1-180597</a>	<a href="#">22.261</a>	0078	2	<a href="#">Rel-15</a>	F	Clarification of 5GC requirements	15.3.0	15.4.0	<a href="#">SMARTER</a>
SP-79	SP-180129	<a href="#">S1-180625</a>	<a href="#">22.261</a>	0070	4	<a href="#">Rel-15</a>	F	Release 15 alignment on the KPIs for URLLC	15.3.0	15.4.0	<a href="#">TEI15</a>
SP-79	SP-180130	<a href="#">S1-180495</a>	<a href="#">22.261</a>	0076	1	<a href="#">Rel-15</a>	F	Alignment of normative and descriptive clauses for Unified Access Control regarding operator defined Access Identities	15.3.0	15.4.0	<a href="#">SMARTER</a>
SP-79	SP-180130	<a href="#">S1-180526</a>	<a href="#">22.261</a>	0087		<a href="#">Rel-15</a>	F	Clarification of access Identity in unified access control	15.3.0	15.4.0	<a href="#">SMARTER</a>
SP-79	SP-180130	<a href="#">S1-180528</a>	<a href="#">22.261</a>	0083	2	<a href="#">Rel-15</a>	F	Clarification of Messaging in Unified Access Control (UAC)	15.3.0	15.4.0	<a href="#">SMARTER</a>
SP-79	SP-180131	<a href="#">S1-180193</a>	<a href="#">22.261</a>	0084		<a href="#">Rel-15</a>	F	Clarification of latency requirements	15.3.0	15.4.0	<a href="#">SMARTER</a>
SP-79	SP-180212	<a href="#">fromS1-180610</a>	<a href="#">22.261</a>	0054	9	<a href="#">Rel-15</a>	F	Support legacy USIM in 5G	15.3.0	15.4.0	<a href="#">SMARTER</a>
SP-79	-	-						MCC corrected " as specified in TR 38.913" into "as described in TR 38.913".	15.3.0	15.4.0	
<a href="#">SP-80</a>	SP-180304	<a href="#">S1-181361</a>	<a href="#">22.261</a>	0102	1	<a href="#">Rel-15</a>	F	Clarifications on communication service availability and reliability	15.4.0	15.5.0	<a href="#">SMARTER</a>
<a href="#">SP-80</a>	SP-180304	<a href="#">S1-181388</a>	<a href="#">22.261</a>	0094	1	<a href="#">Rel-15</a>	F	Positioning Part align with Rel-15 5G NR Specification	15.4.0	15.5.0	<a href="#">SMARTER</a>
<a href="#">SP-80</a>	SP-180304	<a href="#">S1-181394</a>	<a href="#">22.261</a>	0099	1	<a href="#">Rel-15</a>	F	Release 15 alignment on the 5G requirements	15.4.0	15.5.0	<a href="#">SMARTER</a>
<a href="#">SP-80</a>	SP-180304	<a href="#">S1-181654</a>	<a href="#">22.261</a>	0100	3	<a href="#">Rel-15</a>	F	Release 15 further alignment on the URLLC KPIs	15.4.0	15.5.0	<a href="#">SMARTER</a>
SP-80	SP-180610		22.261	0091	7	Rel-15	F	22.261 CR0091R7: Clarification on secure storage and processing of subscription credentials	15.4.0	15.5.0	SMARTER
SP-81	SP-180752	S1-182044	22.261	0266		Rel-15	F	Alignment of Indirect communication requirement	15.5.0	15.6.0	SMARTER
SP-81	SP-180752	S1-182661	22.261	0267	2	Rel-15	F	Clarification to Delay Tolerant	15.5.0	15.6.0	SMARTER
SP-81	SP-180752	S1-182673	22.261	0287	2	Rel-15	F	Clarify the method of configuring the UE to use Access Identity 1 and Access Identity 2	15.5.0	15.6.0	SMARTER
SP-81	SP-180752	S1-182757	22.261	0288	3	Rel-15	B	Support for use of licensed and unlicensed bands	15.5.0	15.6.0	SMARTER
SP-81	SP-180754	S1-182437	22.261	0282	1	Rel-15	C	Addition of new Access category for 'MO signalling on RRC level resulting from other than paging'	15.5.0	15.6.0	TEI15

Change history							
Date	Meeting	TDoc	CR	Rev	Cat	Subject/Comment	New version
2018-12	SP-82	SP-181012	0019	4	B	normative requirements for V2XIMP	16.1.0
2018-12	SP-82	SP-181012	0020	2	B	Annex Role model for V2XIMP	16.1.0
2018-12	SP-82	SP-180997	0347		F	Alignment of multi-network connectivity	15.7.0
2018-12	SP-82	SP-180997	0301	1	F	Alignment of Markets requiring minimal service levels requirement	15.7.0
2018-12	SP-82	SP-180997	0302	1	F	Alignment of Extreme long range coverage in low density areas requirement	15.7.0
2018-12	SP-82	SP-180997	0321	1	F	Alignment of service requirements for Satellite access and Fixed broadband access	15.7.0
2018-12	SP-82	SP-180997	0322	1	F	Service requirements for Network Capability Exposure	15.7.0
2018-12	SP-82	SP-180997	0323	1	F	Service requirements for flexible broadcast/multicast	15.7.0
2018-12	SP-82	SP-180997	0346	1	F	Alignment - Removing Integrated Access Backhaul from 5GS in Release 15	15.7.0
2018-12	SP-82	SP-180997	0328	1	F	Minor correction to URLLC clause	15.7.0
2018-12	SP-82	SP-180998	0307	2	F	Clarification on positioning-related descriptions in 7.3.1	15.7.0
2019-09	SA#85	SP-190798	0400	1	F	Alignment of geographic constraint on a network slice	15.8.0
2019-09	SA#85	SP-190798	0401	1	F	Clarify requirements for group IoT authentication	15.8.0
2021-09	SA#93e	SP-211030	0554	1	F	Correction to Reliability definition	15.9.0

---

## History

<b>Document history</b>		
V15.5.0	July 2018	Publication
V15.6.0	October 2018	Publication
V15.7.0	March 2019	Publication
V15.8.0	October 2019	Publication
V15.9.0	October 2021	Publication