

LNL-77E-40000 SERIES

ES INTEGRAL ROTARY LATCH



Patent Pending

SPECIFICATIONS

POWER SPECIFICATIONS

VOLTAGE: 12V nominal
 CURRENT DRAW: 3.3A nominal
 MAX CURRENT DRAW: 4A full load
 OPERATION: Non-polarity specific pulse
 RESPONSE TIME: 50mS minimum (DC12V)

ACTUATION SPECIFICATIONS

STRIKER SIZE: .375"
 SINGLE STAGE
 Does not meet FMVSS206

MATERIAL SPECIFICATIONS

LATCH: Steel, fluorocarbon
 CASE: Black electro-coated steel
 DURABILITY: 12,000 cycles minimum

ENVIRONMENTAL SPECIFICATIONS

OPERATING TEMPERATURE RANGE:
 -40°C to 80°C
 HUMIDITY: 95%

OPTIONS

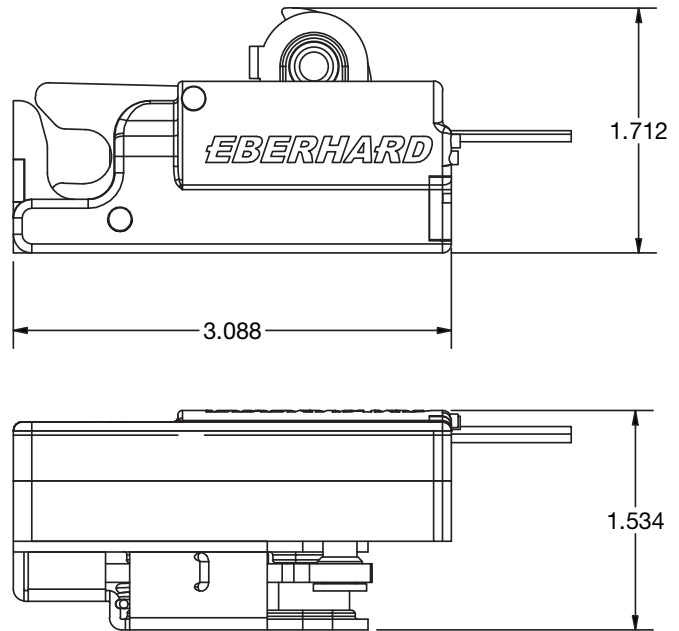
Bare wire 22 AWG, internal switch – closed and/or open position, 3A at 30VDC max

CERTIFICATIONS

RoHS

FEATURES

- Low 3.5 amp draw activation
- Thermal overload protection
- Same mounting as the 240 (or LNL) Rotary
- Left/right or inline release orientation
- 4 lb. or 10 lb. options
- Open/Close Latch Switch Sensor (optional)



PART #
LNL-77E-40287/LNL-77E-40289 (Footed Right/Left) 10 lbs.
LNL-77E-41750/LNL-77E-41751 (Thru Hole Right/Left) 4 lbs.