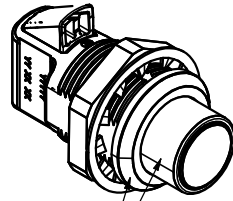
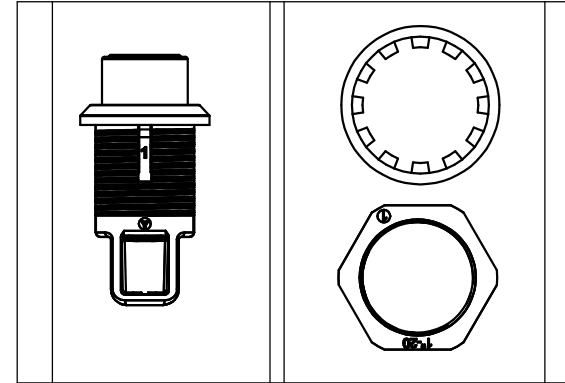


CONFIDENTIAL NOTICE: This drawing and the designs, specifications and engineering information disclosed hereon are the property of Eberhard Manufacturing Company and are not to be disseminated or reproduced without express written consent. The drawing is loaned in confidence and then only for consideration of the matter disclosed hereon. In accepting loan of this drawing, recipient agrees to keep it and the matter disclosed hereon in confidence and not to use nor permit their use in any way detrimental to Eberhard Manufacturing Company, Division of the Eastern Company. 21944 Drake Road, Cleveland, Ohio 44149-9712. © 2016 EBERHARD MFG. CO.

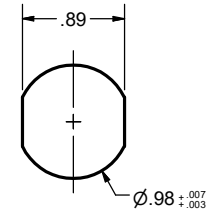
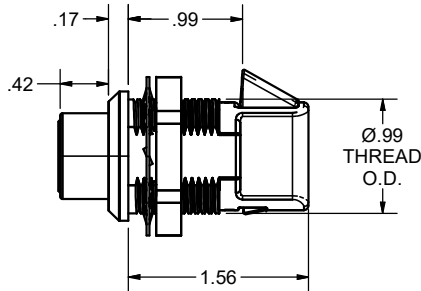
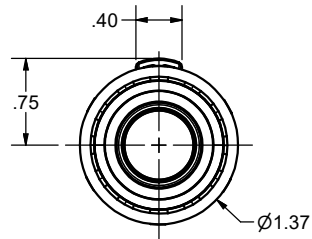
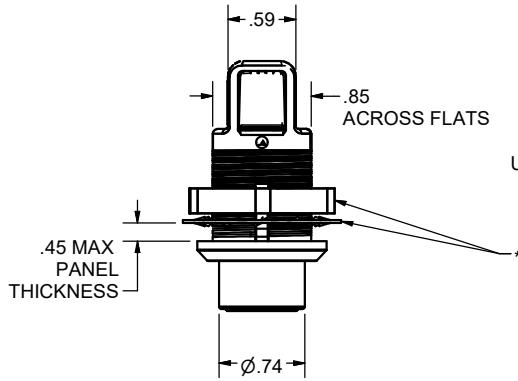
REVISION HISTORY					
REV	DESCRIPTION	EN	DATE	REV. BY	APVD. BY
	RELEASED, REF PP 12493 REV C	5886	1/18/2019	VRB	MR
1	ADDED NOTES PERTAINING TO UV RESISTANT ADDITIVE	5911	7-12-19	KLS	MR
2	ADDED NOTE ABOUT TURNING, PP 12493 REV F	5974	10/30/2020	MR	MR



UV RESISTANCE IS REQUIRED FOR THE HOUSING AND PUSH BUTTON ①



* BODY AND MOUNTING HARDWARE PACKED IN SEPARATE COMPARTMENTS OF CLOSED POLY BAG.



SUGGESTED CUTOUT

CUSTOMER PRINT SHEET 1 OF 2

EBERHARD MANUFACTURING CO.
DIVISION OF
THE EASTERN COMPANY
CLEVELAND, OHIO 44149-9712

NAME
NON LOCKING PUSH BUTTON ASSEMBLY, LESS FINGER PULL

MATERIAL
SEE NOTE

PART NUMBER
625-PK

- NOTES:
1. MATERIAL: HOUSING: PA6 WITH UV RESISTANT ADDITIVE, PUSH BUTTON: ABS WITH UV RESISTANT ADDITIVE ①
 2. EBERHARD FINISH: (MB), MATTE BLACK
 3. CENTER CANNOT BE ROTATED TO LOCK ②
 4. TO ORDER USE P/N: 625-PK-MB

THIS DOCUMENT IS IN ACCORDANCE WITH ASME Y14.5-2009			
LINEAR MEASURE: INCH		DATE 1/18/2019	
UNLESS OTHERWISE SPECIFIED TOLERANCES ARE AS FOLLOWS:		DR BY RBernot	
ANGLES: ± 2° ± 2°		SCALE FULL	
2 PLACE DEC: ± .03 ± .76		CHK BY	
3 PLACE DEC: ± .015 ± .38			
ALL HOLES: ± .005 ± .13			