



**EBERHARD™**  
[ ENGINEERED : ACCESS : SOLUTIONS ]

INDOOR



TUBULAR



IP66 RATED



OUTDOOR



ECONOMICAL



**SWITCH LOCKS** *PRODUCT CATALOG 2022*



# EBERHARD MANUFACTURING

---

Established in 1877, The Eberhard Manufacturing Company is a global leader in the engineering and manufacturing of access & security hardware. We have a standard product line of rotary latches, compression latches, draw latches, hinges, camlocks, key switches, padlocks, and handles to name a few. We also offer full development and program management services for custom electromechanical and mechanical systems designed for specific OEM's and customer applications. Our products are found in an expansive range of applications and products globally, virtually unnoticed in our everyday lives. Typically, you are never more than 2 meters (6 feet) from one of our solutions.

The Eberhard Manufacturing Company is a registered ISO9001-2015 company based in Strongsville, Ohio. Our core manufacturing capabilities are in die-casting, injection molding, stamping, machining and final assembly. Our passion for engineering drives us forward. Developing new products to meet our customer's design challenges is our main objective. Adding haptics and functionality to our products ultimately supports our customer's brand equity and increases the value of their end products.

Eberhard is a division of The Eastern Company (Nasdaq stock ticker EML).

## LOCATIONS

---

### USA

#### **Design & Manufacturing Center**

Eberhard Manufacturing Company  
21944 Drake Road  
Strongsville, OH 44149-9712

#### **Design & Manufacturing Center**

Eberhard + ILC (formerly Illinois Lock Co. location)  
3930 N Ventura Drive  
Arlington Heights, IL 60004



## IP66 RATED KEY SWITCH LOCKS

BASE PART NUMBER	AMPAGE	[B-DIMENSION]*		[C-DIMENSION]*	
		INCHES	MM	INCHES	MM
V3272CA4	10	2.0625	52.4	0.6875	17.5
V3272CH6	20	2.75	69.9	0.6875	17.5

\*length tolerance +/- .039" [1mm]

- Outdoor IP66 rated switch locks resist moisture, dust, salt and extreme temperatures
- Solder type terminals
- Custom wire harnessing available
- Offers 4 disk tumblers and 50 key codes
- Automotive type dust shutter
- Custom logo or company name available on plastic key bow
- Lock must be installed in an IP66 rated enclosure with torque of 8 inch-pounds to meet IP66 standards

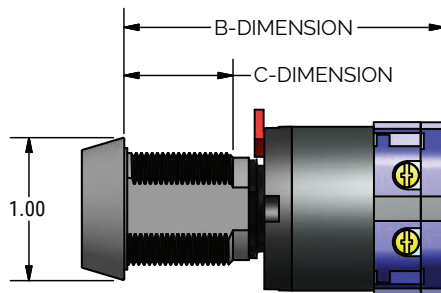


V3272CH6

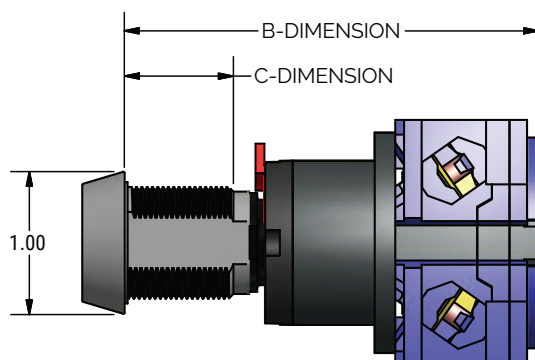
LOCK MATERIAL: Zinc die cast housing and cylinder

LOCK FINISH: Chrome over double nickel with stainless steel scalp

SWITCH CONTACTS & TERMINALS: Gold plated silver



V3272CA4



V3272CH6

# INDOOR/OUTDOOR KEY SWITCH LOCKS

BASE PART NUMBER	AMPAGE	[B-DIMENSION]*		[C-DIMENSION]*	
		INCHES	MM	INCHES	MM
V3172NCH6	20	2.625	66.7	0.5	12.7
V3152NCH6	20	2.75	69.9	0.6875	17.5
V3172NCG6	16	2.375	63.5	0.5	12.7
V3175NCG6	16	2.5	64	0.6875	17.5
V3172NCA6	10	1.9375	49.2	0.5	12.7
V3175NCA6	10	2.0625	52.4	0.6875	17.5

\*length tolerance +/- .039" [1mm]

- Screw type terminals
- Custom wire harnessing available
- V3172NCH6, V3172NCG6, and V3172NCA4 offers 4 disk tumblers and 50 key codes; V3175CH6, V3175NCG6 and V3175NCA4 offers 5 disk tumblers and 200 key codes.
- Automotive type dust shutter
- Custom logo or company name available on plastic key bow
- Mounting nut standard. Speed clip is available.  
Designed for applications from .72" to .11"

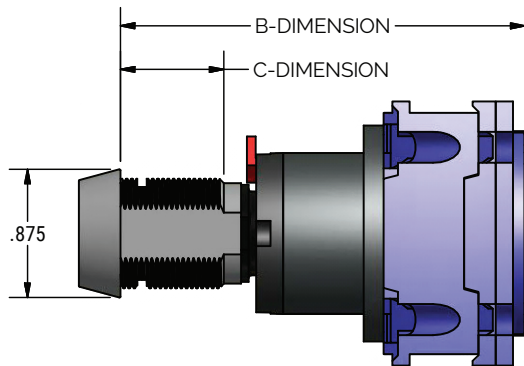


V3172NCH6

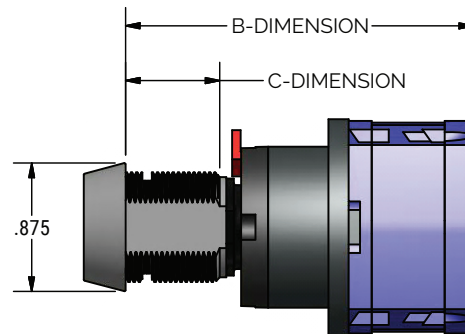
LOCK MATERIAL: Zinc die cast housing and cylinder

LOCK FINISH: Chrome over double nickel with stainless steel scalp

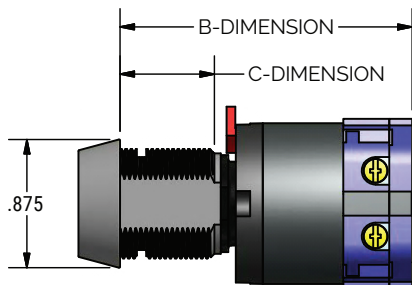
SWITCH CONTACTS & TERMINALS: Gold plated silver



V3172NCH6, V3175NCH6



V3172NCG6, V3175NCG6



V3172NCA4, V3175NCA4

## INDOOR/OUTDOOR 4 AMP KEY SWITCH LOCKS

BASE PART NUMBER	[B-DIMENSION]*		[C-DIMENSION]*	
	INCHES	MM	INCHES	MM
V3172NRS	1.375	34.9	0.5	12.7
V3175NRS	1.5	38.1	0.6875	17.5
V3174NRS	1.8125	46.0	0.5	12.7
V3178NRS	1.9375	49.2	0.6875	17.5

\*length tolerance +/- .039" [1mm]

- Solder type terminals
- Custom wire harnessing available
- Automotive style reversible key and dust shutter
- V3172NRS and V3174NRS offer 4 disk tumblers and 50 key codes. V3175NRS and V3178NRS offer 5 disk tumblers and 200 key codes.
- Custom logo or company name available on plastic key bow
- Potted switch optional
- Mounting nut standard. Speed clip is available. Designed for applications from .72" to .11"

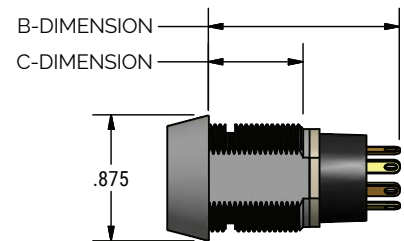
**LOCK MATERIAL:** Zinc die cast housing and cylinder

**LOCK FINISH:** Chrome over double nickel with stainless steel scallop

**SWITCH CONTACTS & TERMINALS:** Silver plated copper (Standard); Gold plated copper (Optional).



V3172NRS



V3172NRS, V3175NRS

## INDOOR/OUTDOOR 200 MILLIAMP KEY SWITCH LOCK

BASE PART NUMBER	[B-DIMENSION]*		[C-DIMENSION]*	
	INCHES	MM	INCHES	MM
V3172NCC	1.28125	32.5	0.5	12.7
V3175NCC	1.34375	34.1	0.6875	17.5
V3174NCC	1.28125	32.5	0.5	12.7
V3178NCC	1.34375	34.1	0.6875	17.5

\*length tolerance +/- .039" [1mm]

- Solder type terminals
- Custom wire harnessing available
- Automotive style reversible key and dust shutter
- V3172NCC and V3174NCC offer 4 disk tumblers and 50 key codes. V3175NCC and V3178NCC offer 5 disk tumblers and 200 key codes.
- Custom logo or company name available on plastic key bow
- Potted switch optional
- Mounting nut standard. Speed clip is available. Designed for applications from .72" to .11"

**LOCK MATERIAL:** Zinc die cast housing and cylinder

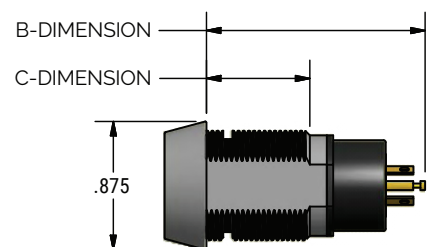
**LOCK FINISH:** Chrome over double nickel with stainless steel scallop

**SWITCH CONTACTS:** Gold plated silver

**SWITCH TERMINALS:** Gold plated brass



V3172NCC



V3172NCC, V3175NCC

# INDOOR KEY SWITCH LOCKS

BASE PART NUMBER	AMPAGE	[B-DIMENSION]*	
		INCHES	MM
V3171CH6	20	2.4375	62
V3171CG6	16	2.3281	59.1
V3171CA4	10	0.8125	45.9
V3171RS	4	1.0625	28.3

\*length tolerance +/- .039" [1mm]

- Screw type terminals
- Custom wire harnessing available
- V3171CH6, V3171CG6, V3171CA4 offer 4 disk tumblers and 50 keys
- Custom logo or company name available on plastic key bow
- Mounting nut standard. Speed clip is available. Designed for applications from .72" to .11"

**LOCK MATERIAL:** Zinc die cast housing and cylinder

**LOCK FINISH:** Bright Chrome US26; Satin Nickel US15; Black E-coat (optional)

**SWITCH CONTACTS & TERMINALS:** Gold plated silver



V3171CH6



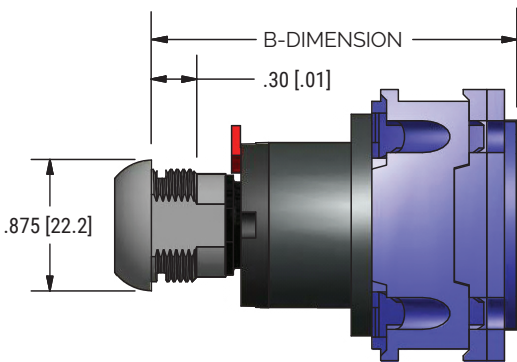
V3171CA4



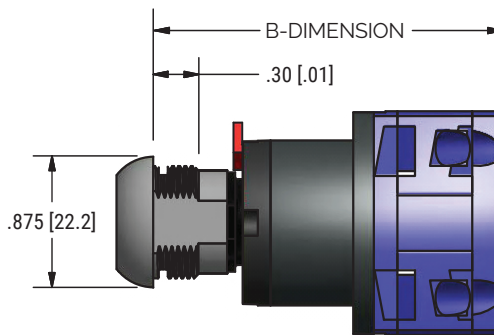
V3171CG6



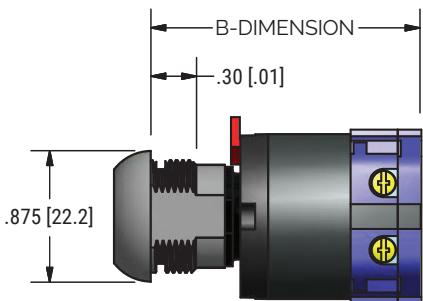
V3171RS



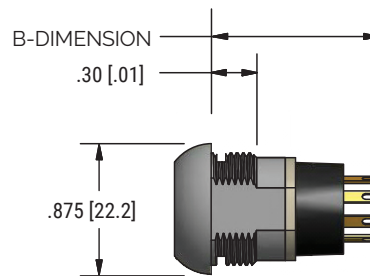
V3171CH6



V3171CG6



V3171CA4



V3171RS

## TUBULAR SWITCH LOCKS

BASE PART NUMBER	[B-DIMENSION]*		[C-DIMENSION]*		SPRING RETURN	CONNECTOR	POSITION
	INCHES	MM	INCHES	MM			
S202	1.5	38.1	0.875	22.2	No	Solder Post	Off-On
S202A	1.5	38.1	0.875	22.2	Yes	Solder Post	Off-On
S207	1.7187	43.7	0.875	22.2	No	Screw	Off-On
S207A	1.7187	43.7	0.875	22.2	Yes	Screw	Off-On
S208	1.7187	43.7	0.875	22.2	No	Spade	Off-On
S208A	1.7187	43.7	0.875	22.2	Yes	Spade	Off-On

\*length tolerance +/- .039" [1mm]

- Maintaining and momentary (spring return) functions
- Pole Positions: Off-On
- Post, screw or spade terminals available
- Customer wire harnessing available
- Electrical rating: 5 amps 125 VAC; 2 amps 250 VAC
- 7 Pin tumbler mechanism utilizing a tubular key switch utilizing a tubular key which offers over 750,000 combinations

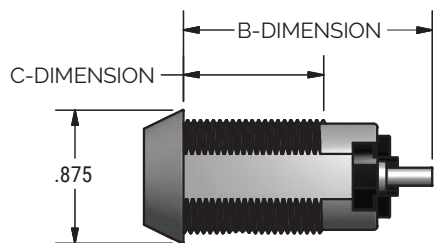


DS202

LOCK MATERIAL: Zinc die cast housing and cylinder

LOCK FINISH: Bright Chrome US26 (Standard); Black E-coat (Optional)

SWITCH CONTACTS: Brass



DS202

## ECONOMICAL SWITCH LOCKS

BASE PART NUMBER	[B-DIMENSION]*		[C-DIMENSION]*		SPRING RETURN	CONNECTOR	POSITION
	INCHES	MM	INCHES	MM			
S201	1.375	34.9	0.71875	18.5	No	Solder Post	Off-On
S201A	1.6875	42.9	1.03125	26.2	Yes	Solder Post	Off-On
S203	1.4687	37.3	0.71875	18.5	No	Screw	Off-On
S203A	1.78125	45.2	1.03125	26.2	Yes	Screw	Off-On
S205	1.4687	37.3	0.71875	18.5	No	Spade	Off-On
S205A	1.78125	45.2	1.03125	26.2	Yes	Spade	Off-On
S301	1.375	34.9	0.71875	18.5	No	Solder Post	On-Off
S301A	1.6875	42.9	1.03125	26.2	Yes	Solder Post	On-Off
S303	1.4687	37.3	0.71875	18.5	No	Screw	On-Off
S303A	1.78125	45.2	1.03125	26.2	Yes	Screw	On-Off
S305	1.4687	37.3	0.71875	18.5	No	Spade	On-Off
S305A	1.78125	45.2	1.03125	26.2	Yes	Spade	On-Off

\*length tolerance +/- .039" [1mm]

- Maintaining and momentary (spring return) functions
- Pole Positions: Off-On
- Post, screw or spade terminals available
- UL Recognized
- Customer wire harnessing available
- Electrical rating: 6 amps 120 VAC

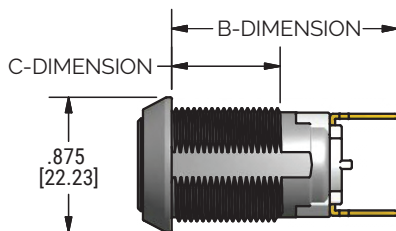


DS201

LOCK MATERIAL: Zinc die cast housing and cylinder

LOCK FINISH: Bright Chrome US26 (Standard); Black E-coat (Optional)

SWITCH CONTACTS: Brass



DS201



## TERMS & CONDITIONS

**Pricing.** Prices and specifications are subject to change without notice and are valid only on the day the order is placed. Eberhard Website prices, e-mail offers and other advertisements are subject to correction. Published prices do not include shipping, sales tax and insurance. Proof of purchase and postage may be required for rebates.

**Shipment.** Delivery dates are estimates only and are based on manufacturer inventory and normal shipping conditions (shipping conditions and actual ship dates may vary). Shipping and handling charges will be added to the price of any products and/or services purchased by Internet Purchase Order via the Eberhard Website. Eberhard reserves the right to make partial shipments until a purchase order is shipped complete. Eberhard will notify you if products and/or services have been discontinued and/or are no longer available, and such products and/or services will be cancelled from pending purchase orders with a credit for any paid, but unshipped products and/or services.

**Risk of Loss.** All products and/or services purchased from the Eberhard Website are made pursuant to a shipment contract. This means that the risk of loss and title for such items pass to you upon Eberhard's delivery to the carrier, at Eberhard's shipping point. Eberhard will not be responsible for goods lost in transit. Purchaser is solely responsible for filing claims with the carrier for losses. Claims for shortages in shipment not chargeable to the carrier must be reported within ten (10) days from receipt of merchandise.

**Eberhard Products and Services.** Eberhard reserves the right to modify and/or discontinue products and/or services, at any time, and at Eberhard's sole discretion.

**Return Policy.** If you are not satisfied with your purchase and you return products within thirty (30) days of receipt, you may exchange the product or receive a refund or credit, according to this Return Policy, provided the returned products are in the same condition as the date shipped ("as new" condition), and returned in the original box and packaging, along with a copy of the Internet Purchase Order, shipping documents, proof of delivery, and any warranty cards. No Eberhard product or part can be returned for credit unless written authorization has been given in advance. Merchandise returned must be identified as to the original date of purchase, purchase order number, and shipper's name and address. Service and handling charge is 15% of net billing price, except in the case of defective parts. Any freight paid by Illinois Lock will be deducted from the amount of credit issued, except in the case of defective parts. Merchandise returned in unsaleable condition will not be acceptable. The return of obsolete, discontinued, modified or special parts is not permissible. Eberhard reserves the right to charge for all work completed or materials purchased when an order is canceled or reduced prior to shipment, where special or modified parts are involved. Eberhard reserves the right to assess an additional cancellation charge, other than the normal 15% handling charge, in the event the quantity canceled is in excess of our normal stock requirements. Prices are subject to change in the event purchaser receives original order quantity.

**Limited Warranty.** Eberhard strives to produce quality products at reasonable prices. If you are not satisfied with our product because of a defect, we will repair or replace the defective part or parts free of charge for a period of one year from the date of purchase. In the event you claim that the product contains a defect, simply notify Eberhard of the defect, and we will arrange for repair or replacement. The sole and exclusive remedy against Eberhard relating in any way to a product defect shall be the repair or replacement of defective parts as provided for under this LIMITED WARRANTY. No other remedy, including, but not limited to, incidental or consequential loss, is available. This LIMITED WARRANTY shall not be deemed to have failed of its essential purpose so long as Eberhard is willing and able to repair or replace defective parts in the manner prescribed in this LIMITED WARRANTY. Any action for breach relating to the sale of an Eberhard product must be commenced within one year after the cause of action has accrued. This LIMITED WARRANTY IS IN LIEU OF ANY OTHER WARRANTY, EXPRESS OR IMPLIED, AND ALL SUCH WARRANTIES ARE EXCLUDED, INCLUDING, BUT NOT LIMITED TO, ANY IMPLIED WARRANTY OF MERCHANTABILITY OR FITNESS FOR A PARTICULAR PURPOSE.

### INTERESTED IN LEARNING MORE?

Schedule a solution seminar with our expert staff.  
Email [sales@eberhard.com](mailto:sales@eberhard.com) for more information.



**EBERHARD**<sup>™</sup>  
[ ENGINEERED : ACCESS : SOLUTIONS ]

SWITCH LOCK CATALOG 2022

21944 Drake Road | Strongsville, OH 44149-9712 | 440-238-9720 | eberhard.com | sales@eberhard.com | 2.22