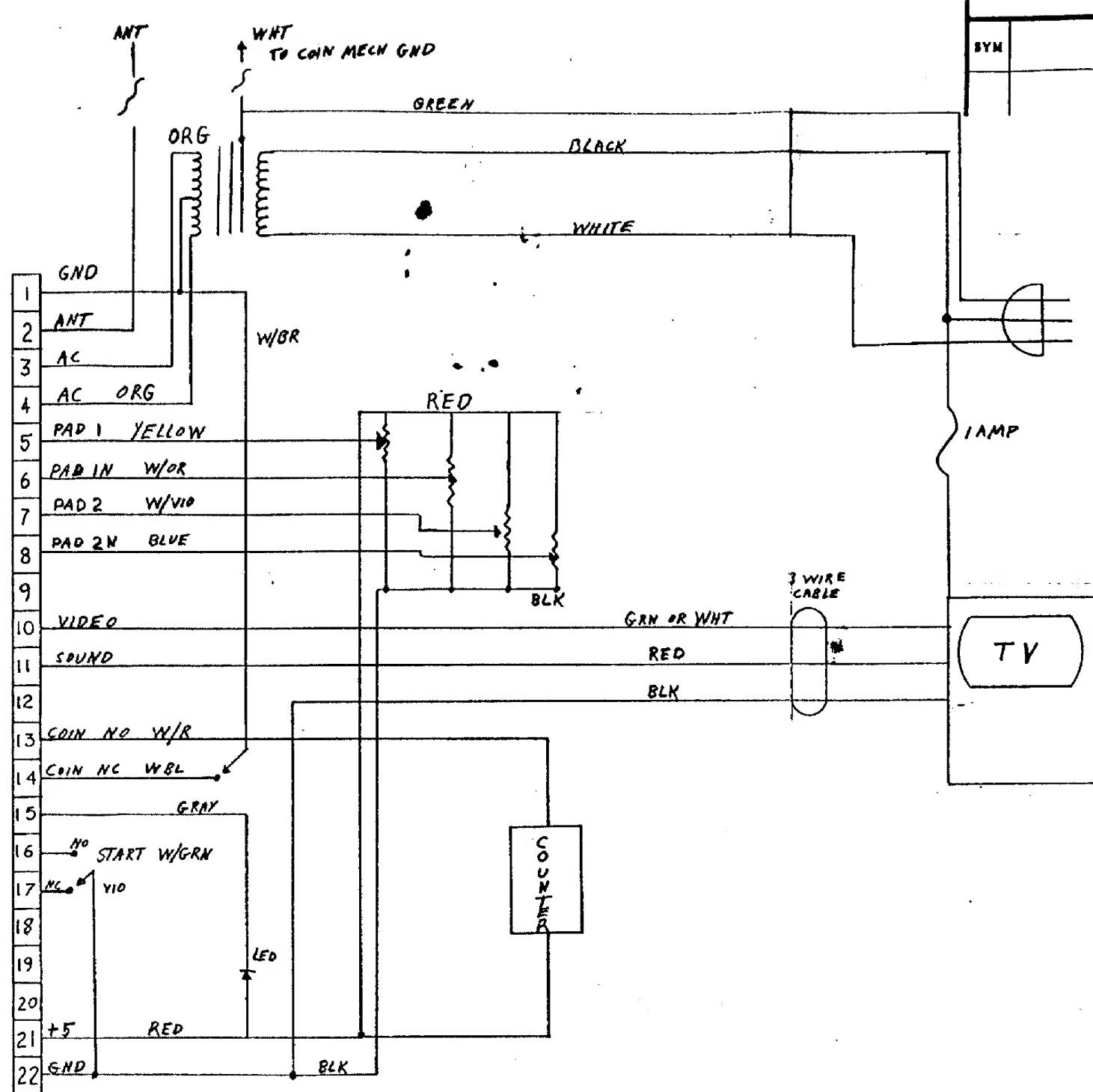


ATARI INC 14600 WINCHESTER BLVD
 LOS GATOS, CA, 95030
 REV F
 408-374-2440
 SCHEMATIC PONG DOUBLES
 DRN: PCD 10-1173 APP: 222
 SH 1 OF 1



REVISIONS			INITIALS and DATE		
SYM	DESCRIPTION	DRFTG	CHECK	ENGRG	


D

C

B

DRAWING NO.
SHEET
REV

A

INTERPRET THIS DRAWING PER USASI 114.5 UNLESS OTHERWISE SPECIFIED DIMENSIONS ARE IN INCHES TOLERANCES ON: FRACTIONS = $\pm 1/16$ $\times = \pm .1$ ANGLES = $\pm 1^\circ$ $XX = \pm .03$ SURFACE FINISH $XXX = \pm .010$	DRAWN BY M. JONES	DATE 10-14-71	 ATARI ATARI INCORPORATED 14600 Winchester Boulevard Los Gatos, California 95030	
	CHECKED DESIGN ENGINEER PROJECT ENGINEER	DOCUMENT CONTROL 777		TITLE PONG DBL'S HARNESS
MATERIAL:	APPROVED	SIZE C	DRAWING NO. 000783	REV D
NEXT ASSY USED ON	APPLICATION	SCALE <i>H</i>	SHEET 1 OF 1	

4

3

2

1