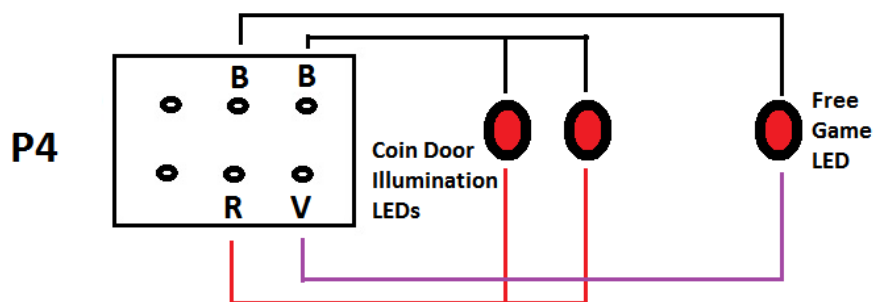
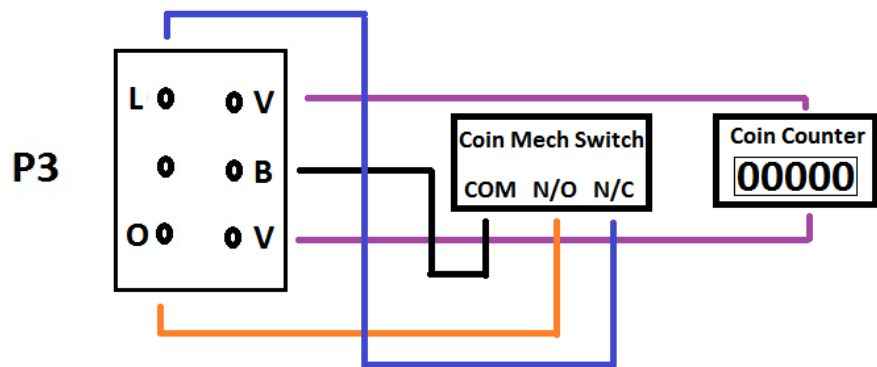
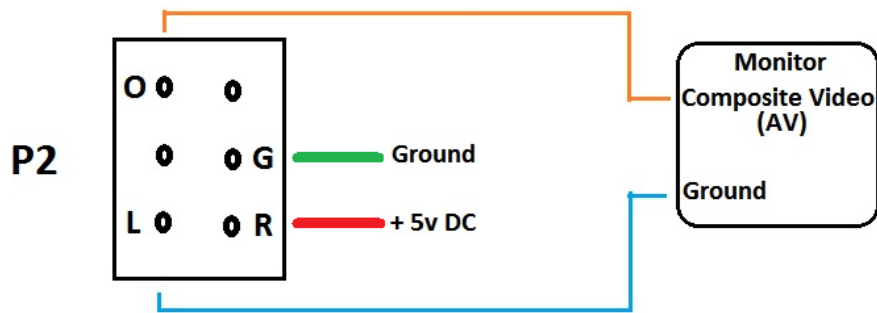
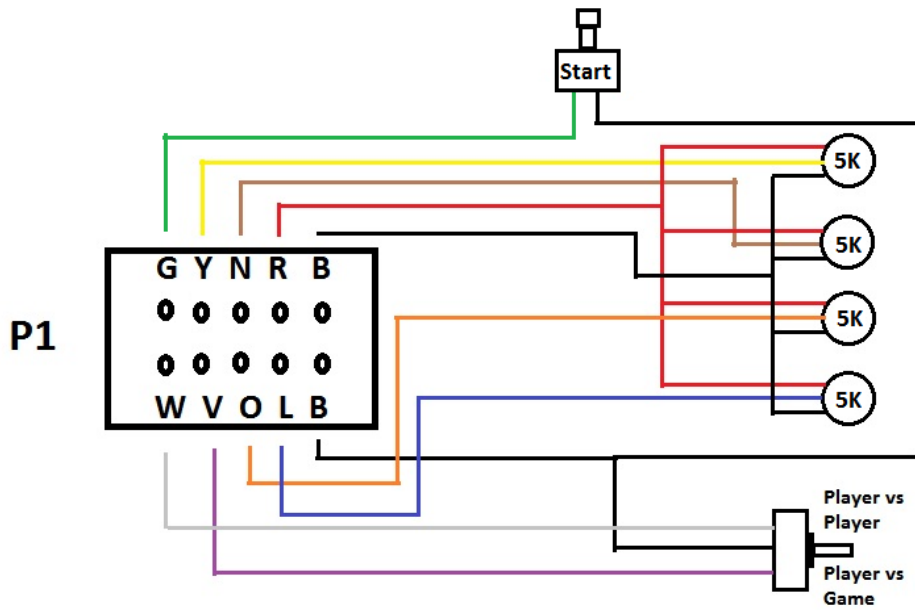


MIRCO - CHALLENGE PINOUT



UPPER
LEFT
CORNER

R.C. BOARD — COMPONENT SIDE

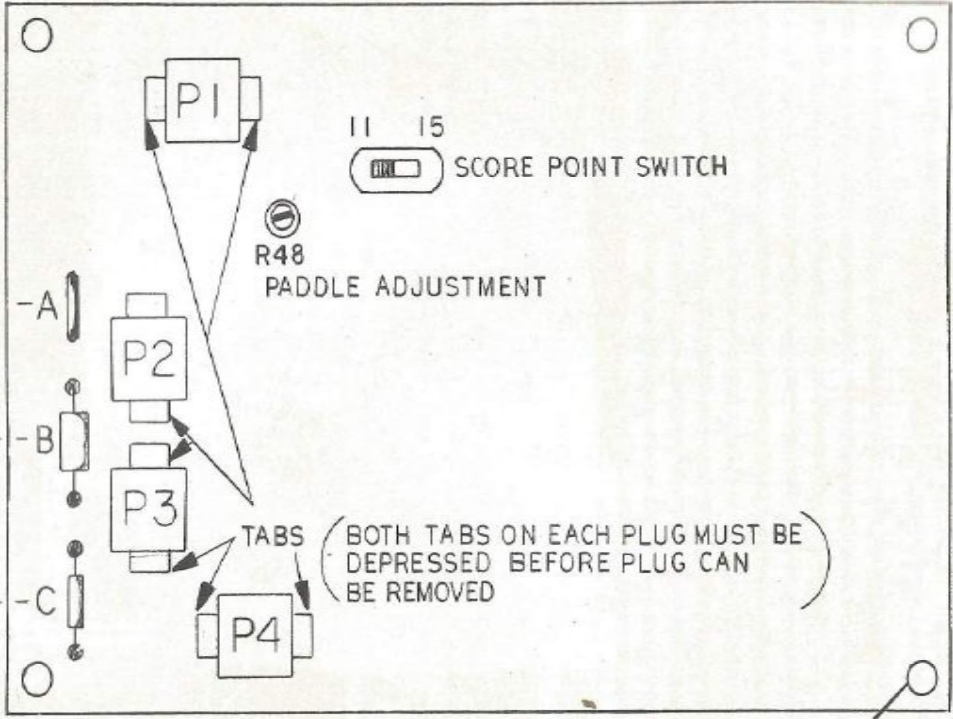
UPPER
RIGHT
CORNER

FIGURE 2-2

DISK
CAPACITOR

CAN
CAPACITOR

DIODE OR
RESISTOR



UNUSED MOUNTING HOLES (4)