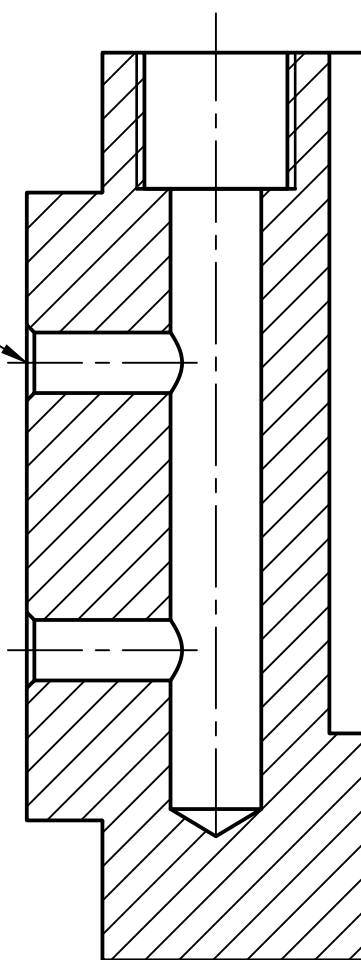


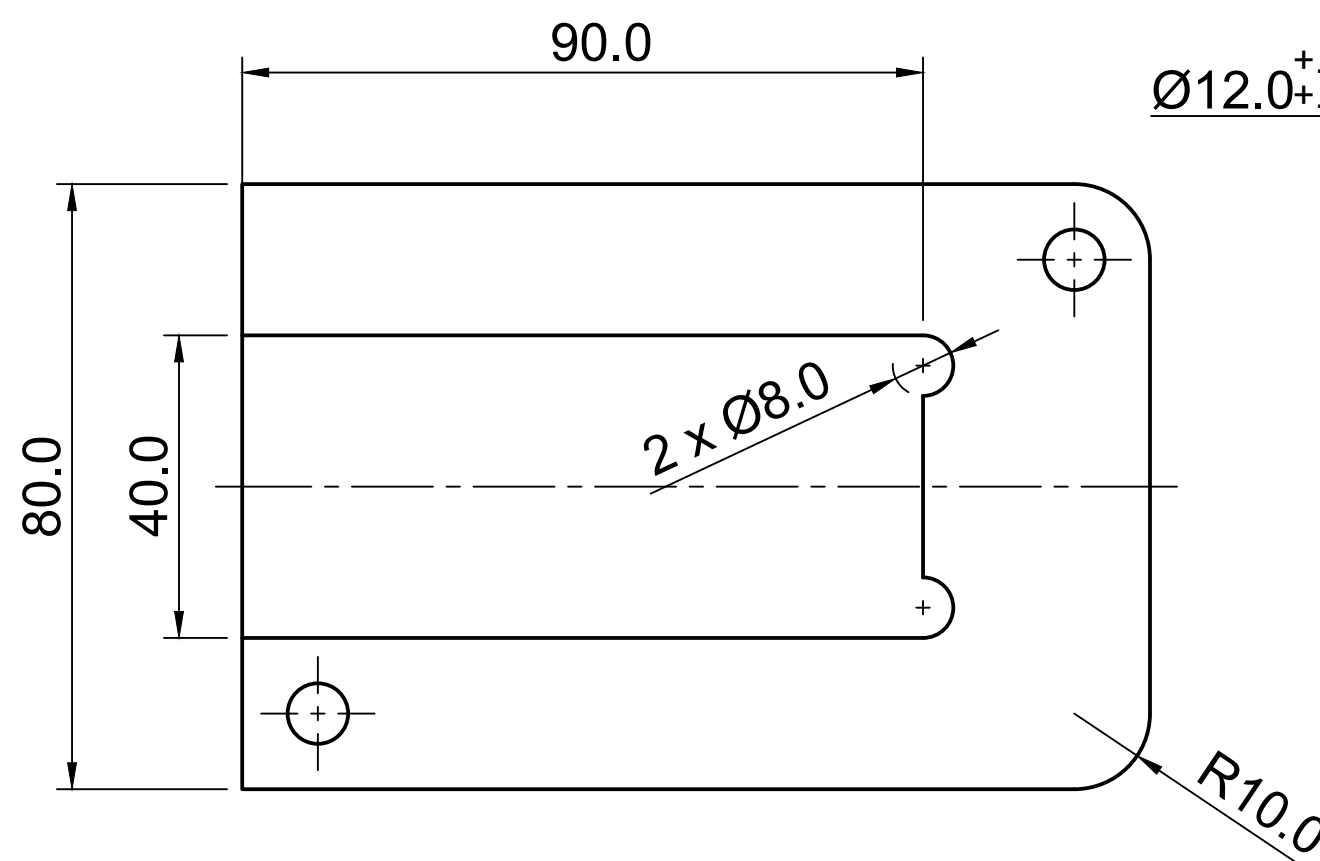
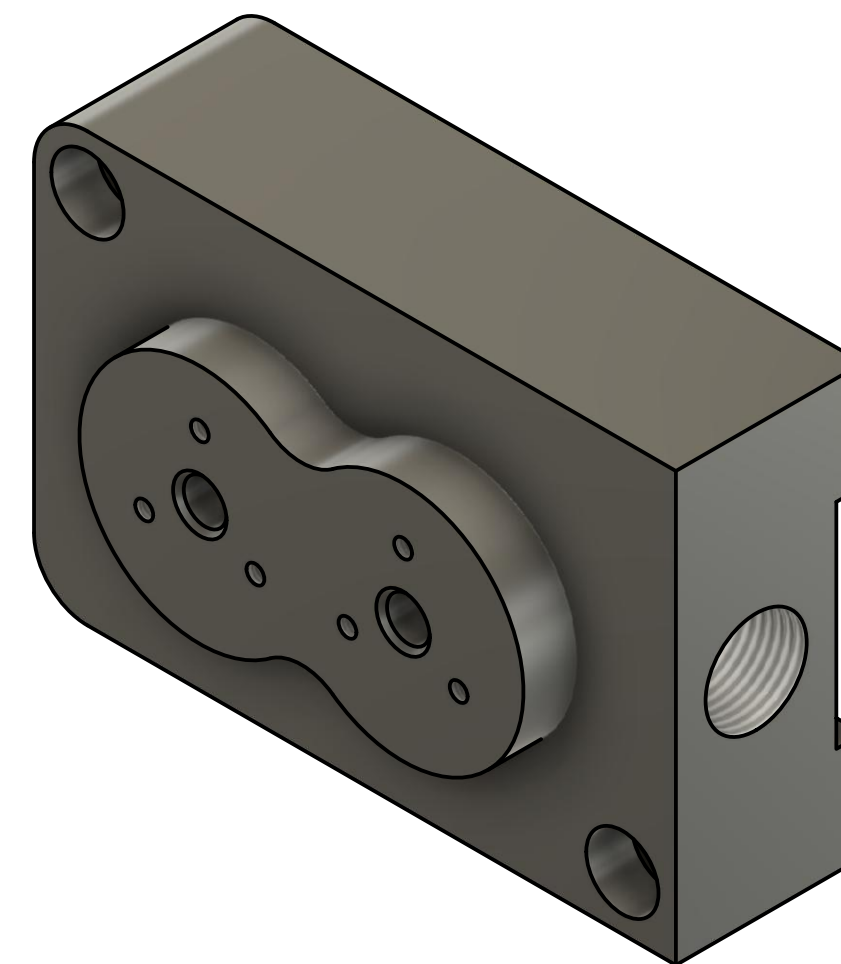
2 x Ø8.1 ± 0.1  
 10.0 x 90°

6 x Ø3.3 ∇ 12.0  
 M4 - 6H ∇ 8.0

B-B (1:1)



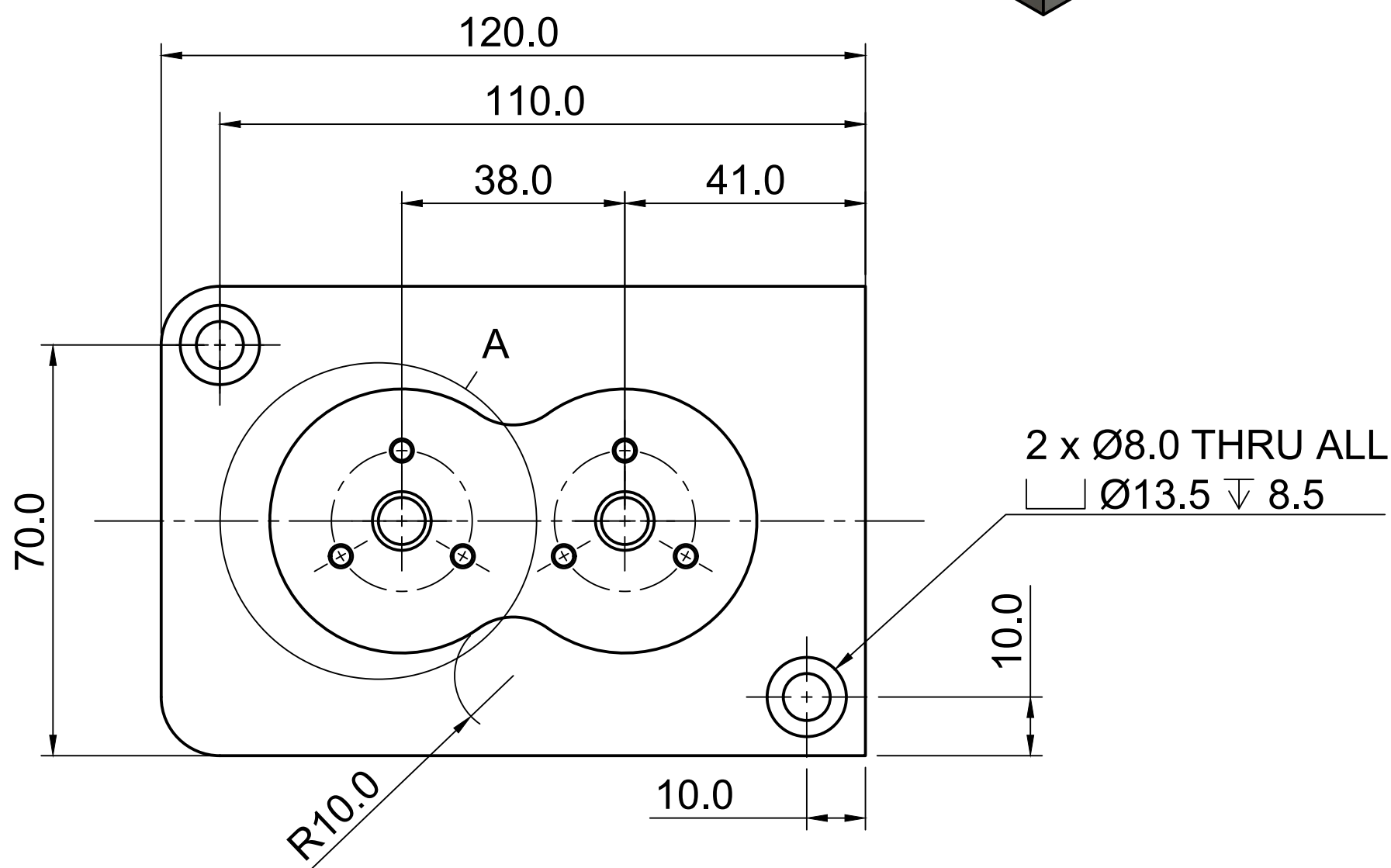
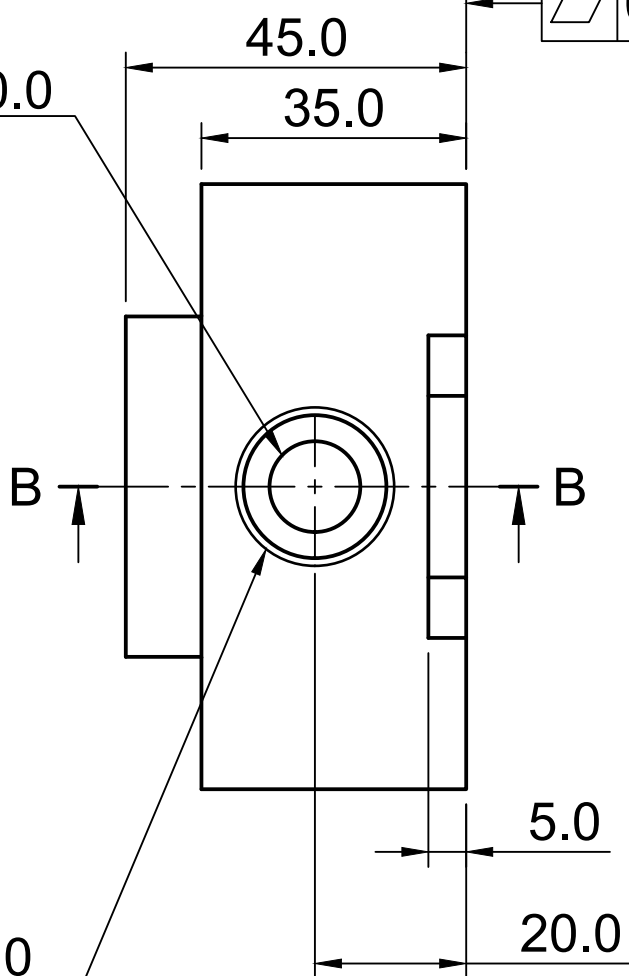
Isometric View (1:1)



Ø12.0<sup>+3</sup> ∇ 100.0

Ø18.63 ∇ 18.0  
 G1/2" - 6H ∇ 18.0

0.01



2 x Ø8.0 THRU ALL  
 Ø13.5 ∇ 8.5

NOTES, UNLESS SPECIFIED OTHERWISE

1. ALL UNITS ARE IN MM
2. BREAK ALL SHARP EDGES
3. SURFACE ROUGHNESS Ra 1.6 µm OR BETTER

Scale 1:1

Material:	Al 6061	Dept.	3D Hubs	Technical reference	110-B	Created by	Alkaios	06/03/2018	Approved by	Ben	08/03/2018
Color:	N.A.	1st Angle Proj.		Title		Liquid mixer		Document status		1	
Finish:	As-machined	3		Date of issue		06/03/2018		DWG No.		1	
Drawing & Tolerancing Standard:	ISO 2768-1	1		Sheet		1/1					