

MICRO SWITCH TOGGLE SWITCHES

Honeywell MICRO SWITCH toggle switches are an optimal operator interface for aerospace, industrial, and transportation applications. They are reliable, durable, and high performance switches that enhance productivity and safety.

STRATEGIC MARKETS SERVED



Commercial & Military Aerospace



Military Ground Vehicles



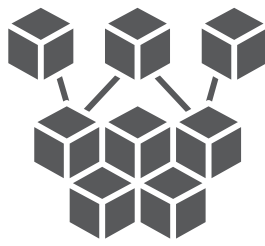
Scissor & Platform Lifts



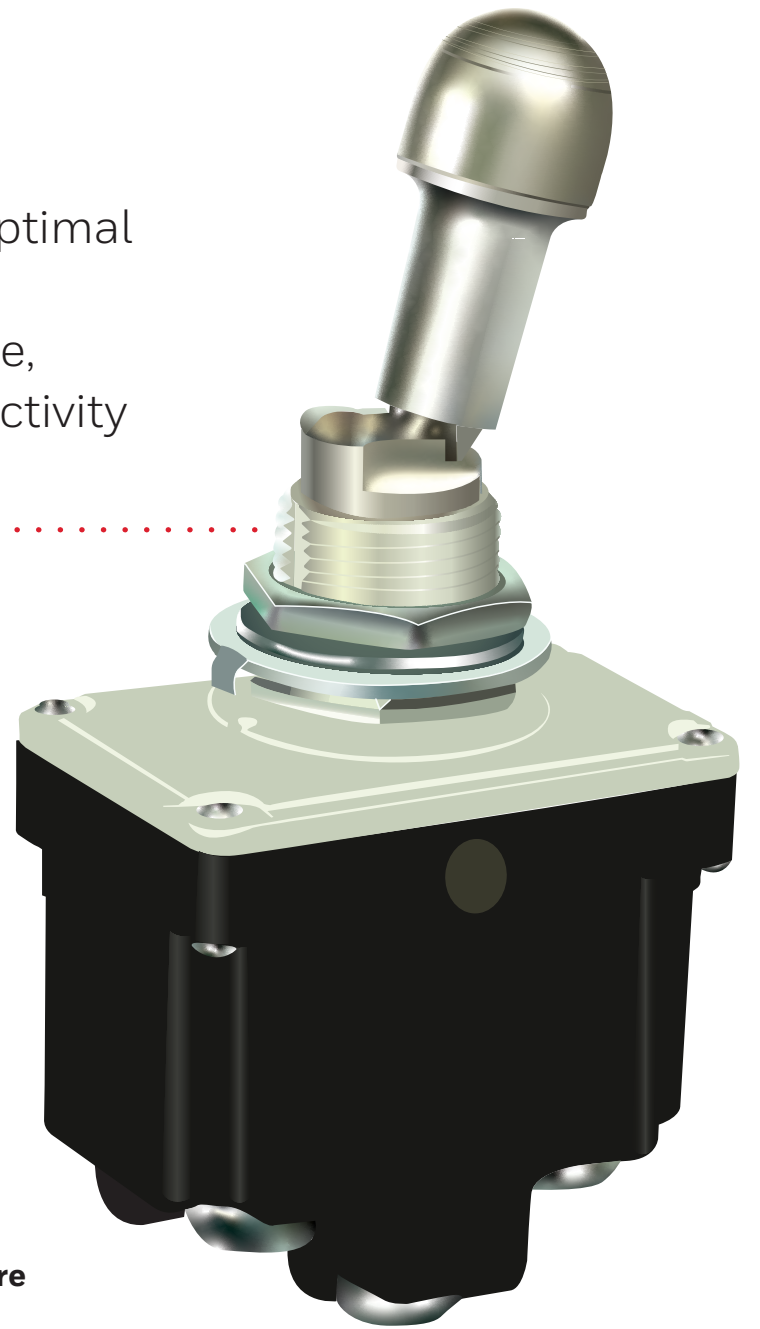
Construction Machinery



Cockpit Controls



MICRO SWITCH toggles are highly configurable



MICRO SWITCH TOGGLE SWITCH PRODUCT DIFFERENTIATORS



NT SERIES

- Commercial-grade toggle switch
- IP67/68 NEMA 3, 3R, 4, 13
- 1, 2 and 4 pole options
- Up to 20 A
- Step- and flat-base options



TL SERIES

- Military-grade toggle switch
- MIL-DTL-3950
- Up to 20 A
- Environment-proof sealing



TW SERIES

- Miniature toggle
- MIL-DTL-83781
- 1 and 2 pole options
- Sealed bushing versions



AT SERIES

- MIL-PRF-8805/26, /98
- Up to 10PDT
- Short behind-the-panel depth
- Optional panel seals and lever-to-bushing seals



ET SERIES

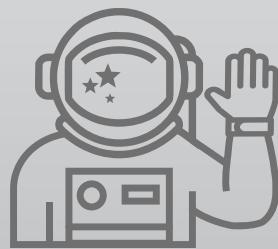
- Magnetically held toggle
- SAE-AS5941
- Screw, lead wire, & turret terminations

TOGGLE SWITCH ADVANTAGES

- Very robust - can withstand significant wear
- Ergonomic design with simplistic visual & tactile feedback
- Rated to support broad current switching requirements
- Designed to tolerate shock, vibration and severe environments

TERMINATION OPTIONS

- Screw terminals – wrap wire directly or use in conjunction with crimped (lead wire) terminal types
- Quick connect – quick plug-and-play spade
- Solder – fixed connection
- IWTS (Integrated Wire Termination System) – pin-socket interface for an internal anchored connection



MICRO SWITCH AT toggle switches are designed into the glove of astronauts' space suits, so on spacewalks they can activate the heater built into the suit.



Our toggle switches are capable of withstanding exposure to heavy accumulations of early morning dew that may condense on the control panels in cabs of vehicles left outdoors overnight.



MICRO SWITCH TW toggles offer a unique three-rib (grommet style) elastomer seal that protects the lead connections without potting



MICRO SWITCH toggle switches can be found in both pressurized and non-pressurized areas of a commercial aircraft, providing functionality, functionality and adaptability to temperature and pressure extremes, and adaptability to temperature extremes.

Most MICRO SWITCH toggles are suitable for global use.

