



US00D879223S

(12) **United States Design Patent**  
**Serrano**

(10) **Patent No.:** **US D879,223 S**

(45) **Date of Patent:** **\*\* Mar. 24, 2020**

(54) **GOLF CLUB HEAD**

(71) Applicant: **KARSTEN MANUFACTURING CORPORATION**, Phoenix, AZ (US)

(72) Inventor: **Anthony D. Serrano**, Anthem, AZ (US)

(73) Assignee: **Karsten Manufacturing Corporation**, Phoenix, AZ (US)

(\*\*) Term: **15 Years**

(21) Appl. No.: **29/668,692**

(22) Filed: **Nov. 1, 2018**

(51) **LOC (12) Cl.** ..... **21-02**

(52) **U.S. Cl.**  
USPC ..... **D21/742**

(58) **Field of Classification Search**  
USPC ..... D21/736-746, 759  
CPC ..... A63B 53/00; A63B 53/04; A63B 53/007;  
A63B 53/065; A63B 53/0487; A63B  
60/00; A63B 60/46  
See application file for complete search history.

(56) **References Cited**

**U.S. PATENT DOCUMENTS**

3,884,477	A	5/1975	Bianco	
4,030,766	A	6/1977	Derr	
D316,129	S	4/1991	Bryson	
D375,131	S *	10/1996	Williams	..... D21/743
5,685,784	A	11/1997	Butler	
D399,900	S	10/1998	Hogan	
D400,610	S	11/1998	Cameron	
D400,942	S	11/1998	Billings	
6,159,108	A	12/2000	De La Pena	
D445,860	S	7/2001	Mills	
D447,197	S	8/2001	Mills	
D455,805	S	4/2002	Mills	
6,379,259	B1	4/2002	Opie	

D461,514	S *	8/2002	Tang	..... D21/742
D461,861	S *	8/2002	Tang	..... D21/742
D474,253	S	5/2003	Mills	
D474,520	S	5/2003	Mills	
D488,200	S	4/2004	Olsavsky	
D488,529	S	4/2004	Souza	
D496,417	S	9/2004	Tang	
D500,109	S	12/2004	Solheim	
D500,110	S	12/2004	Solheim	
6,837,801	B1	1/2005	Souza	
6,878,071	B1	4/2005	Schweiger	
6,893,355	B2	5/2005	Souza	
6,902,496	B2	6/2005	Solheim	
D507,612	S	7/2005	Souza	
6,926,615	B1	8/2005	Souza	
6,960,140	B2	11/2005	Solheim	
6,966,845	B2	11/2005	Solheim	
D520,584	S	5/2006	Karlsen	
D521,582	S	5/2006	Souza	

(Continued)

*Primary Examiner* — Mitchell I. Siegel

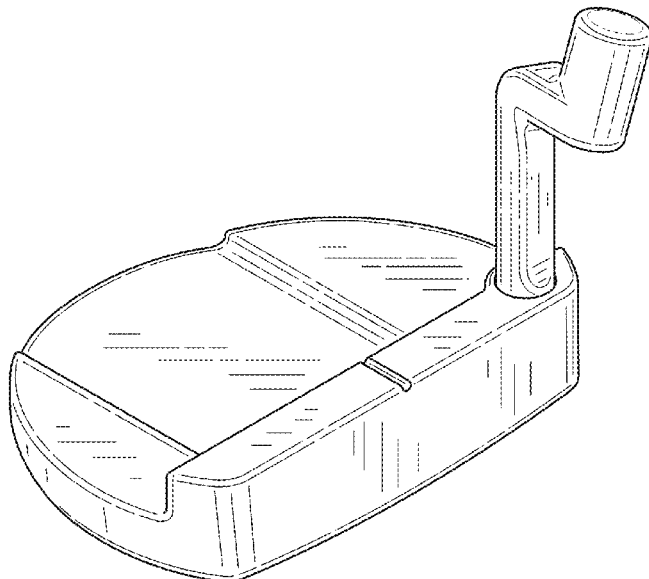
(57) **CLAIM**

The ornamental design for a golf club head, as shown and described.

**DESCRIPTION**

FIG. 1 is a top perspective view of a golf club head; FIG. 2 is a bottom perspective view of the golf club head of FIG. 1; FIG. 3 is a top view of the golf club head of FIG. 1; FIG. 4 is a bottom view of the golf club head of FIG. 1; FIG. 5 is a front view of the golf club head of FIG. 1; FIG. 6 is a rear view of the golf club head of FIG. 1; FIG. 7 is a heel side view of the golf club head of FIG. 1; and, FIG. 8 is a toe side view of the golf club head of FIG. 1. The broken line showing is included for the purpose of illustrating unclaimed subject matter and forms no part of the claimed design.

**1 Claim, 4 Drawing Sheets**



(56)

References Cited

U.S. PATENT DOCUMENTS

7,052,411	B2	5/2006	Solheim	7,803,066	B2	9/2010	Solheim	
D522,598	S	6/2006	Solheim	D634,801	S	3/2011	Rollinson	
7,077,758	B2	7/2006	Rohrer	D638,891	S	5/2011	Nicolette	
7,086,957	B2	8/2006	Solheim	D640,341	S	6/2011	Foster	
D527,777	S	9/2006	Solheim	D643,080	S	8/2011	Serrano	
D529,108	S	9/2006	Stites	D643,485	S	8/2011	Nicolette	
D532,468	S	11/2006	Hettinger	D643,486	S	8/2011	Serrano	
D532,847	S	11/2006	Rollinson	D643,487	S	8/2011	Serrano	
D533,243	S	12/2006	Fife	D648,408	S	11/2011	Teramoto	
7,235,021	B2	6/2007	Solheim	8,100,779	B2	1/2012	Solheim	
D548,295	S	8/2007	Jertson	D653,718	S	2/2012	Stokke	D21/743
7,255,650	B2	8/2007	Bryant	8,109,838	B2	2/2012	Solheim	
D552,197	S	10/2007	Wells	D664,617	S	7/2012	Serrano	
D565,137	S	3/2008	Oldknow	D691,681	S	10/2013	Hilton	
D569,460	S	5/2008	Walker	D715,388	S	10/2014	Serrano	D21/743
D569,462	S	5/2008	Rollinson	D723,641	S	3/2015	Serrano	
D571,879	S	6/2008	Jones et al.	D735,283	S	7/2015	Solheim	
D574,907	S	8/2008	Jones et al.	D741,427	S	10/2015	Broom	
D581,473	S	11/2008	Thomas	D750,186	S	2/2016	Schweigert	D21/746
D583,003	S	12/2008	Solheim	D754,805	S	4/2016	Serrano	
D587,325	S	2/2009	Solheim	D759,173	S	6/2016	Rollinson	
D590,463	S	4/2009	Hettinger	D774,607	S	12/2016	Serrano	D21/743
D591,806	S	5/2009	Cameron	D774,610	S	12/2016	Serrano	D21/744
D594,073	S	6/2009	Kadoya	D779,006	S	2/2017	Abbott	
D595,372	S	6/2009	Rollinson	D783,745	S	4/2017	Chen	D21/743
D600,760	S	9/2009	Serrano	D793,502	S	8/2017	Cardani	D21/743
D600,761	S	9/2009	Solheim	D827,064	S	8/2018	Wypych	D21/743
D600,762	S	9/2009	Serrano	D840,482	S	2/2019	Serrano	D21/736
D603,007	S	10/2009	Franklin	D842,952	S	3/2019	Schweigert	D21/743
D607,950	S	1/2010	Souza	D848,562	S	5/2019	Nicolette	D21/736
D621,458	S	8/2010	Serrano	D861,092	S	9/2019	Glorioso	D21/743
D621,460	S	8/2010	Serrano	D864,325	S	10/2019	Rollinson	D21/743
D621,461	S	8/2010	Serrano	2005/0170904	A1	8/2005	Smeeth	
D621,462	S	8/2010	Serrano	2006/0094533	A1	5/2006	Warren	
D621,891	S	8/2010	Serrano	2006/0166755	A1	7/2006	Brown	
				2007/0191135	A1	8/2007	Nilsson	
				2010/0227704	A1	9/2010	Souza	

\* cited by examiner

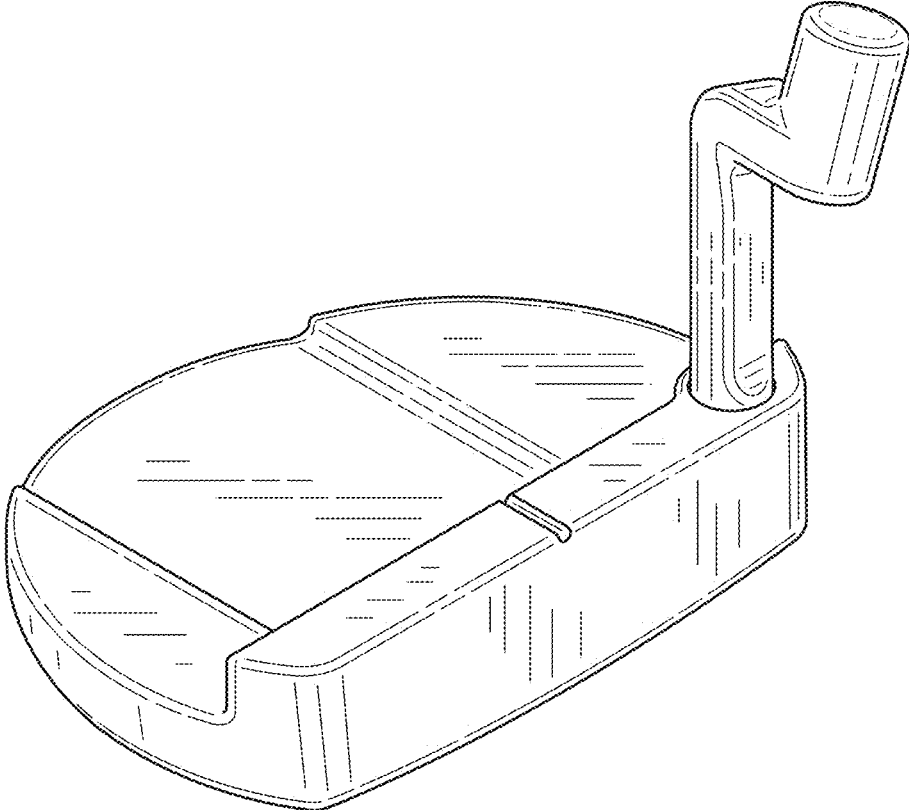


FIG. 1

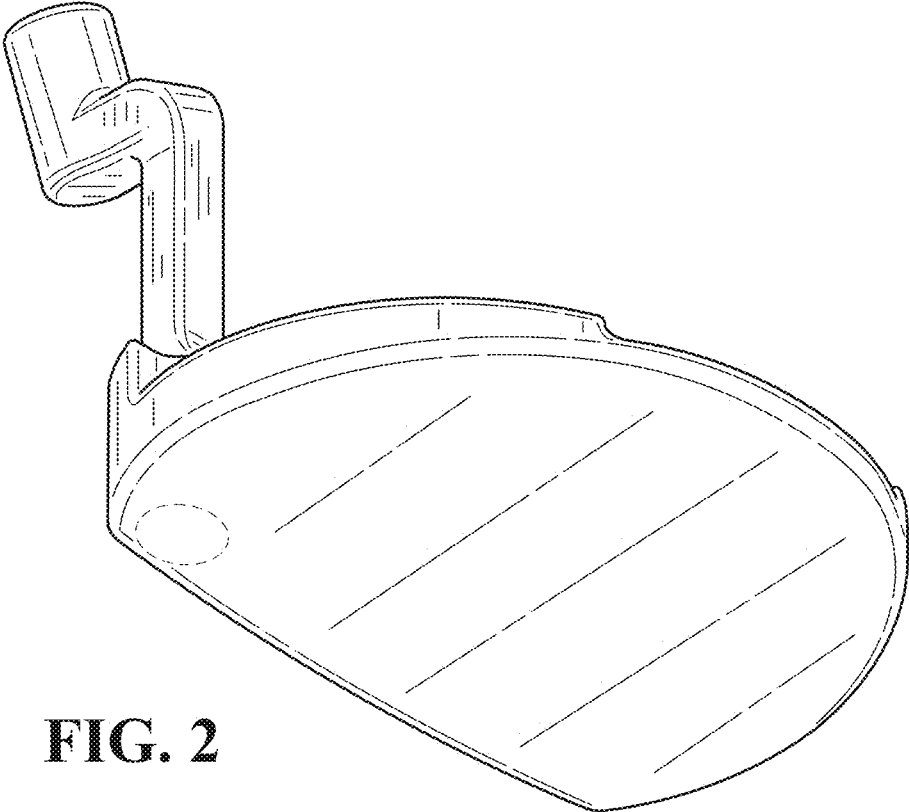
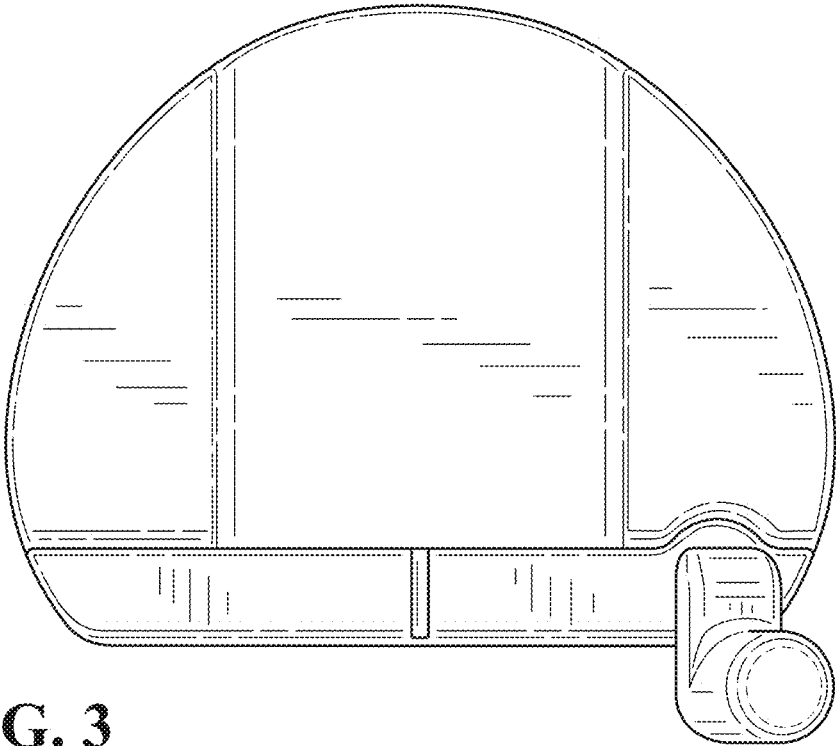
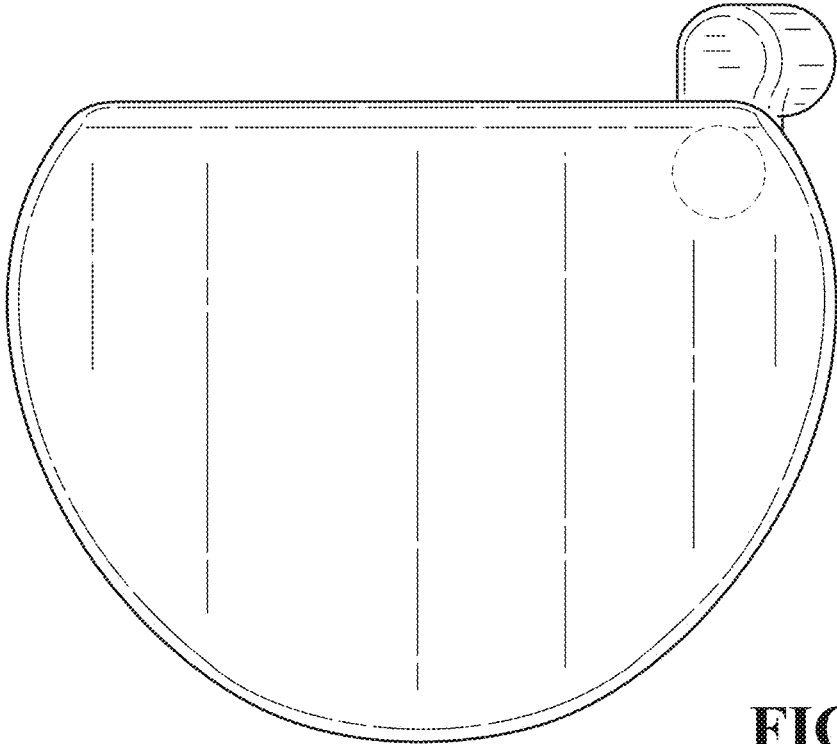


FIG. 2



**FIG. 3**



**FIG. 4**

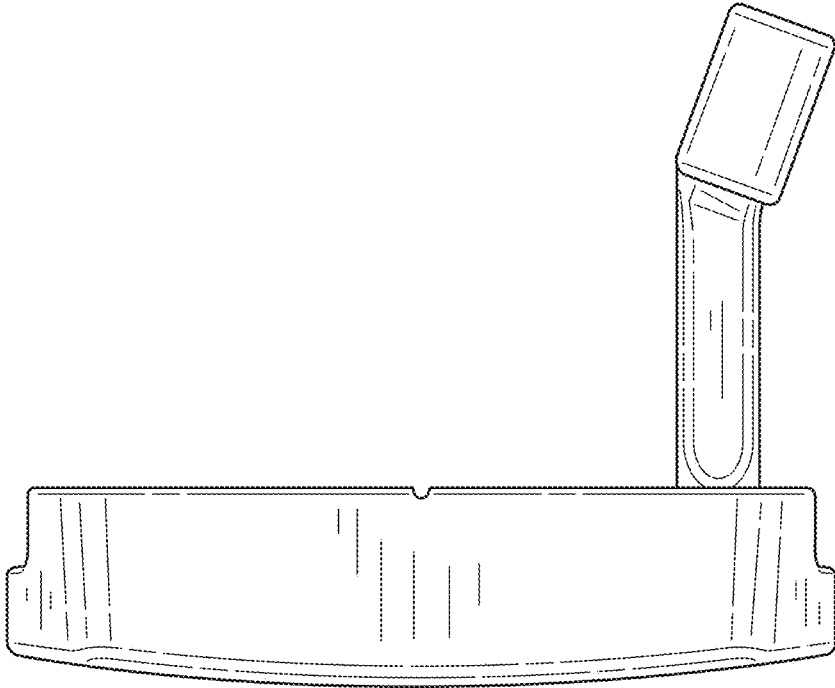


FIG. 5

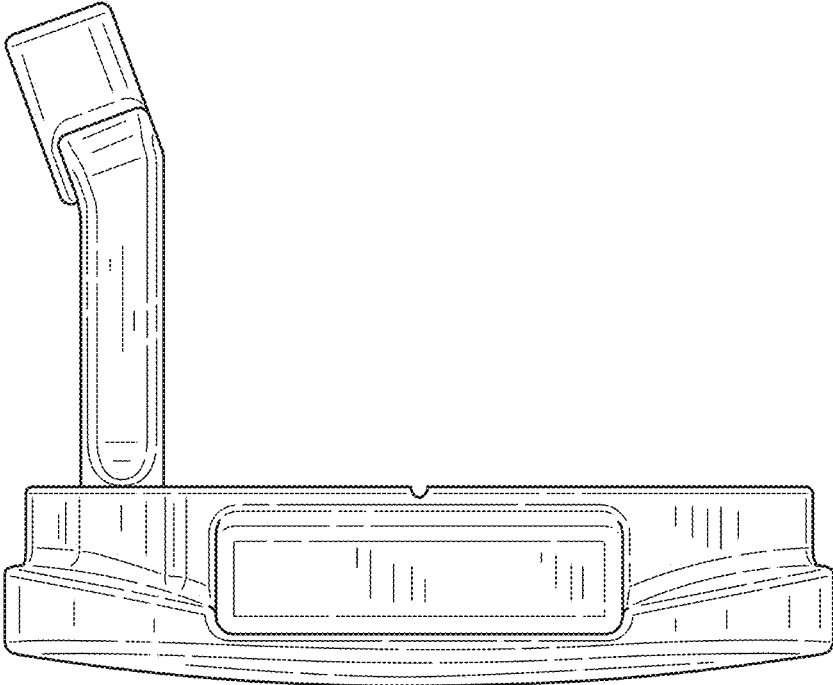
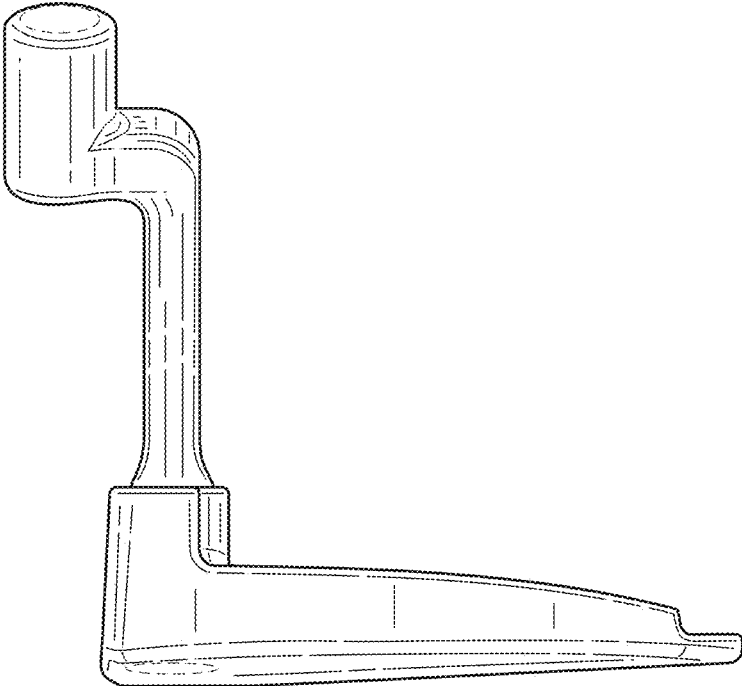
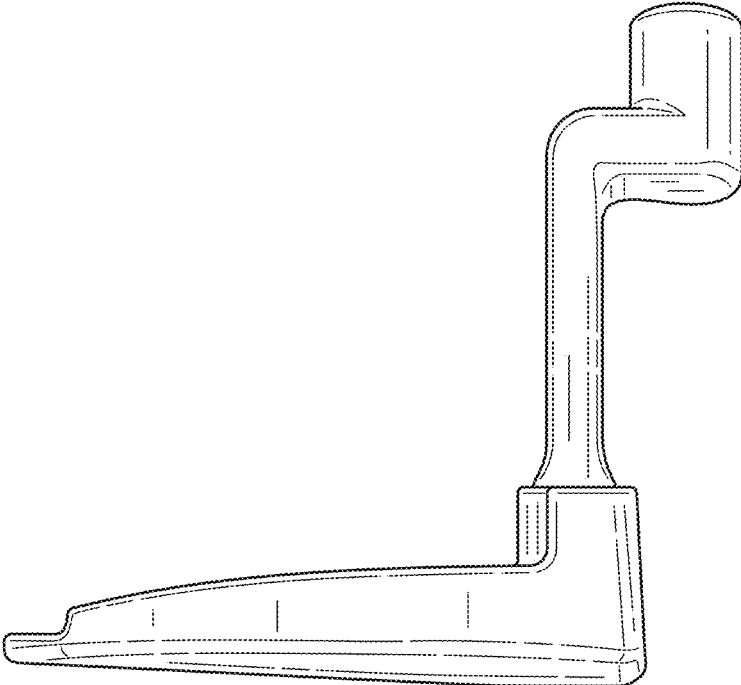


FIG. 6



**FIG. 7**



**FIG. 8**