

US00D397231S

# United States Patent [19]

[11] Patent Number: Des. 397,231

Saxer

[45] Date of Patent: \*\*Aug. 18, 1998

[54] **SWIMMING POOL COPING HAVING A FACIA WITH A COMPOUND CURVATURE**

3,427,663 2/1969 O'Connell et al. .... D25/41  
5,107,551 4/1992 Weir et al. .... 4/506

[75] Inventor: **Timothy M. Saxer**, Fort Wayne, Ind.

*Primary Examiner*—Doris Clark  
*Attorney, Agent, or Firm*—Taylor & Associates, P.C.

[73] Assignee: **Fort Wayne Pools, Inc.**, Fort Wayne, Ind.

[57] **CLAIM**

[\*\*] Term: **14 Years**

The ornamental design for a swimming pool coping having a facia with a compound curvature, as shown and described.

[21] Appl. No.: **76,939**

**DESCRIPTION**

[22] Filed: **Sep. 16, 1997**

FIG. 1 is a perspective view of a swimming pool coping having a facia with a compound curvature showing my new design;

[51] LOC (6) Cl. .... **25-01**

[52] U.S. Cl. .... **D25/119; D25/2**

[58] Field of Search ..... D25/199, 136,  
D25/119, 2, 41; 52/102, 300; 4/496, 506-507,  
510-511

FIG. 2 is a front view thereof;

FIG. 3 is a rear view thereof;

FIG. 4 is an end view thereof, the opposite end view being substantially identical;

FIG. 5 is a top view thereof; and,

FIG. 6 is a bottom view thereof.

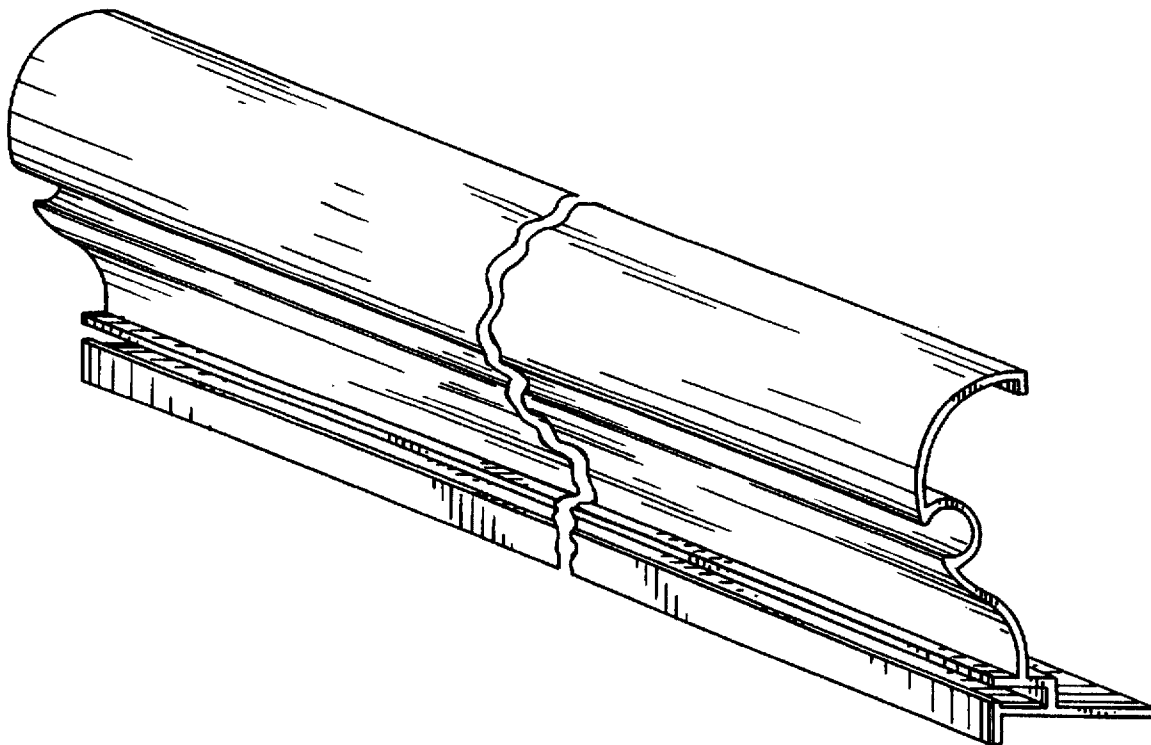
The claimed design is broken in the center to indicate indeterminate length.

[56] **References Cited**

**U.S. PATENT DOCUMENTS**

- D. 141,051 5/1945 Ketchum, Jr. .... D25/119
- D. 258,538 3/1981 Cribben et al. .... D25/2
- 3,310,814 3/1967 Lipman ..... 52/102

**1 Claim, 2 Drawing Sheets**



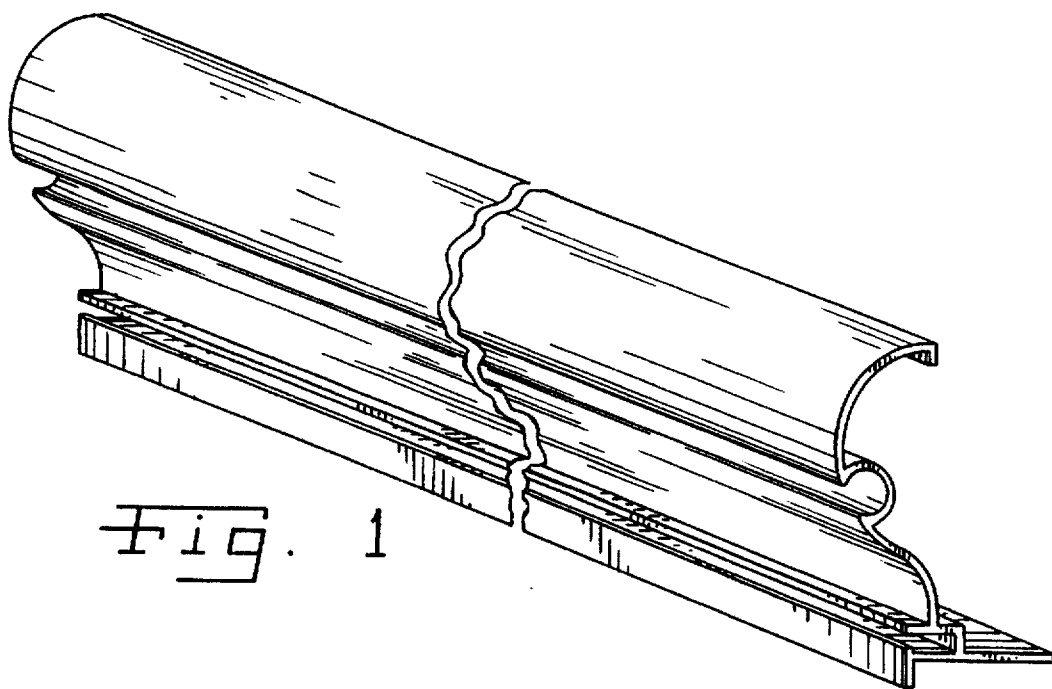


Fig. 1

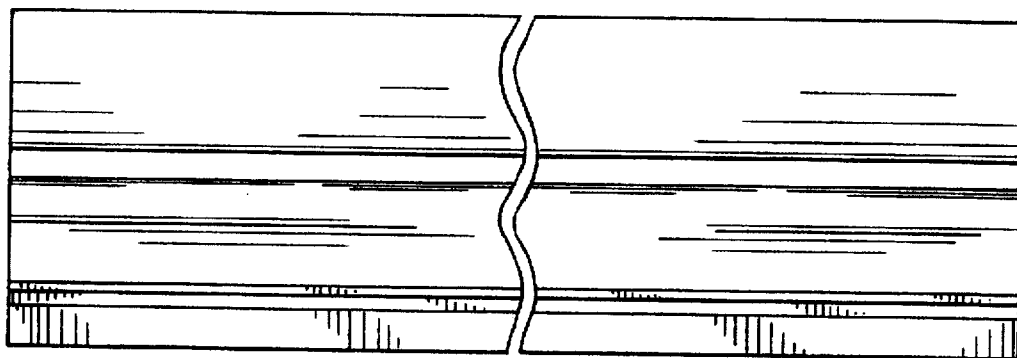


Fig. 2

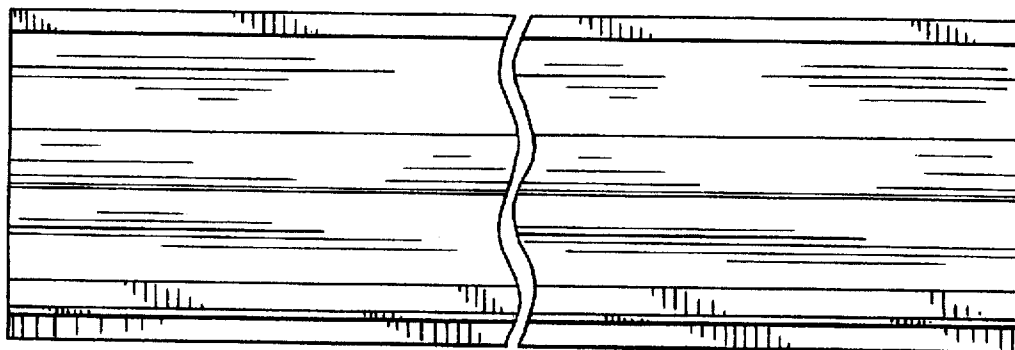


Fig. 3

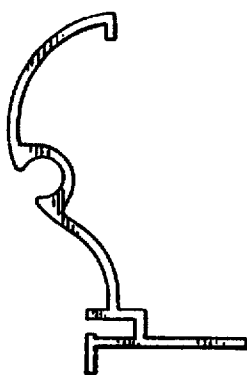


Fig. 4

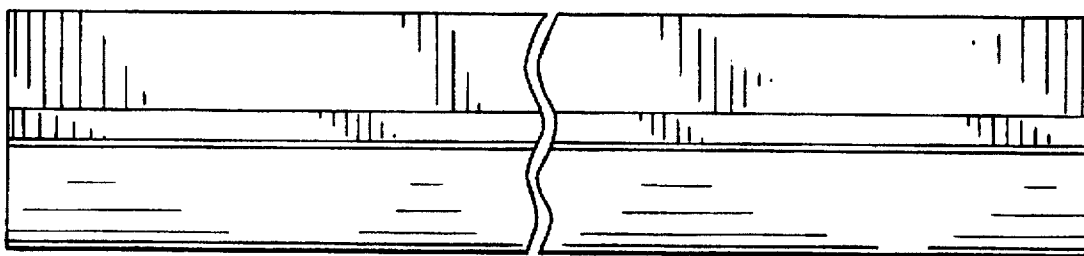


Fig. 5

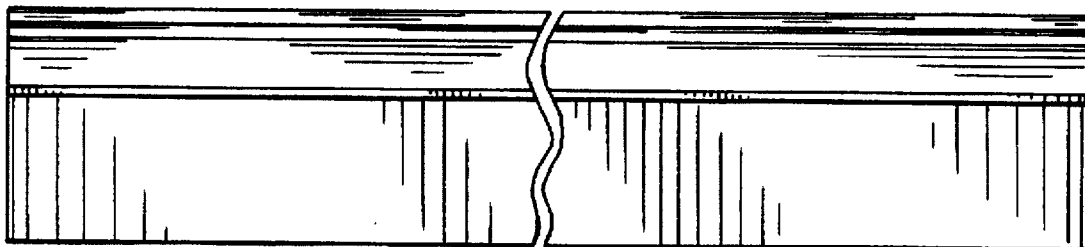


Fig. 6