



US00D822178S

(12) **United States Design Patent** (10) **Patent No.:** **US D822,178 S**
Clarke et al. (45) **Date of Patent:** **** Jul. 3, 2018**

- (54) **FAUCET HANDLE**
- (71) Applicant: **Kohler Co.**, Kohler, WI (US)
- (72) Inventors: **Gary N. Clarke**, Sheboygan, WI (US);
Brian M. Kaule, Yardley, PA (US)
- (73) Assignee: **KOHLER CO.**, Kohler, WI (US)
- (**) Term: **15 Years**
- (21) Appl. No.: **29/622,558**
- (22) Filed: **Oct. 18, 2017**

| | | | |
|--------------|---------|--------------------|---------|
| D576,710 S | 9/2008 | Fritz | |
| D583,021 S | 12/2008 | Downey | |
| D594,532 S | 6/2009 | Schoenherr | |
| D622,819 S | 8/2010 | Tippens et al. | |
| D630,712 S | 1/2011 | Tippens et al. | |
| D648,002 S * | 11/2011 | Jones | D23/252 |
| D651,692 S * | 1/2012 | Vanderheyden | D23/252 |
| D683,428 S | 5/2013 | Kwok | |
| D683,429 S | 5/2013 | Kwok | |
| D683,821 S | 6/2013 | Reuter | |
| D704,027 S | 5/2014 | Trunek | |
| D713,508 S | 9/2014 | Downey | |
| D717,401 S | 11/2014 | Fritz | |
| D721,164 S | 1/2015 | Georgeson | |
| D786,404 S * | 5/2017 | Kaule | D23/238 |
| D797,247 S * | 9/2017 | Zhang | D23/242 |

* cited by examiner

Related U.S. Application Data

- (62) Division of application No. 29/603,056, filed on May 5, 2017, now Pat. No. Des. 803,990, which is a division of application No. 29/542,967, filed on Oct. 20, 2015, now Pat. No. Des. 786,407.
- (51) **LOC (11) Cl.** **23-01**
- (52) **U.S. Cl.**
USPC **D23/250**
- (58) **Field of Classification Search**
USPC D23/238-243, 249-250, 252, 254;
D8/307-308
CPC Y10T 137/9464
See application file for complete search history.

Primary Examiner — Robert A Delehanty
(74) *Attorney, Agent, or Firm* — Foley & Lardner LLP

(57) **CLAIM**

We claim the ornamental design for a faucet handle, as shown and described.

DESCRIPTION

FIG. 1 is a top, front, left perspective view of an embodiment of the claimed design;
 FIG. 2 is a front elevation view thereof;
 FIG. 3 is a rear elevation view thereof;
 FIG. 4 is a right side elevation view thereof;
 FIG. 5 is a left side elevation view thereof;
 FIG. 6 is a top plan view thereof; and,
 FIG. 7 is a bottom plan view thereof.

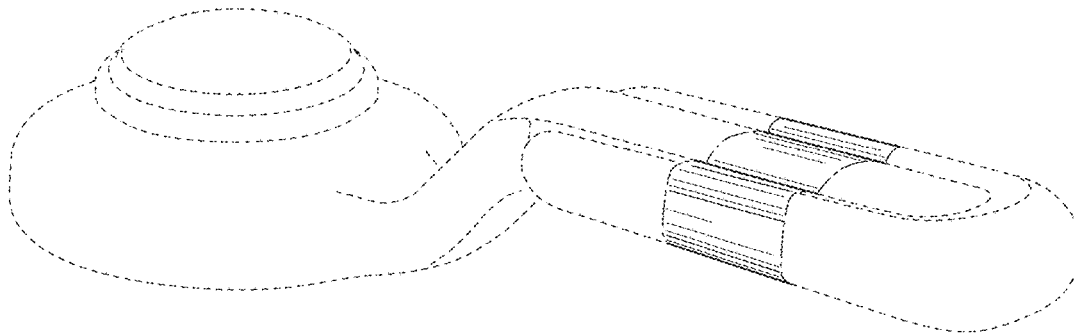
The ornamental design which is claimed is shown in solid lines in the drawings. The broken lines in the drawings form no part of the claimed design. Broken lines formed by equal length dashes show unclaimed subject matter. Broken lines formed of unequal length dashes (i.e., dash-dot) define bounds of the claimed design.

1 Claim, 7 Drawing Sheets

(56) **References Cited**

U.S. PATENT DOCUMENTS

| | | | |
|--------------|---------|-----------------|---------|
| D346,205 S | 4/1994 | Sauter | |
| D407,144 S | 3/1999 | Formgren | |
| D444,860 S | 7/2001 | Slothower | |
| D512,126 S * | 11/2005 | Blomstrom | D23/241 |
| D528,838 S | 9/2006 | Berberet | |
| D532,486 S | 11/2006 | Barry | |
| D535,359 S | 1/2007 | Koury | |
| D570,449 S | 6/2008 | Lee | |
| D571,897 S | 6/2008 | Hanna | |



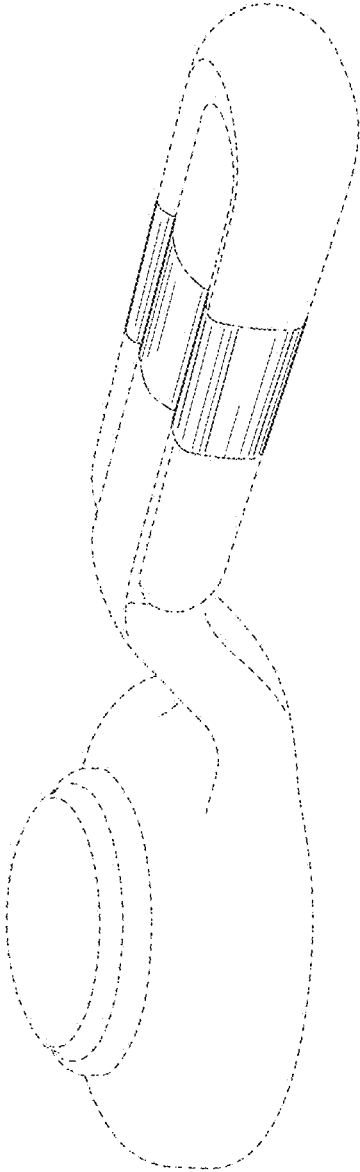


FIG. 1

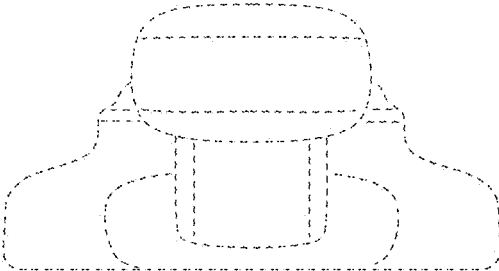


FIG. 2

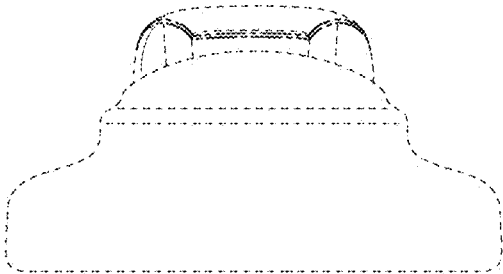


FIG. 3

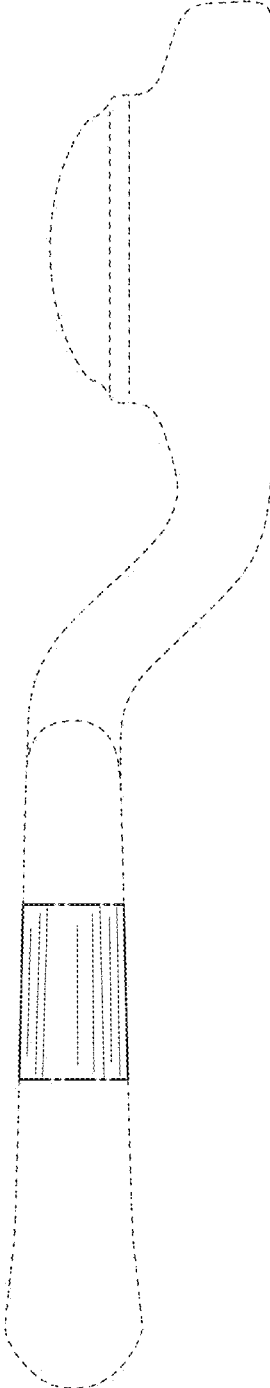


FIG. 4

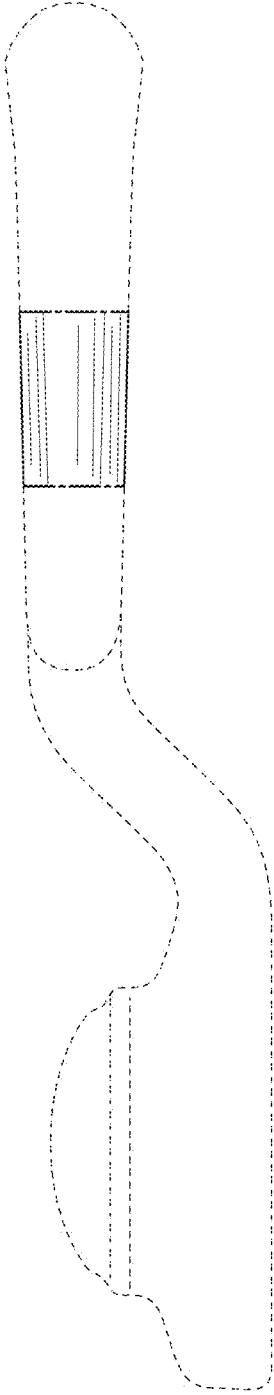


FIG. 5

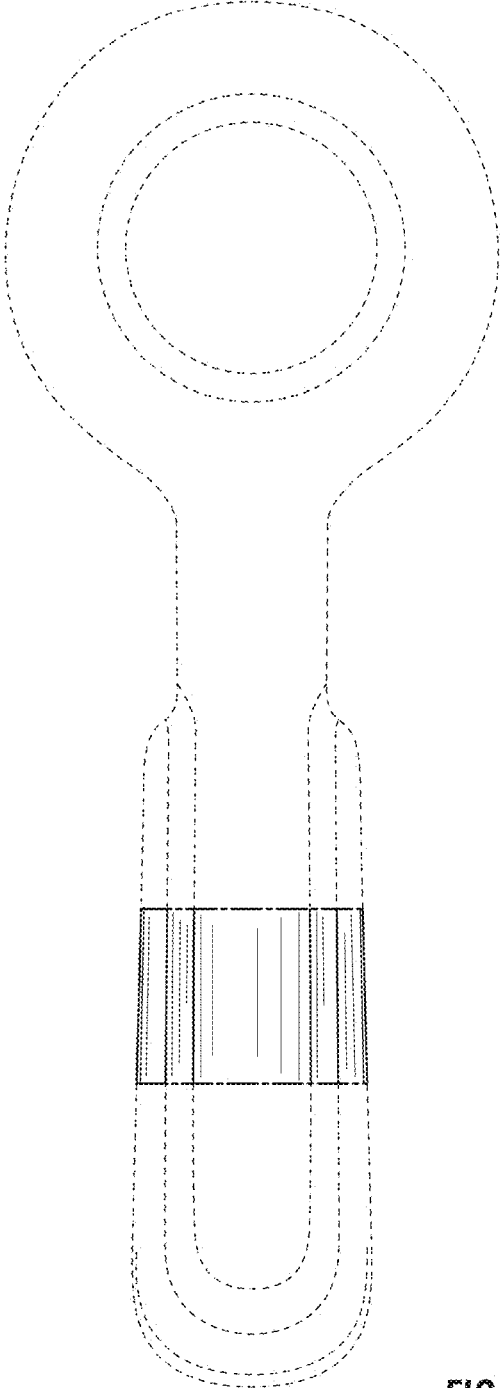


FIG. 6

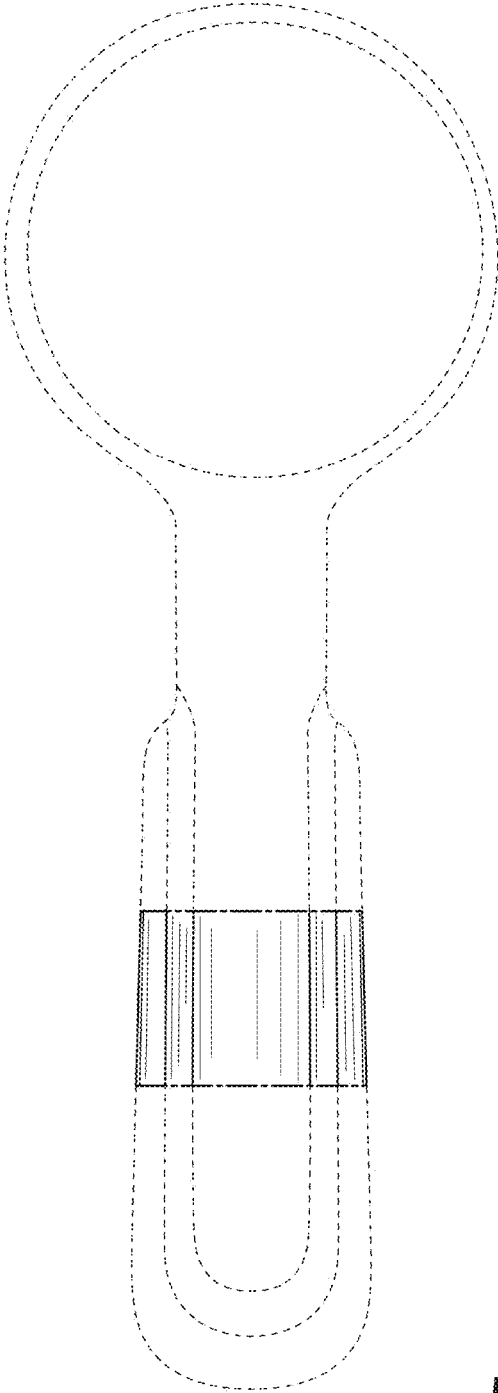


FIG. 7