



US00D720850S

(12) **United States Design Patent**
Hsia et al.

(10) **Patent No.:** **US D720,850 S**

(45) **Date of Patent:** **** Jan. 6, 2015**

(54) **CATHETER HUB**

(71) Applicants: **Alex Hsia**, San Jose, CA (US); **Erhan H. Gunday**, Great Neck, NY (US); **Lawrence J. Gerrans**, San Anselmo, CA (US)

(72) Inventors: **Alex Hsia**, San Jose, CA (US); **Erhan H. Gunday**, Great Neck, NY (US); **Lawrence J. Gerrans**, San Anselmo, CA (US)

(73) Assignee: **Sanovas, Inc.**, San Rafael, CA (US)

(**) Term: **14 Years**

(21) Appl. No.: **29/449,758**

(22) Filed: **Mar. 15, 2013**

(51) **LOC (10) Cl.** **24-02**

(52) **U.S. Cl.**
USPC **D24/130**

(58) **Field of Classification Search**
CPC A61F 2/958; A61M 25/00; A61M 27/00;
A61M 25/0043; A61M 25/0097
USPC D24/112-114, 129, 130, 127, 133, 186,
D24/108; 606/181, 185; 604/264, 500, 506,
604/509, 272, 115, 164.01-164.09, 533,
604/232, 187, 168.01, 192, 19, 48, 93.01,
604/523, 524, 526; 600/101, 139, 143;
128/200.24, 207.14, 207.15
See application file for complete search history.

(56) **References Cited**

U.S. PATENT DOCUMENTS

| | | | | | | |
|-----------|---|---|--------|---------------|-------|------------|
| D313,849 | S | * | 1/1991 | Robinson | | D24/129 |
| 5,090,959 | A | | 2/1992 | Samson et al. | | |
| 5,181,508 | A | * | 1/1993 | Poole, Jr. | | 128/207.14 |
| 5,316,016 | A | | 5/1994 | Adams et al. | | |
| 5,749,848 | A | | 5/1998 | Jang et al. | | |

| | | | | | | |
|--------------|----|---|---------|------------------|-------|------------|
| 5,846,246 | A | * | 12/1998 | Dirks et al. | | 606/194 |
| 5,938,671 | A | * | 8/1999 | Katoh et al. | | 606/185 |
| 5,967,984 | A | | 10/1999 | Chu et al. | | |
| 5,976,153 | A | * | 11/1999 | Fischell et al. | | 606/194 |
| 5,980,531 | A | * | 11/1999 | Goodin et al. | | 604/101.01 |
| 6,190,393 | B1 | * | 2/2001 | Bevier et al. | | 604/96.01 |
| 6,254,570 | B1 | * | 7/2001 | Rutner et al. | | 604/509 |
| 6,488,649 | B1 | * | 12/2002 | Lichten | | 606/185 |
| 6,761,732 | B2 | * | 7/2004 | Burkett et al. | | 623/1.11 |
| 6,989,024 | B2 | * | 1/2006 | Hebert et al. | | 604/264 |
| 6,997,943 | B2 | * | 2/2006 | Lee et al. | | 606/194 |
| 7,001,423 | B2 | * | 2/2006 | Euteneuer et al. | | 606/198 |
| 7,988,633 | B2 | | 8/2011 | Hossack et al. | | |
| 8,206,374 | B2 | | 6/2012 | Duane et al. | | |
| 8,226,601 | B2 | | 7/2012 | Gunday et al. | | |
| 2011/0152683 | A1 | | 6/2011 | Gerrans et al. | | |
| 2012/0238816 | A1 | | 9/2012 | Gunday et al. | | |

* cited by examiner

Primary Examiner — David Muller

(74) *Attorney, Agent, or Firm* — St. Onge Steward Johnston & Reens LLC

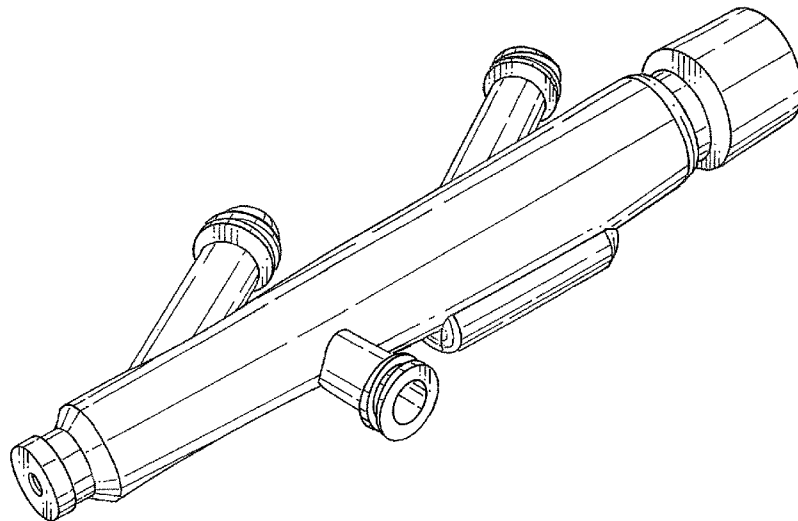
(57) **CLAIM**

The ornamental design for a catheter hub, as shown and described.

DESCRIPTION

FIG. 1 is a left front bottom isometric view of a catheter hub in accordance with the new design;
FIG. 2 is a top view thereof;
FIG. 3 is a bottom view thereof;
FIG. 4 is a left elevation view thereof;
FIG. 5 is a right elevation view thereof;
FIG. 6 is a front elevation view thereof;
FIG. 7 is a rear elevation view thereof; and,
FIG. 8 is a left front bottom isometric view with the strain relief and sealing mechanism attached.
The broken lines shown in FIGS. 2-4 and FIGS. 6-8 illustrate portions of the catheter hub that form no part of the claimed design.

1 Claim, 5 Drawing Sheets



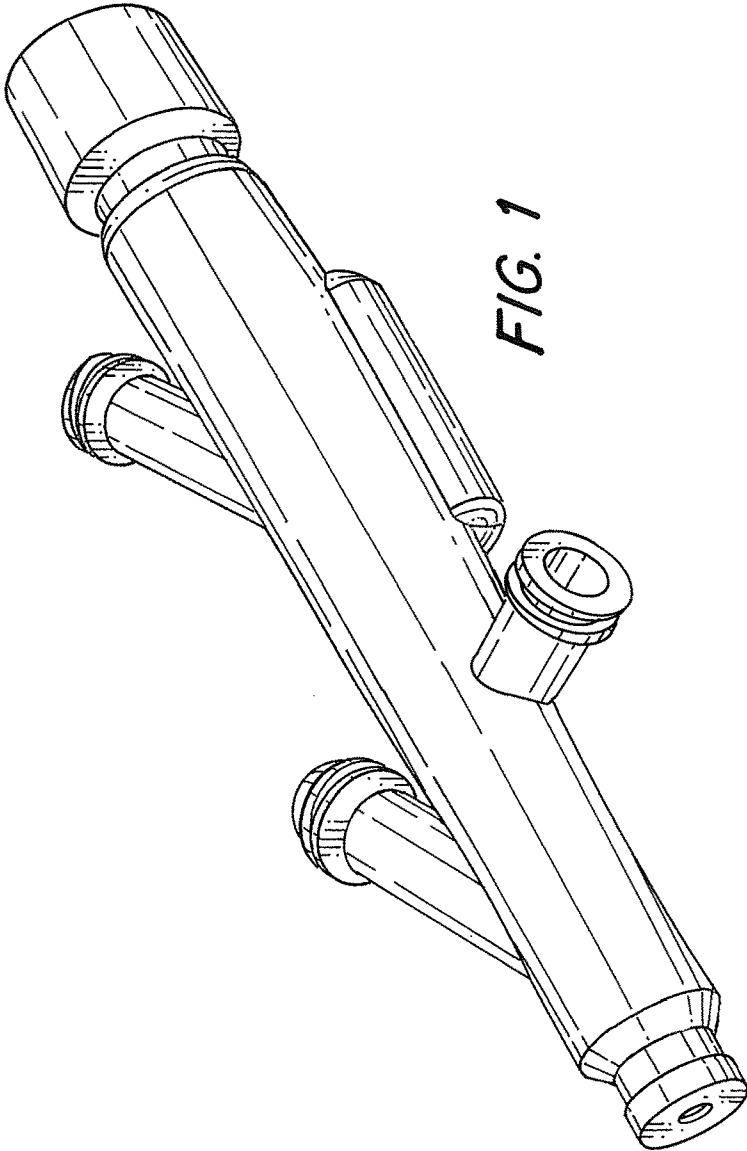


FIG. 1

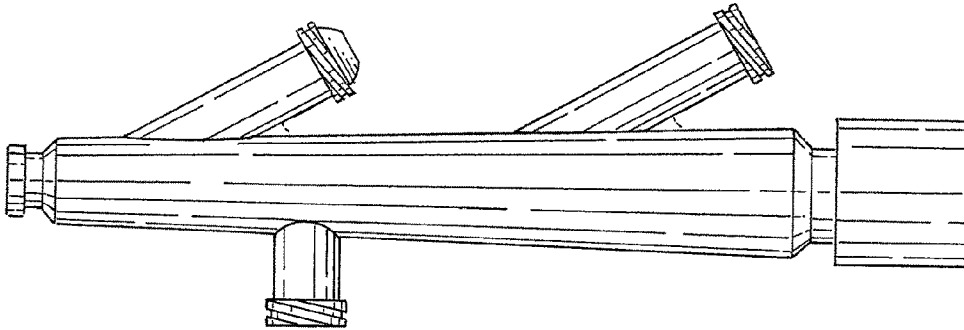


FIG. 2

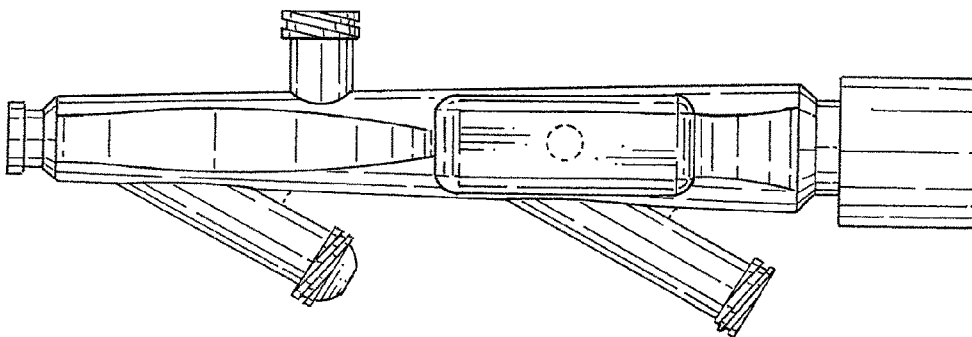


FIG. 3

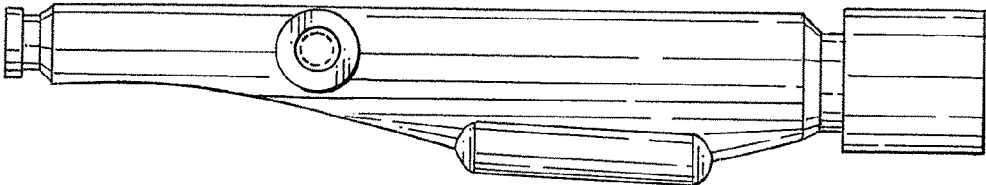


FIG. 4

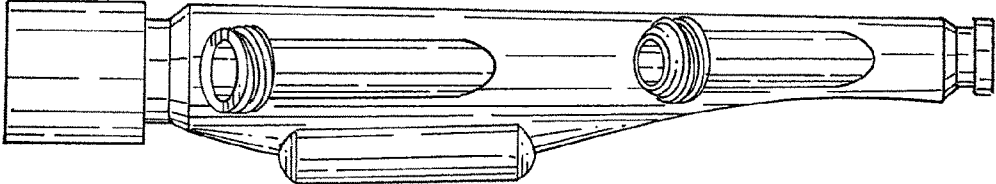


FIG. 5

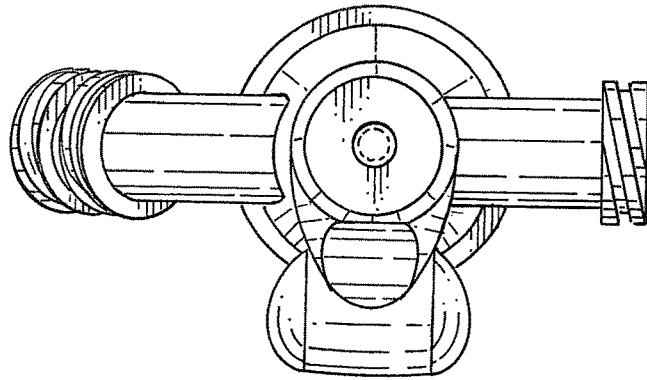


FIG. 6

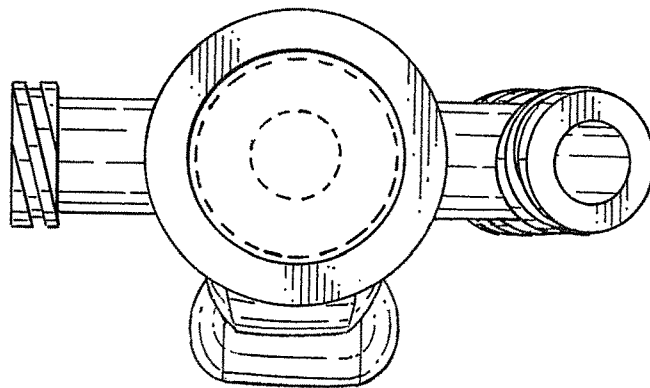


FIG. 7

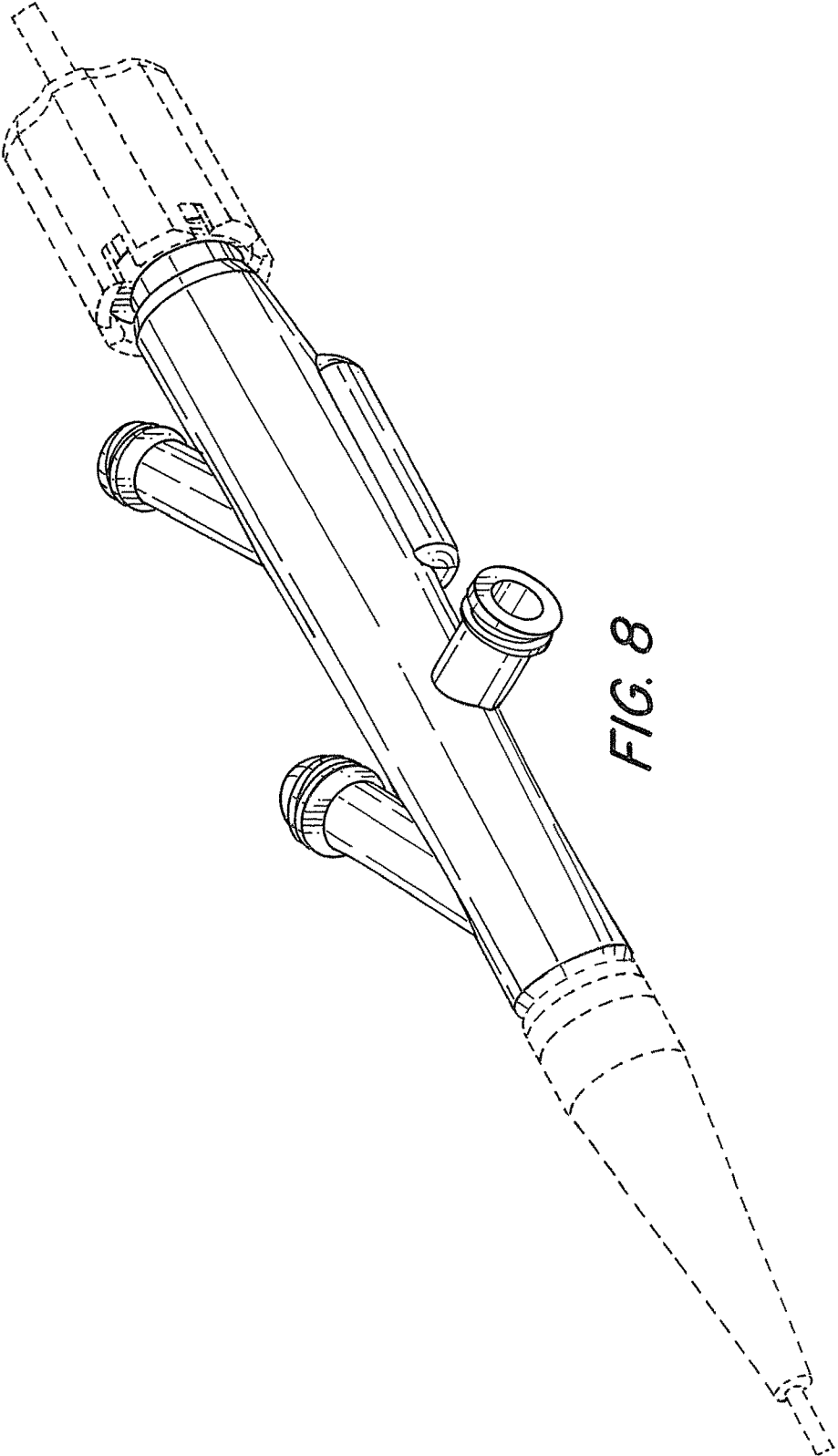


FIG. 8