



US00D590333S

(12) **United States Design Patent**  
**Price et al.**

(10) **Patent No.:** **US D590,333 S**

(45) **Date of Patent:** **\*\* Apr. 14, 2009**

(54) **BATTERY PACK**

(75) Inventors: **Scott David Price**, Lebanon, NJ (US);  
**Roger Davis**, Glenn Gardner, NJ (US)

(73) Assignee: **Ingersoll-Rand Company**, Montvale,  
NJ (US)

(\*\*) Term: **14 Years**

(21) Appl. No.: **29/260,703**

(22) Filed: **May 31, 2006**

(51) **LOC (9) Cl.** ..... **13-02**

(52) **U.S. Cl.** ..... **D13/103**

(58) **Field of Classification Search** ..... D13/102-106,  
D13/110, 118-119, 184; 429/96-100, 163,  
429/176

See application file for complete search history.

(56) **References Cited**

**U.S. PATENT DOCUMENTS**

2,469,857 A	5/1949	Allyn	
3,757,194 A	9/1973	Weber et al.	
4,032,806 A	6/1977	Seely	
4,447,749 A	5/1984	Reeb, Jr. et al.	
4,616,169 A	10/1986	Proffitt	
4,709,974 A	12/1987	Hawkins	
4,751,452 A	6/1988	Kilmer et al.	
4,779,687 A	10/1988	Schreiber et al.	
4,835,410 A	5/1989	Bhagwat et al.	
4,871,629 A	10/1989	Bunyea	
D304,822 S *	11/1989	Fushiya et al.	D13/103
D306,573 S *	3/1990	Schultz	D13/103
D306,574 S *	3/1990	Schultz	D13/103
D313,391 S *	1/1991	Pudwill	D13/103
D321,338 S *	11/1991	Sakamoto et al.	D13/103
5,089,738 A	2/1992	Bergqvist et al.	

D334,012 S *	3/1993	Chen	D13/103
5,213,913 A	5/1993	Anthony, III et al.	
D342,479 S *	12/1993	Kimata	D13/103
D350,111 S *	8/1994	Okumura	D13/103
D352,698 S *	11/1994	Okumura	D13/103
5,445,900 A	8/1995	Miller, Jr. et al.	
D368,067 S *	3/1996	Okumura	D13/103
5,553,675 A	9/1996	Pitzen et al.	

(Continued)

*Primary Examiner*—Jennifer Rivard  
*Assistant Examiner*—Rosemary K Tarcza  
(74) *Attorney, Agent, or Firm*—RatnerPrestia

(57) **CLAIM**

The ornamental design for a battery pack, as shown and described.

**DESCRIPTION**

FIG. 1 is a perspective view of a battery pack according to an embodiment of the present invention;

FIG. 2 is a right side view of the battery pack shown in FIG. 1;

FIG. 3 is a left side view of the battery pack shown in FIG. 1;

FIG. 4 is a top plan view of the battery pack shown in FIG. 1;

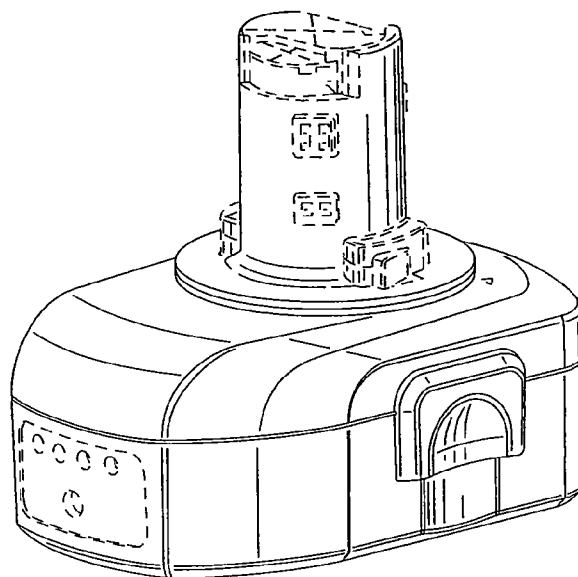
FIG. 5 is a bottom plan view of the battery pack shown in FIG. 1;

FIG. 6 is a front elevation view of the battery pack shown in FIG. 1; and,

FIG. 7 is a rear elevation view of the battery pack shown in FIG. 1.

In the drawings, broken lines indicate environmental structure or boundaries that form no part of the claimed design.

**1 Claim, 4 Drawing Sheets**



# US D590,333 S

Page 2

## U.S. PATENT DOCUMENTS

5,671,815	A	9/1997	Kabatnik et al.				
D384,639	S *	10/1997	Kawakami et al.	.....	D13/103		
D387,728	S *	12/1997	Kawakami et al.	.....	D13/103		
5,769,657	A	6/1998	Kondo et al.				
5,792,573	A	8/1998	Pitzen et al.				
D397,991	S *	9/1998	Kawakami et al.	.....	D13/103		
5,800,940	A	9/1998	Bunyea et al.				
5,902,080	A	5/1999	Kopras				
D412,485	S *	8/1999	Kato et al.	.....	D13/103		
D417,648	S *	12/1999	Clowers et al.	.....	D13/103		
6,007,939	A *	12/1999	Clowers	.....	429/99		
6,104,162	A	8/2000	Sainsbury et al.				
6,112,414	A	9/2000	Andis et al.				
D432,077	S *	10/2000	Zurwelle et al.	.....	D13/103		
6,126,670	A	10/2000	Walker et al.				
6,139,359	A	10/2000	Fuhreck et al.				
6,161,293	A	12/2000	Watson				
6,384,572	B1	5/2002	Nishimura				
D474,445	S *	5/2003	Matsuoka et al.	.....	D13/103		
6,675,912	B2	1/2004	Carrier				
D488,774	S *	4/2004	Zufall et al.	.....	D13/103		
6,729,415	B1	5/2004	Huang				
6,840,335	B1	1/2005	Wu				
D504,111	S *	4/2005	Ozawa et al.	.....	D13/103		
D504,394	S *	4/2005	Cheung et al.	.....	D13/103		
6,887,244	B1	5/2005	Walker et al.				
6,889,439	B2	5/2005	Koukal et al.				
D510,317	S *	10/2005	Sun	.....	D13/103		
D528,975	S *	9/2006	Chi et al.	.....	D13/103		
D530,270	S *	10/2006	Ozawa et al.	.....	D13/103		

\* cited by examiner

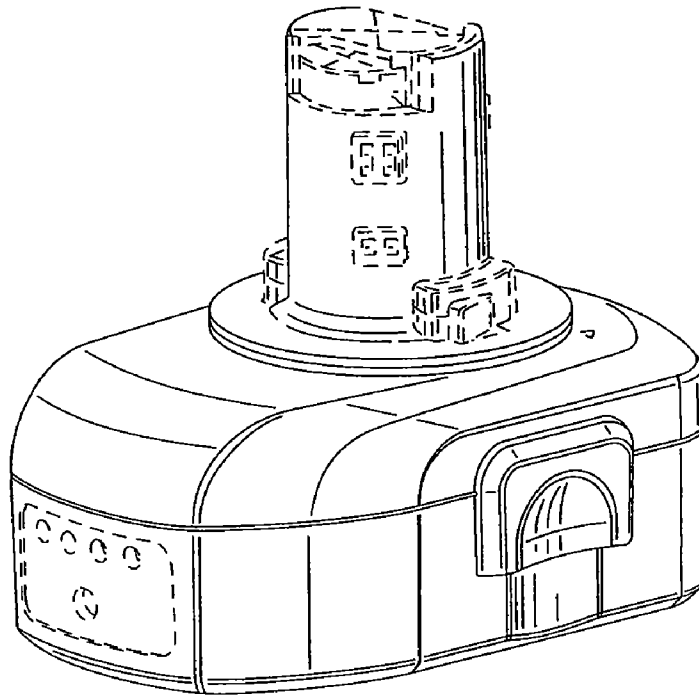


Fig. 1

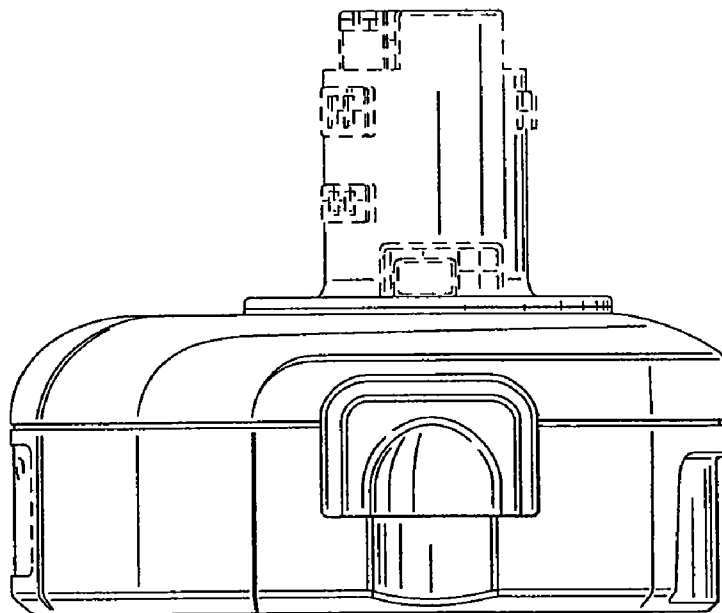


Fig. 2

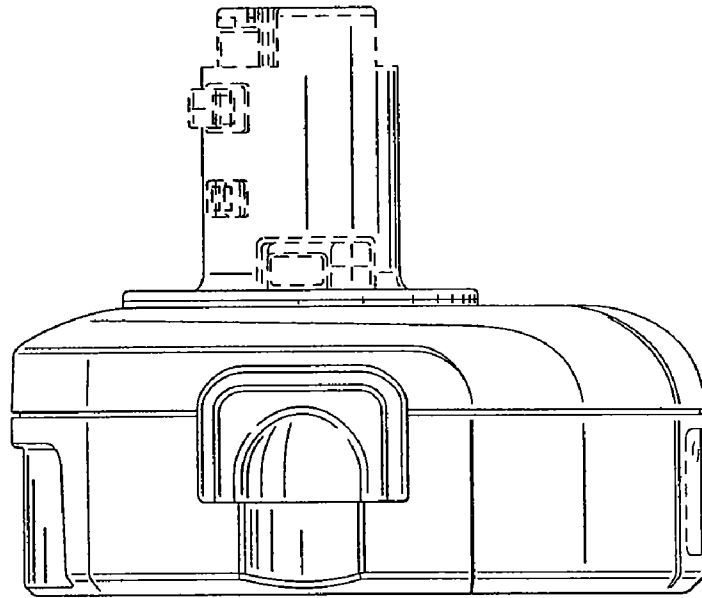


Fig. 3

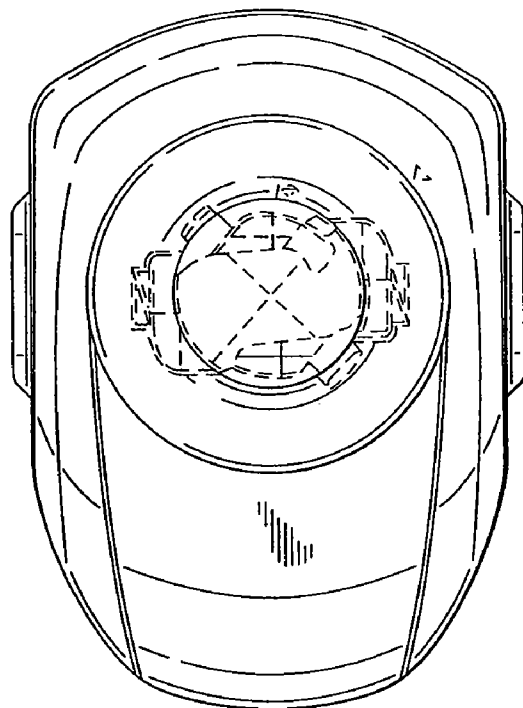


Fig. 4

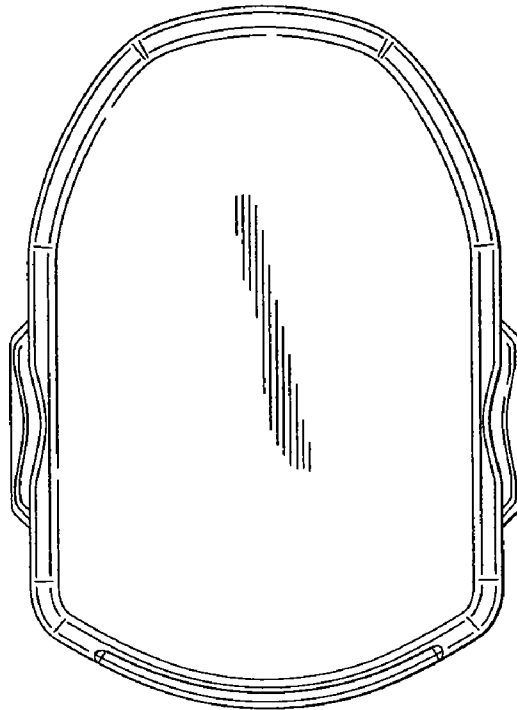


Fig. 5

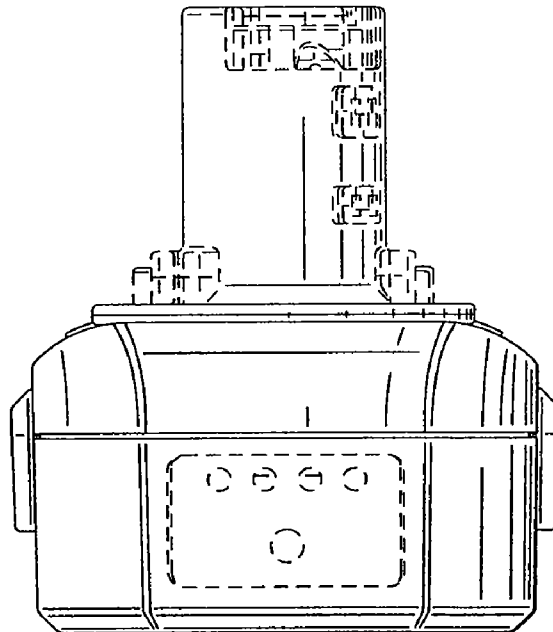


Fig. 6

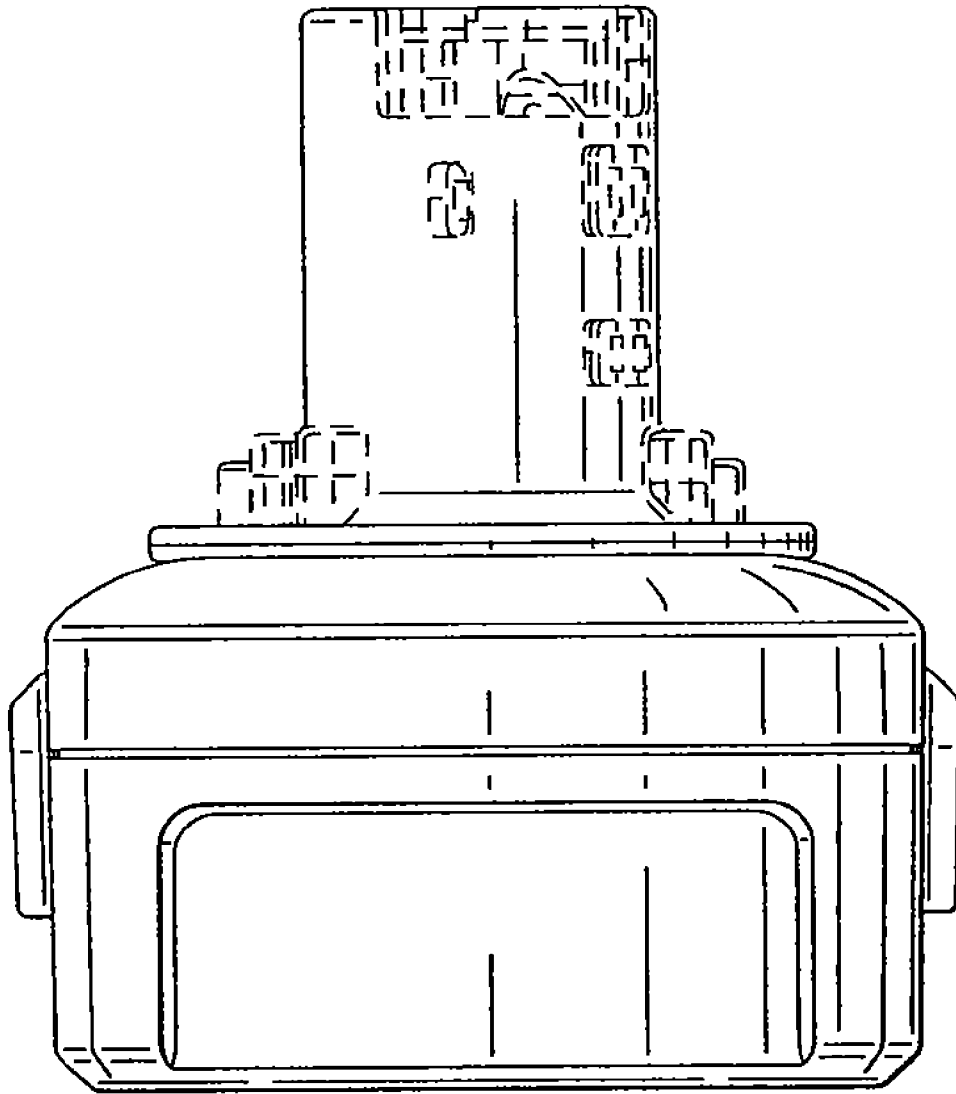


Fig. 7