



US00D836068S

(12) **United States Design Patent** (10) **Patent No.:** **US D836,068 S**  
**Nook et al.** (45) **Date of Patent:** **\*\* Dec. 18, 2018**

(54) **BATTERY JUMP STARTING DEVICE** 5,833,493 A \* 11/1998 Hung ..... H01R 11/00  
439/504  
(71) Applicant: **THE NOCO COMPANY**, Glenwillow, 5,985,481 A \* 11/1999 Champagne ..... H01M 6/38  
OH (US) 429/116  
6,386,907 B1 \* 5/2002 Ruffa ..... H01R 11/24  
439/504  
(72) Inventors: **Jonathan Lewis Nook**, Gates Mills, 6,471,540 B1 \* 10/2002 Fernandez ..... H01R 11/288  
OH (US); **William Knight Nook, Sr.**, 439/490  
Shaker Heights, OH (US); **James**  
**Richard Stanfield**, Peoria, AZ (US);  
**Derek Michael Underhill**, Tempe, AZ  
(US) D597,029 S \* 7/2009 Li ..... D13/120  
D738,825 S \* 9/2015 Nook ..... D13/120  
D746,774 S \* 1/2016 Nook ..... D13/120  
2011/0230081 A1 \* 9/2011 Rinehardt ..... H01R 11/24  
439/490

(73) Assignee: **THE NOCO COMPANY**, Glenwillow, OH (US)

\* cited by examiner

(\*\*) Term: **15 Years**

*Primary Examiner* — Derrick Holland

*Assistant Examiner* — Jennifer O King

(21) Appl. No.: **29/584,687**

(74) *Attorney, Agent, or Firm* — Vorys, Sater, Seymour and Pease LLP; William L. Klima

(22) Filed: **Nov. 16, 2016**

(51) **LOC (11) CL.** ..... **13-03**

(52) **U.S. CL.**  
USPC ..... **D13/120**

(58) **Field of Classification Search**  
USPC ..... D13/102–106, 110, 119–121, 184, 199;  
D8/395; 439/829, 504, 754, 755, 759,  
439/822, 219; 320/105  
CPC ..... H01R 11/24; H01R 11/18; H01R 11/22;  
H01R 11/281; H01R 13/2421  
See application file for complete search history.

(56) **References Cited**

U.S. PATENT DOCUMENTS

4,057,313 A \* 11/1977 Polizzano ..... H01R 11/18  
439/219  
5,795,182 A \* 8/1998 Jacob ..... H02J 7/0034  
439/490  
5,820,407 A \* 10/1998 Morse ..... H01R 11/24  
439/504

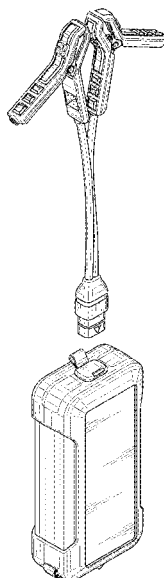
(57) **CLAIM**

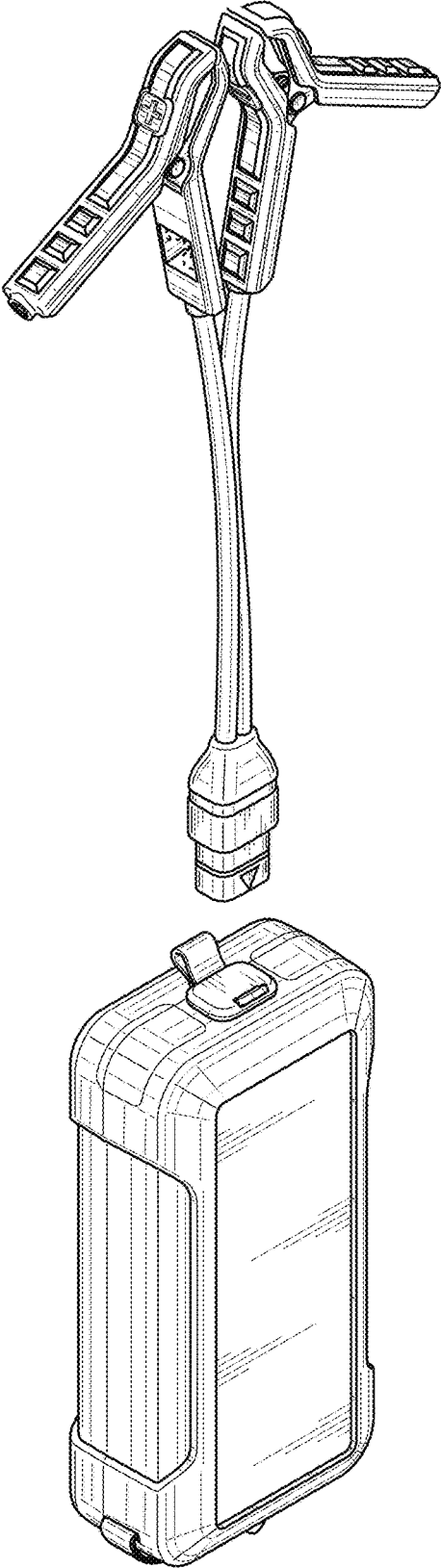
The ornamental design for a battery jump starting device, as shown and described.

**DESCRIPTION**

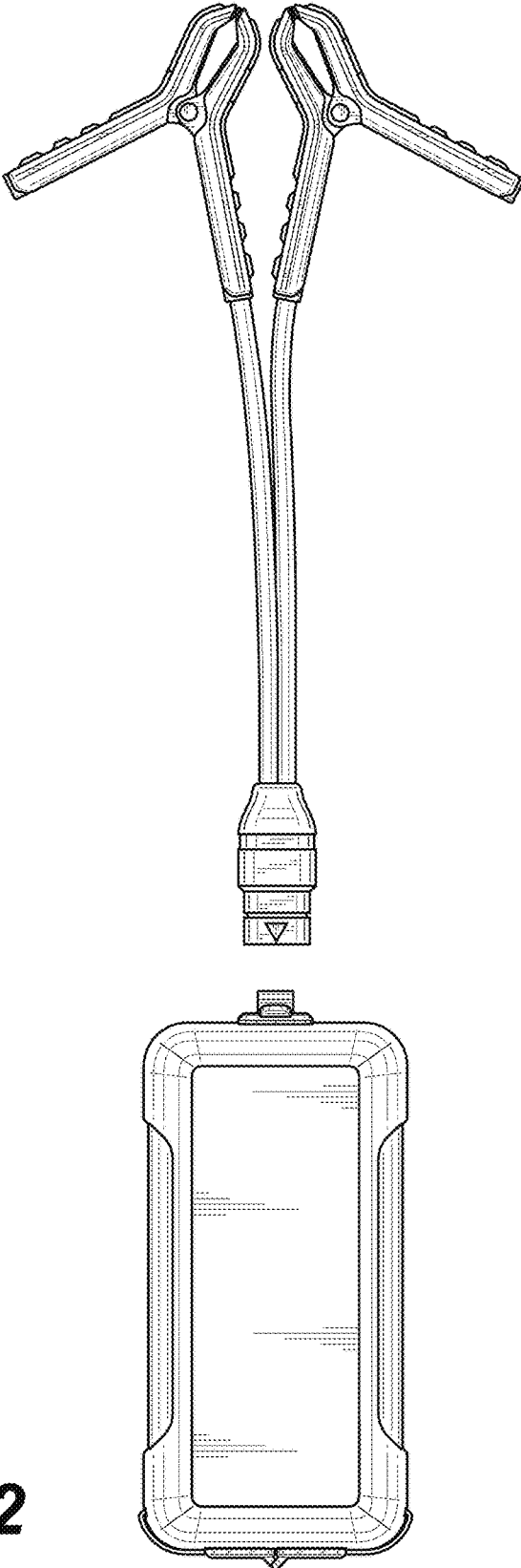
FIG. 1 is a perspective view of a battery jump starting device, with the cables shown detached for ease of illustration;  
FIG. 2 is a front view thereof;  
FIG. 3 is a rear view thereof;  
FIG. 4 is a left view thereof;  
FIG. 5 is right view thereof;  
FIG. 6 is a top view thereof; and,  
FIG. 7 is a bottom view thereof.  
The broken lines in the drawings depict portions of the battery jump starting device that form no part of the claimed design.

**1 Claim, 7 Drawing Sheets**

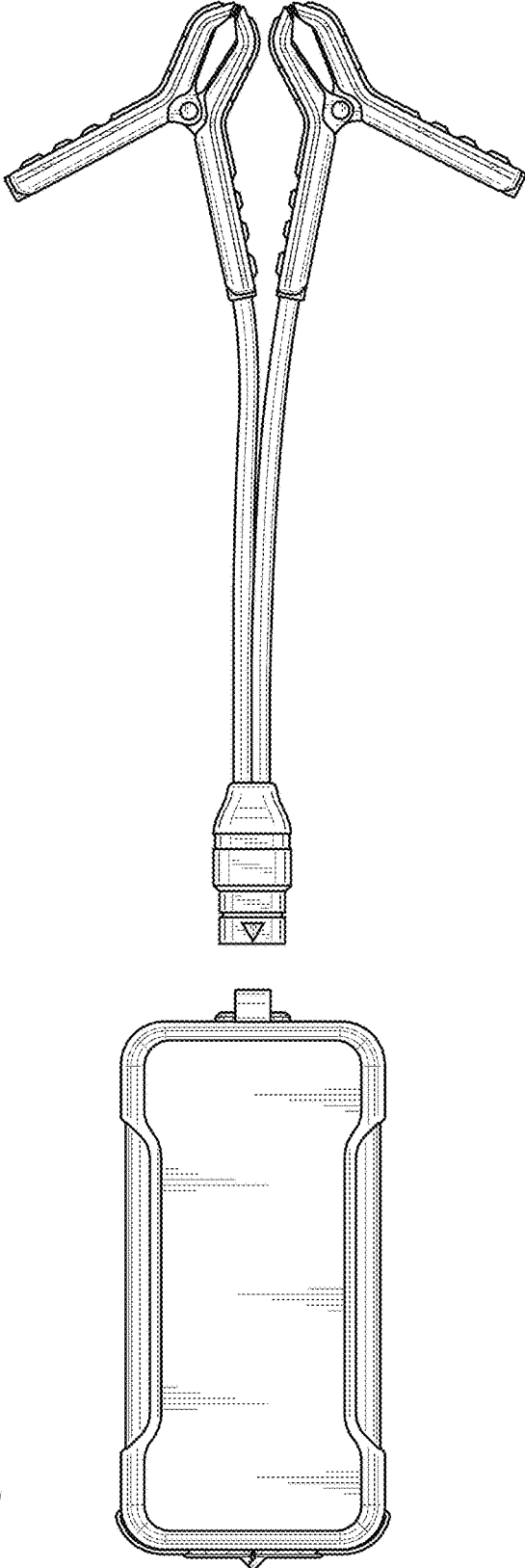




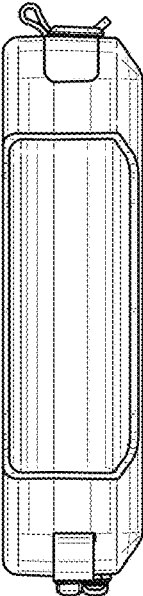
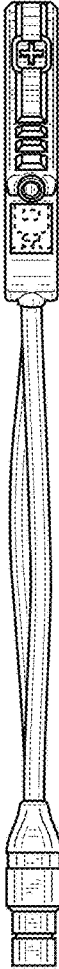
**FIG. 1**



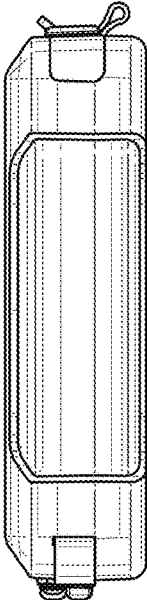
**FIG. 2**



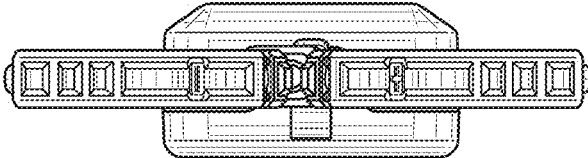
**FIG. 3**



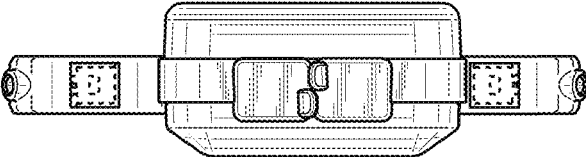
**FIG. 4**



**FIG. 5**



**FIG. 6**



**FIG. 7**