



US00D636640S

(12) **United States Design Patent**
Latham

(10) **Patent No.:** **US D636,640 S**

(45) **Date of Patent:** **** Apr. 26, 2011**

(54) **BEVERAGE CUP HOLDER**

(76) Inventor: **John F. Latham**, Sunny Isles, FL (US)

(**) Term: **14 Years**

(21) Appl. No.: **29/366,383**

(22) Filed: **Jul. 23, 2010**

(51) **LOC (9) Cl.** **07-06**

(52) **U.S. Cl.** **D7/622**

(58) **Field of Classification Search** D7/619.1-625;
215/393-396; 294/28, 29, 27, 31.2, 32, 33,
294/146, 137; 220/737-742; 248/311.2,
248/309.1

See application file for complete search history.

(56) **References Cited**

U.S. PATENT DOCUMENTS

3,458,164	A	*	7/1969	Massey	220/741
D225,437	S	*	12/1972	Killgrew	D7/622
D298,200	S	*	10/1988	Block et al.	D7/622
5,335,954	A	*	8/1994	Holub et al.	294/31.2

D366,601	S	*	1/1996	Oroudjian	D7/622
6,979,031	B2	*	12/2005	Coppotelli et al.	294/27.1
D524,607	S	*	7/2006	Kent-Fawkes	D7/622
D557,567	S	*	12/2007	Gronikowski et al.	D7/622

* cited by examiner

Primary Examiner — Terry A Wallace

(74) *Attorney, Agent, or Firm* — Christopher J. Vandam, PA

(57) **CLAIM**

I claim the ornamental design for the beverage cup holder, as shown and described.

DESCRIPTION

FIG. 1 shows a perspective view of the claimed beverage cup holder.

FIG. 2 demonstrates a perspective view thereof.

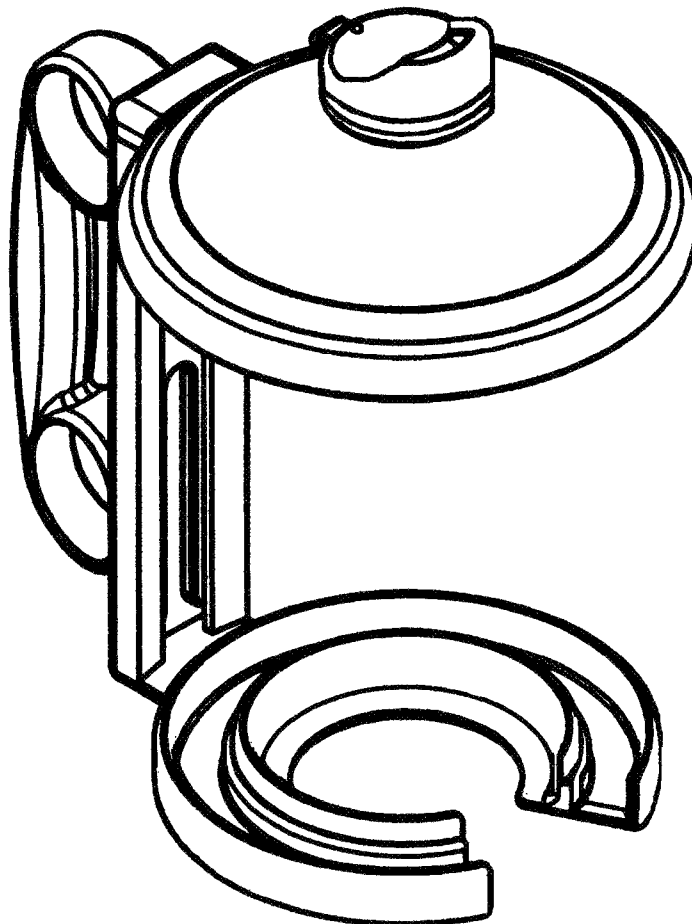
FIG. 3 portrays a front elevation view thereof.

FIG. 4 is a side elevation view thereof.

FIG. 5 illustrates a perspective view thereof; and,

FIG. 6 portrays a perspective view thereof.

1 Claim, 6 Drawing Sheets



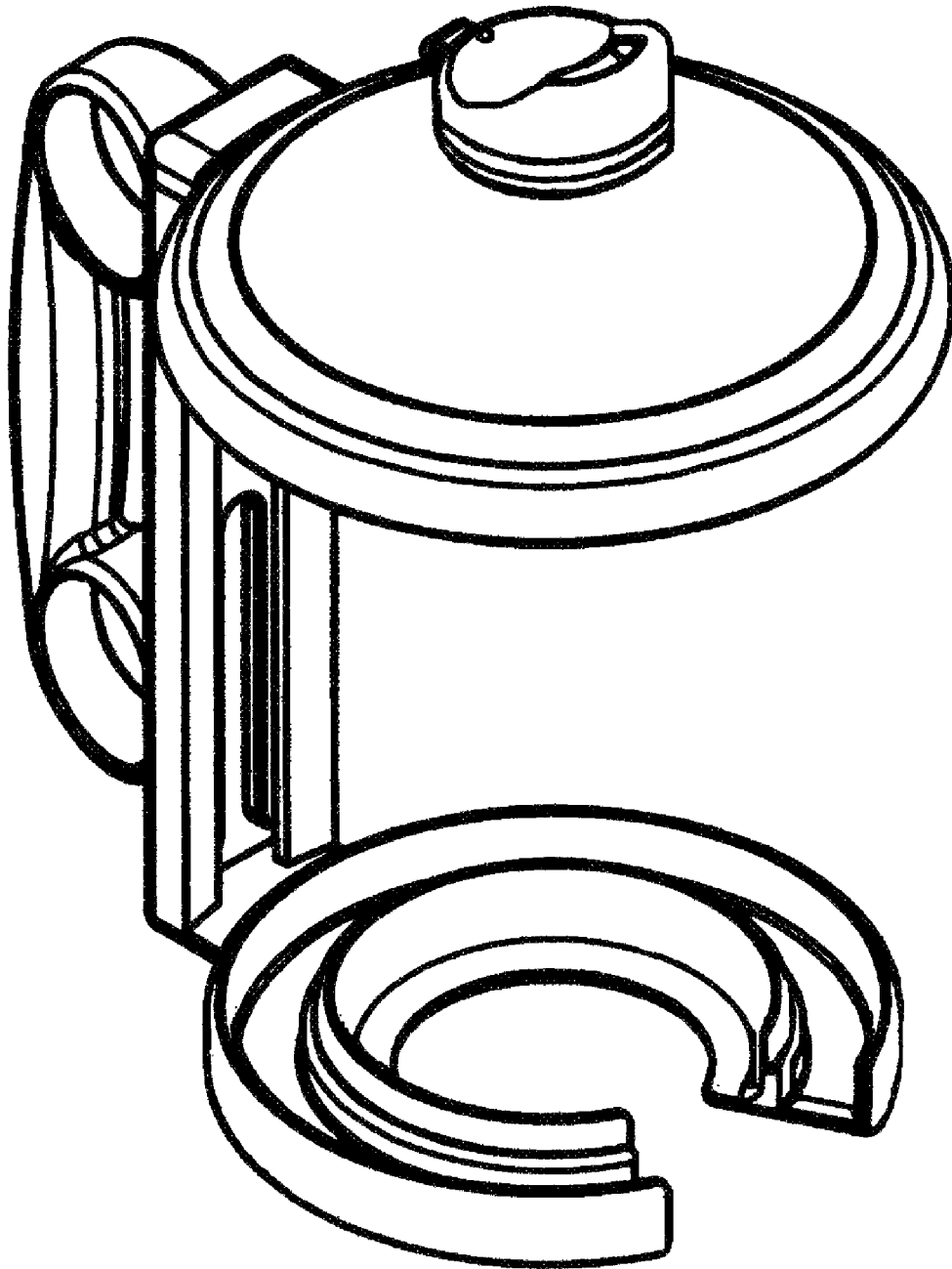


Fig. 1

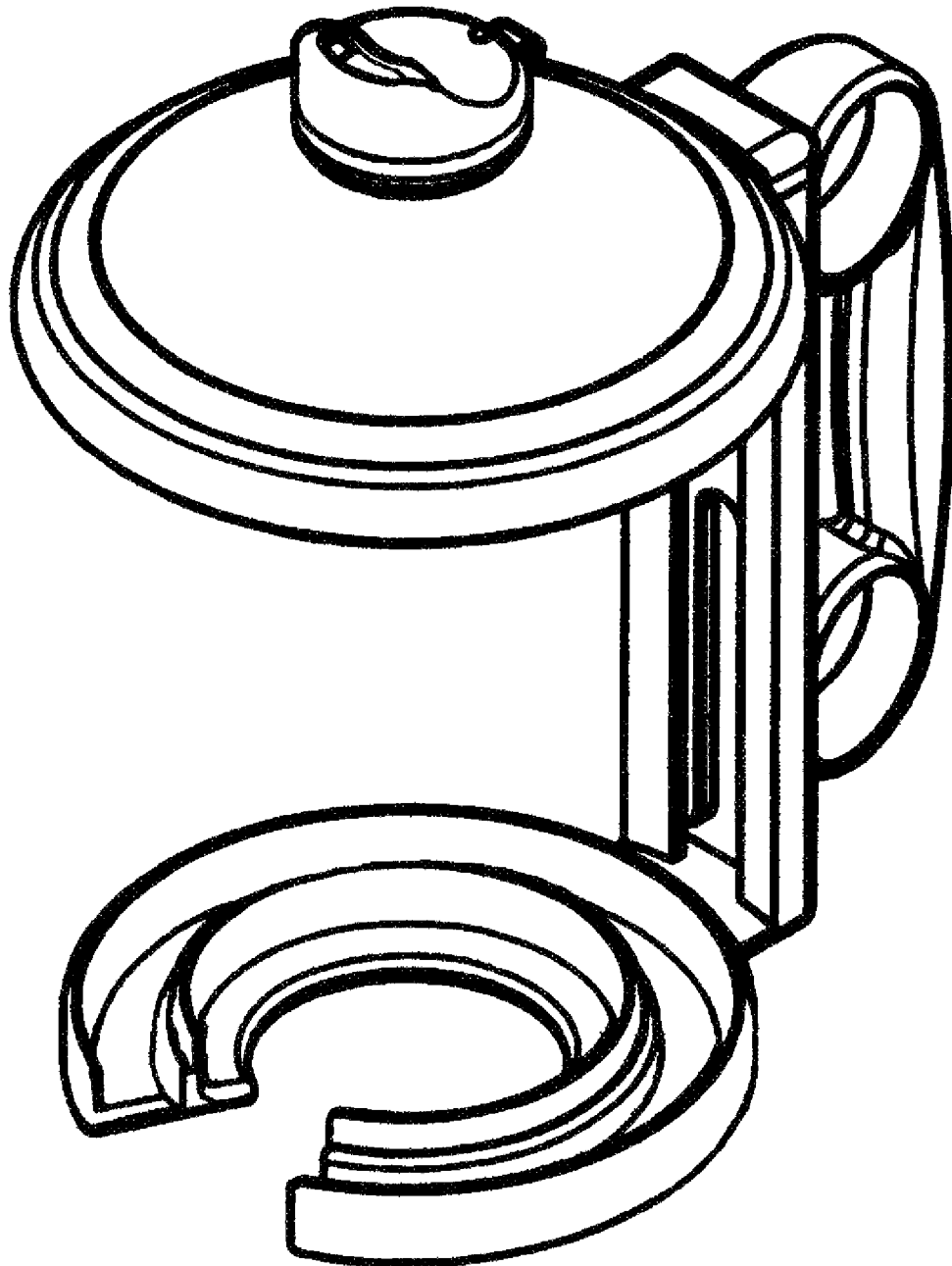


Fig.2

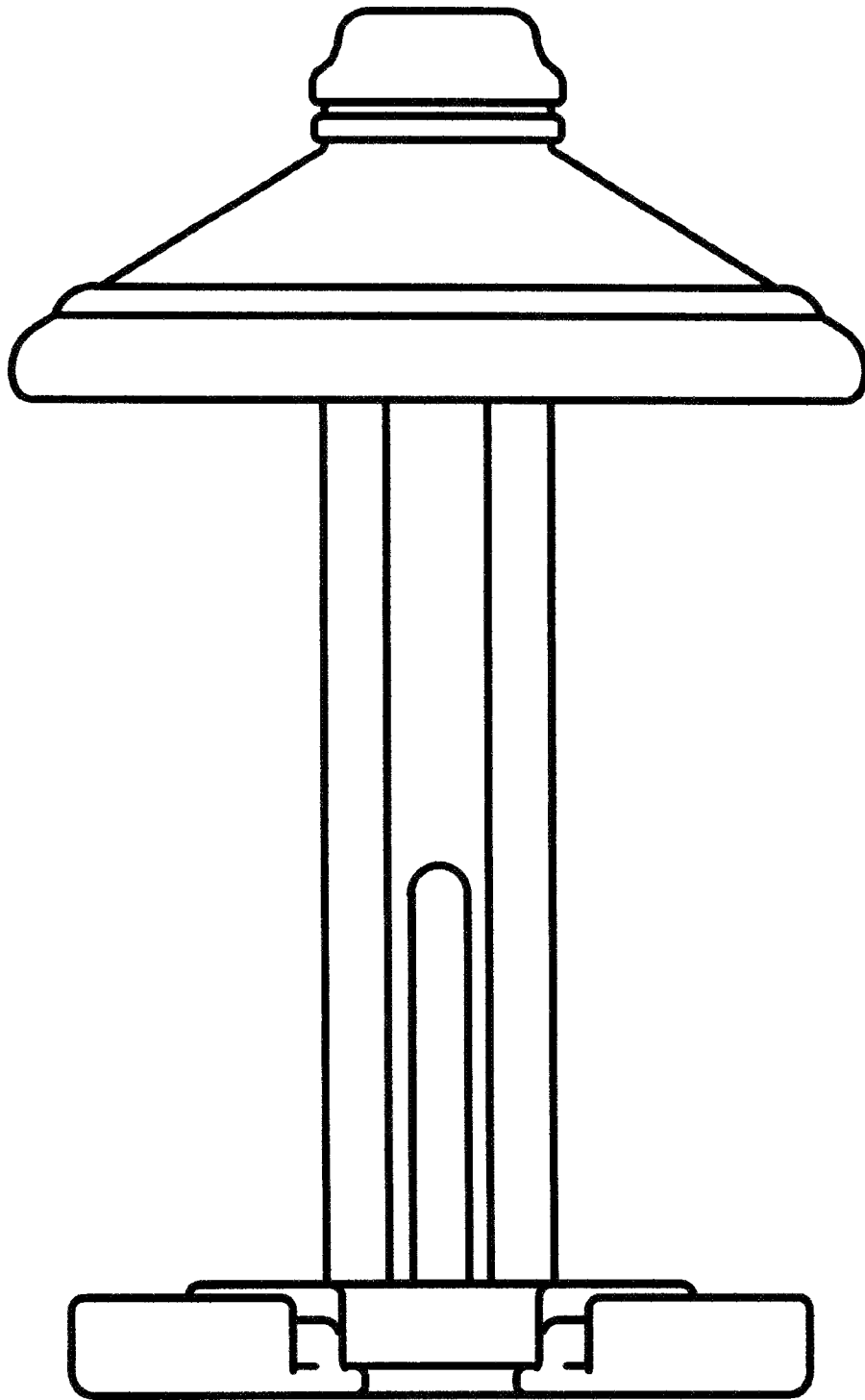


Fig.3

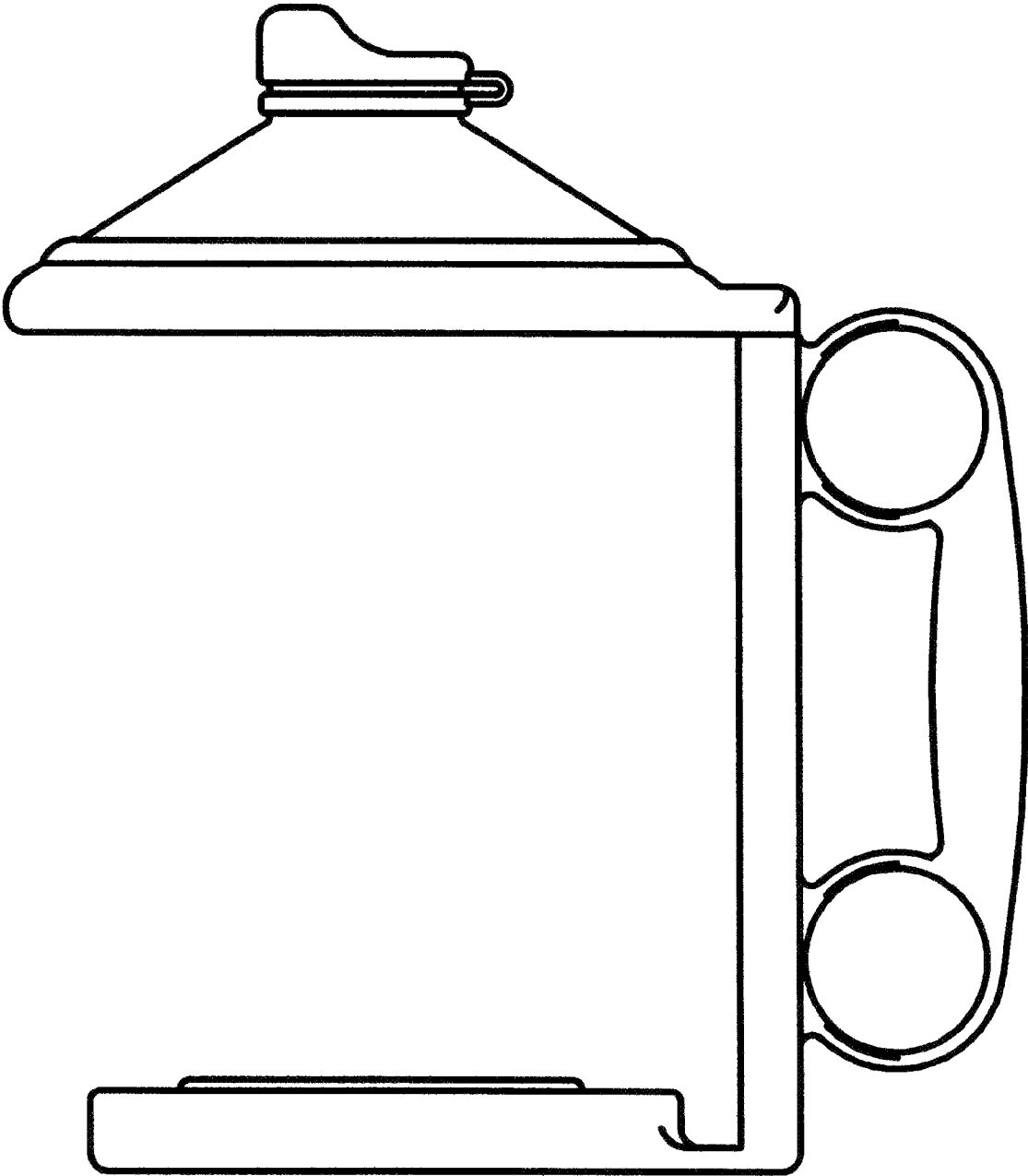


Fig.4

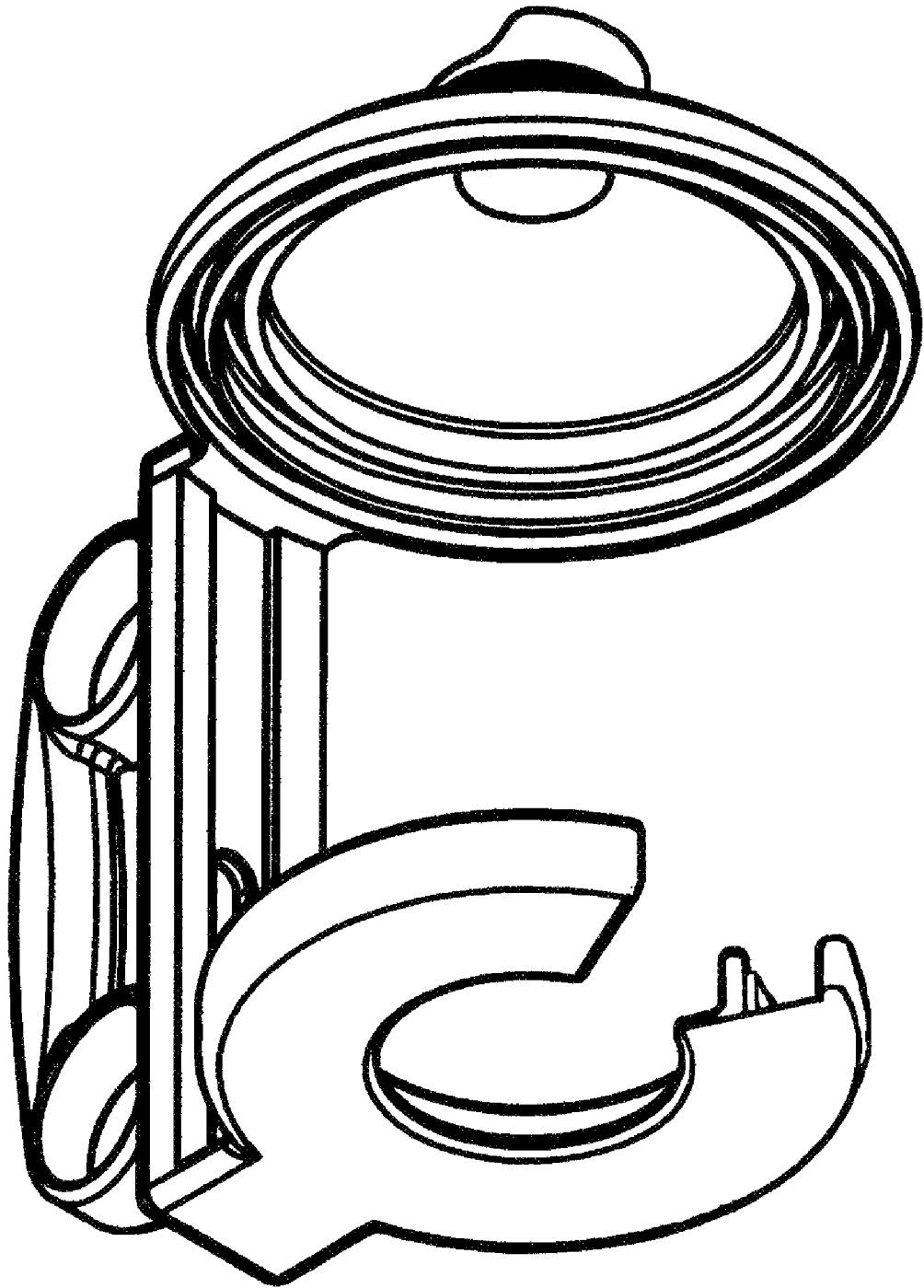


Fig. 5

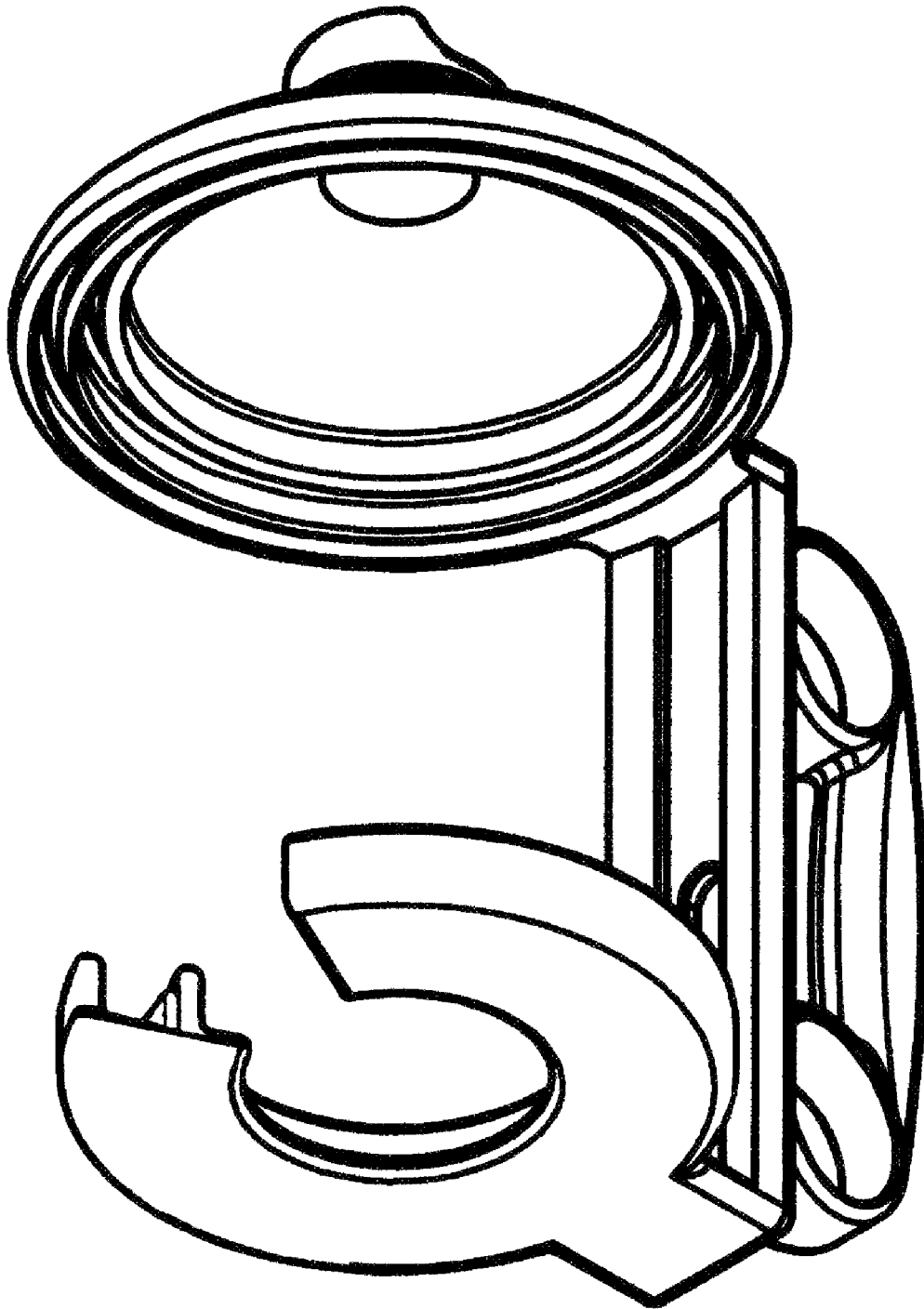


Fig. 6