



US00D759291S

(12) **United States Design Patent**
Chen

(10) **Patent No.:** **US D759,291 S**

(45) **Date of Patent:** **** Jun. 14, 2016**

(54) **WALL LAMP**

(71) Applicant: **Chia-Teh Chen**, Taipei (TW)

(72) Inventor: **Chia-Teh Chen**, Taipei (TW)

(**) Term: **14 Years**

(21) Appl. No.: **29/517,449**

(22) Filed: **Feb. 12, 2015**

(51) **LOC (10) Cl.** **26-99**

(52) **U.S. Cl.**

USPC **D26/120**

(58) **Field of Classification Search**

USPC D26/2, 28, 60, 72, 89, 104, 113, 118,
D26/119, 120, 122, 124, 128, 138, 142, 143,
D26/145; D13/102, 103, 107, 108, 179, 180

CPC H01L 2224/48137; F21V 29/006;
F21V 9/08; F21V 9/12; F21V 14/02; F21V
21/08; F21V 21/14; F21V 21/22; F21V 21/29;
F21V 21/30; F21V 23/0442; F21V 23/0492;
F21V 23/04; F21V 33/0052; F21Y 2101/02;
F21Y 2103/00; F21Y 2103/025; F21Y
2105/00; F21K 9/00; F21S 2/005; F21S
4/008; F21S 8/035; F21S 8/038; F21S 9/022;
F21S 10/00; F21S 10/002; F21W 2121/00;
G01S 3/7864; H04N 5/2252; H04N 5/23241;
H04N 7/181; Y02B 10/30; Y10S 362/80

See application file for complete search history.

(56)

References Cited

U.S. PATENT DOCUMENTS

4,386,824	A	*	6/1983	Draper	F21S 48/1364 359/868
4,570,205	A	*	2/1986	Shiojiri	G03B 15/05 362/18
D301,754	S	*	6/1989	DeCandia	D26/63
4,992,911	A	*	2/1991	Ressia	F21S 48/1382 362/297
D336,756	S	*	6/1993	Meisner	D26/65
5,289,356	A	*	2/1994	Winston	F21V 7/005 250/504 R
D355,502	S	*	2/1995	Liao	D26/63
D386,802	S	*	11/1997	Kim	D10/109.2

D499,823	S	*	12/2004	Reiss	D26/28
7,121,688	B2	*	10/2006	Rempel	F21L 14/02 362/184
7,168,821	B2	*	1/2007	Huang	G02C 11/04 24/3.1
D599,049	S	*	8/2009	Guercio	D26/69
D622,886	S	*	8/2010	Zheng	D26/69
7,766,520	B2	*	8/2010	Bornhorst	F21V 14/06 362/269
D625,458	S	*	10/2010	Liu	D26/93
D647,246	S	*	10/2011	Chadwick	D26/138
D648,479	S	*	11/2011	Herman	D26/118
D655,857	S	*	3/2012	Sabernig	D26/113

(Continued)

OTHER PUBLICATIONS

Dual Beam Work Light, image post date Oct. 9, 2014, site visited Jan. 27, 2016, (online), <<https://www.tineye.com/search/15a4ff3c5ad614a950ee149c76dc8f25048cb9d2/>>.*

Primary Examiner — Kevin Rudzinski

Assistant Examiner — Sean D Lough

(74) *Attorney, Agent, or Firm* — Li & Cai Intellectual Property (USA) Office

(57)

CLAIM

The ornamental design for a “wall lamp,” as shown and described.

DESCRIPTION

FIG. 1 is a first perspective view of a “wall lamp” showing the design;

FIG. 2 is a front view thereof;

FIG. 3 is a rear view thereof;

FIG. 4 is a left side view thereof;

FIG. 5 is a right side view thereof;

FIG. 6 is a top view thereof;

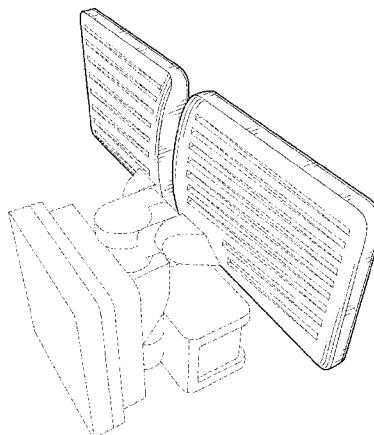
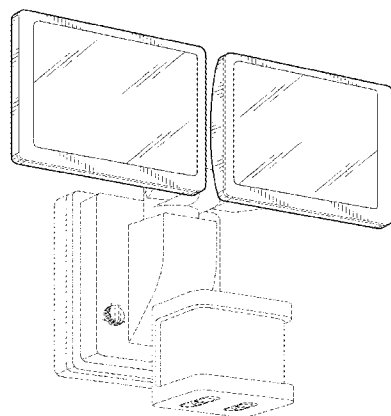
FIG. 7 is a bottom view thereof;

FIG. 8 is a second perspective view thereof; and,

FIG. 9 is a third perspective view thereof.

The broken lines (where present) in all FIGS. show portions of the wall lamp that illustrates environment that forms no part of the claimed design.

1 Claim, 6 Drawing Sheets



(56)

References Cited

U.S. PATENT DOCUMENTS

D656,662 S * 3/2012 Lehman D26/118
 D665,526 S * 8/2012 Kong D26/113
 D670,022 S * 10/2012 Green D26/128
 D670,023 S * 10/2012 Green D26/128
 8,303,128 B2 * 11/2012 Takata G02F 1/33604
 313/491
 8,317,363 B2 * 11/2012 Zheng F21V 29/76
 362/231
 D673,712 S * 1/2013 Patel D26/74
 D682,456 S * 5/2013 Kaplan D26/74
 D688,403 S * 8/2013 Landefeld D26/69
 D694,925 S * 12/2013 Fukasawa D26/63
 D698,974 S * 2/2014 Aniserowicz D26/74
 D707,879 S * 6/2014 Hamilton D26/120
 D708,388 S * 7/2014 Lee D26/120
 D715,476 S * 10/2014 Tien D26/74
 D715,477 S * 10/2014 Yu D26/85
 D715,994 S * 10/2014 Klus D26/141
 D717,989 S * 11/2014 Heim D26/71
 D720,093 S * 12/2014 Lee D26/120

8,905,496 B2 * 12/2014 Burgess A47B 21/00
 108/50.02
 8,944,652 B2 * 2/2015 Tachiiwa B29C 45/0025
 254/95
 D730,569 S * 5/2015 Bryant D26/118
 D732,728 S * 6/2015 Rischau D26/113
 D734,526 S * 7/2015 Gordin D26/74
 D734,532 S * 7/2015 Gordin D26/118
 9,088,721 B2 * 7/2015 Akita G03B 13/04
 9,090,202 B2 * 7/2015 McLoughlin B60Q 1/00
 D735,927 S * 8/2015 Lee D26/120
 D740,997 S * 10/2015 Chang D26/118
 D745,196 S * 12/2015 Walterscheid D26/24
 D745,201 S * 12/2015 Lee D26/63
 D746,279 S * 12/2015 Bajwa D14/341
 D746,292 S * 12/2015 Heckler D14/447
 D746,725 S * 1/2016 Stopka D12/163
 D747,141 S * 1/2016 Wahl D23/366
 D747,318 S * 1/2016 Wenji D14/433
 D747,505 S * 1/2016 Serocki D26/1
 D747,533 S * 1/2016 Bryant D26/118
 9,234,994 B2 * 1/2016 Sheng F21V 5/00

* cited by examiner

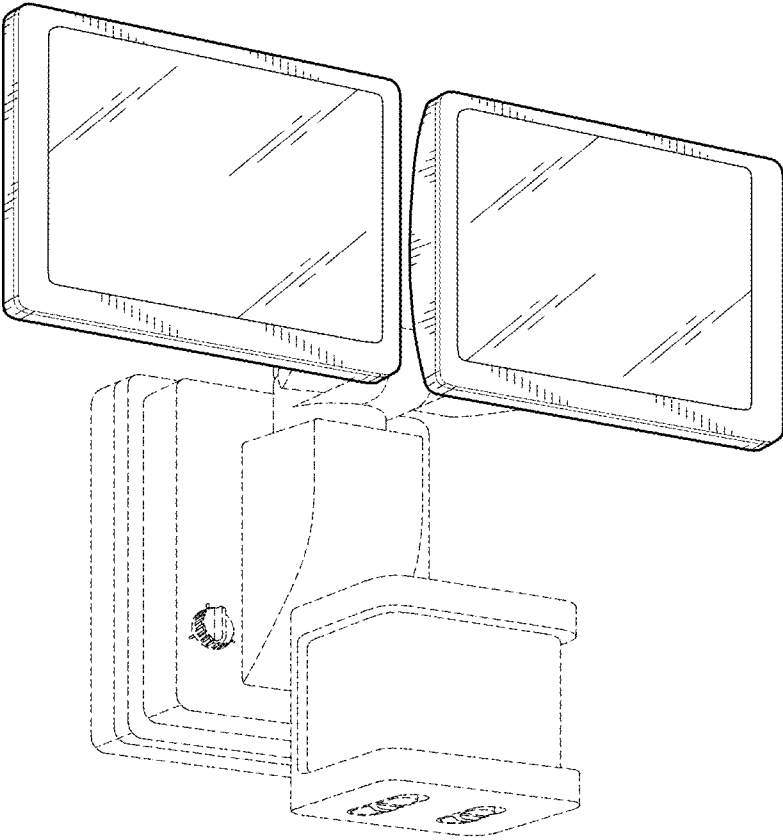


FIG.1

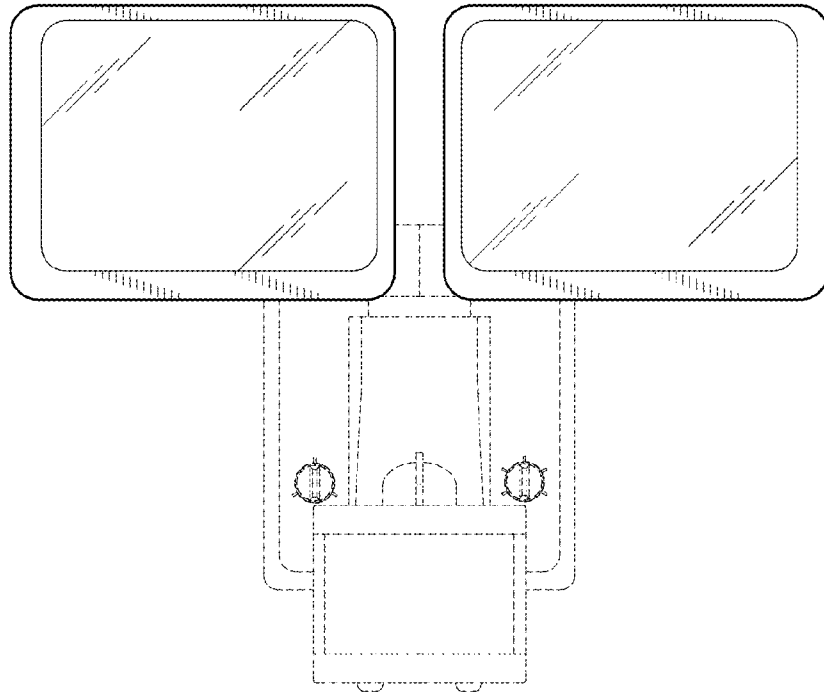


FIG. 2

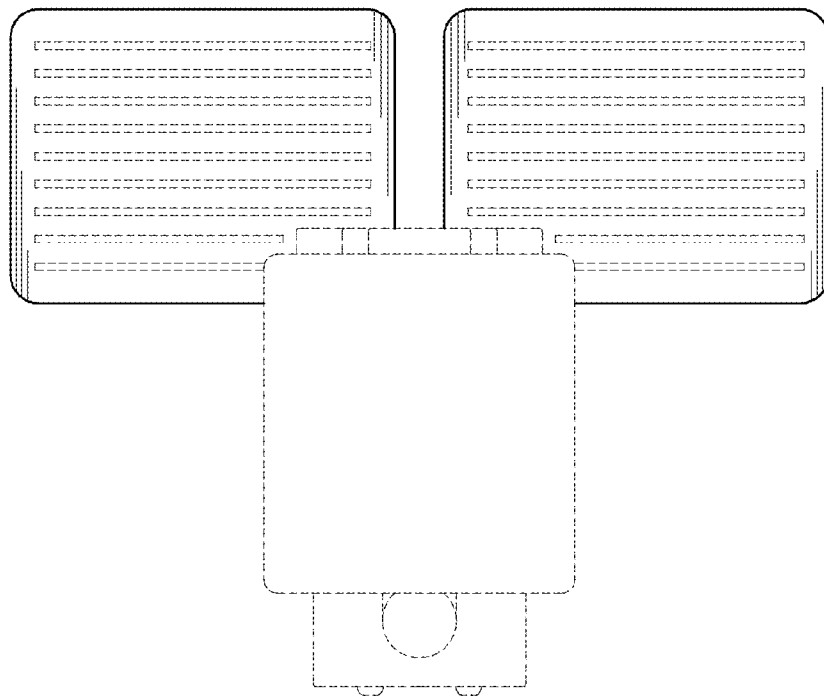


FIG. 3

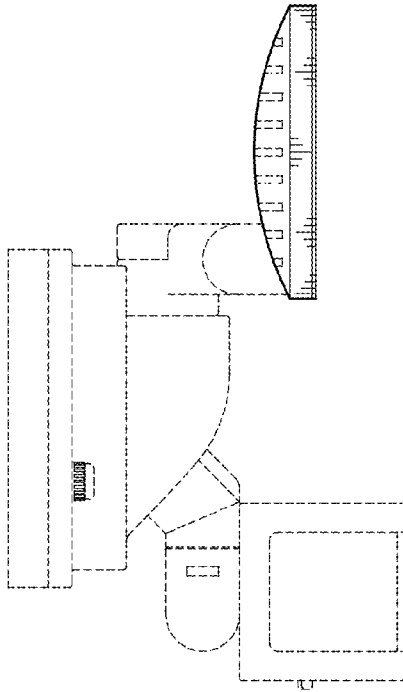


FIG. 4

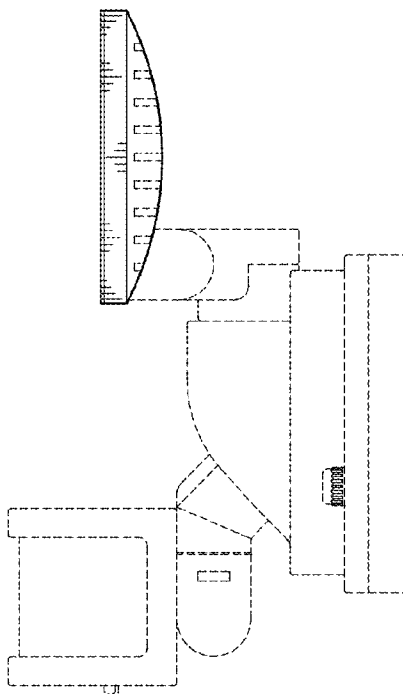


FIG. 5

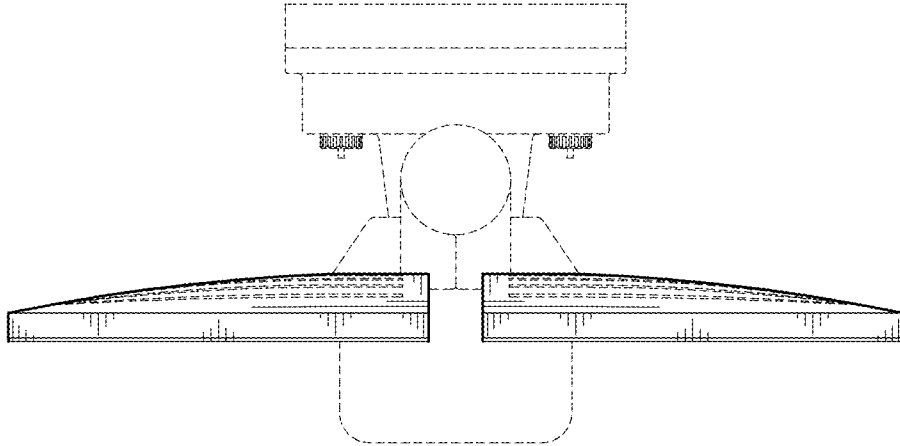


FIG. 6

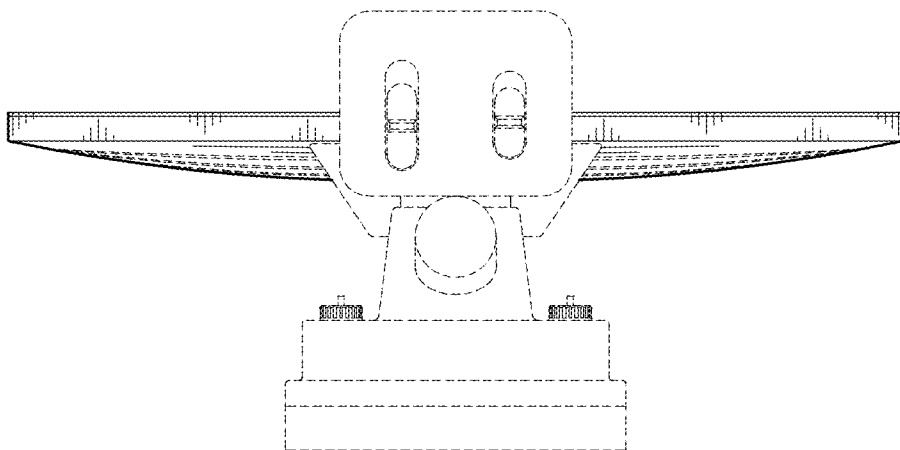


FIG. 7

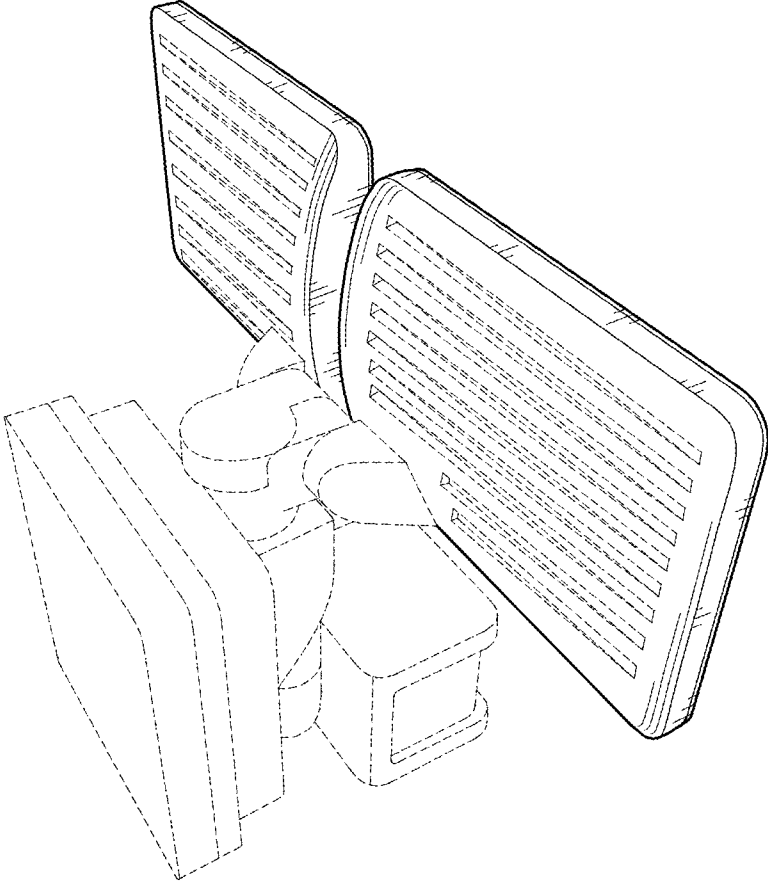


FIG.8

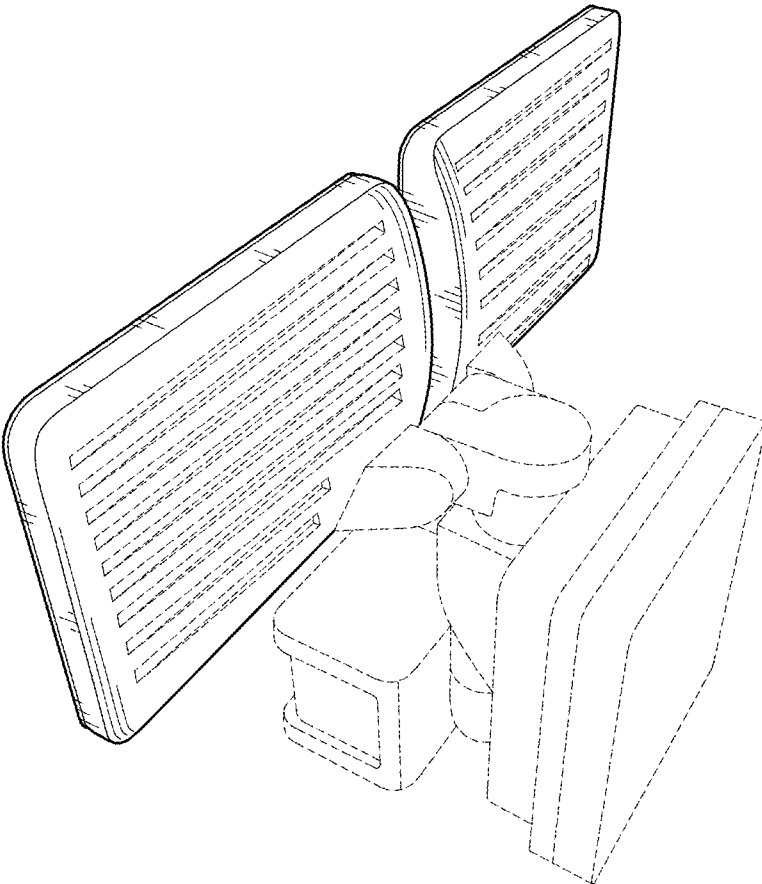


FIG.9