



US00D405224S

United States Patent [19]

[11] **Patent Number:** **Des. 405,224**

Falconio

[45] **Date of Patent:** ****Feb. 2, 1999**

[54] **COMBINED GOLF BAG CLIP AND CIGAR AND CIGARETTE HOLDER**

Primary Examiner—Susan J. Lucas
Assistant Examiner—Jennifer Rivard
Attorney, Agent, or Firm—Salter & Michaelson

[76] **Inventor:** **Dino P. Falconio**, 2224 Flat River Rd.,
Coventry, R.I. 02816

[57] **CLAIM**

[**] **Term:** **14 Years**

The ornamental design for a combined golf bag clip and cigar and cigarette holder, as shown and described.

[21] **Appl. No.:** **85,288**

DESCRIPTION

[22] **Filed:** **Mar. 19, 1998**

FIG. 1 is a perspective view showing my new design;

[51] **LOC (6) Cl.** **27-06**

FIG. 2 is a front view thereof;

[52] **U.S. Cl.** **D27/183; D27/192; D8/395**

FIG. 3 is a rear view thereof;

[58] **Field of Search** **D8/395, 396; 131/257,**

FIG. 4 is a top view thereof;

131/258, 259; D27/172, 183, 192, 194,

FIG. 5 is a bottom view thereof;

138; D21/793; 24/563, 562; 206/242

FIG. 6 is a left side view thereof;

FIG. 7 is a right side view thereof; and,

[56] **References Cited**

FIG. 8 is a perspective view showing both a cigar and cigarette (in broken lines), being held in the device.

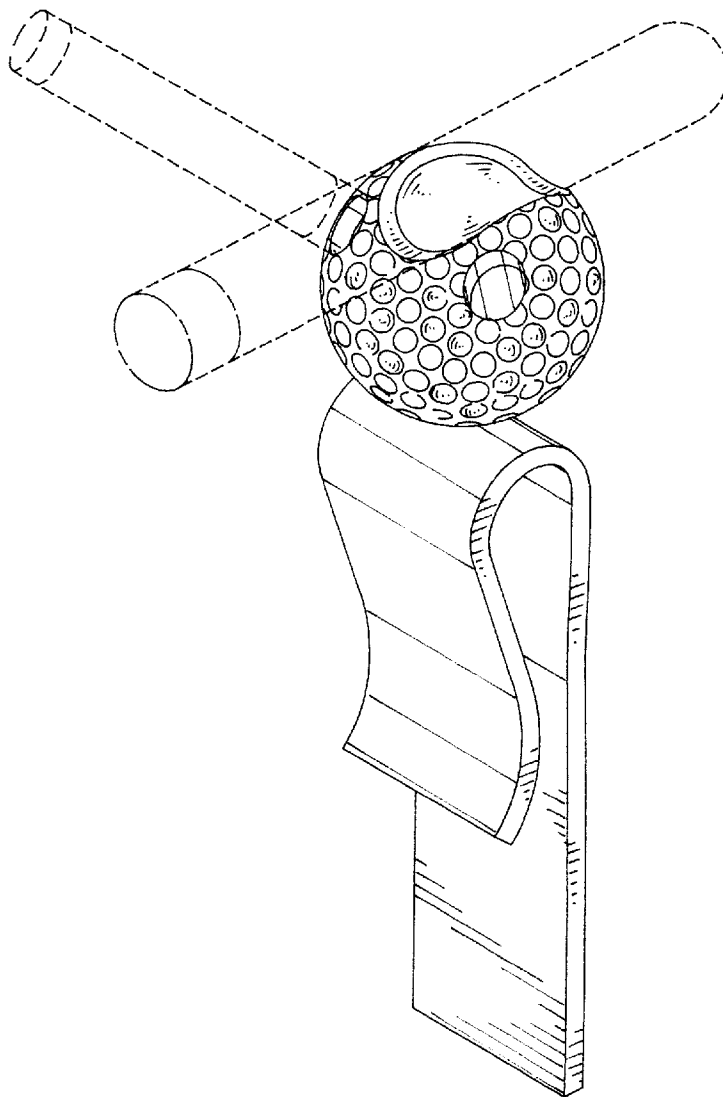
U.S. PATENT DOCUMENTS

The broken line portions in FIG. 8 are for illustration only, and form no part of the instant design.

D. 380,862 7/1997 Hasselgren et al. D27/192

D. 382,592 8/1997 Maruchi D8/395

1 Claim, 4 Drawing Sheets



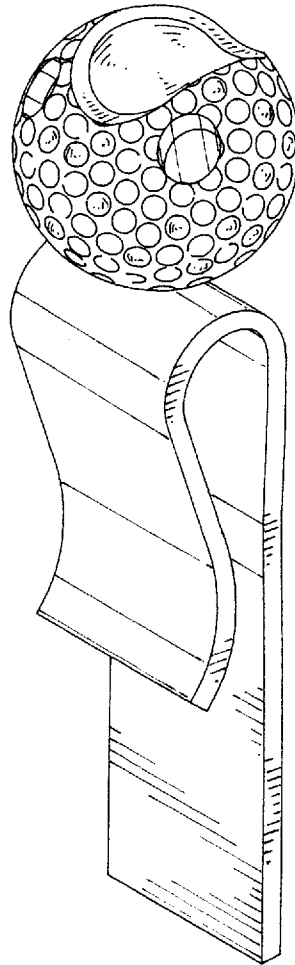


FIG. 1

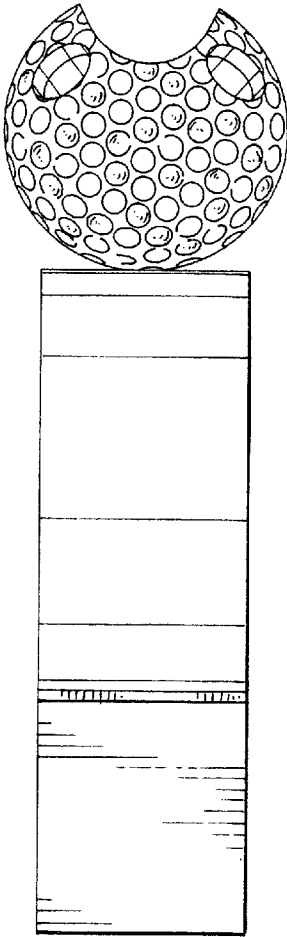


FIG. 2

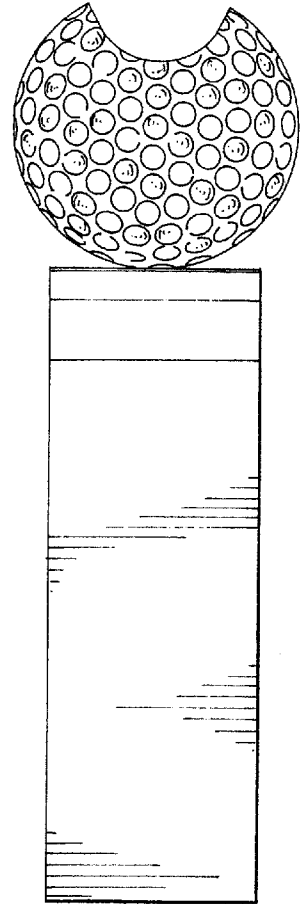


FIG. 3

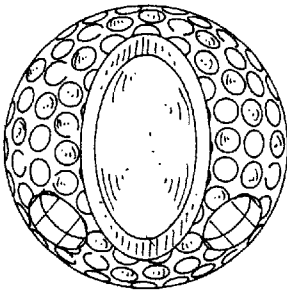


FIG. 4

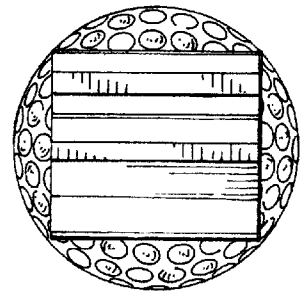


FIG. 5

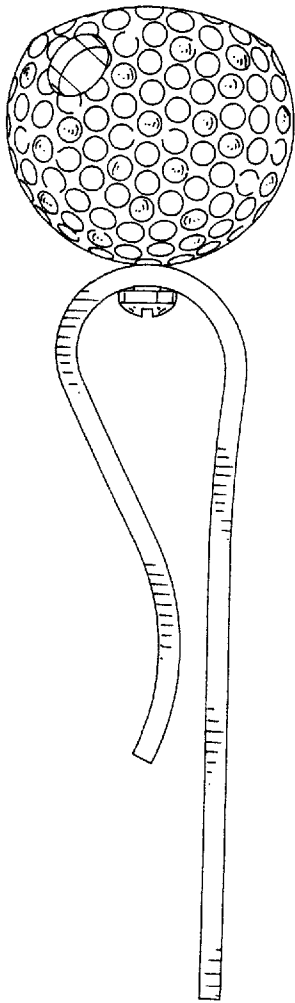


FIG. 6

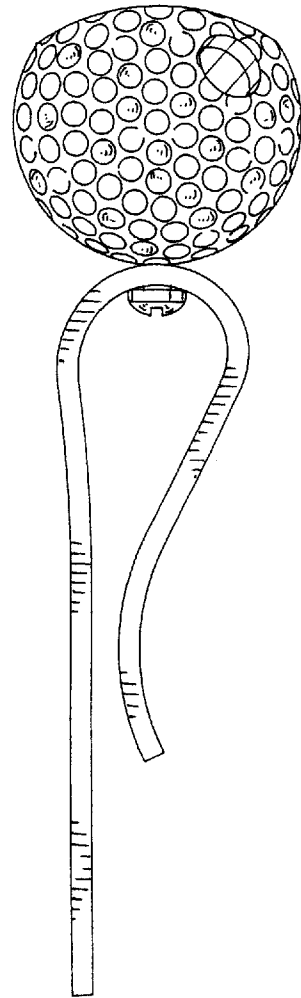


FIG. 7

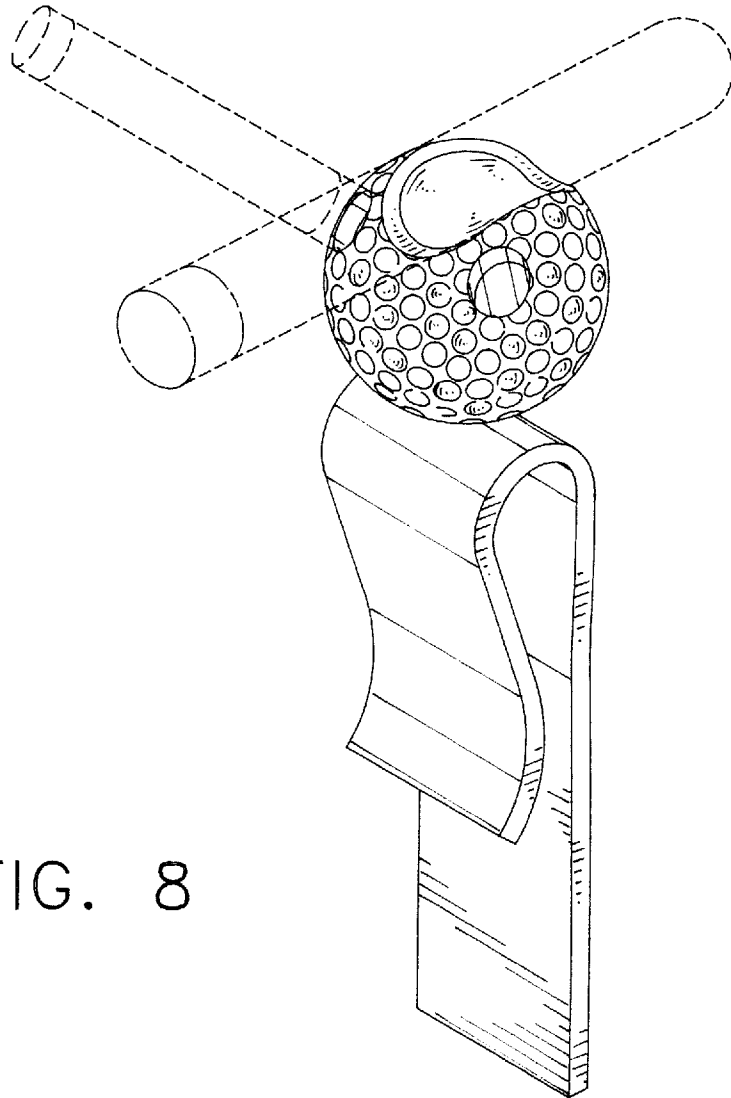


FIG. 8