

(19) World Intellectual Property Organization
International Bureau



(43) International Publication Date
21 December 2000 (21.12.2000)

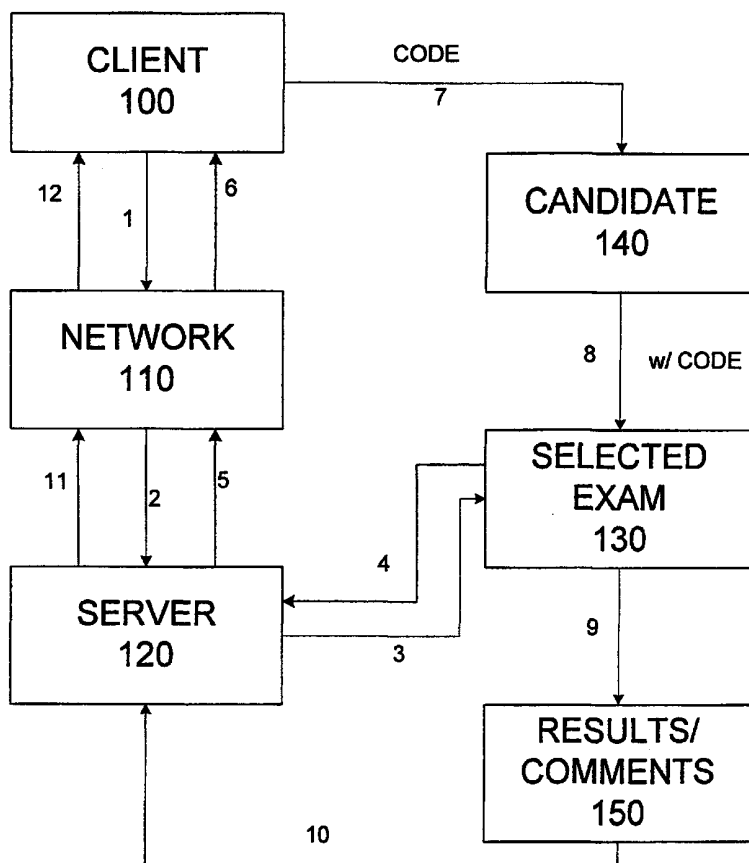
PCT

(10) International Publication Number
WO 00/77672 A3

- (51) International Patent Classification⁷: G06F 17/60, G09B 19/00
- (21) International Application Number: PCT/US00/16547
- (22) International Filing Date: 15 June 2000 (15.06.2000)
- (25) Filing Language: English
- (26) Publication Language: English
- (30) Priority Data: 60/139,300 16 June 1999 (16.06.1999) US
- (71) Applicant: KNOWLEDGEBASE.COM [US/US]; 1533 West Garfield, Aurora, IL 60506 (US).
- (72) Inventor: HATTON, Robert, W.; 1540 Briar Meadow Drive, Keller, TX 76248 (US).
- (74) Agents: ROBERTS, Jon, L. et al.; Roberts Abokhair & Mardula, LLC, Suite 1000, 11800 Sunrise Valley Drive, Reston, VA 20191 (US).
- (81) Designated States (*national*): AE, AG, AL, AM, AT, AU, AZ, BA, BB, BG, BR, BY, CA, CH, CN, CR, CU, CZ, DE, DK, DM, DZ, EE, ES, FI, GB, GD, GE, GH, GM, HR, HU, ID, IL, IN, IS, JP, KE, KG, KP, KR, KZ, LC, LK, LR, LS, LT, LU, LV, MA, MD, MG, MK, MN, MW, MX, MZ, NO, NZ, PL, PT, RO, RU, SD, SE, SG, SI, SK, SL, TJ, TM, TR, TT, TZ, UA, UG, UZ, VN, YU, ZA, ZW.
- (84) Designated States (*regional*): ARIPO patent (GH, GM, KE, LS, MW, MZ, SD, SL, SZ, TZ, UG, ZW), Eurasian patent (AM, AZ, BY, KG, KZ, MD, RU, TJ, TM), European patent (AT, BE, CH, CY, DE, DK, ES, FI, FR, GB, GR, IE, IT, LU, MC, NL, PT, SE), OAPI patent (BF, BJ, CF, CG, CI, CM, GA, GN, GW, ML, MR, NE, SN, TD, TG).

[Continued on next page]

(54) Title: METHOD AND SYSTEM FOR SKILLS ASSESSMENT



(57) Abstract: Skill assessment exams are administered to prospective employment candidates (140) for clients, preferably over a network (110) such as the Internet. A server (120) is connected to a database of skill assessment exams so that candidates, using a browser and a client-supplied code, can access the server (120) over the network (110) in order to take a selected exam (130). The server (120) immediately grades the exams and notifies the client (100) when a candidate (140) has completed an assessment exam. Results can be viewed and managed by the client (100) over the network (110). Clients (100) can select standard exams or create custom exams for prospective candidates (140).



WO 00/77672 A3



Published:

— With international search report.

For two-letter codes and other abbreviations, refer to the "Guidance Notes on Codes and Abbreviations" appearing at the beginning of each regular issue of the PCT Gazette.

(88) Date of publication of the international search report:

10 May 2001

INTERNATIONAL SEARCH REPORT

Int. l. Application No

PCT/US 00/16547

A. CLASSIFICATION OF SUBJECT MATTER
 IPC 7 G06F17/60 G09B19/00

According to International Patent Classification (IPC) or to both national classification and IPC

B. FIELDS SEARCHED

Minimum documentation searched (classification system followed by classification symbols)

IPC 7 G06F G09B

Documentation searched other than minimum documentation to the extent that such documents are included in the fields searched

Electronic data base consulted during the international search (name of data base and, where practical, search terms used)

WPI Data, EPO-Internal, PAJ, IBM-TDB, INSPEC

C. DOCUMENTS CONSIDERED TO BE RELEVANT

Category °	Citation of document, with indication, where appropriate, of the relevant passages	Relevant to claim No.
X	US 5 823 781 A (HITCHCOCK ET AL.) 20 October 1998 (1998-10-20) the whole document	1-20
A	US 5 326 270 A (OSTBY ET AL.) 5 July 1994 (1994-07-05) the whole document	1-20
A	US 4 820 167 A (NOBLES ET AL.) 11 April 1989 (1989-04-11) the whole document	1-20

Further documents are listed in the continuation of box C.

Patent family members are listed in annex.

° Special categories of cited documents:

- *A* document defining the general state of the art which is not considered to be of particular relevance
- *E* earlier document but published on or after the international filing date
- *L* document which may throw doubts on priority claim(s) or which is cited to establish the publication date of another citation or other special reason (as specified)
- *O* document referring to an oral disclosure, use, exhibition or other means
- *P* document published prior to the international filing date but later than the priority date claimed

- *T* later document published after the international filing date or priority date and not in conflict with the application but cited to understand the principle or theory underlying the invention
- *X* document of particular relevance; the claimed invention cannot be considered novel or cannot be considered to involve an inventive step when the document is taken alone
- *Y* document of particular relevance; the claimed invention cannot be considered to involve an inventive step when the document is combined with one or more other such documents, such combination being obvious to a person skilled in the art.
- * & * document member of the same patent family

Date of the actual completion of the international search

22 January 2001

Date of mailing of the international search report

30/01/2001

Name and mailing address of the ISA

European Patent Office, P.B. 5818 Patentlaan 2
 NL - 2280 HV Rijswijk
 Tel. (+31-70) 340-2040, Tx. 31 651 epo nl,
 Fax: (+31-70) 340-3016

Authorized officer

Abram, R

INTERNATIONAL SEARCH REPORT

Information on patent family members

International Application No

PCT/US 00/16547

Patent document cited in search report		Publication date	Patent family member(s)	Publication date
US 5823781	A	20-10-1998	AU 4047997 A WO 9805018 A	20-02-1998 05-02-1998
US 5326270	A	05-07-1994	NONE	
US 4820167	A	11-04-1989	NONE	