



US00D428114S

United States Patent [19] Le Bars

[11] Patent Number: Des. 428,114

[45] Date of Patent: ** Jul. 11, 2000

[54] FLOW REGULATOR

5,832,959 11/1998 Szymczakowski et al. 251/309

[75] Inventor: Nicolas Le Bars, Thorigne-Fouillard, France

Primary Examiner—Robin V. Taylor
Attorney, Agent, or Firm—Nixon Peabody LLP; Stuart J. Friedman

[73] Assignee: Legris SA, France

[**] Term: 14 Years

[57] CLAIM

[21] Appl. No.: 29/108,001

The ornamental design for a flow regulator, as shown and described.

[22] Filed: Jul. 20, 1999

DESCRIPTION

[30] Foreign Application Priority Data

Jan. 20, 1999 [FR] France 990322

FIG. 1 is a perspective view of an ornamental design for the flow regulator of the present invention; FIG. 2 is a front view of the flow regulator of FIG. 1; FIG. 3 is a rear view of the flow regulator of FIG. 1; FIG. 4 is a first side view of the flow regulator of FIG. 1; FIG. 5 is a second side view of the flow regulator of FIG. 1; FIG. 6 is a top view of the flow regulator of FIG. 1; and, FIG. 7 is a bottom view of the flow regulator of FIG. 1.

[51] LOC (7) Cl. 23-01

[52] U.S. Cl. D23/233

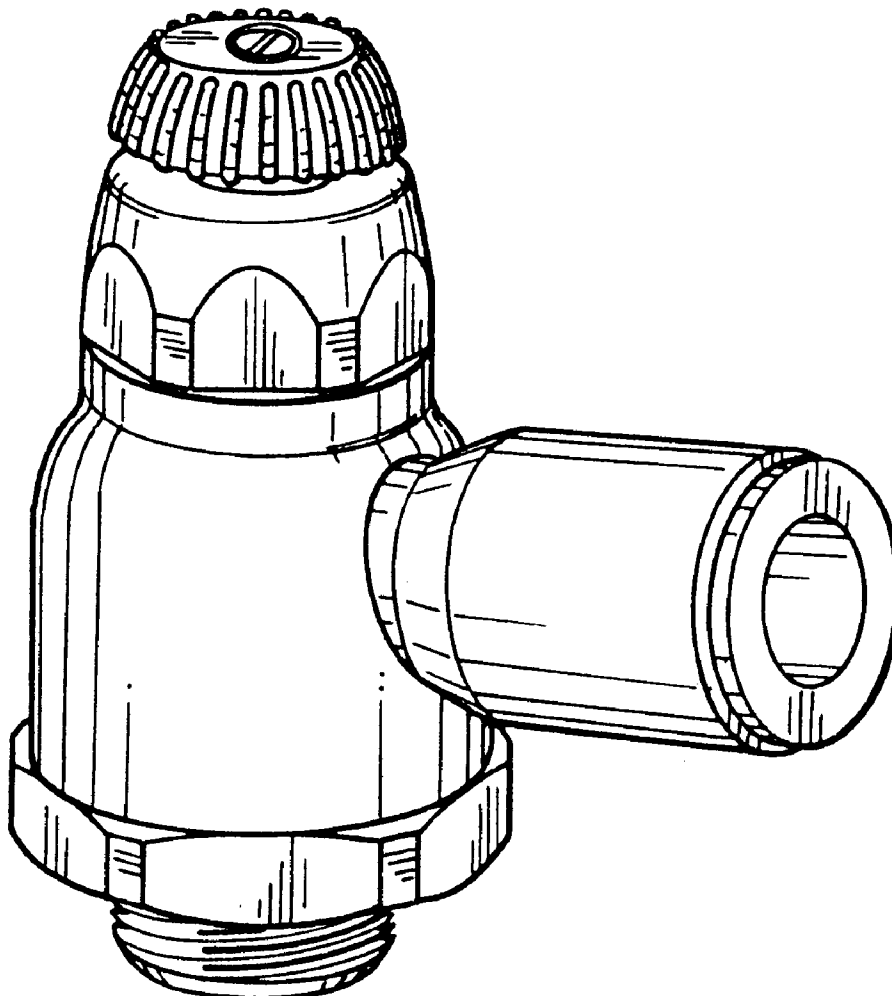
[58] Field of Search D23/233-237; 251/215, 312, 309-310

[56] References Cited

U.S. PATENT DOCUMENTS

5,795,475 8/1998 Luedke et al. 251/309

1 Claim, 7 Drawing Sheets



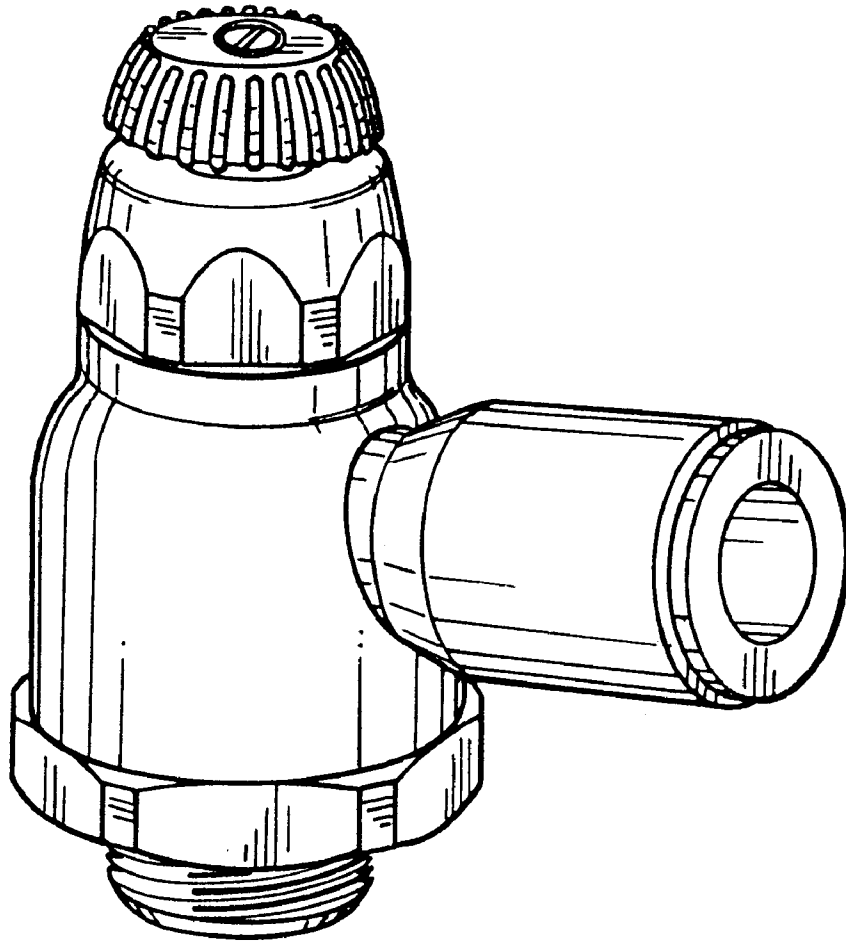


FIG 1

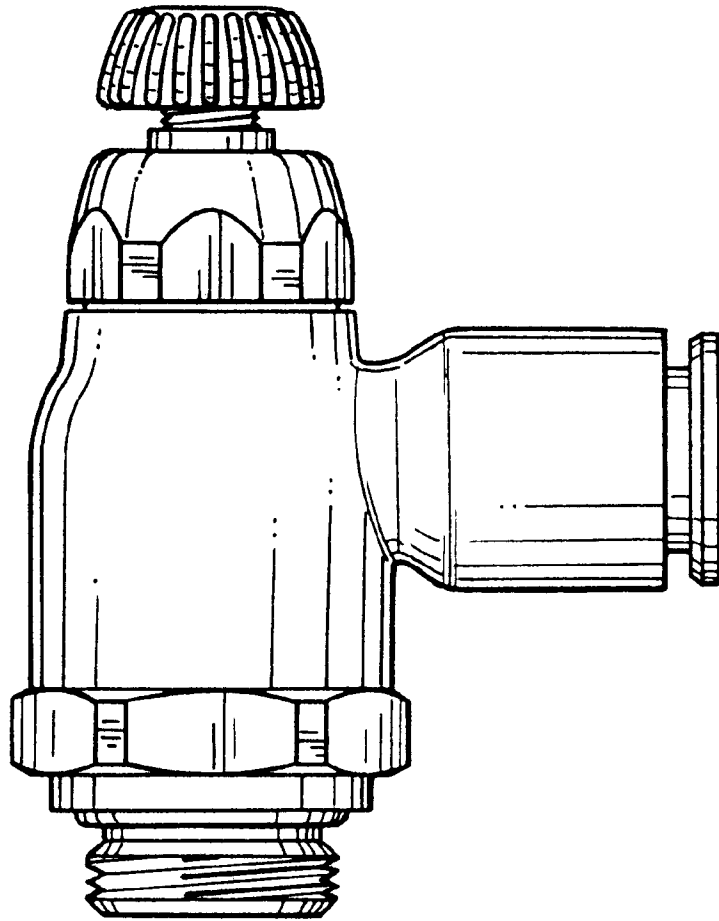


FIG 2

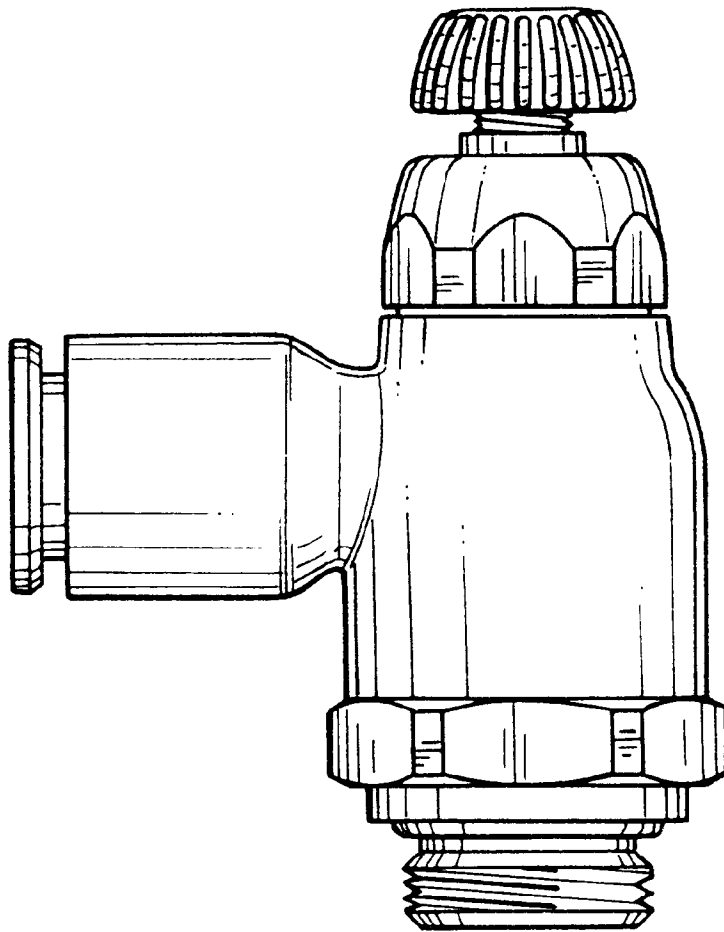


FIG 3

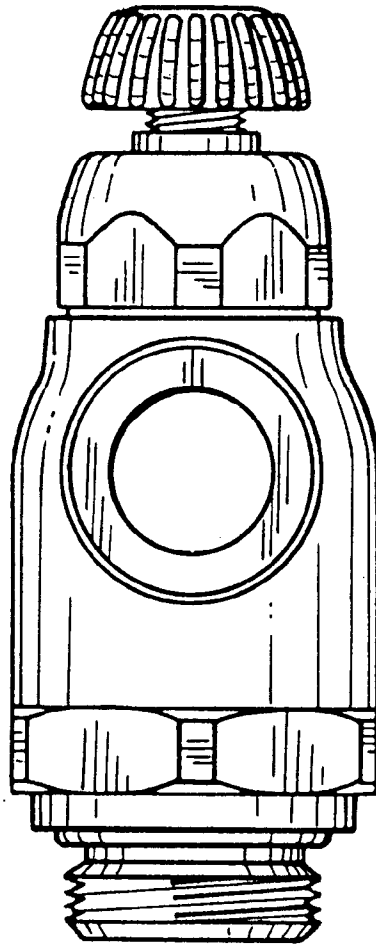


FIG 4

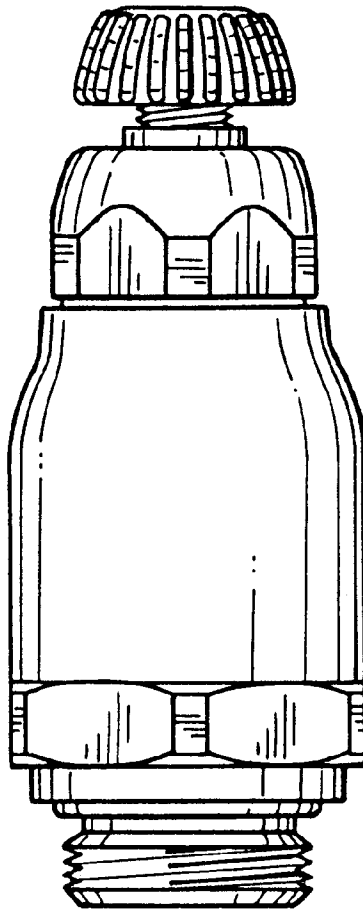


FIG 5

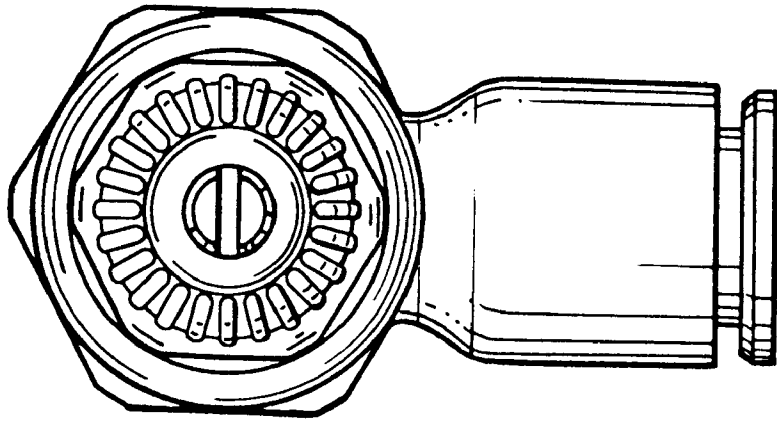


FIG 6

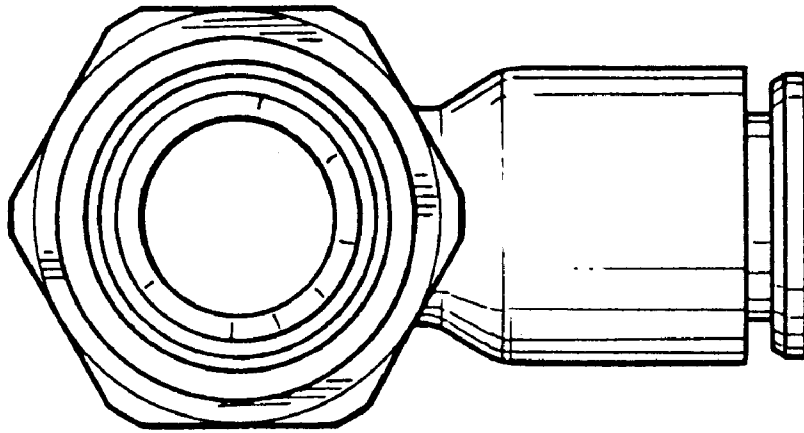


FIG 7