

(19) World Intellectual Property
Organization
International Bureau



(43) International Publication Date
6 May 2005 (06.05.2005)

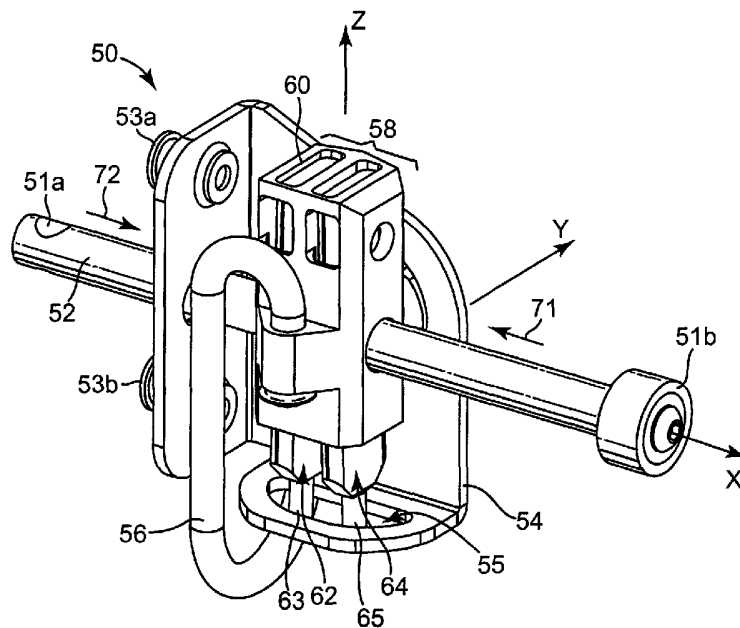
PCT

(10) International Publication Number
WO 2005/040529 A3

- (51) International Patent Classification⁷: E05C 17/20, 19/00
- (21) International Application Number: PCT/US2004/024831
- (22) International Filing Date: 29 July 2004 (29.07.2004)
- (25) Filing Language: English
- (26) Publication Language: English
- (30) Priority Data:
60/510,978 13 October 2003 (13.10.2003) US
60/576,493 3 June 2004 (03.06.2004) US
60/591,342 27 July 2004 (27.07.2004) US
10/900,828 28 July 2004 (28.07.2004) US
- (71) Applicant (for all designated States except US): REELL PRECISION MANUFACTURING CORPORATION [US/US]; 1259 Willow Lake Boulevard, Saint-Paul, MN 55110 (US).
- (72) Inventors: MANZELLA, Mark, N.; 1741 Atlantic Street, Maplewood, MN 55109 (US). BILLINGS, Philip, A.; 534 Tomlyn Avenue, Shoreview, MN 55126 (US).
- (73) Inventor; and
(75) Inventor/Applicant (for US only): JANKOVICH, Daniel, L. [US/US]; 712 West 43rd Street, Minneapolis, MN 55409 (US).
- (74) Agent: KEMPF, Paul, P.; Dicke, Billig & Czaja, PLLC, Suite 2250, Fifth Street Towers, 100 South Fifth Street, Minneapolis, MN 55402 (US).
- (81) Designated States (unless otherwise indicated, for every kind of national protection available): AE, AG, AL, AM, AT, AU, AZ, BA, BB, BG, BR, BW, BY, BZ, CA, CH, CN, CO, CR, CU, CZ, DE, DK, DM, DZ, EC, EE, EG, ES, FI, GB, GD, GE, GH, GM, HR, HU, ID, IL, IN, IS, JP, KE, KG, KP, KR, KZ, LC, LK, LR, LS, LT, LU, LV, MA, MD, MG, MK, MN, MW, MX, MZ, NA, NI, NO, NZ, OM, PG, PH, PL, PT, RO, RU, SC, SD, SE, SG, SK, SL, SY, TJ, TM, TN, TR, TT, TZ, UA, UG, US, UZ, VC, VN, YU, ZA, ZM, ZW.
- (84) Designated States (unless otherwise indicated, for every kind of regional protection available): ARIPO (BW, GH, GM, KE, LS, MW, MZ, NA, SD, SL, SZ, TZ, UG, ZM, ZW), Eurasian (AM, AZ, BY, KG, KZ, MD, RU, TJ, TM),

[Continued on next page]

(54) Title: BRAKE MECHANISM



(57) Abstract: A brake mechanism includes an input, a chassis, a lock and a release mechanism. The input is an axially extending input having first and second ends. The chassis interfaces with the input such that the input is movable relative to the chassis. The lock is coupled to the chassis for constraining movement of the input relative to the lock. The release mechanism is coupled to the lock and is responsive to a force applied relative to the input and the chassis such that when the force is greater than a release force level the release mechanism allows the lock to disengage the input and such that when the force is less than the release force level the release mechanism does not allow the lock to disengage the input.

WO 2005/040529 A3



European (AT, BE, BG, CH, CY, CZ, DE, DK, EE, ES, FI, FR, GB, GR, HU, IE, IT, LU, MC, NL, PL, PT, RO, SE, SI, SK, TR), OAPI (BF, BJ, CF, CG, CI, CM, GA, GN, GQ, GW, ML, MR, NE, SN, TD, TG).

(88) Date of publication of the international search report:
7 July 2005

Published:

- *with international search report*
- *before the expiration of the time limit for amending the claims and to be republished in the event of receipt of amendments*

For two-letter codes and other abbreviations, refer to the "Guidance Notes on Codes and Abbreviations" appearing at the beginning of each regular issue of the PCT Gazette.

INTERNATIONAL SEARCH REPORT

International Application No
PCT/US2004/024831

A. CLASSIFICATION OF SUBJECT MATTER IPC 7 E05C17/20 E05C19/00		
According to International Patent Classification (IPC) or to both national classification and IPC		
B. FIELDS SEARCHED Minimum documentation searched (classification system followed by classification symbols) IPC 7 E05C		
Documentation searched other than minimum documentation to the extent that such documents are included in the fields searched		
Electronic data base consulted during the international search (name of data base and, where practical, search terms used) EPO-Internal		
C. DOCUMENTS CONSIDERED TO BE RELEVANT		
Category °	Citation of document, with indication, where appropriate, of the relevant passages	Relevant to claim No.
X	EP 0 952 289 A (COUTIER MOULAGE GEN IND) 27 October 1999 (1999-10-27) column 3, line 9 - column 5, line 7 figures 1,2 -----	1-11, 15-27, 32
X	DE 199 21 213 A (SCHAEFFLER WAEZLAGER OHG) 9 November 2000 (2000-11-09) column 3, line 46 - column 4, line 37 figures 1,2 -----	1-4, 15-27
A	-----	32
X	US 2 915 777 A (ALLEN EDWIN L) 8 December 1959 (1959-12-08) column 5, line 68 - column 6, line 50 figures 1-5 ----- -/--	1-4, 15-19, 21-24
<input checked="" type="checkbox"/> Further documents are listed in the continuation of box C. <input checked="" type="checkbox"/> Patent family members are listed in annex.		
° Special categories of cited documents :		
"A" document defining the general state of the art which is not considered to be of particular relevance "E" earlier document but published on or after the international filing date "L" document which may throw doubts on priority claim(s) or which is cited to establish the publication date of another citation or other special reason (as specified) "O" document referring to an oral disclosure, use, exhibition or other means "P" document published prior to the international filing date but later than the priority date claimed		"T" later document published after the international filing date or priority date and not in conflict with the application but cited to understand the principle or theory underlying the invention "X" document of particular relevance; the claimed invention cannot be considered novel or cannot be considered to involve an inventive step when the document is taken alone "Y" document of particular relevance; the claimed invention cannot be considered to involve an inventive step when the document is combined with one or more other such documents, such combination being obvious to a person skilled in the art. "&" document member of the same patent family
Date of the actual completion of the international search <p style="text-align: center;">27 April 2005</p>		Date of mailing of the international search report <p style="text-align: center;">04 05. 2005</p>
Name and mailing address of the ISA European Patent Office, P.B. 5818 Patentlaan 2 NL - 2280 HV Rijswijk Tel. (+31-70) 340-2040, Tx. 31 651 epo nl, Fax: (+31-70) 340-3016		Authorized officer <p style="text-align: center;">Bitton, A</p>

INTERNATIONAL SEARCH REPORT

International Application No
PCT/US2004/024831

C.(Continuation) DOCUMENTS CONSIDERED TO BE RELEVANT		
Category °	Citation of document, with indication, where appropriate, of the relevant passages	Relevant to claim No.
X	DE 25 55 756 A (EWIKON ENTWICKLUNG KONSTR) 16 June 1977 (1977-06-16) page 6, paragraph 4 - page 8, paragraph 2 figures 1,2 -----	1-4, 15-19, 21-23
X	DE 199 06 708 A (BAYERISCHE MOTOREN WERKE AG) 24 August 2000 (2000-08-24) column 3, line 29 - line 50 figures 2,4,5 -----	1-4, 15-18
X	DE 202 16 284 U (SMA REGELSYSTEME GMBH) 9 January 2003 (2003-01-09) page 6, line 23 - page 7, line 31 figures 1-3 -----	32
A	FR 2 830 893 A (PEUGEOT CITROEN AUTOMOBILES SA) 18 April 2003 (2003-04-18) page 4, line 26 - page 6, line 16 figures 1-5 -----	1,5,15, 19
A	FR 2 830 893 A (PEUGEOT CITROEN AUTOMOBILES SA) 18 April 2003 (2003-04-18) page 4, line 26 - page 6, line 16 figures 1-5 -----	1,12,28
A	DE 462 915 C (HEINRICH KUECHENMEISTER) 20 July 1928 (1928-07-20) sentence 50 - sentence 61 figure 2 -----	1,12,28

INTERNATIONAL SEARCH REPORT

International application No.
PCT/US2004/024831

Box II Observations where certain claims were found unsearchable (Continuation of item 2 of first sheet)

This International Search Report has not been established in respect of certain claims under Article 17(2)(a) for the following reasons:

1. Claims Nos.:
because they relate to subject matter not required to be searched by this Authority, namely:

2. Claims Nos.:
because they relate to parts of the International Application that do not comply with the prescribed requirements to such an extent that no meaningful International Search can be carried out, specifically:

3. Claims Nos.:
because they are dependent claims and are not drafted in accordance with the second and third sentences of Rule 6.4(a).

Box III Observations where unity of invention is lacking (Continuation of item 3 of first sheet)

This International Searching Authority found multiple inventions in this international application, as follows:

see additional sheet

1. As all required additional search fees were timely paid by the applicant, this International Search Report covers all searchable claims.

2. As all searchable claims could be searched without effort justifying an additional fee, this Authority did not invite payment of any additional fee.

3. As only some of the required additional search fees were timely paid by the applicant, this International Search Report covers only those claims for which fees were paid, specifically claims Nos.:

4. No required additional search fees were timely paid by the applicant. Consequently, this International Search Report is restricted to the invention first mentioned in the claims; it is covered by claims Nos.:

Remark on Protest

- The additional search fees were accompanied by the applicant's protest.
- No protest accompanied the payment of additional search fees.

FURTHER INFORMATION CONTINUED FROM PCT/ISA/ 210

This International Searching Authority found multiple (groups of) inventions in this international application, as follows:

1. claims: 1-11,15-18,19-27,32

Brake mechanism with locking plates

2. claims: 1,12-14, 28-31

Brake mechanism with locking pinion

INTERNATIONAL SEARCH REPORT

International Application No
PCT/US2004/024831

Patent document cited in search report		Publication date	Patent family member(s)	Publication date
EP 0952289	A	27-10-1999	FR 2777934 A1 EP 0952289 A1	29-10-1999 27-10-1999
DE 19921213	A	09-11-2000	DE 19921213 A1	09-11-2000
US 2915777	A	08-12-1959	NONE	
DE 2555756	A	16-06-1977	DE 2555756 A1	16-06-1977
DE 19906708	A	24-08-2000	DE 19906708 A1	24-08-2000
DE 20216284	U	09-01-2003	DE 10233125 A1 DE 20216284 U1	12-02-2004 09-01-2003
FR 2830893	A	18-04-2003	FR 2830893 A1	18-04-2003
DE 462915	C	20-07-1928	NONE	