



US00D752990S

(12) **United States Design Patent**
Dalton

(10) **Patent No.:** **US D752,990 S**

(45) **Date of Patent:** **** Apr. 5, 2016**

- (54) **PERFUME BOTTLE**
- (71) Applicant: **Prada S.A.**, Luxembourg (LU)
- (72) Inventor: **Suzanne Dalton**, Paris (FR)
- (73) Assignee: **Prada S.A.**, Luxembourg (LU)
- (**) Term: **14 Years**
- (21) Appl. No.: **29/514,756**

Primary Examiner — Catherine Tuttle
 (74) *Attorney, Agent, or Firm* — Fross Zelnick Lehman and Zissu P.C.; Charles T. Weigell

(57) **CLAIM**
 The ornamental design for a perfume bottle, as shown and described.

- (22) Filed: **Jan. 15, 2015**
- (51) **LOC (10) Cl.** **09-01**
- (52) **U.S. Cl.**
 USPC **D9/682**
- (58) **Field of Classification Search**
 USPC D9/682-694, 500-505, 718, 719,
 D9/723-729, 516, 517, 520, 521, 523, 526,
 D9/529, 537-546, 549-558, 559-562,
 D9/563-575, 418, 434-436, 439, 440, 443,
 D9/445, 447, 448
 CPC B65D 1/02; B65D 1/0207; B65D 1/0223;
 B65D 1/0261; B65D 1/0276; B65D 1/40;
 B65D 1/44; B65D 13/02; B65D 23/00;
 B65D 83/14; B65D 83/20; B65D 83/22;
 B65D 83/38; B65D 83/384; B65D 83/40;
 B65D 2203/00; B65D 2501/0009; B65D
 2501/0018; B65D 2501/0081; B65D 41/62;
 B65D 39/0047
 See application file for complete search history.

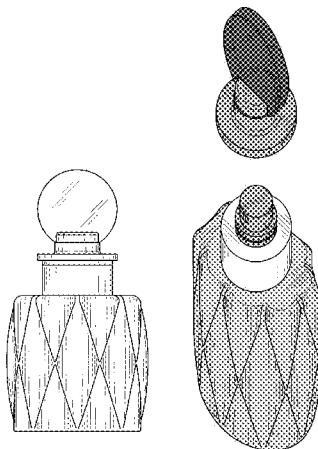
DESCRIPTION

The patent or application file contains at least one drawing executed in color. Copies of this patent or patent application publication with color drawing(s) will be provided by the Office upon request and payment of the necessary fee.

FIG. 1 is a front perspective view of a perfume bottle showing my new design;
 FIG. 2 is a front view of the perfume bottle shown in FIG. 1 (with the back view being a mirror image thereof);
 FIG. 3 is a side view of the perfume bottle shown in FIG. 1 (with the other side view being a mirror image thereof);
 FIG. 4 is a top view of the perfume bottle shown in FIG. 1;
 FIG. 5 is a top view shown with the cap removed for a clear disclosure of the underlying parts;
 FIG. 6 is an exploded perspective view of the perfume bottle in the preceding figures;
 FIG. 7 is a front perspective view of the perfume bottle shown in FIG. 1, shown with cap removed;
 FIG. 8 is a front perspective view of an alternative embodiment of the perfume bottle shown in FIG. 1;
 FIG. 9 is a front view thereof (with the back view being a mirror image thereof);
 FIG. 10 is a side view thereof (with the other side view being a mirror image thereof);
 FIG. 11 is a top view thereof;
 FIG. 12 is a top view of the alternate embodiment shown with the cap removed for a clear disclosure of the underlying parts; and,
 FIG. 13 is an exploded perspective view of the perfume bottle in the preceding figures of the alternate embodiment.

- (56) **References Cited**
- U.S. PATENT DOCUMENTS
- D24,580 S * 8/1895 Lowrey D9/544
- D29,126 S * 8/1898 Barrie D9/544
- (Continued)
- FOREIGN PATENT DOCUMENTS
- CN 302627889 * 11/2013
- CN 302639511 * 11/2013
- (Continued)

1 Claim, 11 Drawing Sheets
(5 of 11 Drawing Sheet(s) Filed in Color)



(56)

References Cited

U.S. PATENT DOCUMENTS

D70,310 S * 6/1926 Becker D9/544
 D76,405 S * 9/1928 Lavault D9/546
 D84,531 S * 6/1931 Maddaford D9/546
 D85,247 S * 9/1931 Knepper D9/560
 D90,047 S * 5/1933 Popp D9/566
 D95,682 S * 5/1935 Harris D9/665
 D100,929 S * 8/1936 Stein D9/563
 D155,562 S * 10/1949 Werner D19/66
 D169,266 S * 4/1953 Lehmann D19/194
 D182,107 S * 2/1958 Colonna de Giovellina .. D9/526
 D187,560 S * 3/1960 Winter D9/545
 D187,886 S * 5/1960 Hurlstone D9/566

D200,268 S * 2/1965 Lorenzen D9/574
 D245,314 S * 8/1977 Mitchell D9/538
 D369,554 S * 5/1996 Heinz D9/544
 D382,486 S * 8/1997 Heinz D9/439
 D394,803 S * 6/1998 Desgrippes D9/443
 D413,521 S * 9/1999 Gager D9/556
 D427,516 S * 7/2000 Legros D9/546
 D443,505 S * 6/2001 Finocchiaro D24/104

FOREIGN PATENT DOCUMENTS

CN 302972302 * 10/2014
 FR 992174-002 * 9/1999
 GB 2079138 * 3/1991

* cited by examiner

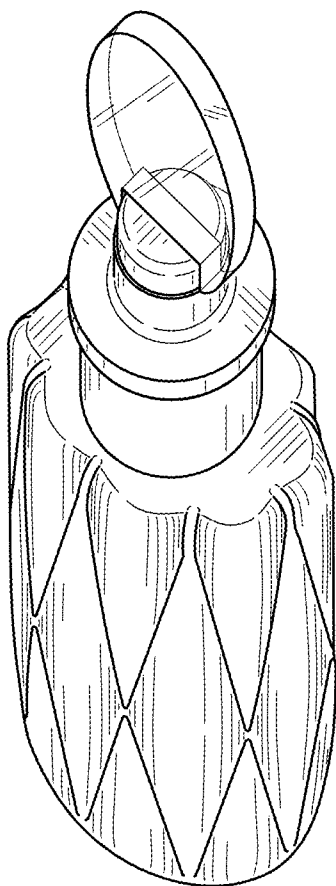


FIG. 1

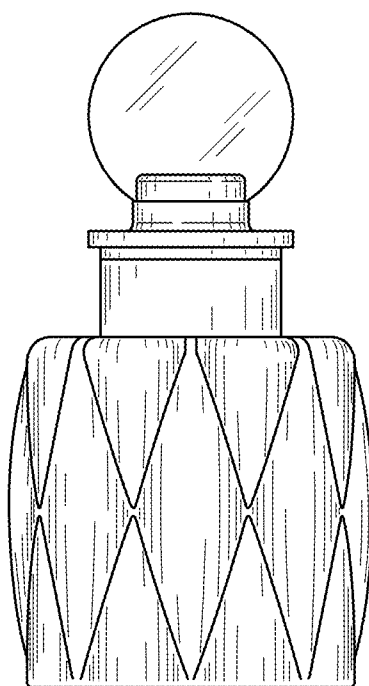


FIG. 2

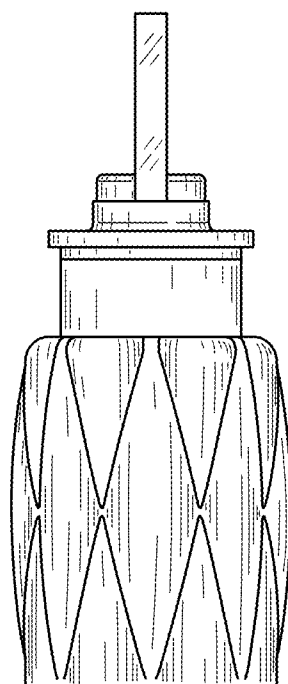


FIG. 3

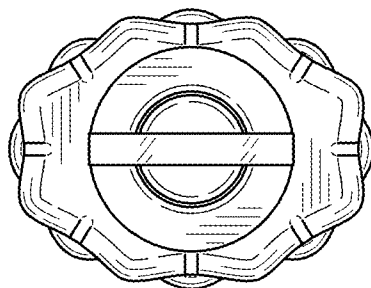


FIG. 4

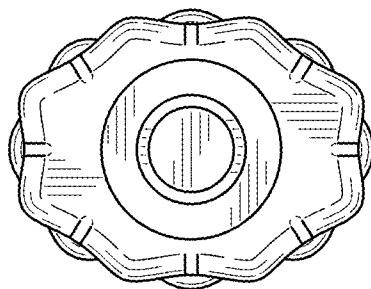


FIG. 5

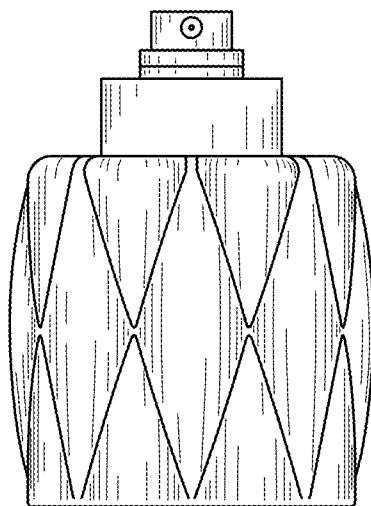
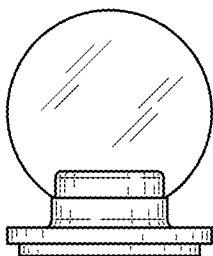


FIG. 6

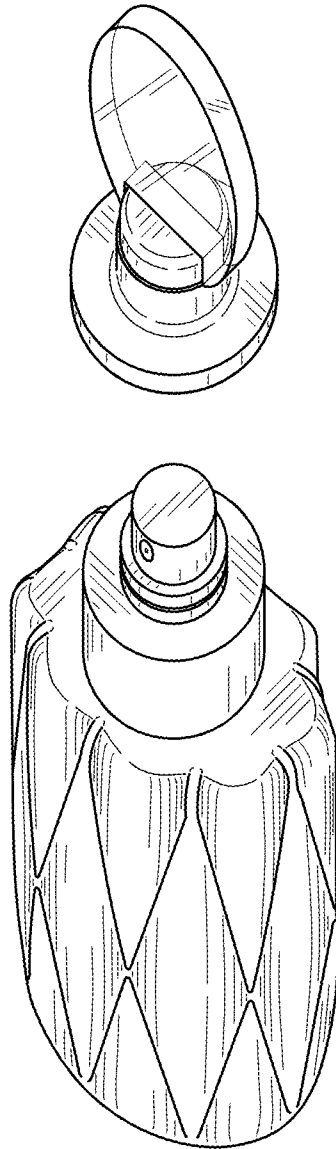


FIG. 7

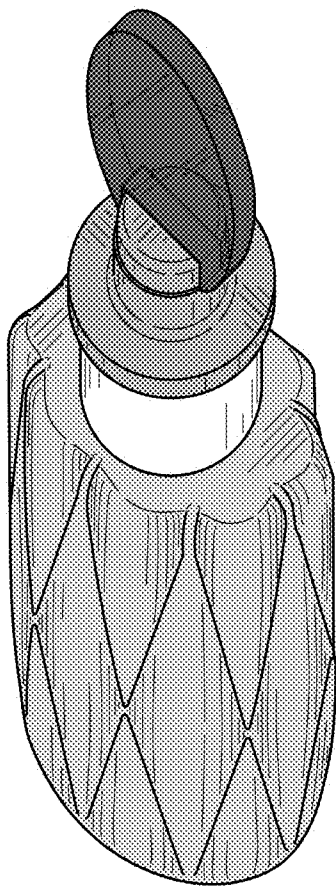


FIG. 8

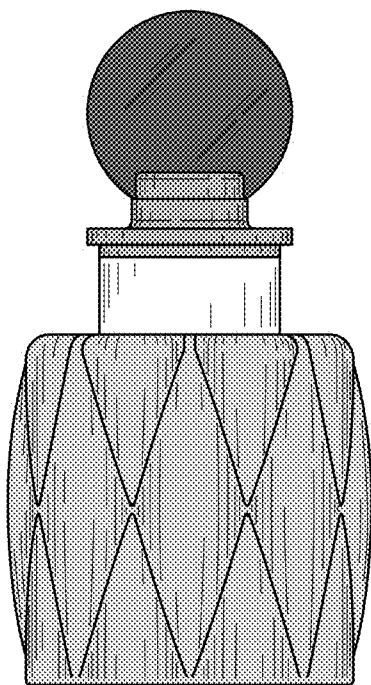


FIG. 9

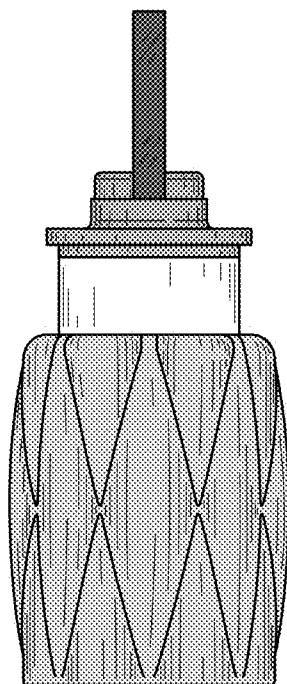


FIG. 10

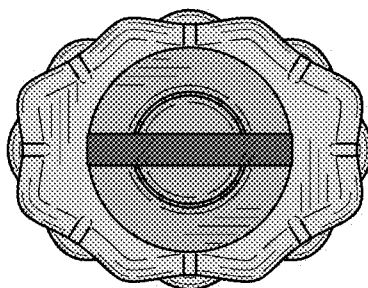


FIG. 11

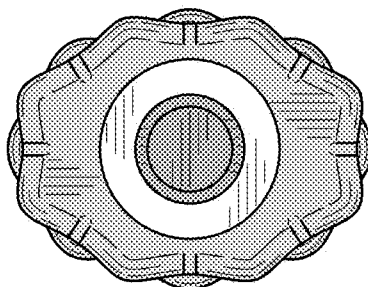


FIG. 12

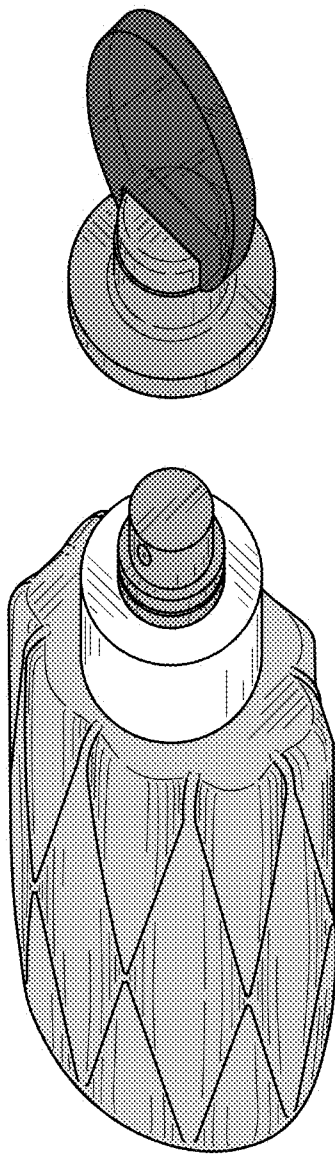


FIG. 13