



US00D610433S

(12) **United States Design Patent**
Garcia et al.

(10) **Patent No.:** **US D610,433 S**

(45) **Date of Patent:** **** Feb. 23, 2010**

(54) **RATCHETING STUBBY WRENCH HANDLE**

(75) Inventors: **Michael Garcia**, Oakland Park, FL (US); **Glenn Robinson**, Coral Springs, FL (US); **Joseph Deguglimo**, Boca Raton, FL (US)

(73) Assignee: **IBT Holdings LLC**, Deerfield Beach, FL (US)

(**) Term: **14 Years**

(21) Appl. No.: **29/312,938**

(22) Filed: **Nov. 24, 2008**

(51) **LOC (9) Cl.** **08-05**

(52) **U.S. Cl.** **D8/107**

(58) **Field of Classification Search** D8/14, D8/14.1, 21, 25, 27, 28, 29, 45, 51, 61-70, D8/82-87, 107, 300, 313, DIG. 1; D7/393-395, D7/649; D15/17, 18; D32/46; 16/110.1, 16/111.1, 422, 430-431, 11 R, 111 R, 114, 16/116, 421, 436; 81/177.1-177.7, 177.85, 81/489, 20, 439-440, 180.1, 436, 57.11, 81/429, 464, 465, 466, 469; 7/151; 15/235.4, 15/235.6, 235.8; 294/55; 173/13, 169, 178, 173/213, 217; 227/8, 114, 120, 130, 136, 227/142; 310/50; 408/20, 124, 125, 234, 408/241 R; 451/358

See application file for complete search history.

(56) **References Cited**

U.S. PATENT DOCUMENTS

5,850,663 A * 12/1998 Hardy et al. 15/236.01

D406,491 S * 3/1999 Cohen et al. D7/395
D436,306 S * 1/2001 Fu-Hui D8/83
D542,619 S * 5/2007 Hung D8/107
D558,009 S * 12/2007 Kinskey D8/25
2007/0204436 A1 * 9/2007 Wang 16/436

* cited by examiner

Primary Examiner—Cathron C Brooks

Assistant Examiner—Barbara Fox

(74) *Attorney, Agent, or Firm*—Dan M. De La Rosa

(57) **CLAIM**

The ornamental design for a ratcheting stubby wrench handle, as shown and described.

DESCRIPTION

FIG. 1 is a right side perspective view of the ratcheting stubby wrench handle of the present invention showing the new design;

FIG. 2 is a left side perspective view thereof;

FIG. 3 is a top plan view thereof;

FIG. 4 is bottom plan view thereof;

FIG. 5 is a front elevational view thereof;

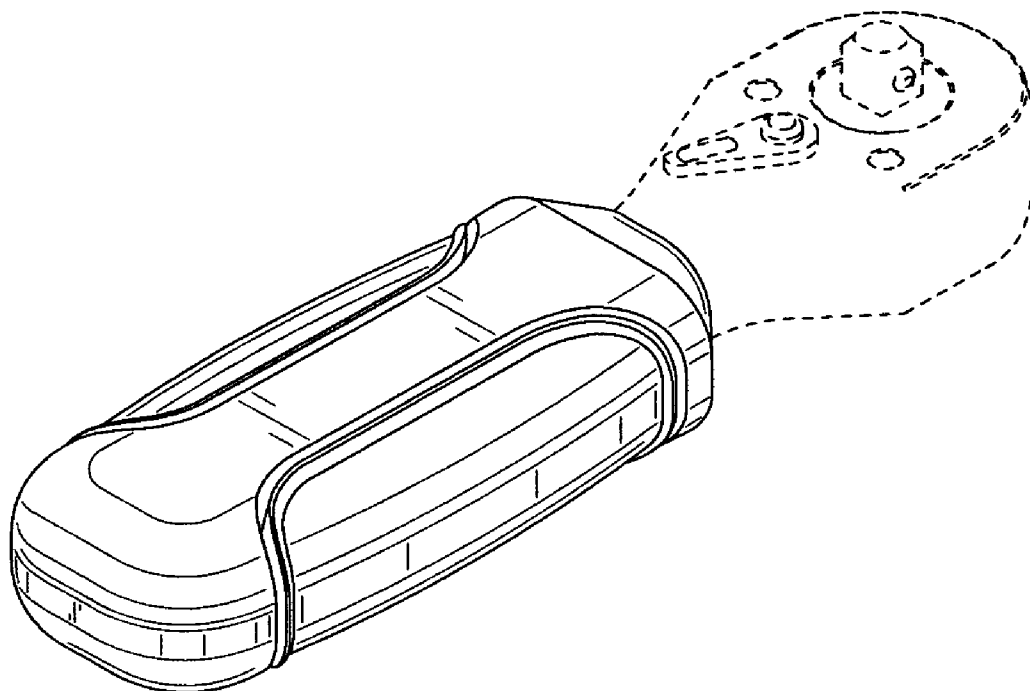
FIG. 6 is a rear elevational view thereof;

FIG. 7 is a right side elevational view thereof; and,

FIG. 8 is a left side elevational view thereof.

The broken lines in the drawings illustrate environmental structure and form no part of the claimed design.

1 Claim, 5 Drawing Sheets



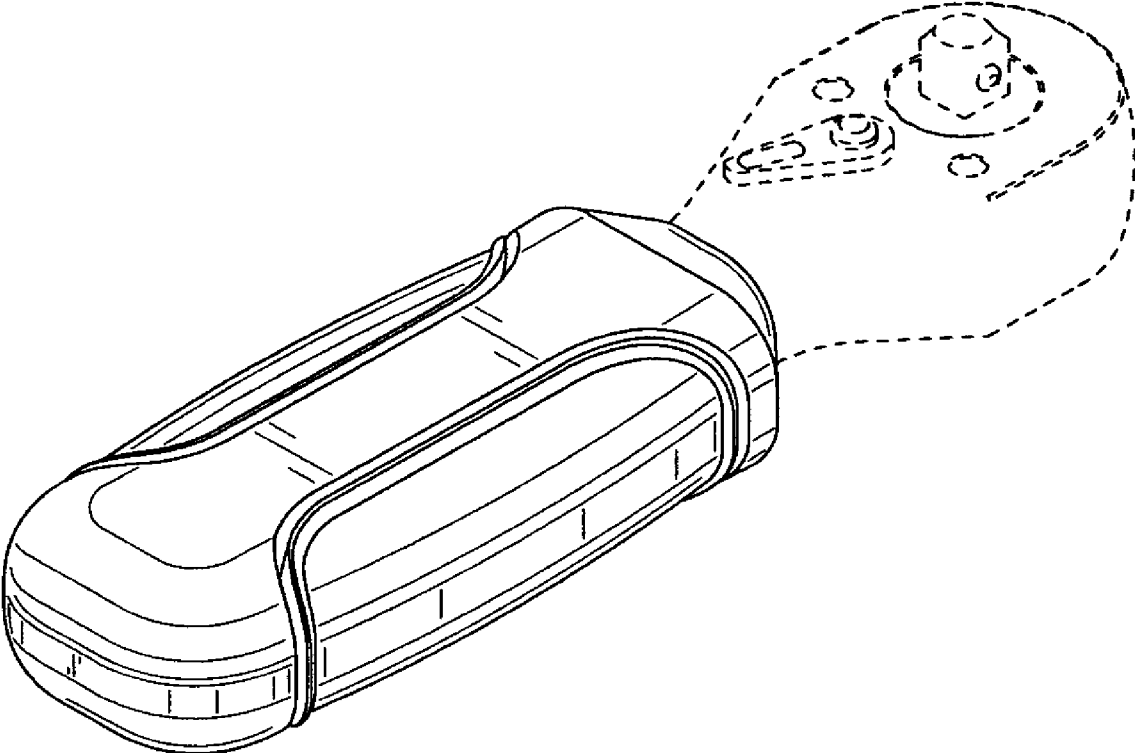


FIG. 1

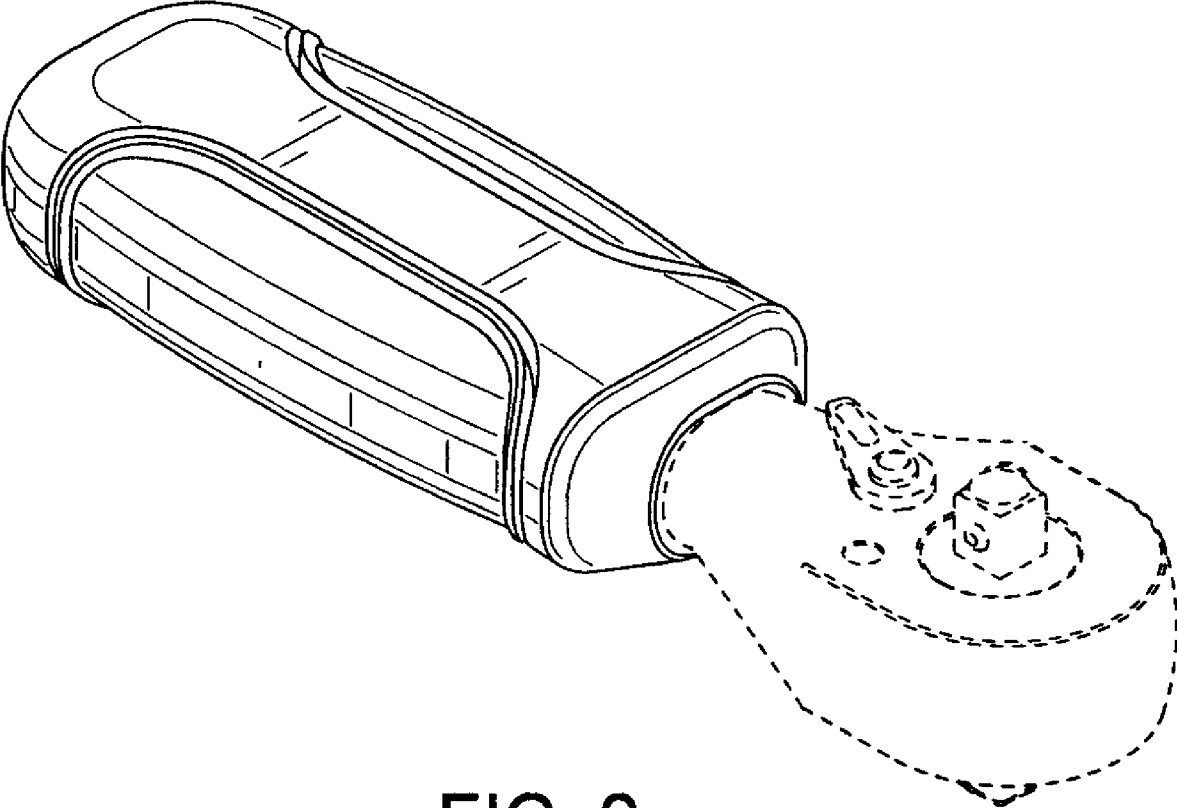


FIG. 2

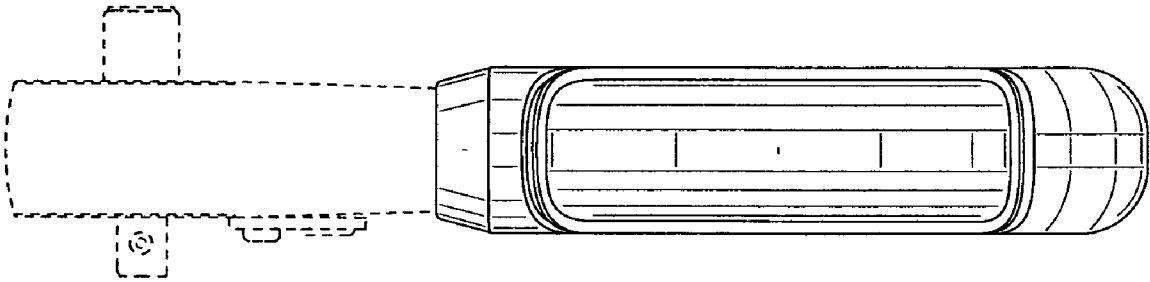


FIG. 3

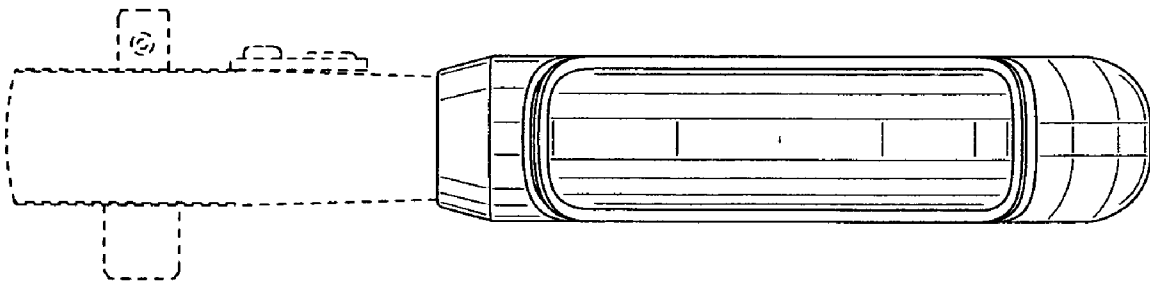


FIG. 4

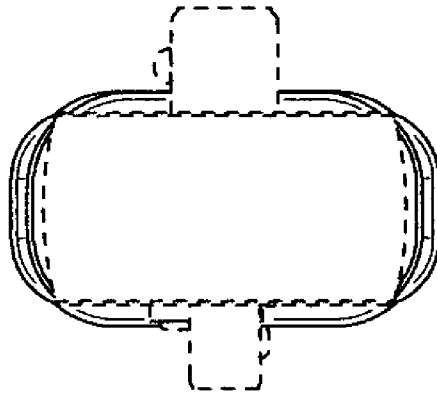


FIG. 5

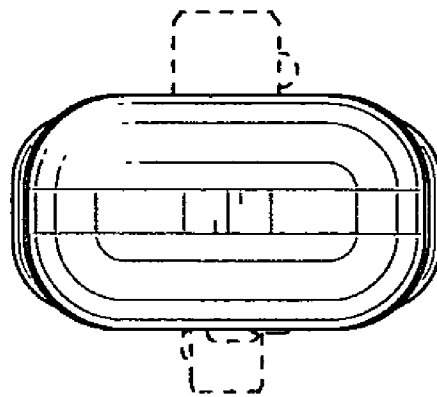


FIG. 6

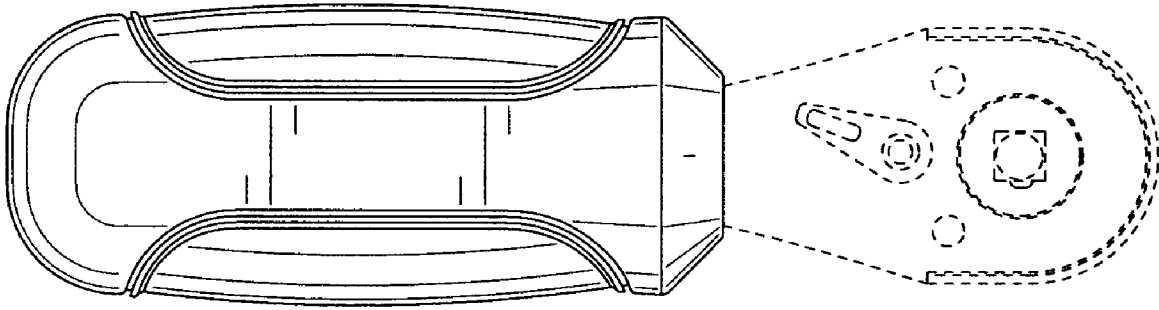


FIG. 7

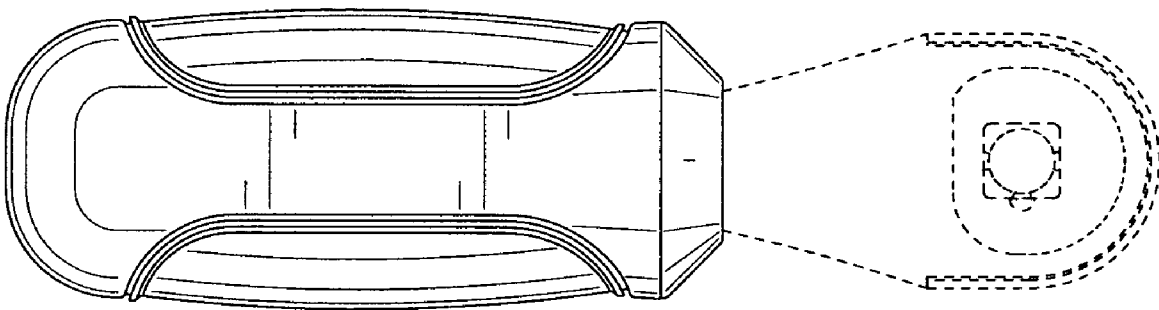


FIG. 8