

US00D571376S

(12) **United States Design Patent**
Kaneko et al.

(10) **Patent No.:** **US D571,376 S**

(45) **Date of Patent:** **** *Jun. 17, 2008**

(54) **MEDIA PLAYER**

(75) Inventors: **Steven T. Kaneko**, Medina, WA (US);
John Ikeda, Seattle, WA (US); **Carl J. Ledbetter**, Mercer Island, WA (US);
Jared Randall, Seattle, WA (US)

(73) Assignee: **Microsoft Corporation**, Redmond, WA (US)

(*) Notice: This patent is subject to a terminal disclaimer.

(**) Term: **14 Years**

(21) Appl. No.: **29/247,799**

(22) Filed: **Jul. 12, 2006**

(51) **LOC (8) Cl.** **14-03**

(52) **U.S. Cl.** **D14/496**

(58) **Field of Classification Search** D14/496,
D14/401, 435, 474, 483, 217, 137, 138, 160,
D14/168; 345/156, 169, 173-179, 905; 715/727-729,
715/864; 455/11.1, 7, 73, 344-347, 93, 95;
370/342-344; 369/1, 2, 6, 12; 463/43-47;
273/148 B

See application file for complete search history.

(56) **References Cited**

U.S. PATENT DOCUMENTS

6,122,526 A * 9/2000 Parulski et al. 455/556.1
D436,349 S * 1/2001 Kim D14/156

D451,488 S * 12/2001 Foster D14/156
D452,226 S * 12/2001 Simpson et al. D14/167
D487,898 S * 3/2004 Cobigo D14/496
D494,188 S * 8/2004 Huang D14/496
7,046,230 B2 * 5/2006 Zadesky et al. 345/156
D533,566 S * 12/2006 Lee D14/496
D540,346 S * 4/2007 Jaakkola D14/496
D546,345 S * 7/2007 Kim et al. D14/496
7,258,449 B2 * 8/2007 Chong et al. 353/85
D553,640 S * 10/2007 Kimura et al. D14/496

* cited by examiner

Primary Examiner—Prabhakar Deshmukh

(74) *Attorney, Agent, or Firm*—Banner & Witcoff, Ltd.

(57) **CLAIM**

The ornamental design for a media player, as shown and described.

DESCRIPTION

FIG. 1 is a front isometric view of a media player showing our new design;

FIG. 2 is a front elevational view thereof;

FIG. 3 is a rear elevational view thereof;

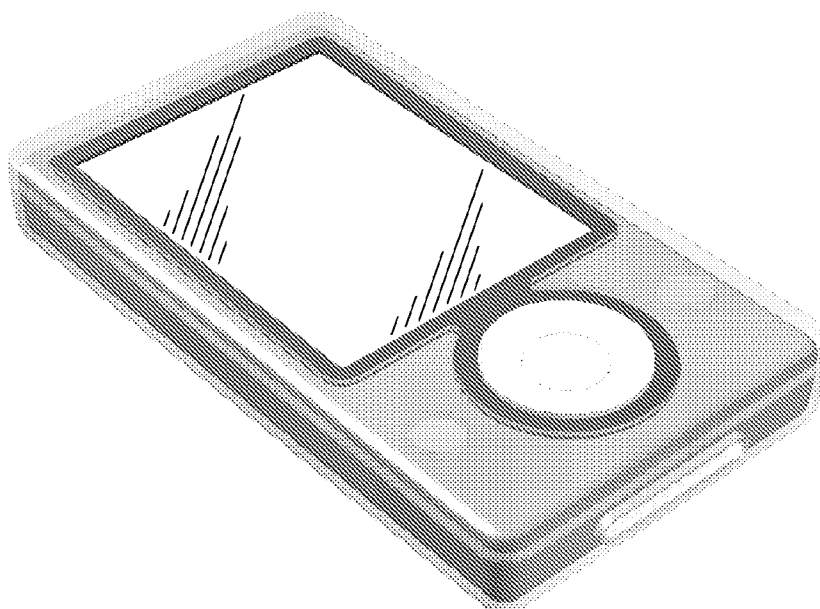
FIG. 4 is a left side elevational view thereof;

FIG. 5 is a right side elevational view thereof;

FIG. 6 is a top plan view thereof; and,

FIG. 7 is a bottom plan view thereof.

1 Claim, 4 Drawing Sheets



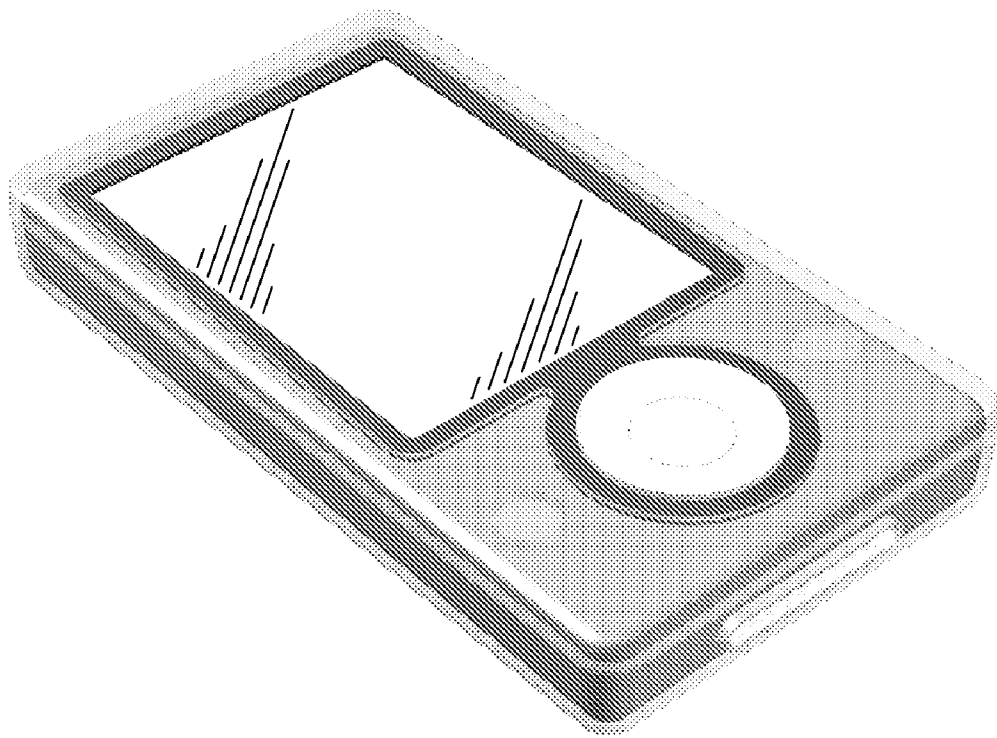


FIG. 1

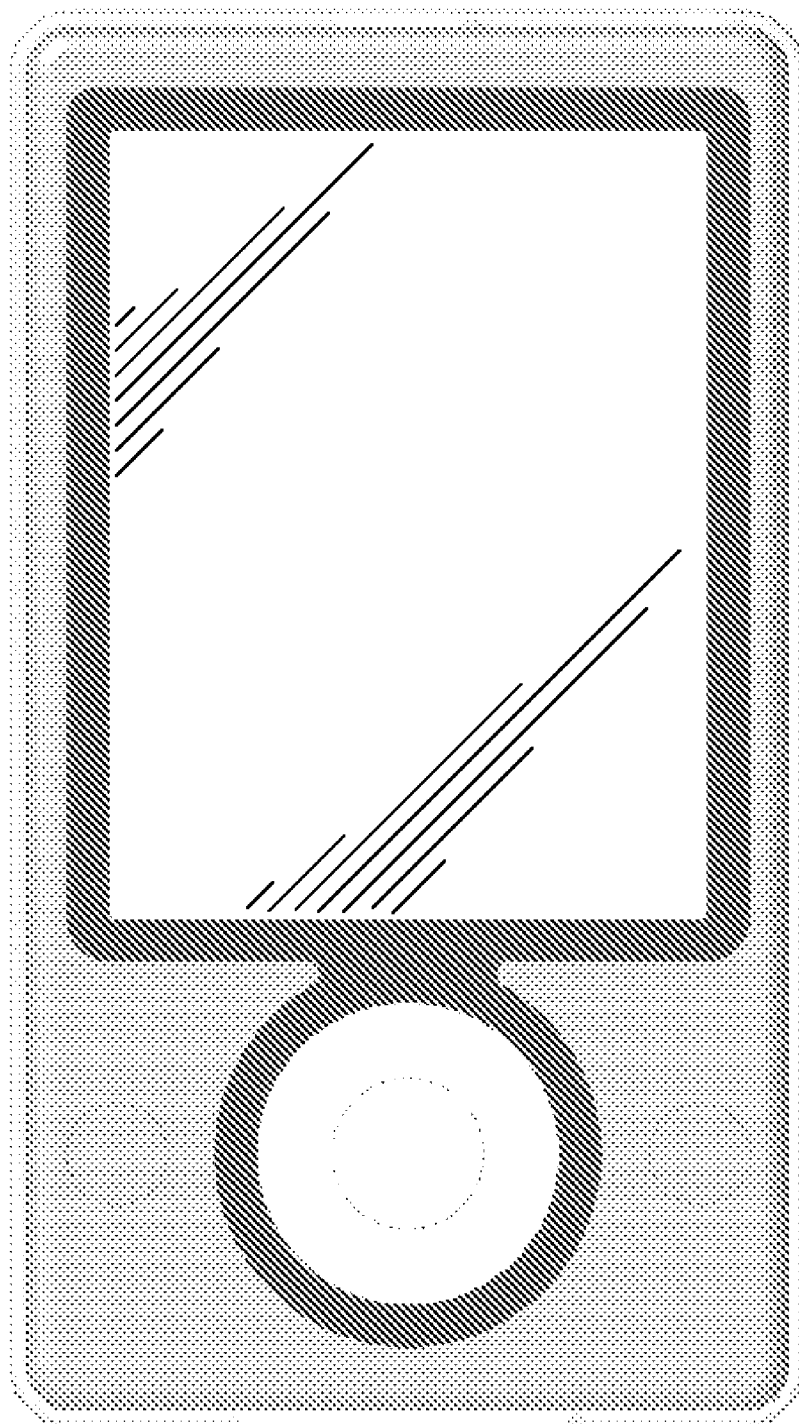


FIG. 2

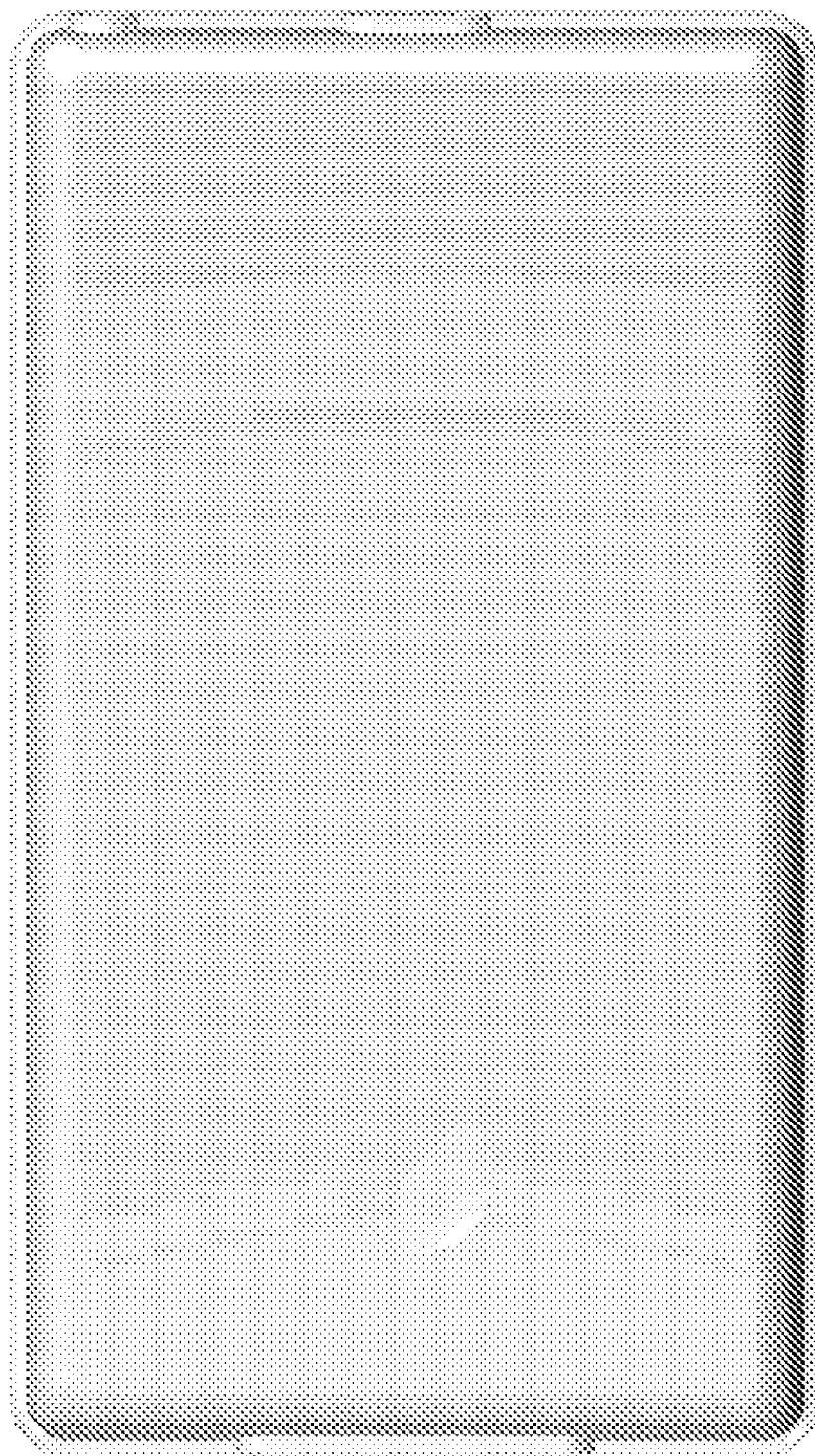


FIG. 3

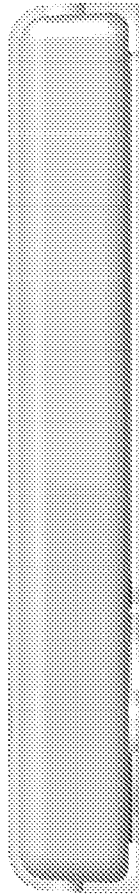


FIG. 4

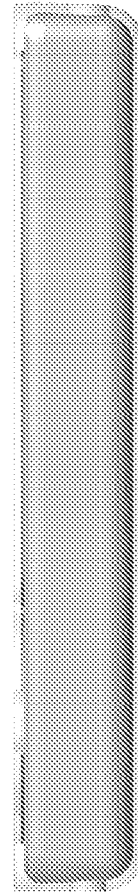


FIG. 5

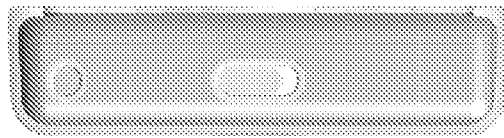


FIG. 6

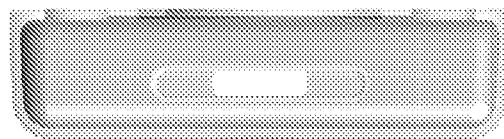


FIG. 7