



US00D757706S

(12) **United States Design Patent**  
**Taing**

(10) **Patent No.:** **US D757,706 S**

(45) **Date of Patent:** **\*\* May 31, 2016**

(54) **POD FOR A DEVICE**

(71) Applicant: **Susan Taing**, New York, NY (US)

(72) Inventor: **Susan Taing**, New York, NY (US)

(\*\*) Term: **14 Years**

(21) Appl. No.: **29/484,984**

(22) Filed: **Mar. 14, 2014**

(51) **LOC (10) Cl.** ..... **14-03**

(52) **U.S. Cl.**

USPC ..... **D14/253**

(58) **Field of Classification Search**

USPC ..... D14/251–253, 151, 130, 142, 144, 149,  
D14/150, 155, 158, 159, 217, 226, 229, 240,  
D14/307, 336, 399, 329; D21/517;  
D13/107, 108, 168; D10/1–4, 15,  
D10/23–27, 65; D8/349; D6/303, 310, 376,  
D6/377; 379/88.17, 90.01, 93.17, 93.23,  
379/387.01, 388.02, 419–420.04, 420.02,  
379/428.01–428.04, 434–436, 440,  
379/446–447, 454–455; 455/575.1; D19/88  
CPC ..... H04M 1/04; H04M 1/06; H04M 1/011;  
F16M 11/04; F16M 11/041  
See application file for complete search history.

(56) **References Cited**

**U.S. PATENT DOCUMENTS**

D217,688 S *	5/1970	Zimmerman	.....	D21/707
D282,970 S *	3/1986	Parkin	.....	D25/16
D309,199 S *	7/1990	McMahon	.....	D30/118
D315,644 S *	3/1991	White	.....	D6/344
D360,723 S *	7/1995	Kasai et al.	.....	D32/73
D388,839 S *	1/1998	Hsieh	.....	D21/419
D407,440 S *	3/1999	Vanlandingham, Jr.	.....	D19/88
D414,045 S *	9/1999	Morrow	.....	D6/347
D418,166 S *	12/1999	Dill	.....	D19/88
D427,590 S *	7/2000	Mou	.....	D14/253
D446,513 S *	8/2001	Mou	.....	D14/253
D456,351 S *	4/2002	Yoneda	.....	D13/108
D459,299 S *	6/2002	Hughes et al.	.....	D13/108

D460,971 S *	7/2002	Sica et al.	.....	D14/434
D462,321 S *	9/2002	Ullmann	.....	D13/108
D463,361 S *	9/2002	Ruohonen	.....	D13/108
D468,305 S *	1/2003	Ma et al.	.....	D14/253
D477,920 S *	8/2003	McCarty et al.	.....	D6/310
D478,073 S *	8/2003	Topinka	.....	D14/253
D483,016 S *	12/2003	Ma et al.	.....	D13/108
D488,836 S *	4/2004	Ghim	.....	D19/90
D497,725 S *	11/2004	Marmentini	.....	D6/347

(Continued)

**OTHER PUBLICATIONS**

OH730—China Mobile Phone Holder—D-Elf—Shenzhen Elf Digital Technology Co. hrgroupshining.en.made-in-china.com(online) 1 pg. Uploaded Dec. 11, 2011 [retrieved on Jun. 5, 2015]. Retrieved from Internet: <http://hrgroupshining.en.made-in-china.com/product/joyJmRCOMDkN/China-Mobile-Phone-Holder-OH730-.html>.\*

(Continued)

*Primary Examiner* — Susan Bennett Hattan  
*Assistant Examiner* — Marie Fast Horse  
(74) *Attorney, Agent, or Firm* — Fish & Richarsson P.C.

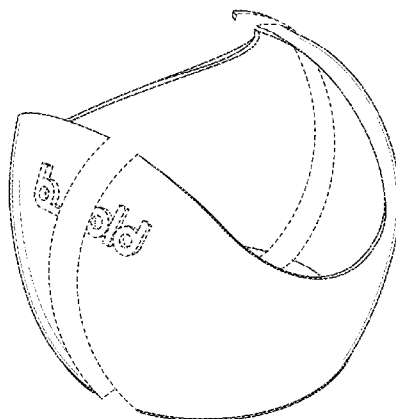
(57) **CLAIM**

The ornamental design for a pod for a device, as shown and described.

**DESCRIPTION**

FIG. 1 is a front, top, and side perspective view of a pod for a device embodying our new design.  
FIG. 2 is a front view thereof.  
FIG. 3 is a back view thereof.  
FIG. 4 is a right side view thereof.  
FIG. 5 is a left side view thereof.  
FIG. 6 is a top view thereof; and,  
FIG. 7 is a bottom view thereof.  
The broken lines that cut through the middle of the pod for a device depict break-away lines and form no part of the claimed design.

**1 Claim, 4 Drawing Sheets**



(56)

References Cited

U.S. PATENT DOCUMENTS

D501,887 S \* 2/2005 Lee ..... D19/90  
 D507,305 S \* 7/2005 Dill ..... D19/90  
 D510,208 S \* 10/2005 Klimas ..... D6/682  
 D511,492 S \* 11/2005 Allende Fritsch ..... D13/108  
 D516,025 S \* 2/2006 Quinn ..... D13/108  
 D523,809 S \* 6/2006 Roth et al. .... D13/108  
 D525,583 S \* 7/2006 Vu ..... D13/108  
 D532,746 S \* 11/2006 Meyers et al. .... D13/108  
 D535,969 S \* 1/2007 Haney ..... D14/148  
 D547,319 S \* 7/2007 Chang ..... D14/454  
 D557,259 S \* 12/2007 Hirsch ..... D14/217  
 D558,193 S \* 12/2007 Ju ..... D14/253  
 D591,064 S \* 4/2009 Lee et al. .... D6/334  
 D600,680 S \* 9/2009 Mead et al. .... D14/217  
 D605,306 S \* 12/2009 Arnell ..... D25/31  
 D605,875 S \* 12/2009 Buzzard et al. .... D6/682  
 D607,458 S \* 1/2010 Hui et al. .... D14/434  
 D615,491 S \* 5/2010 Emminger ..... D13/108  
 D625,833 S \* 10/2010 Flanagan ..... D25/21  
 D640,248 S \* 6/2011 Baumann et al. .... D14/253  
 D644,076 S \* 8/2011 Moman ..... D8/38  
 D644,077 S \* 8/2011 Moman ..... D8/38

D654,921 S \* 2/2012 Malsan ..... D14/447  
 D657,505 S \* 4/2012 Viola ..... D30/160  
 D659,696 S \* 5/2012 Lanza ..... D14/447  
 D666,204 S \* 8/2012 Han ..... D14/447  
 D674,148 S \* 1/2013 Brown ..... D29/114  
 D696,734 S \* 12/2013 Matsushita ..... D21/662  
 D701,831 S \* 4/2014 Park et al. .... D13/108  
 D706,046 S \* 6/2014 Habiche ..... D6/361  
 D707,624 S \* 6/2014 Morrison et al. .... D13/108  
 D711,366 S \* 8/2014 Lui et al. .... D14/253  
 D720,148 S \* 12/2014 Urquiola ..... D6/369  
 D720,564 S \* 1/2015 Buller ..... D6/682  
 D721,033 S \* 1/2015 Fujioka ..... D13/108

OTHER PUBLICATIONS

Nexus 4 Dock Sphere. thingiverse.com (online) 5 pgs. Uploaded Jan. 27, 2013 [retrieved on Jun. 4, 2015]. Retrieved from Internet: <<http://www.thingiverse.com/thing:44773>>.\*  
 Nice decorate mobile phone—OH730—D-Elf. phone\_decoration.china-direct-buy.com(online) 4 pgs. Uploaded: as early as Aug. 1, 2011 [retrieved on Jun. 5, 2015]. Retrieved from Internet: <[http://phone\\_decoration.china-direct-buy.com/v/4/product\\_detail/7935637/nice\\_decorate\\_mobile\\_phone\\_stand.html](http://phone_decoration.china-direct-buy.com/v/4/product_detail/7935637/nice_decorate_mobile_phone_stand.html)>.\*

\* cited by examiner

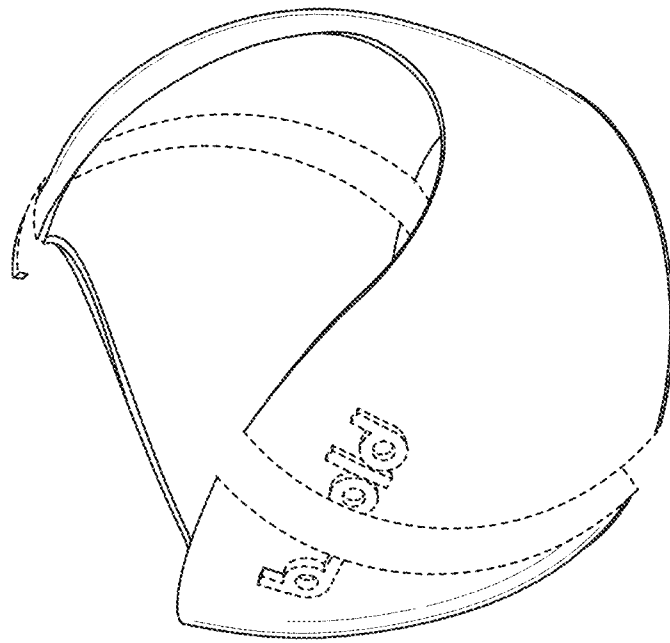


FIG. 1

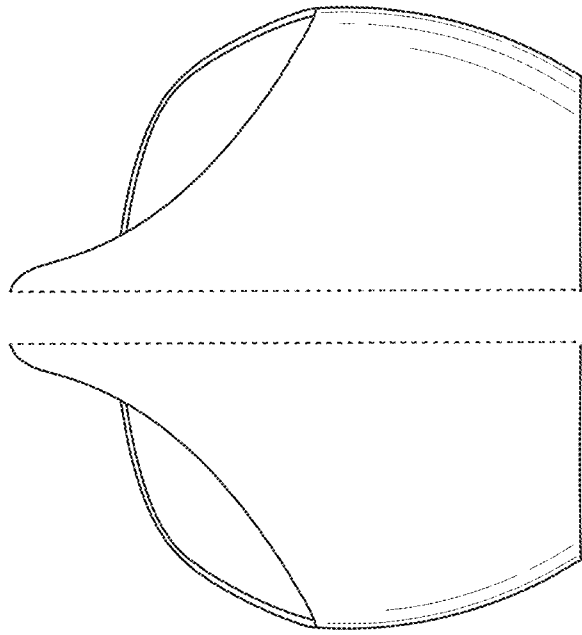


FIG. 2

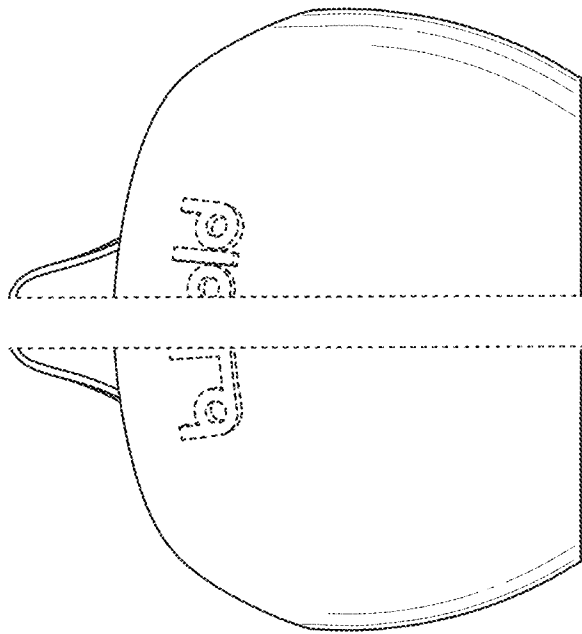


FIG. 3

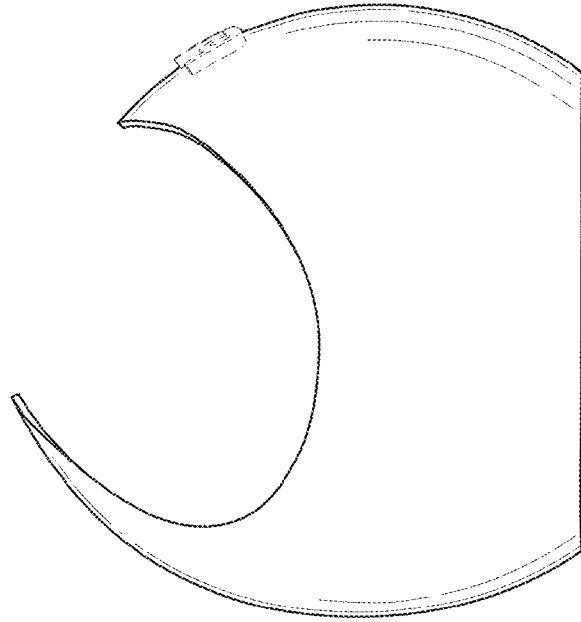


FIG. 5

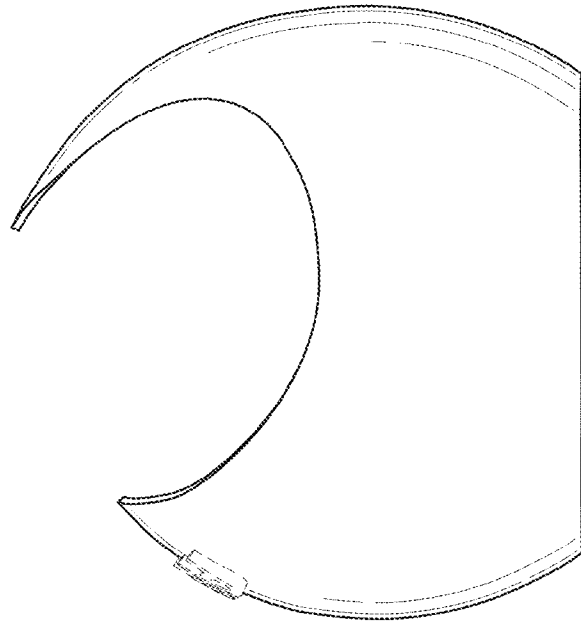


FIG. 4

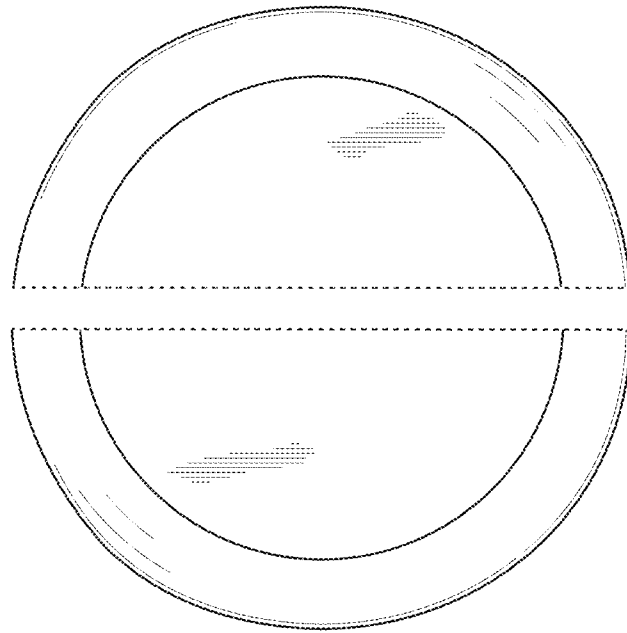


FIG. 7

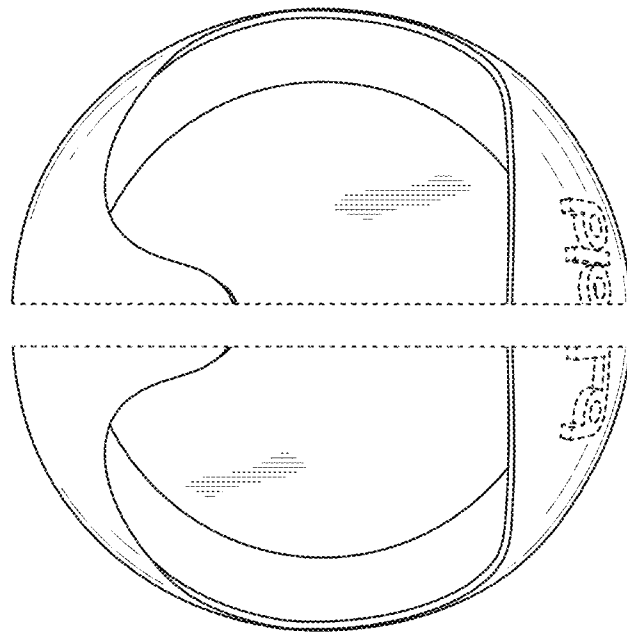


FIG. 6