



US00D978214S

(12) **United States Design Patent**
Sjögren et al.

(10) **Patent No.:** **US D978,214 S**

(45) **Date of Patent:** **** *Feb. 14, 2023**

(54) **CAMERA**

(71) Applicant: **Axis AB**, Lund (SE)

(72) Inventors: **Jonas Sjögren**, Lund (SE); **Mathias Walter**, Lund (SE); **Mariano Vozzi**, Lund (SE); **Lisong Gu**, Lund (SE)

(73) Assignee: **Axis AB**, Lund (SE)

(*) Notice: This patent is subject to a terminal disclaimer.

(**) Term: **15 Years**

(21) Appl. No.: **29/786,585**

(22) Filed: **Jun. 1, 2021**

(30) **Foreign Application Priority Data**

Dec. 3, 2020 (EM) 008306906-0004

(51) **LOC (14) Cl.** **16-01**

(52) **U.S. Cl.**
USPC **D16/202**

(58) **Field of Classification Search**
USPC D16/200, 202–204, 208, 211, 214, 218,
D16/219, 243; D10/57, 70
CPC G03B 17/00; G03B 17/02; G03B 2217/00;
H04N 5/225
See application file for complete search history.

(56) **References Cited**

U.S. PATENT DOCUMENTS

D537,856 S *	3/2007	Tsao	D16/202
D542,820 S *	5/2007	Depay	D16/202
D564,004 S *	3/2008	Ikeda	D16/202
D614,223 S *	4/2010	Kim	D16/202
D692,939 S	11/2013	Huang et al.	
D697,119 S *	1/2014	Park	D16/202
D730,421 S *	5/2015	Huang	D16/202
D733,780 S *	7/2015	Chen	D16/202
D741,932 S *	10/2015	Huang	D16/202

D764,559 S	8/2016	Luo et al.	
D820,339 S *	6/2018	Yau	D16/203
D858,604 S *	9/2019	Clement	D16/203
D865,840 S *	11/2019	White	D16/203
D865,845 S *	11/2019	Sakai	D16/218
D890,832 S *	7/2020	Andres	D16/214
D898,098 S *	10/2020	White	D16/203
D903,737 S *	12/2020	Han	D16/202

(Continued)

FOREIGN PATENT DOCUMENTS

CN	304657958 S	6/2018
CN	305751390 S	5/2020

(Continued)

OTHER PUBLICATIONS

“Axis TW1201,” date not available, retrieved Sep. 12, 2022 from <https://www.axis.com/dam/public/d0/8d/18/datasheet-axis-tw1201-body-worn-mini-cube-sensor-en-US-335754.pdf> (Year: 2022).*

Primary Examiner — Maria J. Edwards
Assistant Examiner — Dina Michelle Hoeynck
(74) *Attorney, Agent, or Firm* — Tucker Ellis LLP

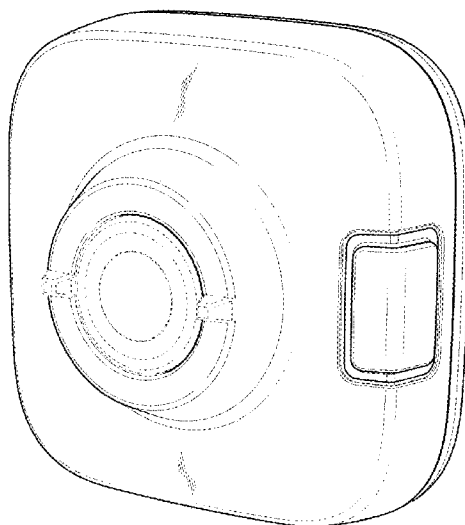
(57) **CLAIM**

The ornamental design for a camera, as shown and described.

DESCRIPTION

FIG. 1 is a front, left side, top perspective view of a camera showing our new design;
FIG. 2 is a front view thereof;
FIG. 3 is a rear view thereof;
FIG. 4 is a left side view thereof;
FIG. 5 is a right side view thereof;
FIG. 6 is a top view thereof; and,
FIG. 7 is a bottom view thereof.
The broken lines in the drawings illustrate portions of the camera that form no part of the claimed design.

1 Claim, 4 Drawing Sheets



(56)

References Cited

U.S. PATENT DOCUMENTS

D914,076 S * 3/2021 Abel D16/202
D930,062 S * 9/2021 Abel D16/202
D942,284 S * 2/2022 Burns D10/70
D952,728 S * 5/2022 Huang D16/203
2007/0297788 A1 * 12/2007 Wahl H04N 5/2252
396/419
2020/0252527 A1 * 8/2020 Nakamura G03B 17/02

FOREIGN PATENT DOCUMENTS

CN 305957328 S 7/2020
EM 008306906-0001 * 12/2020
EM 008306906-0002 * 12/2020
EM 008306906-0003 * 12/2020
EM 008306906-0004 * 12/2020
EM 008306906-0005 * 12/2020
KR 3008949280000 2/2017
TW D145273 S 2/2012
TW D169070 S 7/2015

* cited by examiner

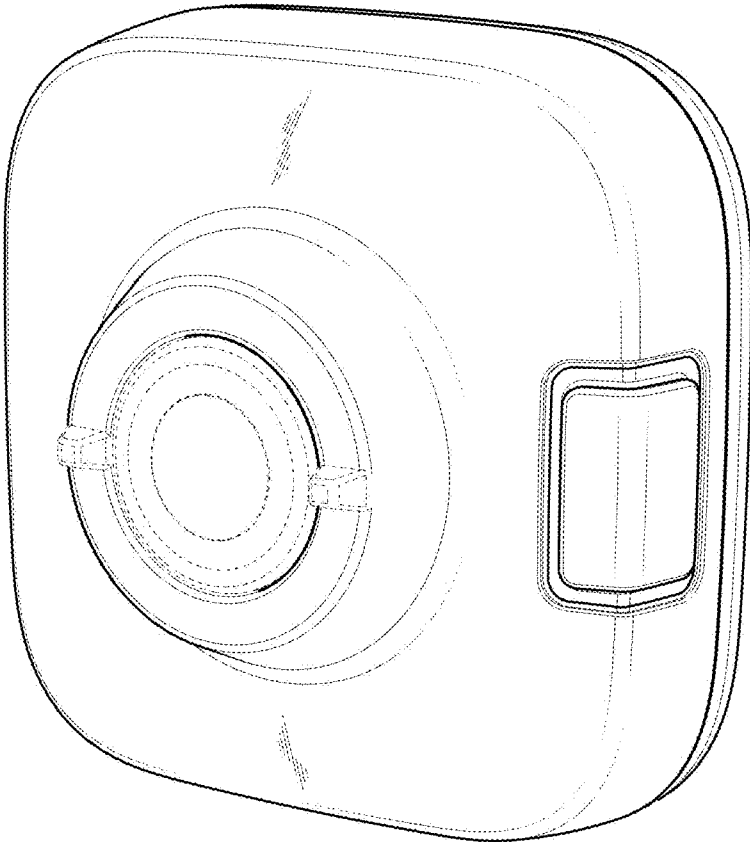


FIG. 1

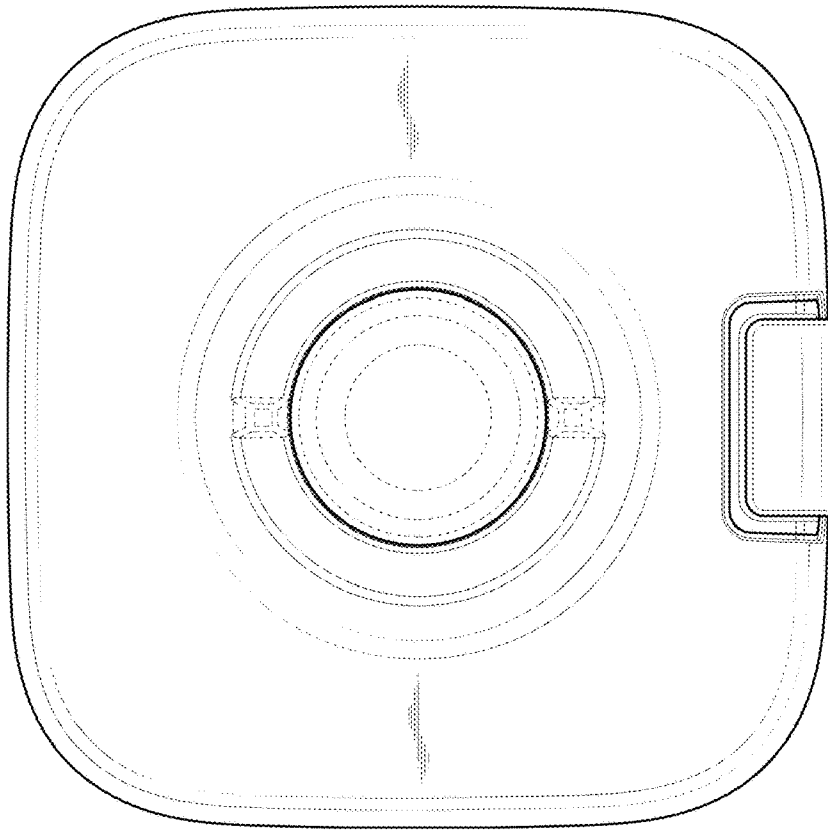


FIG. 2

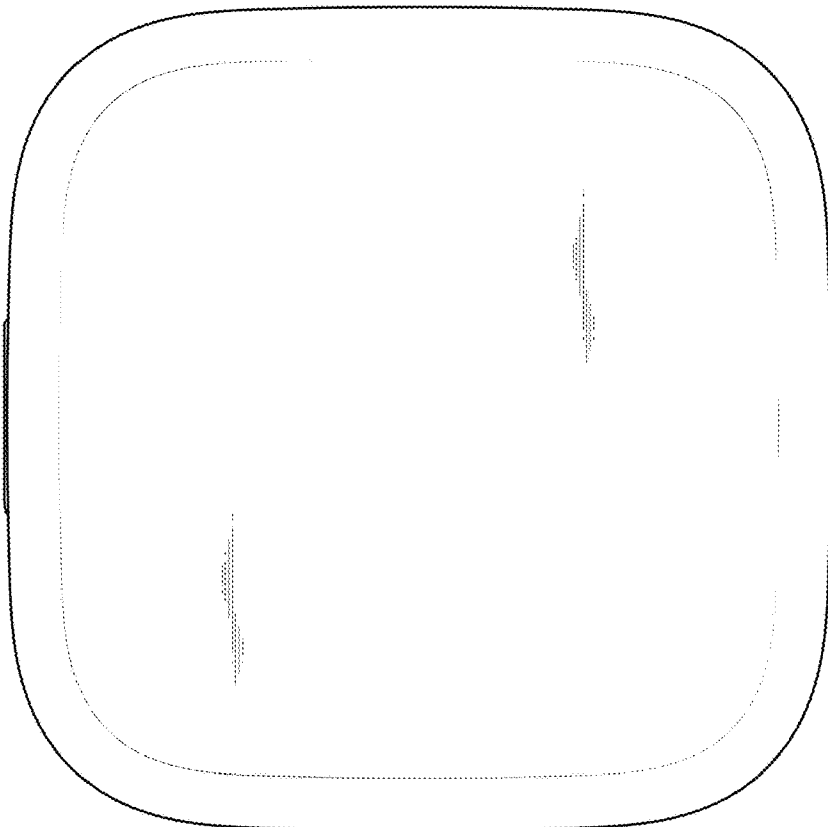


FIG. 3

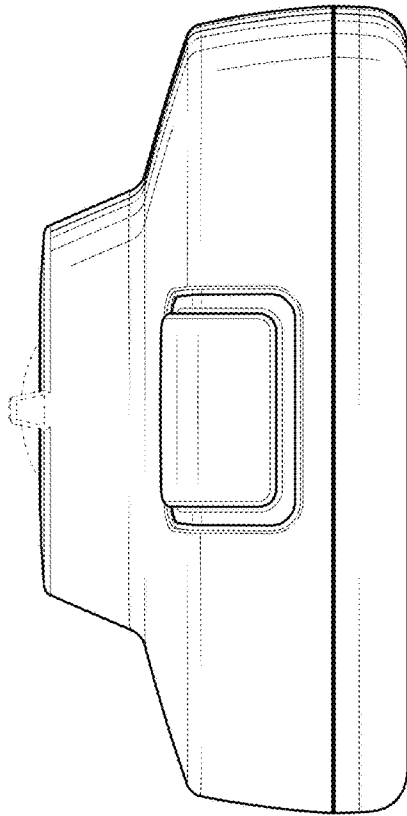


FIG. 4

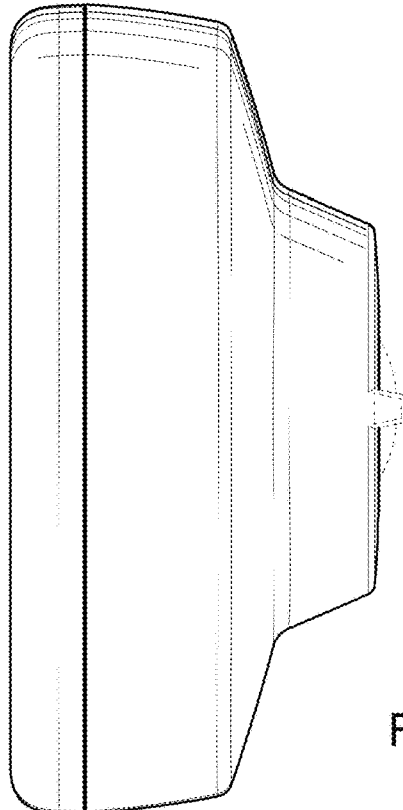


FIG. 5

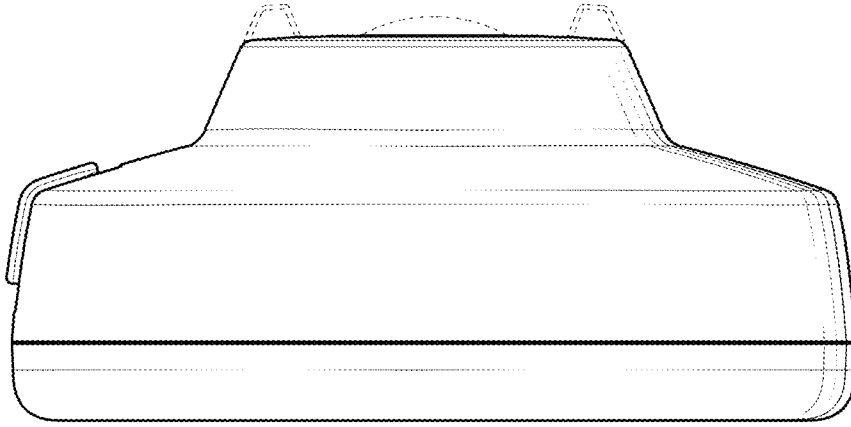


FIG. 6

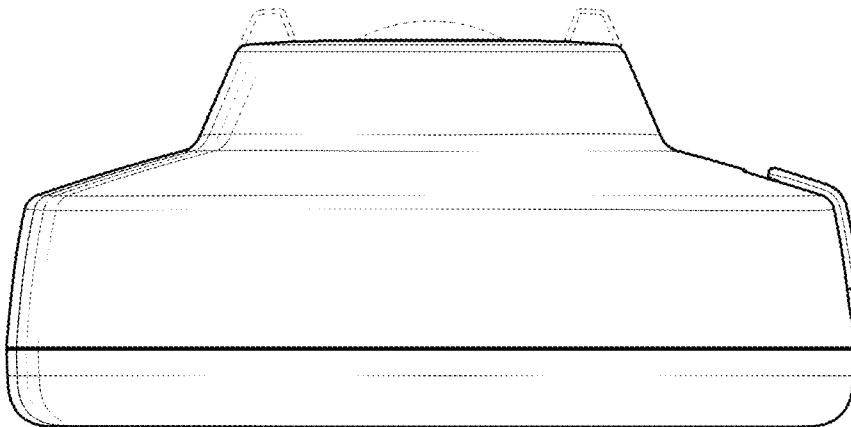


FIG. 7