



US00D461945S

(12) **United States Design Patent**
Byrd

(10) **Patent No.:** **US D461,945 S**

(45) **Date of Patent:** **** Aug. 27, 2002**

(54) **SERVER'S APRON WITH CONCEALED POCKET**

(76) Inventor: **Billie D. Byrd**, 4015 Billingsgate Rd., Orlando, FL (US) 32839-7514

(**) Term: **14 Years**

(21) Appl. No.: **29/127,480**

(22) Filed: **Aug. 7, 2000**

(51) **LOC (7) Cl.** **02-02**

(52) **U.S. Cl.** **D2/864; D2/860; D2/861**

(58) **Field of Search** **D2/860-864; 2/48, 2/49.1, 49.2, 49.3**

(56) **References Cited**

U.S. PATENT DOCUMENTS

1,706,024	A	*	3/1929	Davis	2/248
D133,954	S	*	9/1942	Siegle		
2,697,465	A	*	12/1954	Johnson		
D174,495	S	*	4/1955	Fraser et al.		
2,846,685	A	*	8/1958	Ehrich		
3,004,315	A	*	10/1961	Masure		
3,231,898	A	*	2/1966	Yablon		
D214,983	S	*	8/1969	Knigge		
D257,596	S	*	12/1980	Rosenbloom, III	D2/864
D258,020	S	*	1/1981	Bryce	D2/864

D305,827	S	*	2/1990	Flowers	D2/864
D323,238	S	*	1/1992	Lee	D2/864
D350,849	S	*	9/1994	Dancyger	D3/228
D358,473	S	*	5/1995	Taylor	D2/864
D362,332	S	*	9/1995	Short	D2/864
D381,190	S	*	7/1997	Deon	D2/863
D436,243	S	*	1/2001	Hoy	D2/864

* cited by examiner

Primary Examiner—Celia Murphy

(74) *Attorney, Agent, or Firm*—Elsie C. Turner

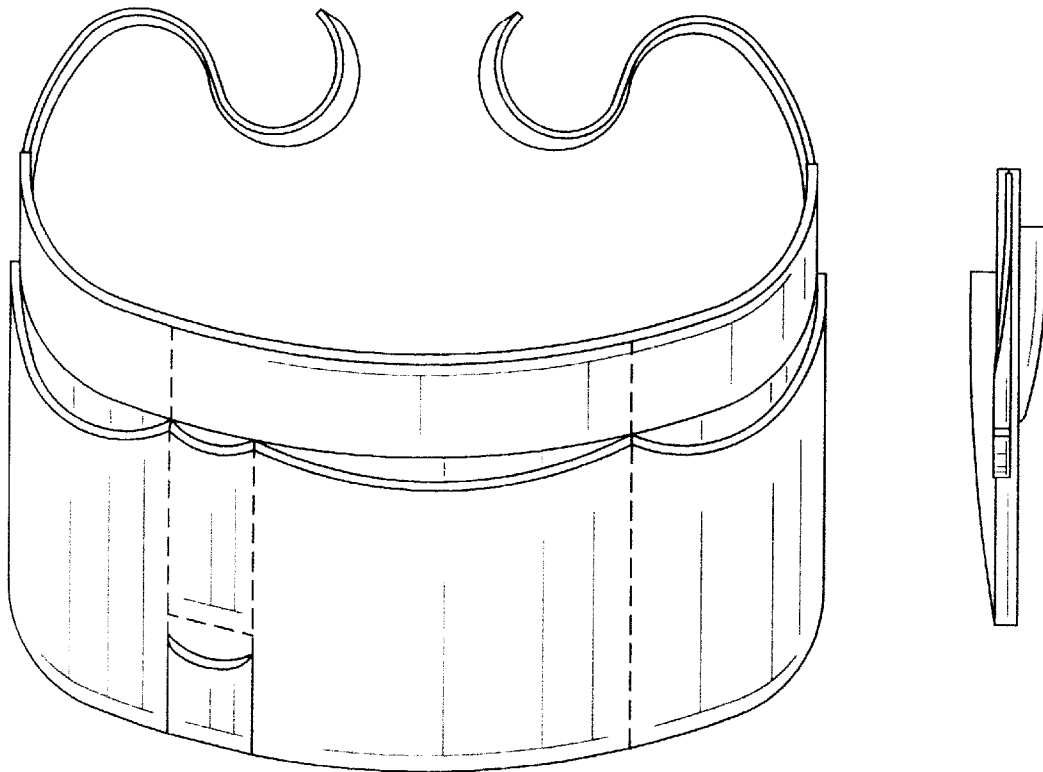
(57) **CLAIM**

The ornamental design for a server's apron with concealed pocket, as shown and described.

DESCRIPTION

FIG. 1 is a perspective view of a server's apron with concealed pocket showing my new design, the broken lines in FIGS. 1, 6, and 7 being understood to represent stitching; FIG. 2 is a right side elevational view thereof; FIG. 3 is a left side elevational view thereof; FIG. 4 is a top plan view thereof; FIG. 5 is a bottom plan view thereof; FIG. 6 is a front elevation view thereof; and, FIG. 7 is a back elevational view thereof.

1 Claim, 2 Drawing Sheets



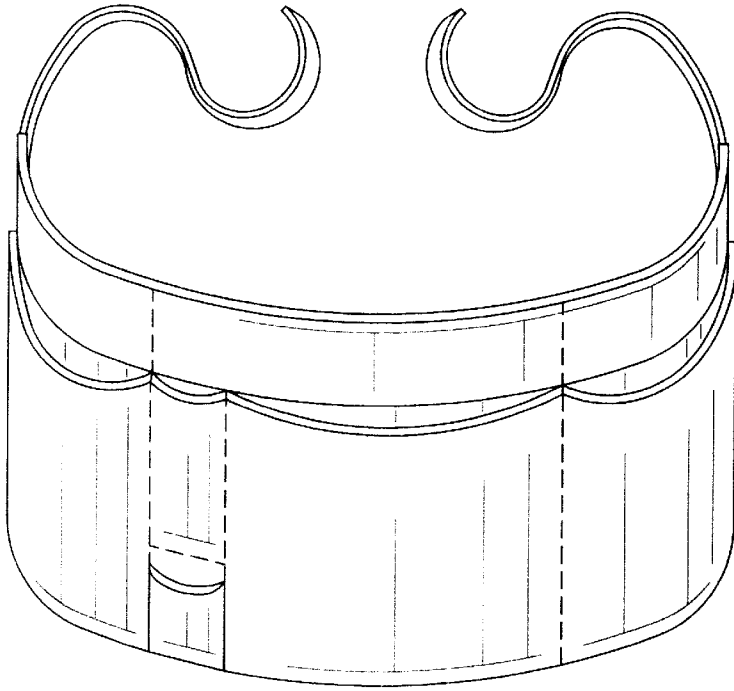


FIG. 1

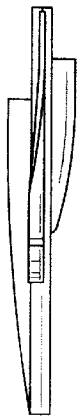


FIG. 2



FIG. 3

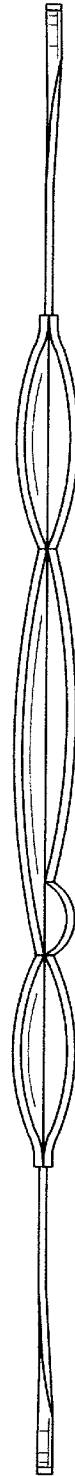


FIG. 4

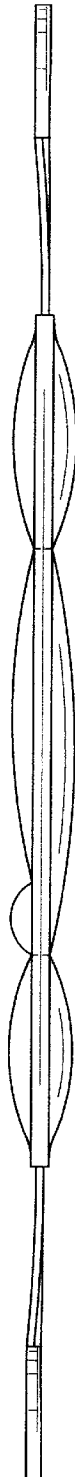


FIG. 5

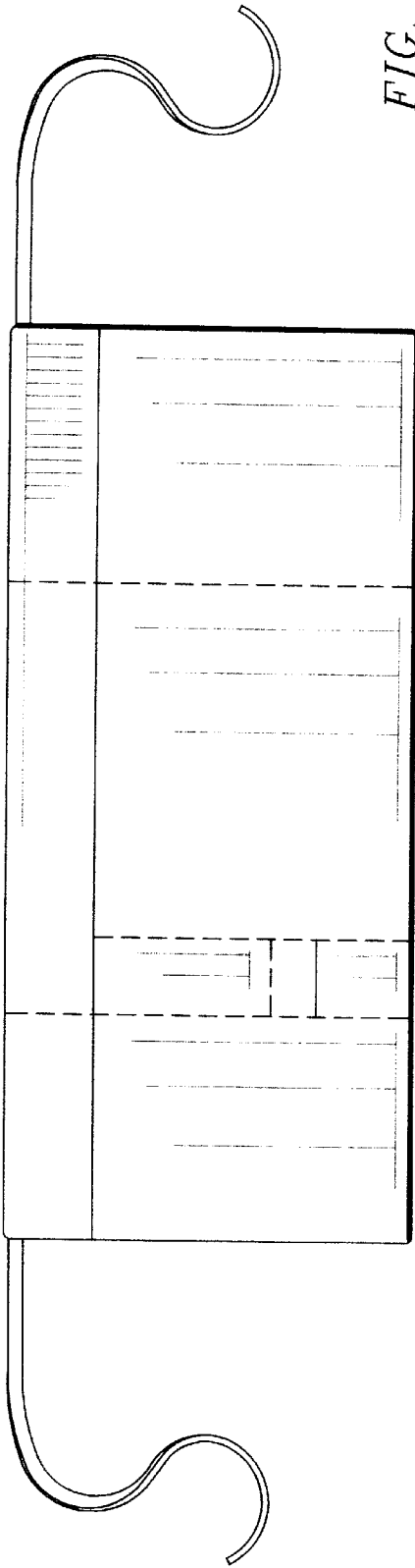


FIG. 6

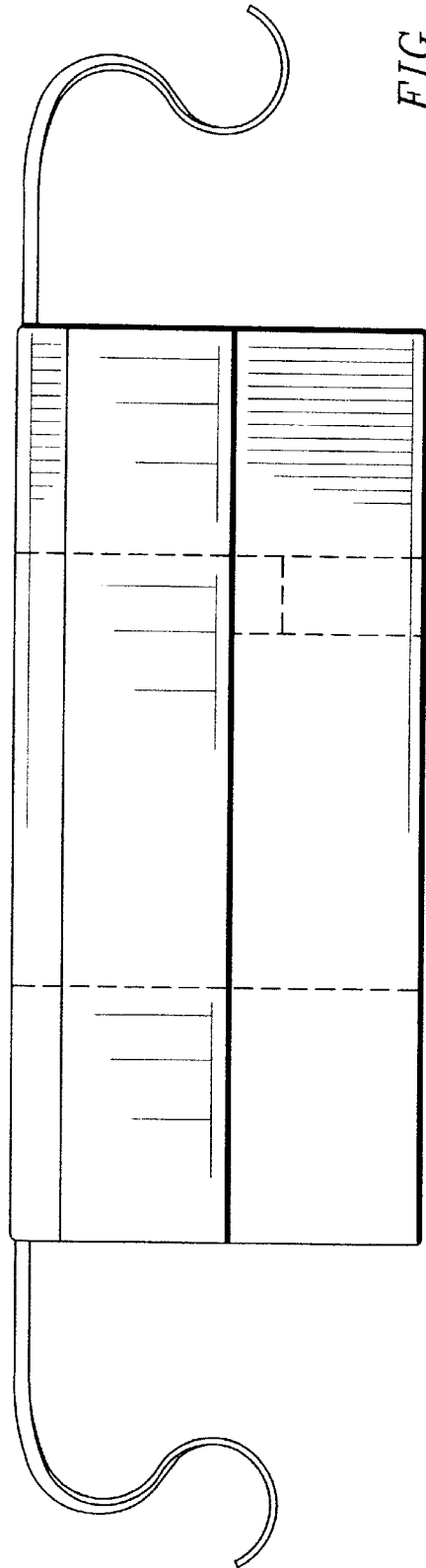


FIG. 7