

(19) World Intellectual Property Organization
International Bureau



(43) International Publication Date
16 November 2006 (16.11.2006)

(10) International Publication Number
WO 2006/121909 A3

(51) International Patent Classification:

B63B 1/38 (2006.01) *F15D 1/06* (2006.01)
C09K 3/18 (2006.01) *F15D 1/12* (2006.01)

(21) International Application Number:

PCT/US2006/017502

(22) International Filing Date:

5 May 2006 (05.05.2006)

(25) Filing Language:

English

(26) Publication Language:

English

(30) Priority Data:

11/122,582 5 May 2005 (05.05.2005) US

(71) Applicant (for all designated States except US): **UT-BATTELLE, LLC** [US/US]; P.O. BOX 2008, 1 Bethel Valley Road, Oak Ridge, Tennessee 37831 (US).

(72) Inventor; and

(75) Inventor/Applicant (for US only): **D'URSO, Brian** [US/US]; 728 Skyline Drive, Clinton, Tennessee 37716 (US).

(74) Agent: **JETTER, Neil, R.**; AKERMAN SENTERFITT, CUSTOMER NO. 30448, P.o. Box 3188, West Palm Beach, Florida 33402-3188 (US).

(81) Designated States (unless otherwise indicated, for every kind of national protection available): AE, AG, AL, AM,

AT, AU, AZ, BA, BB, BG, BR, BW, BY, BZ, CA, CH, CN, CO, CR, CU, CZ, DE, DK, DM, DZ, EC, EE, EG, ES, FI, GB, GD, GE, GH, GM, HR, HU, ID, IL, IN, IS, JP, KE, KG, KM, KN, KP, KR, KZ, LC, LK, LR, LS, LT, LU, LV, LY, MA, MD, MG, MK, MN, MW, MX, MZ, NA, NG, NI, NO, NZ, OM, PG, PH, PL, PT, RO, RU, SC, SD, SE, SG, SK, SL, SM, SY, TJ, TM, TN, TR, TT, TZ, UA, UG, US, UZ, VC, VN, YU, ZA, ZM, ZW.

(84) Designated States (unless otherwise indicated, for every kind of regional protection available): ARIPO (BW, GH, GM, KE, LS, MW, MZ, NA, SD, SL, SZ, TZ, UG, ZM, ZW), Eurasian (AM, AZ, BY, KG, KZ, MD, RU, TJ, TM), European (AT, BE, BG, CH, CY, CZ, DE, DK, EE, ES, FI, FR, GB, GR, HU, IE, IS, IT, LT, LU, LV, MC, NL, PL, PT, RO, SE, SI, SK, TR), OAPI (BF, BJ, CF, CG, CI, CM, GA, GN, GQ, GW, ML, MR, NE, SN, TD, TG).

Published:

- with international search report (Art. 21(3))
- before the expiration of the time limit for amending the claims and to be republished in the event of receipt of amendments (Rule 48.2(h))

(88) Date of publication of the international search report:
10 September 2010

(54) Title: FRICTION DRAG-REDUCING SURFACE

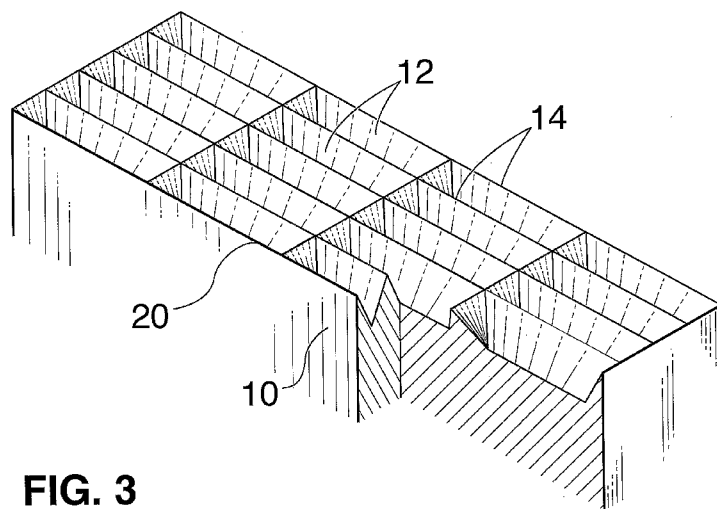


FIG. 3

(57) Abstract: An article includes a body (10) having at least one viscous drag-reducing surface. The surface includes at least one of a hydrophobic feature topography including a plurality of spaced apart microscale features and a hydrophobic coating to render the surface at least hydrophobic. A multiplicity of indentations are in the surface, the indentations being macro-scale depressions (12) separated and enframed by a plurality of ridges (14). The macro-scale depressions (12) trap gas bubbles therein, wherein viscous drag between the article and water is reduced by the surface.



WO 2006/121909 A3

INTERNATIONAL SEARCH REPORT

International application No
PCT/US2006/017502

A. CLASSIFICATION OF SUBJECT MATTER

INV. B63B1/38 C09K3/18 F15D1/06 F15D1/12
ADD.

According to International Patent Classification (IPC) or to both national classification and IPC

B. FIELDS SEARCHED

Minimum documentation searched (classification system followed by classification symbols)
B63B C09K F15D

Documentation searched other than minimum documentation to the extent that such documents are included in the fields searched

Electronic data base consulted during the international search (name of data base and, where practical, search terms used)

EPO-Internal, PAJ

C. DOCUMENTS CONSIDERED TO BE RELEVANT

Category*	Citation of document, with indication, where appropriate, of the relevant passages	Relevant to claim No.
Y	EP 0 616 940 A (MITSUI ENGINEERING & SHIPBUILDING CO., LTD; MITSUI SHIPBUILDING ENG) 28 September 1994 (1994-09-28) page 5, line 5 - page 7, line 22 page 8, line 30 - page 9, line 17 page 9, lines 46-53 page 11, line 3 - page 12, line 2; figures 1-3,7,8	1-12
Y	JP 2005 048904 A (NAT INST OF ADV IND & TECHNOL) 24 February 2005 (2005-02-24) * abstract paragraphs [0036] - [0039], [0042] - [0044], [0053] - [0054]; figures 1,2,4a,5a	1-12
	----- -/--	

Further documents are listed in the continuation of Box C.

See patent family annex.

* Special categories of cited documents :

- | | |
|--|--|
| <p>*A* document defining the general state of the art which is not considered to be of particular relevance</p> <p>*E* earlier document but published on or after the international filing date</p> <p>*L* document which may throw doubts on priority claim(s) or which is cited to establish the publication date of another citation or other special reason (as specified)</p> <p>*O* document referring to an oral disclosure, use, exhibition or other means</p> <p>*P* document published prior to the international filing date but later than the priority date claimed</p> | <p>*T* later document published after the international filing date or priority date and not in conflict with the application but cited to understand the principle or theory underlying the invention</p> <p>*X* document of particular relevance; the claimed invention cannot be considered novel or cannot be considered to involve an inventive step when the document is taken alone</p> <p>*Y* document of particular relevance; the claimed invention cannot be considered to involve an inventive step when the document is combined with one or more other such documents, such combination being obvious to a person skilled in the art.</p> <p>*&* document member of the same patent family</p> |
|--|--|

Date of the actual completion of the international search

13 July 2010

Date of mailing of the international search report

21/07/2010

Name and mailing address of the ISA/

European Patent Office, P.B. 5818 Patentlaan 2
NL - 2280 HV Rijswijk
Tel. (+31-70) 340-2040,
Fax: (+31-70) 340-3016

Authorized officer

Rechenmacher, M

INTERNATIONAL SEARCH REPORT

International application No
PCT/US2006/017502

C(Continuation). DOCUMENTS CONSIDERED TO BE RELEVANT

Category*	Citation of document, with indication, where appropriate, of the relevant passages	Relevant to claim No.
A	US 2005/061221 A1 (PASZKOWSKI MARIUSZ) 24 March 2005 (2005-03-24) paragraphs [0071] - [0073], [0082] - [0084]; figures 1,8,16,17	1,2,4-6, 8,11,12
A;P	US 2006/024508 A1 (D'URSO BRIAN R ET AL) 2 February 2006 (2006-02-02) cited in the application paragraphs [0019], [0020], [0025], [0030] - [0032], [0042], [0054], [0061]; figures 3-5	1,4-6,8, 12
A,P	US 2006/024478 A1 (D'URSO BRIAN R ET AL) 2 February 2006 (2006-02-02) cited in the application paragraphs [0036], [0037], [0045], [0051], [0054] - [0056], [0063] - [0067], [0085], [0093]; figures 1-5,21	1,2,4,5, 8,12
A	JP 9 262563 A (MITSUI SHIPBUILDING ENG) 7 October 1997 (1997-10-07) * abstract	1
A	WATANABE K. ET AL: "Drag reduction of Newtonian fluid in a circular pipe with a highly water-repellent wall" JOURNAL OF FLUID MECHANICS, vol. 381, 1999, pages 225-238; XP008068985 cited in the application the whole document	1
A	MIN T., KIM J.: "Effects of hydrophobic surface on skin-friction drag" PHYSICS OF FLUID, vol. 16, no. 7, July 2004 (2004-07), pages 55-58, XP008068986 cited in the application the whole document	1

INTERNATIONAL SEARCH REPORT

Information on patent family members

International application No

PCT/US2006/017502

Patent document cited in search report		Publication date	Patent family member(s)	Publication date
EP 0616940	A	28-09-1994	AU 4834393 A BR 9305682 A DE 69309655 D1 DE 69309655 T2 DK 616940 T3 GR 3023606 T3 HK 1000349 A1 WO 9407740 A1 NO 941964 A SG 78259 A1 US 5476056 A	26-04-1994 03-12-1996 15-05-1997 24-07-1997 16-06-1997 29-08-1997 06-03-1998 14-04-1994 26-05-1994 20-02-2001 19-12-1995
JP 2005048904	A	24-02-2005	JP 4257973 B2	30-04-2009
US 2005061221	A1	24-03-2005	EP 1441942 A1 JP 2005507313 T KR 20050042056 A WO 03037702 A1 PL 350498 A1	04-08-2004 17-03-2005 04-05-2005 08-05-2003 05-05-2003
US 2006024508	A1	02-02-2006	AU 2005327910 A1 CA 2575197 A1 EP 1778412 A1 JP 2008508181 T KR 20070044437 A US 2008296252 A1 WO 2006091235 A1	31-08-2006 31-08-2006 02-05-2007 21-03-2008 27-04-2007 04-12-2008 31-08-2006
US 2006024478	A1	02-02-2006	AU 2005283033 A1 CA 2575145 A1 EP 1791794 A2 JP 2008508182 T KR 20070044436 A US 2006289380 A1 WO 2006028603 A2	16-03-2006 16-03-2006 06-06-2007 21-03-2008 27-04-2007 28-12-2006 16-03-2006
JP 9262563	A	07-10-1997	NONE	