



US0D1047681S

(12) **United States Design Patent**
Taylor

(10) **Patent No.:** **US D1,047,681 S**

(45) **Date of Patent:** **** Oct. 22, 2024**

(54) **BENCH CLAMP BASE**
(71) Applicant: **Taylor Toolworks, LLC**, Columbia, MO (US)

D816,469 S * 5/2018 Toomey D8/387
D946,991 S * 3/2022 Damron D7/412
D951,450 S * 5/2022 Hyeon D24/155
D990,052 S * 6/2023 Dalton D28/60

(72) Inventor: **Michael K. Taylor**, Columbia, MO (US)

OTHER PUBLICATIONS

Inserta Clamp, posted Sep. 18, 2016 [online]. [retrieved Dec. 11, 2023]. Retrieved from internet, <https://www.amazon.com/Build-Pro-Inserta-Clamp-Capacity/dp/B07GQ1FND3/> (Year: 2016).*

(73) Assignee: **TAYTOOLS, LLC**

* cited by examiner

(**) Term: **15 Years**

Primary Examiner — Justin M Jonaitis

(21) Appl. No.: **29/837,984**

Assistant Examiner — Benjamin L. Gray

(22) Filed: **May 10, 2022**

(74) *Attorney, Agent, or Firm* — Grace J. Fishel

(51) **LOC (14) Cl.** **08-05**

(52) **U.S. Cl.**
USPC **D8/71**

(57) **CLAIM**

(58) **Field of Classification Search**
USPC D8/71, 387, 14
CPC B25H 1/00; B25H 1/0021; B25H 1/005;
B25H 1/08

The ornamental design for a bench clamp base as shown and described.

See application file for complete search history.

DESCRIPTION

(56) **References Cited**

FIG. 1 is a front perspective view of a bench clamp base showing my new design;

U.S. PATENT DOCUMENTS

FIG. 2 is a front perspective view thereof in use;

D27,172 S * 6/1897 Holderer D8/78
3,016,077 A * 1/1962 Yocum F16B 39/24
D8/387

FIG. 3 is a rear perspective view thereof;

D260,157 S * 8/1981 Appel D8/387
D263,199 S * 3/1982 Lockie D8/71
D352,800 S * 11/1994 Leung D28/35
D407,302 S * 3/1999 Lawson D8/387
D437,209 S * 2/2001 McDonough D8/387
D590,703 S * 4/2009 Suehiro D8/387
D643,864 S * 8/2011 Jackson D15/140

FIG. 4 is a rear perspective view thereof in use;

FIG. 5 is a top view thereof;

FIG. 6 is a front elevation thereof;

FIG. 7 is a bottom view thereof; and,

FIG. 8 is a rear elevation thereof.

The broken lines depict environmental structure and form no part to the claimed design.

1 Claim, 3 Drawing Sheets

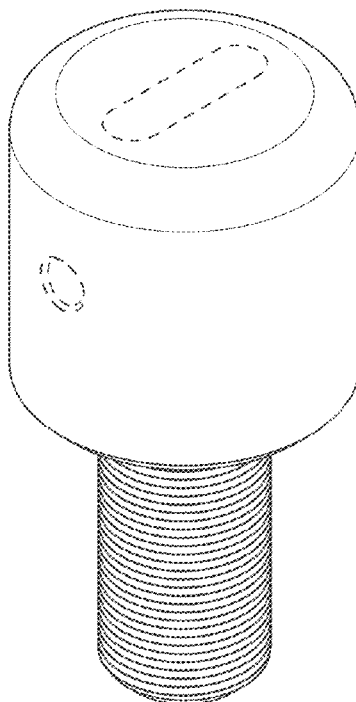


Fig. 1

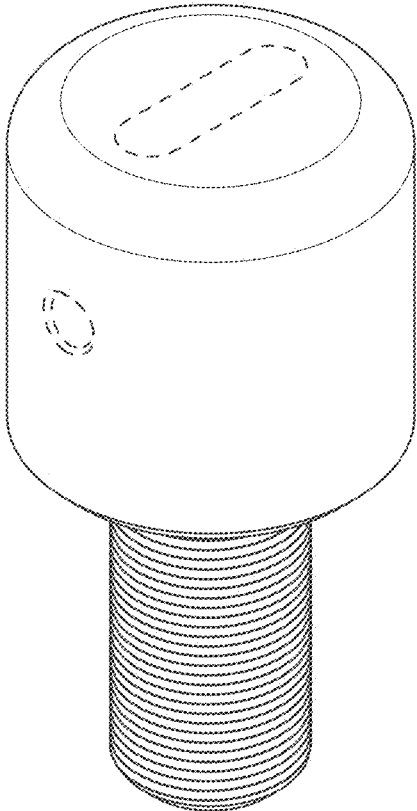


Fig. 2

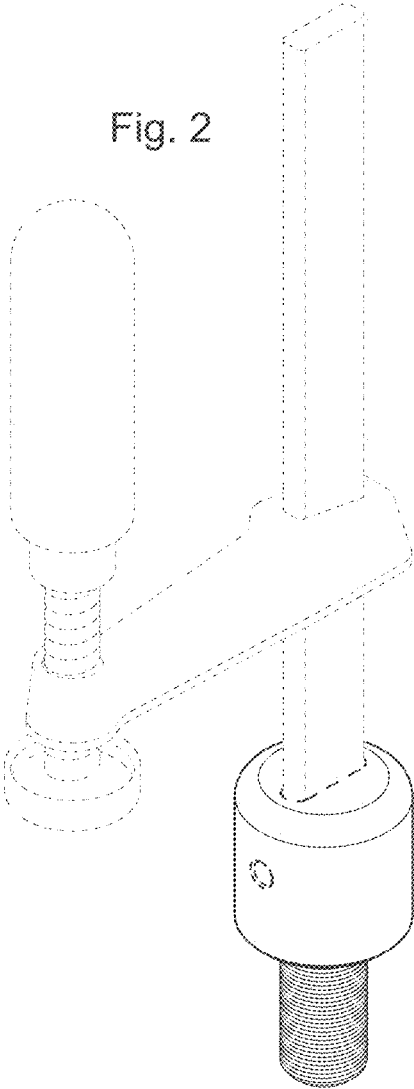


Fig. 3

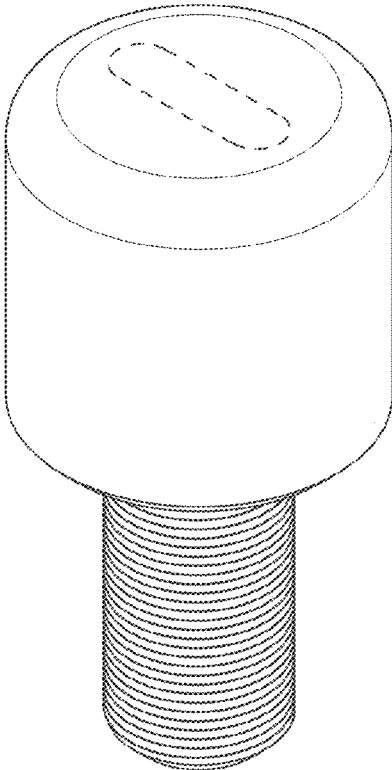


Fig. 4

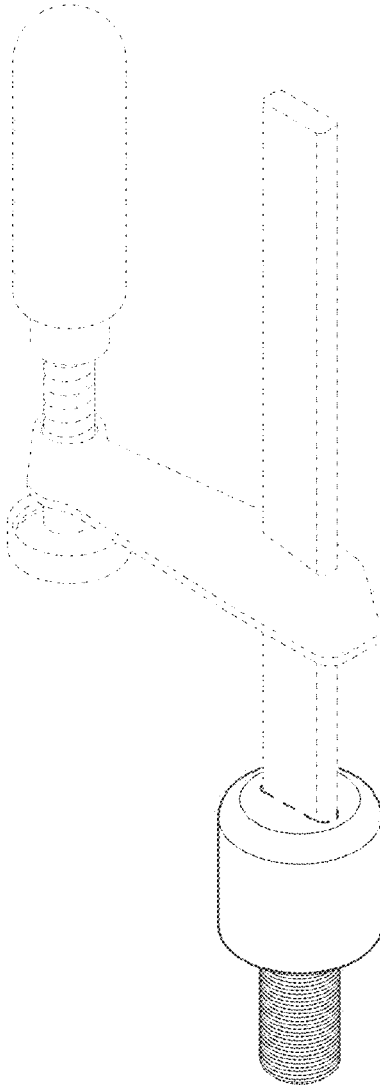


Fig. 5

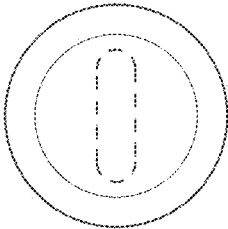


Fig. 6

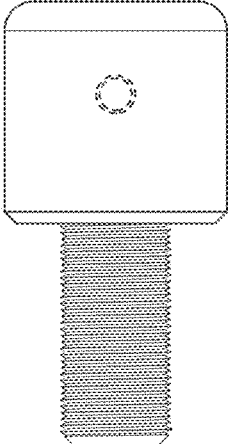


Fig. 8

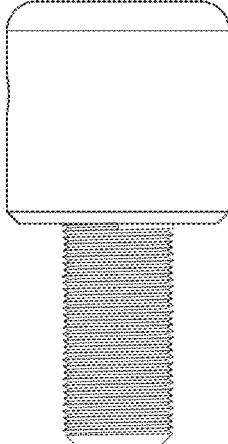


Fig. 7

