



US00D795816S

(12) **United States Design Patent**
He et al.

(10) **Patent No.:** **US D795,816 S**

(45) **Date of Patent:** **** Aug. 29, 2017**

(54) **USB CONNECTION CABLE**

DESCRIPTION

(71) Applicant: **DONGGUAN CITY JIANGHAN CO., LTD**, Guangdong Province (CN)
(72) Inventors: **Tiejun He**, Guangdong Province (CN); **Depin Zheng**, Guangdong Province (CN)
(**) Term: **15 Years**
(21) Appl. No.: **29/562,249**
(22) Filed: **Apr. 25, 2016**

Foreign Application Priority Data

Oct. 28, 2015 (CN) 2015 3 0420662

(51) **LOC (10) Cl.** **13-03**

(52) **U.S. Cl.**
USPC **D13/153**

(58) **Field of Classification Search**
USPC D13/153, 152, 154, 147, 133, 110, 151;
D14/433

(Continued)

(56) **References Cited**

U.S. PATENT DOCUMENTS

D416,869 S * 11/1999 Tsai D13/153
D450,041 S * 11/2001 Nakashima D13/153

(Continued)

Primary Examiner — Rhea Shields

(74) *Attorney, Agent, or Firm* — Prakash Nama; Global IP Services, PLLC

(57) **CLAIM**

The ornamental design for a USB connection cable, as shown and described.

FIG. 1 is a front elevational view of a USB connection cable showing the first embodiment of my new design; FIG. 2 is a rear elevational view thereof; FIG. 3 is a left side view thereof; FIG. 4 is a right side view thereof; FIG. 5 is a top plan view thereof; FIG. 6 is a bottom plan view thereof; FIG. 7 is a perspective view thereof; FIG. 8 is a second perspective view thereof; FIG. 9 is a third perspective view thereof; FIG. 10 is a front elevational view of a USB connection cable showing the second embodiment of my new design; FIG. 11 is a rear elevational view of the second embodiment; FIG. 12 is a left side view of the second embodiment; FIG. 13 is a right side view of the second embodiment; FIG. 14 is a top plan view of the second embodiment; FIG. 15 is a bottom plan view of the second embodiment; FIG. 16 is a perspective view of the second embodiment; FIG. 17 is a second perspective view of the second embodiment; FIG. 18 is a third perspective view of the second embodiment; FIG. 19 is a front elevational view of a USB connection cable showing the third embodiment of my new design; FIG. 20 is a rear elevational view of the third embodiment; FIG. 21 is a left side view of the third embodiment; FIG. 22 is a right side view of the third embodiment; FIG. 23 is a top plan view of the third embodiment; FIG. 24 is a bottom plan view of the third embodiment; FIG. 25 is a perspective view of the third embodiment; FIG. 26 is a second perspective view of the third embodiment; and, FIG. 27 is a third perspective view of the third embodiment. The USB connection cable is shown with a symbolic break in its length. The appearance of any portion of the cable between the break lines forms no part of the claimed design.

1 Claim, 18 Drawing Sheets



(58) **Field of Classification Search**

CPC H01R 13/7175

See application file for complete search history.

(56) **References Cited**

U.S. PATENT DOCUMENTS

D600,652	S *	9/2009	Hong	D13/154
D620,448	S *	7/2010	Lee	D13/154
D622,220	S *	8/2010	Huang	D13/147
D628,537	S *	12/2010	Nagata	D13/147
D636,337	S *	4/2011	Smith	D13/147
D644,999	S *	9/2011	Lee	D13/147
D675,993	S *	2/2013	Izen	D13/147
D676,389	S *	2/2013	Worth	D13/147
D679,655	S *	4/2013	Lin	D13/147
D692,390	S *	10/2013	Smith	D13/133
D694,190	S *	11/2013	Wincek	D13/147
D730,903	S *	6/2015	Langhammer	D14/433
D734,272	S *	7/2015	Dang	D13/153
D738,312	S *	9/2015	Bress	D13/147
D743,965	S *	11/2015	Laffon de Mazieres	D13/154
D753,060	S *	4/2016	Miller	D13/110
D779,492	S *	2/2017	Lin	D14/433
D784,931	S *	4/2017	Fries	D13/153
D786,798	S *	5/2017	Yokoyama	D13/147
D787,448	S *	5/2017	Robert	D13/151
9,660,396	B2 *	5/2017	Chen	H01R 13/7175

* cited by examiner



FIG. 1

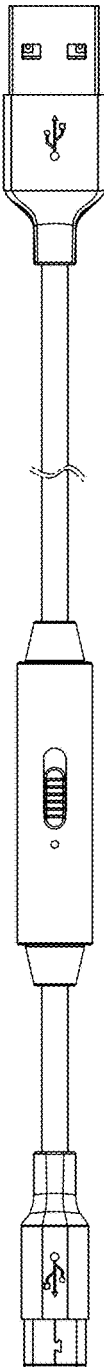


FIG. 2

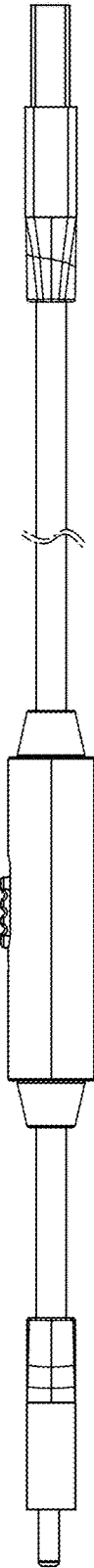


FIG. 3

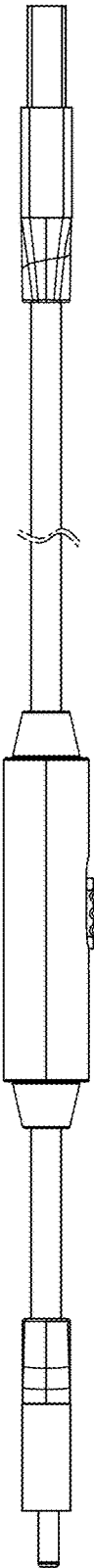


FIG. 4

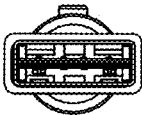


FIG. 5



FIG. 6

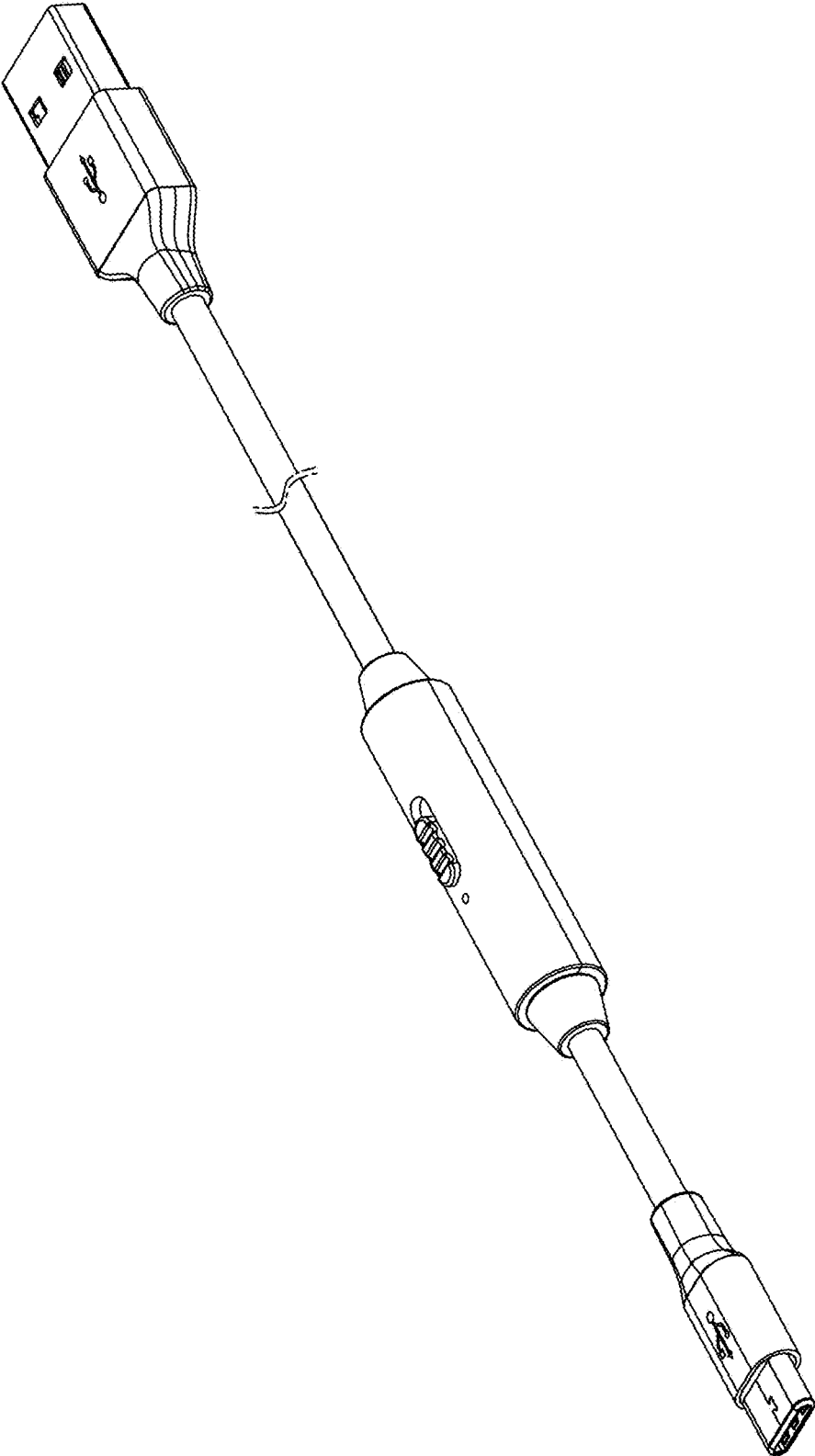


FIG. 7

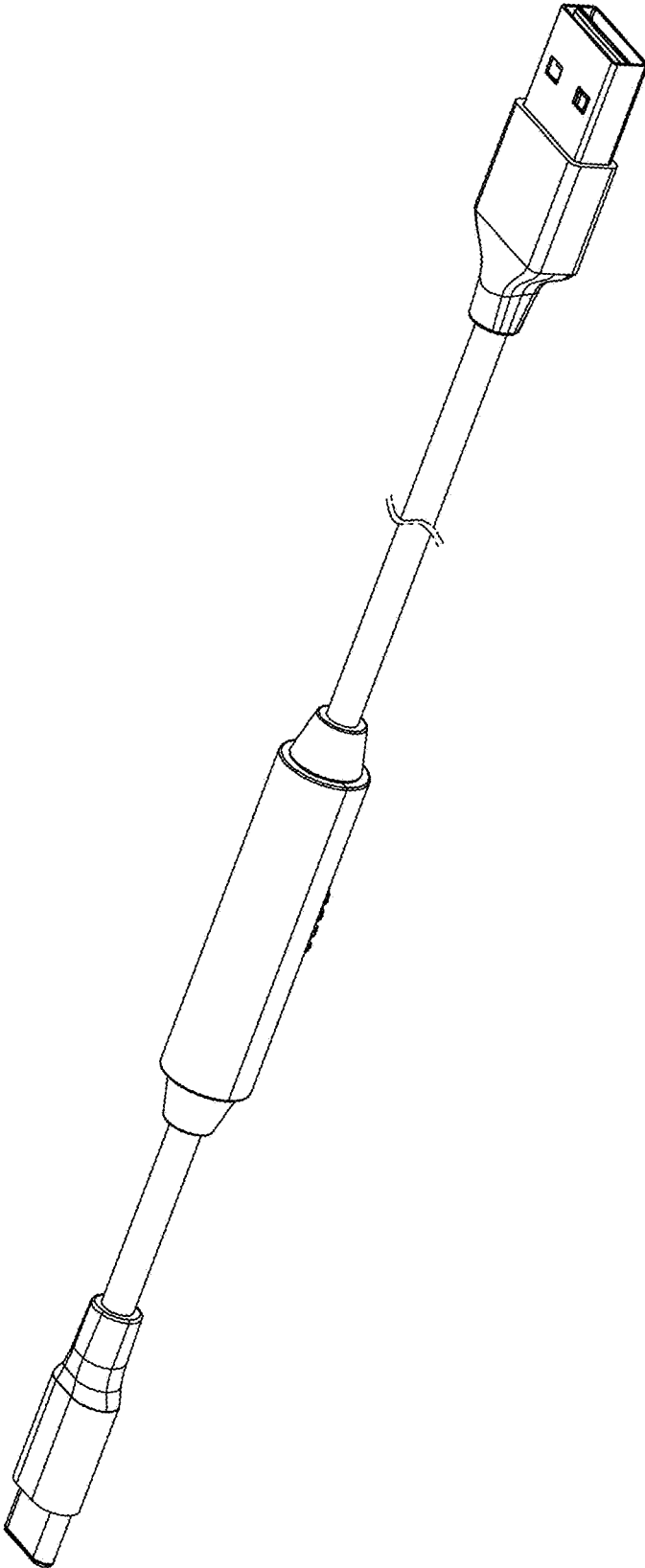


FIG. 8

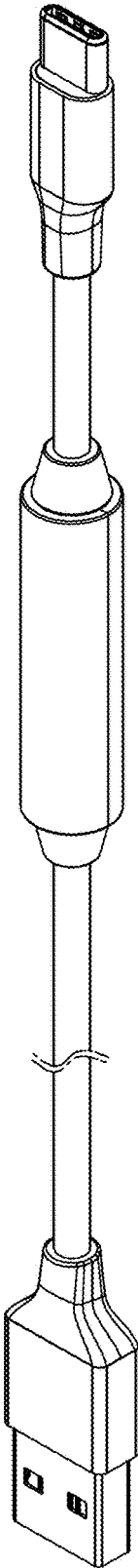


FIG. 9

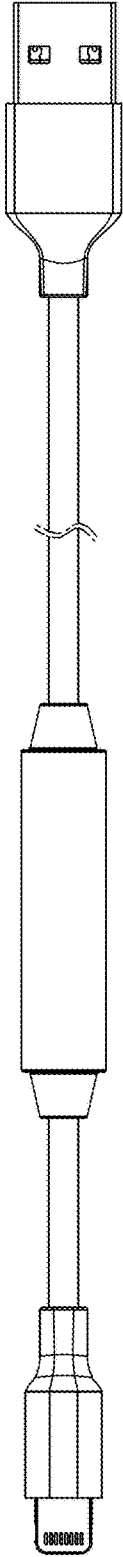


FIG. 10

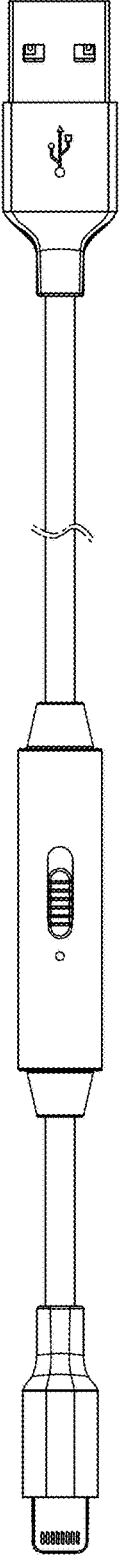


FIG. 11

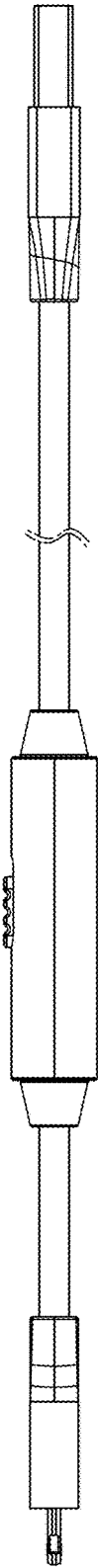


FIG. 12

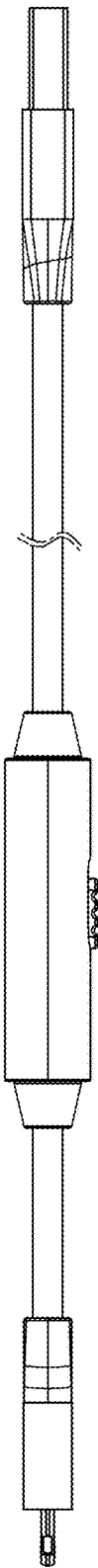


FIG. 13

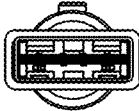


FIG. 14

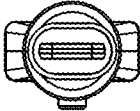


FIG. 15

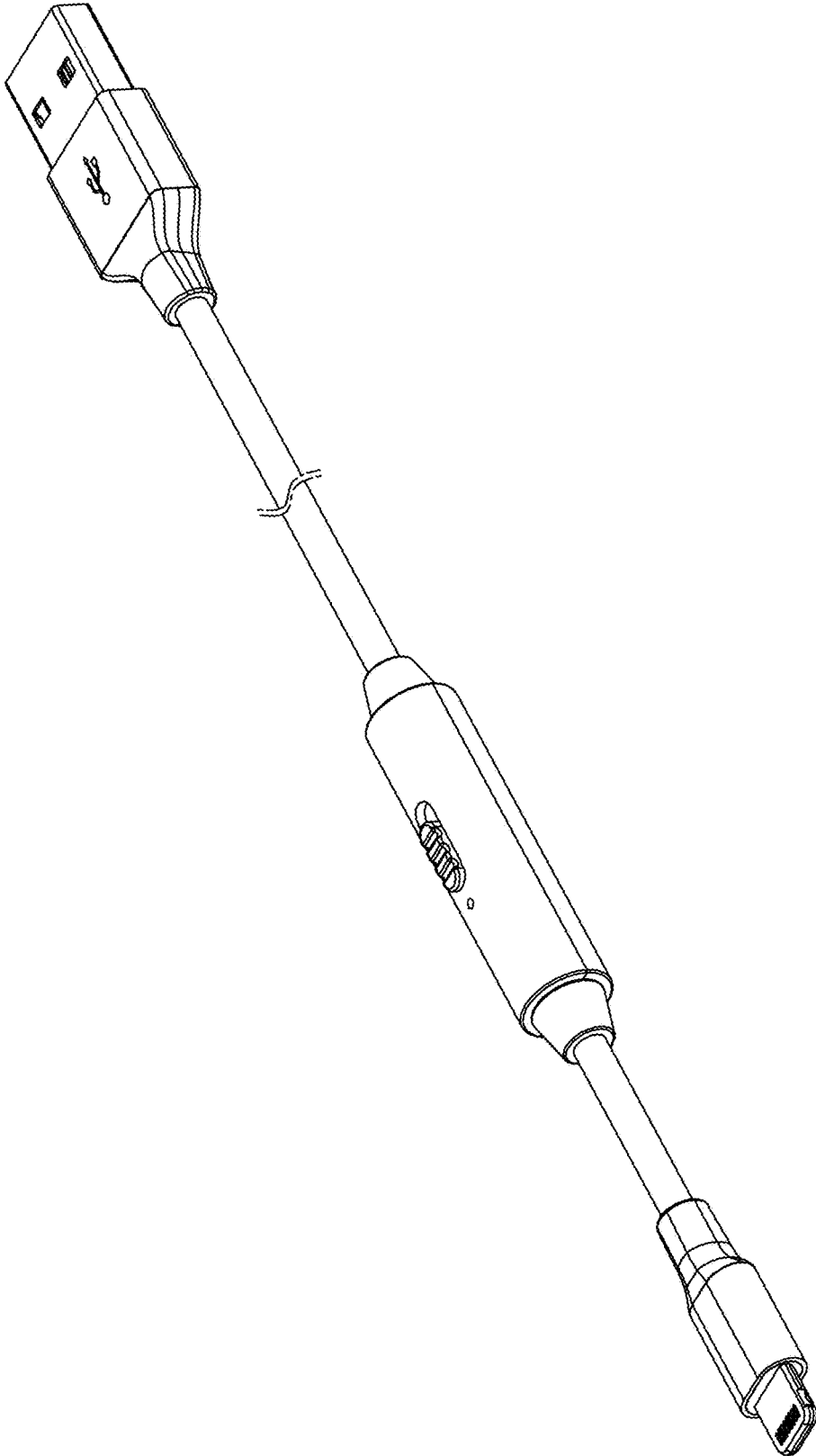


FIG. 16

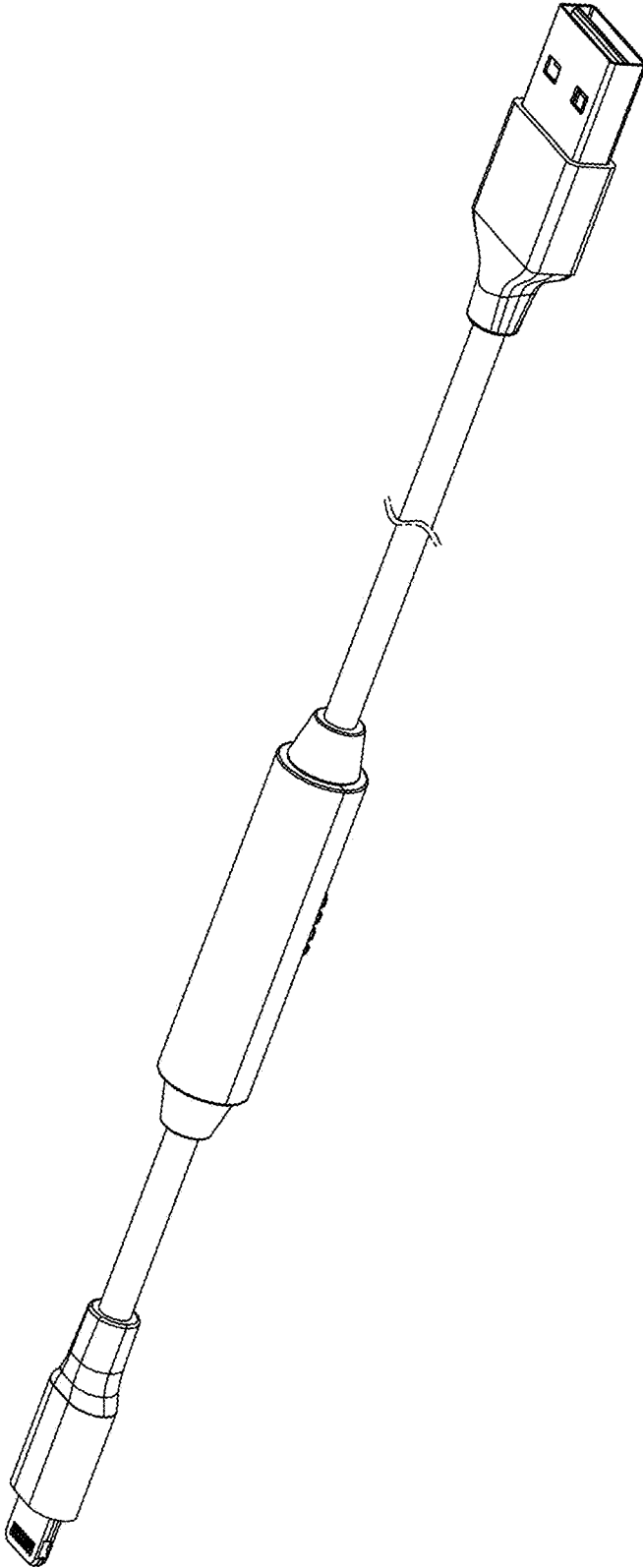


FIG. 17

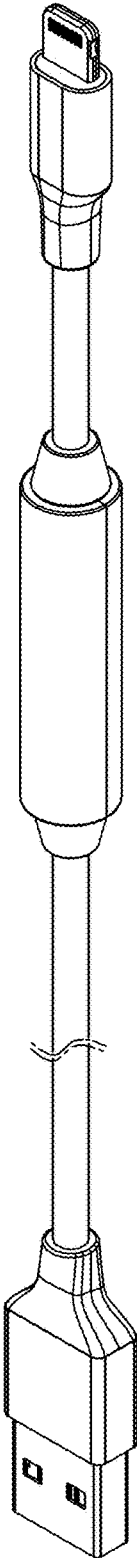


FIG. 18

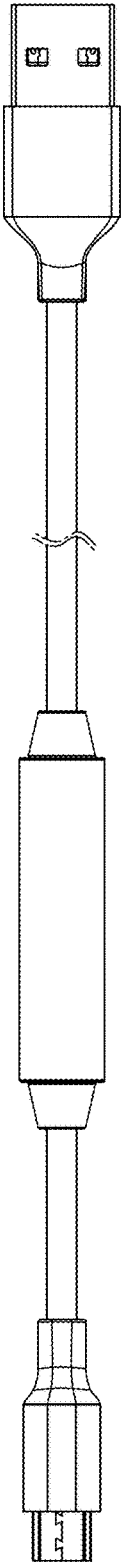


FIG. 19

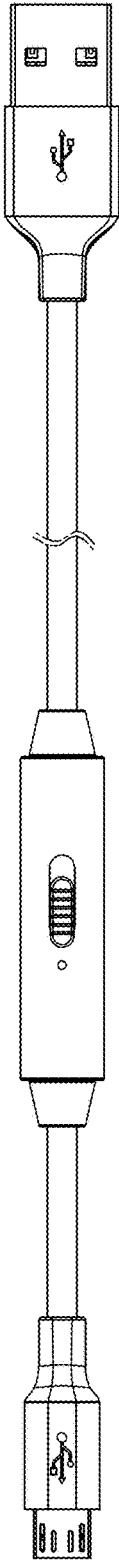


FIG. 20

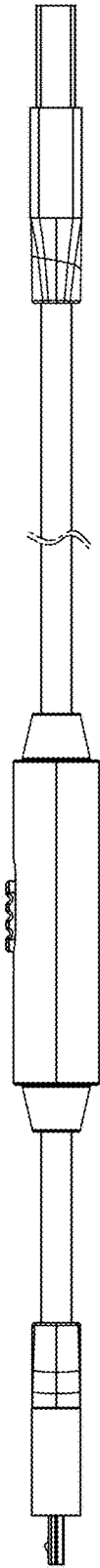


FIG. 21

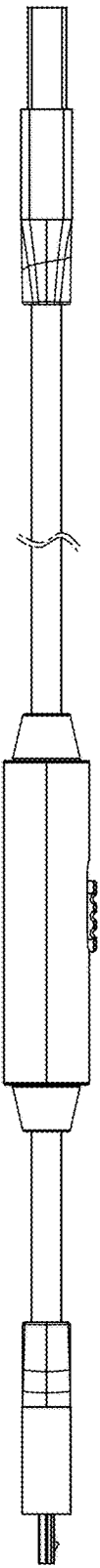


FIG. 22

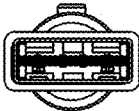


FIG. 23

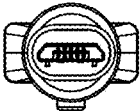


FIG. 24

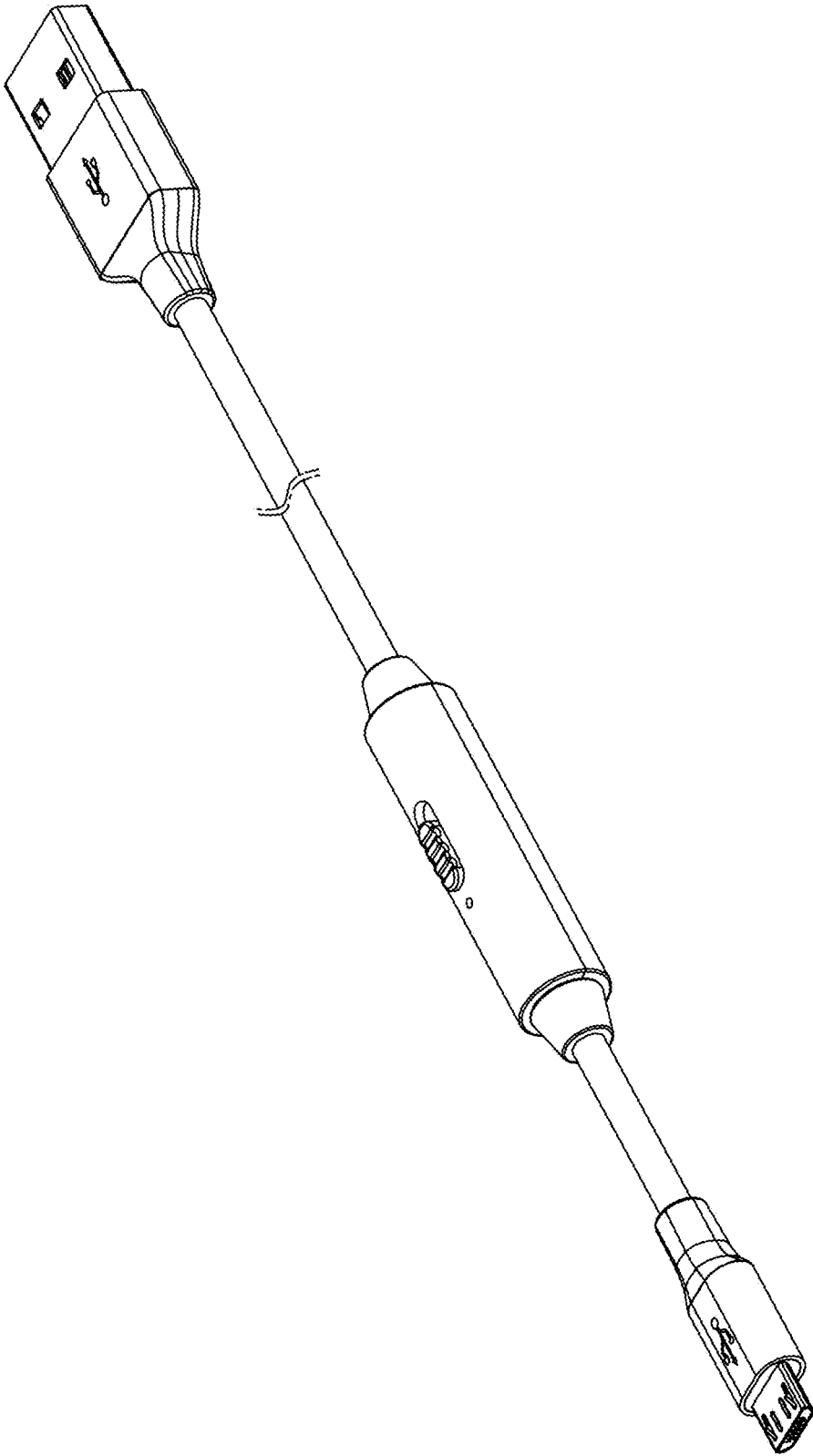


FIG. 25

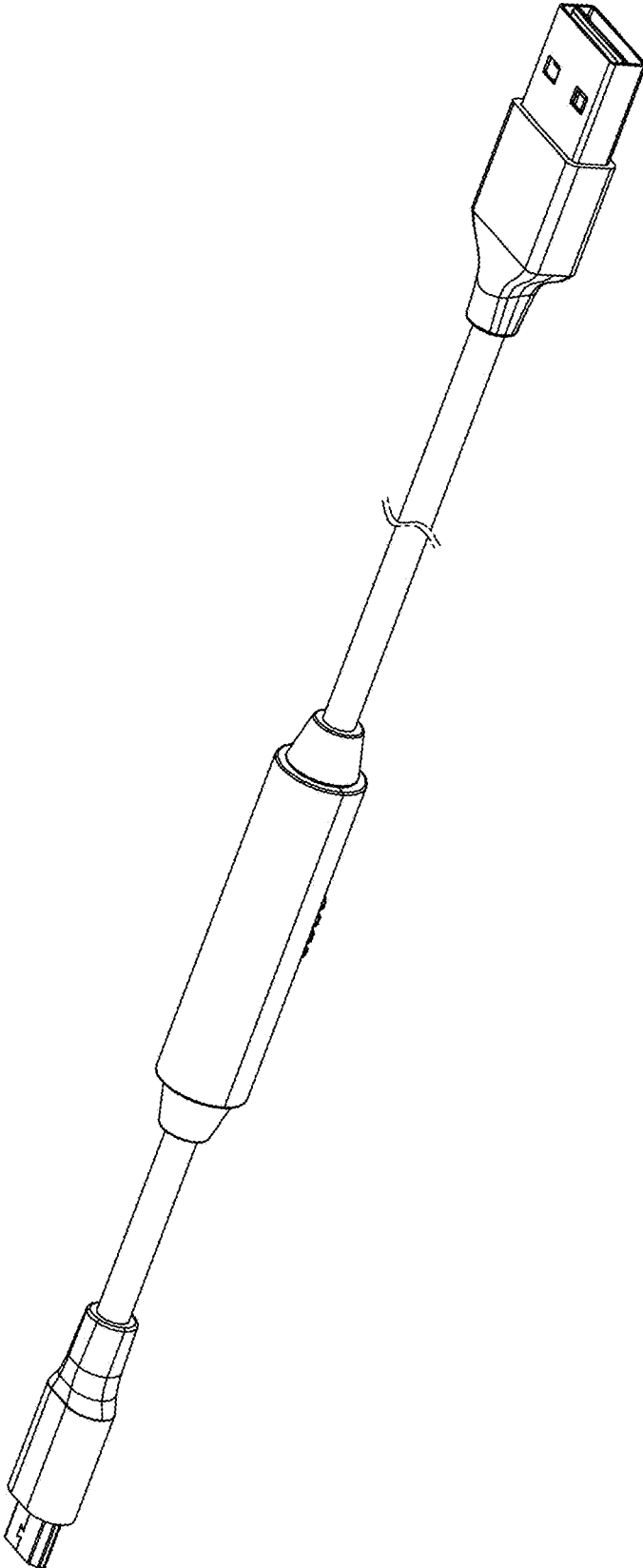


FIG. 26

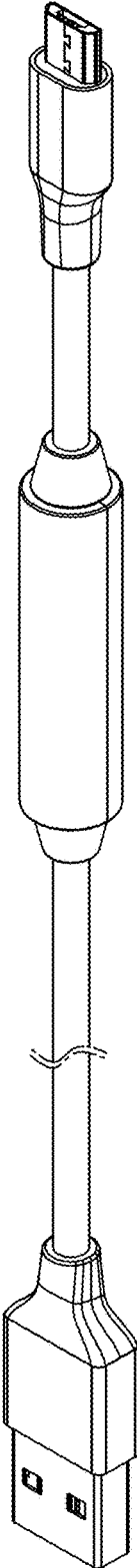


FIG. 27