



US00D832402S

(12) **United States Design Patent**
Lance et al.

(10) **Patent No.:** **US D832,402 S**
(45) **Date of Patent:** **** Oct. 30, 2018**

(54) **SHOWER CONTROLLER**
(71) Applicant: **Moen Incorporated**, North Olmsted, OH (US)

8,416,198 B2 * 4/2013 Rathnam G06F 3/03547 345/156
D717,742 S * 11/2014 Larkin D13/162
2015/0221206 A1 8/2015 Schneider, II et al.

(72) Inventors: **Matthew J. Lance**, North Ridgeville, OH (US); **Sanjeev S. Moghe**, Chagrin Falls, OH (US); **Louise M. Quigley**, Rocky River, OH (US); **Jennifer P. Sedwick**, Lakewood, OH (US); **Steven Wain Ward**, Brecksville, OH (US)

OTHER PUBLICATIONS

Moen, Kohler, Grohe, Tissino, Dornbracht, Hansgrohe, Delta, MrSteam, and Graff products shown in the cited document were publicly available prior to Sep. 9, 2015, 12 pages.

* cited by examiner

(73) Assignee: **Moen Incorporated**, North Olmsted, OH (US)

Primary Examiner — Robert A Delehanty
(74) *Attorney, Agent, or Firm* — Calfee, Halter & Griswold LLP

(**) Term: **15 Years**

(57) **CLAIM**

(21) Appl. No.: **29/577,171**

The ornamental design for a shower controller, as shown and described.

(22) Filed: **Sep. 9, 2016**

DESCRIPTION

(51) **LOC (11) Cl.** **23-01**

(52) **U.S. Cl.**
USPC **D23/250**

(58) **Field of Classification Search**
USPC D23/249–254, 238–242, 228, 303–305, D23/283, 275; D13/162–164; D10/49–50
CPC G06F 3/03547
See application file for complete search history.

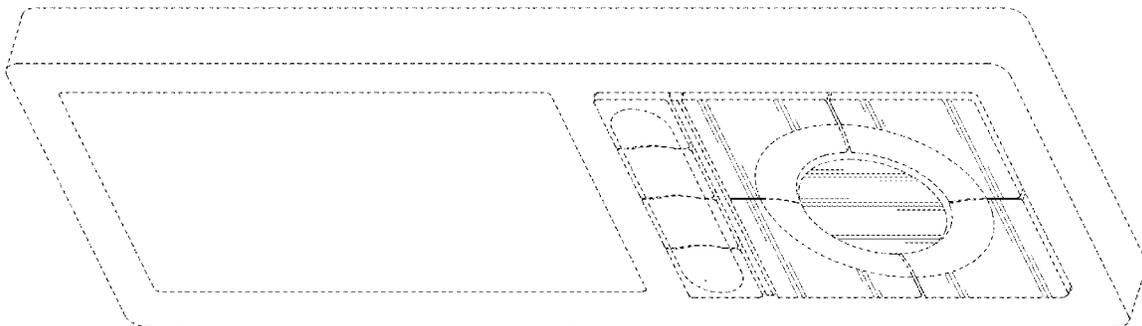
FIG. 1 is a perspective view of a shower controller of the new design;
FIG. 2 is a front elevational view of the shower controller of FIG. 1;
FIG. 3 is a left side elevational view of the shower controller of FIG. 1;
FIG. 4 is a right side elevational view of the shower controller of FIG. 1;
FIG. 5 is a top plan view of the shower controller of FIG. 1; and,
FIG. 6 is a bottom plan view of the shower controller of FIG. 1.
The portions of the Figures shown in broken lines are not part of the claimed design and are for illustration only.

(56) **References Cited**

U.S. PATENT DOCUMENTS

D591,182 S *	4/2009	Schoenherr	D10/49
D613,626 S *	4/2010	Wang	D10/50
D631,946 S *	2/2011	Allard	D10/49
D669,865 S *	10/2012	Gilbert	D23/249
D669,866 S *	10/2012	Gilbert	D10/49

1 Claim, 3 Drawing Sheets



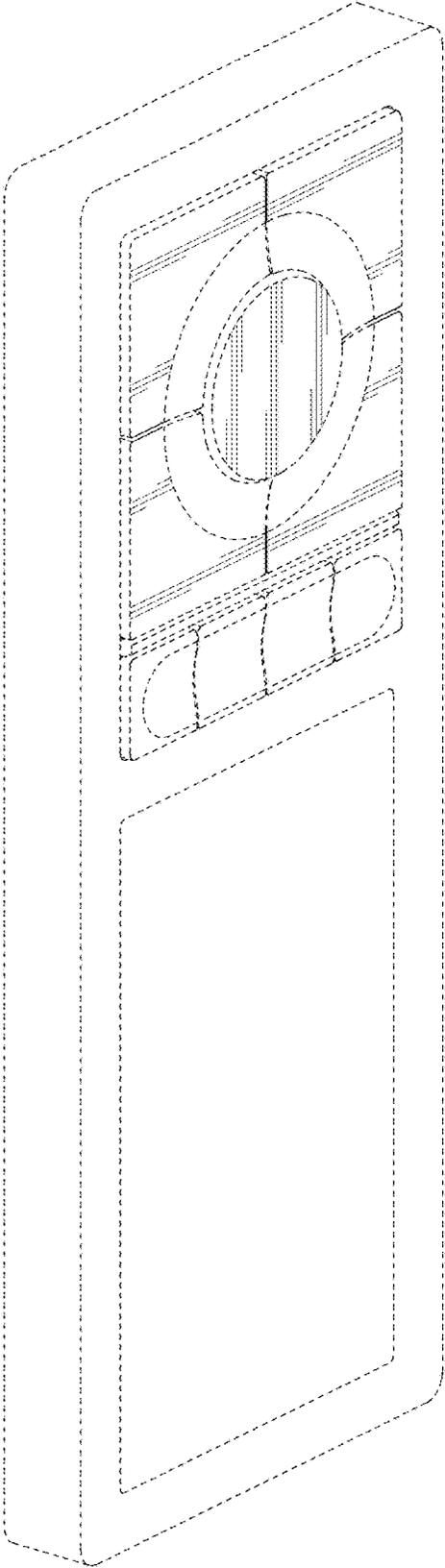


FIG. 1

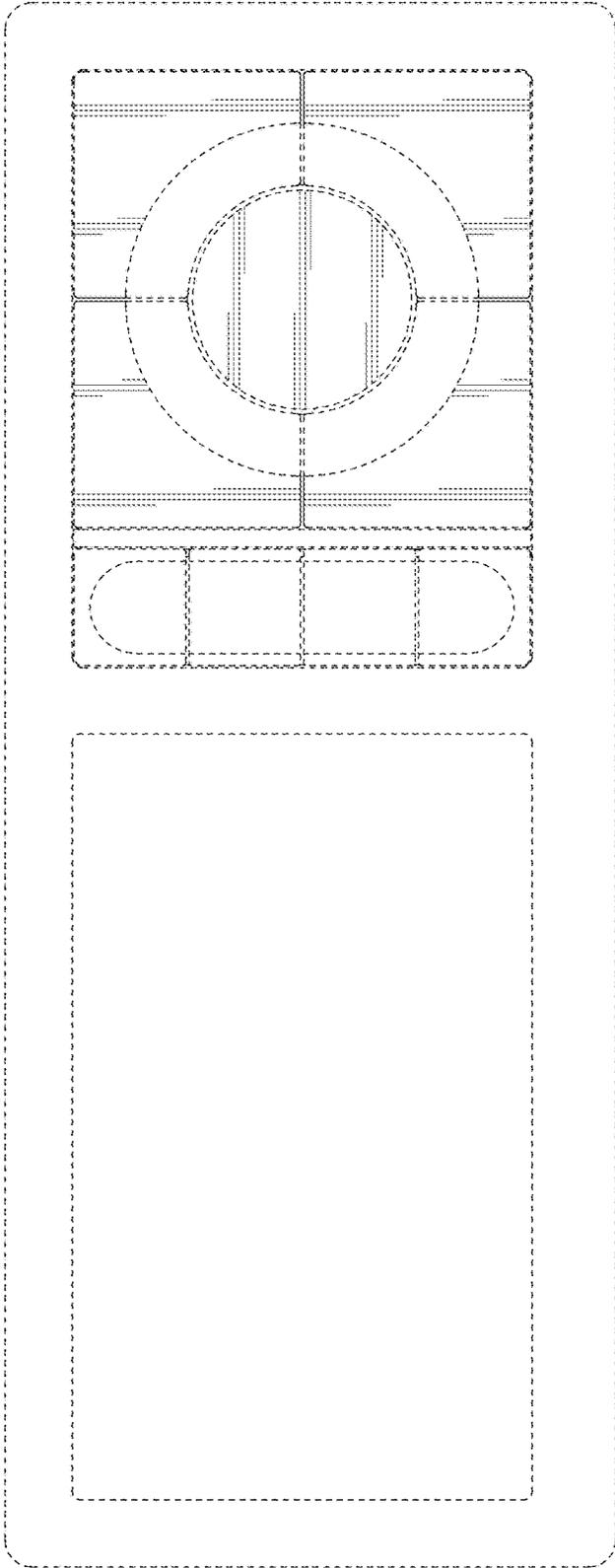


FIG. 2

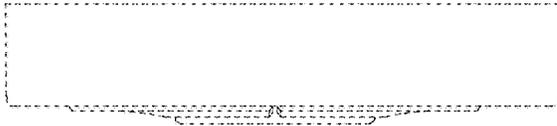


FIG. 3



FIG. 4



FIG. 5



FIG. 6