



US00D783193S

(12) **United States Design Patent**
Kao

(10) **Patent No.:** **US D783,193 S**

(45) **Date of Patent:** **** Apr. 4, 2017**

(54) **FLASHLIGHT**

(71) Applicant: **Wen-Chun Kao**, Taipei (TW)

(72) Inventor: **Wen-Chun Kao**, Taipei (TW)

(**) Term: **14 Years**

(21) Appl. No.: **29/517,764**

(22) Filed: **Feb. 17, 2015**

(51) **LOC (10) Cl.** **26-02**

(52) **U.S. Cl.**
USPC **D26/49**

(58) **Field of Classification Search**

USPC D26/37, 38, 46, 49, 51; 362/157, 158,
362/183, 184, 194-196, 202-208, 253
CPC F21L 2003/00; F21L 4/00; F21L 4/005;
F21L 4/02; F21L 4/025; F21L 4/027;
F21L 4/04; F21L 4/08; F21L 2005/00;
F21L 7/00; F21L 11/00; F21L 13/00;
F21L 13/04; F21L 13/08; F21L 14/02;
F21L 17/00; F21L 19/00; F21L 25/00
See application file for complete search history.

(56) **References Cited**

U.S. PATENT DOCUMENTS

D576,757 S *	9/2008	Hesse	D26/49
D577,452 S *	9/2008	Shiu	D26/49
D583,087 S *	12/2008	Opolka	D26/49
D629,544 S *	12/2010	Deguglimo	D26/49
D683,877 S *	6/2013	Brands	D26/49

D685,939 S *	7/2013	Cooper	D26/49
D685,940 S *	7/2013	Lee	D26/49
D698,961 S *	2/2014	Dalton	D26/49
D706,476 S *	6/2014	Lee	D26/49
D716,984 S *	11/2014	Inskeep	D26/49
D717,480 S *	11/2014	Hsu	D26/49
D726,358 S *	4/2015	Young	D26/40
D732,721 S *	6/2015	Popper	D26/49
D747,024 S *	1/2016	Windom	D26/49

* cited by examiner

Primary Examiner — Ian Simmons

Assistant Examiner — Carissa C Fitts

(74) *Attorney, Agent, or Firm* — Raymond Y. Chan;
David and Raymond Patent Firm

(57) **CLAIM**

The ornamental design for a flashlight, as shown and described.

DESCRIPTION

FIG. 1 is a perspective view of a flashlight showing my new design.

FIG. 2 is a front elevational view thereof.

FIG. 3 is a rear elevational view thereof.

FIG. 4 is a right side elevational view thereof.

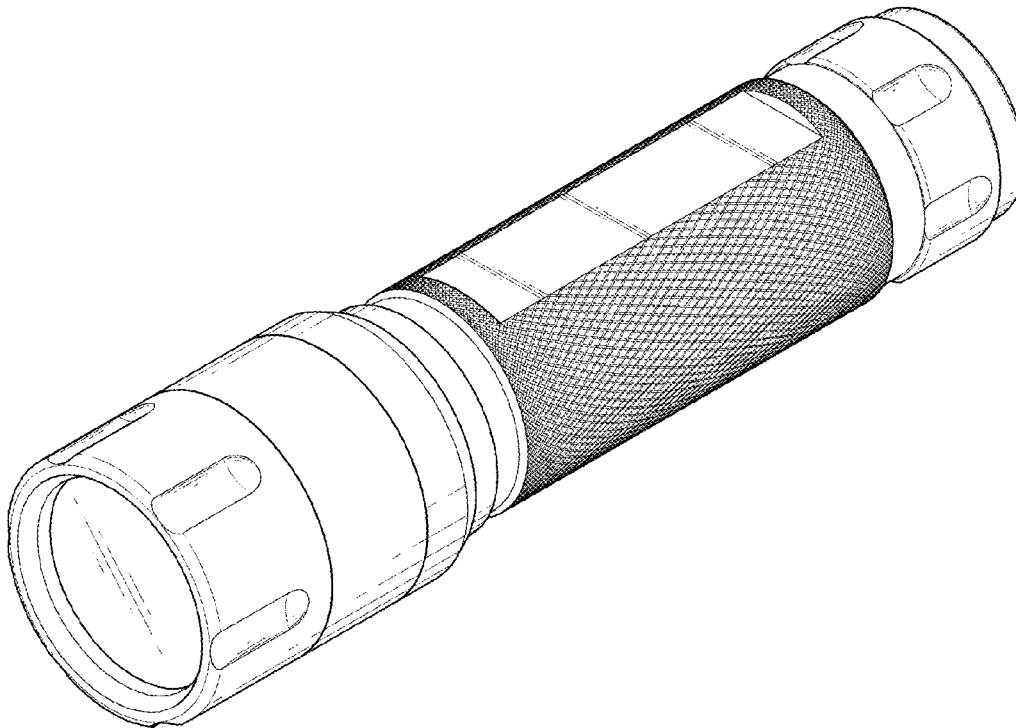
FIG. 5 is a left side elevational view thereof.

FIG. 6 is a top plan view thereof; and,

FIG. 7 is a bottom plan view thereof.

The broken line showing represents unclaimed portions of the article and forms no part of the claimed design.

1 Claim, 7 Drawing Sheets



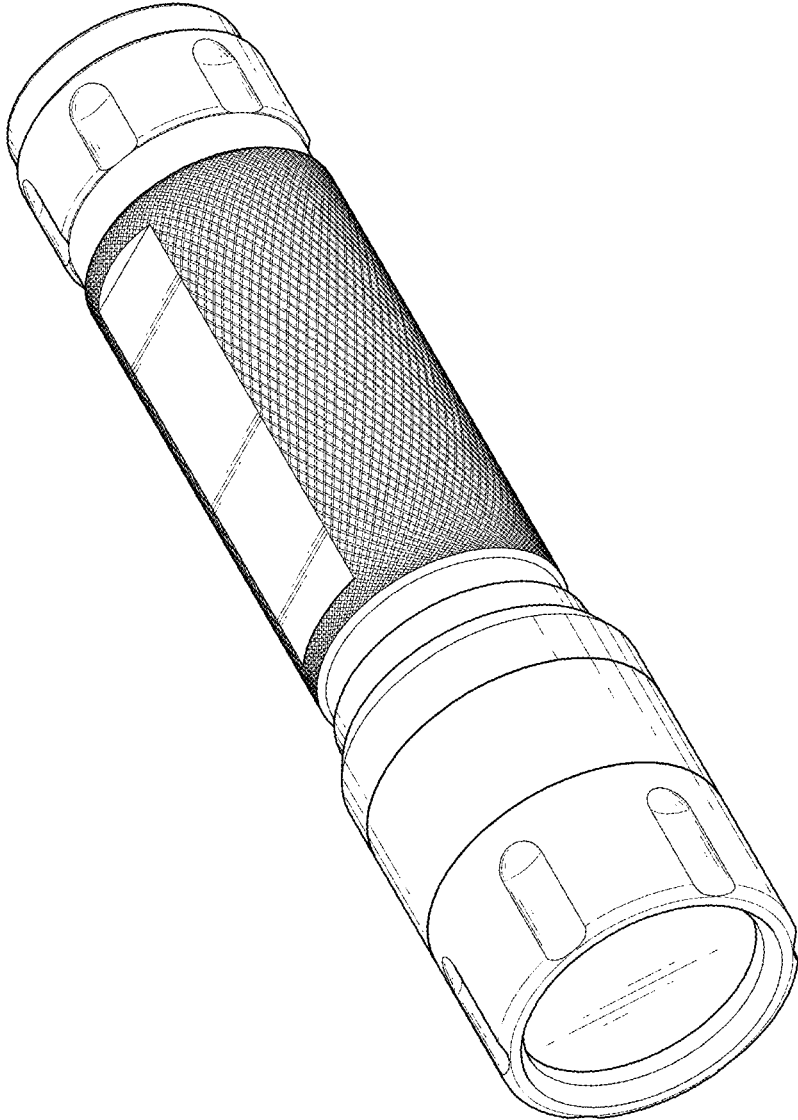


FIG. 1

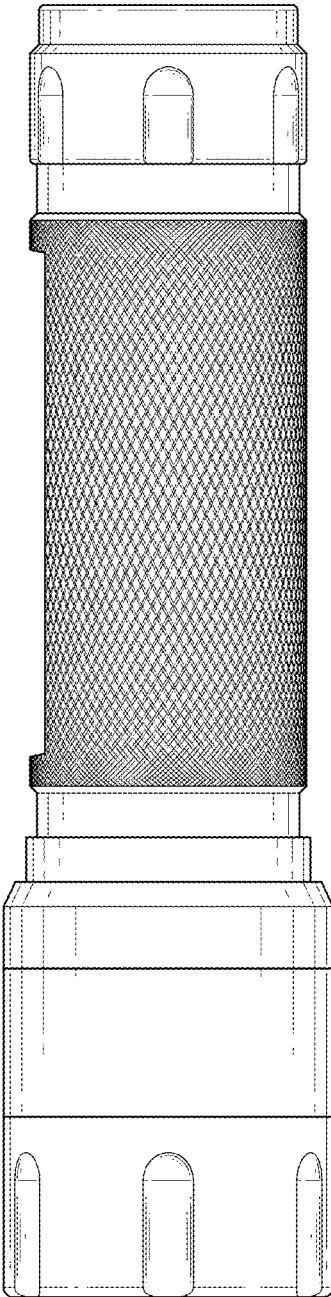


FIG. 2

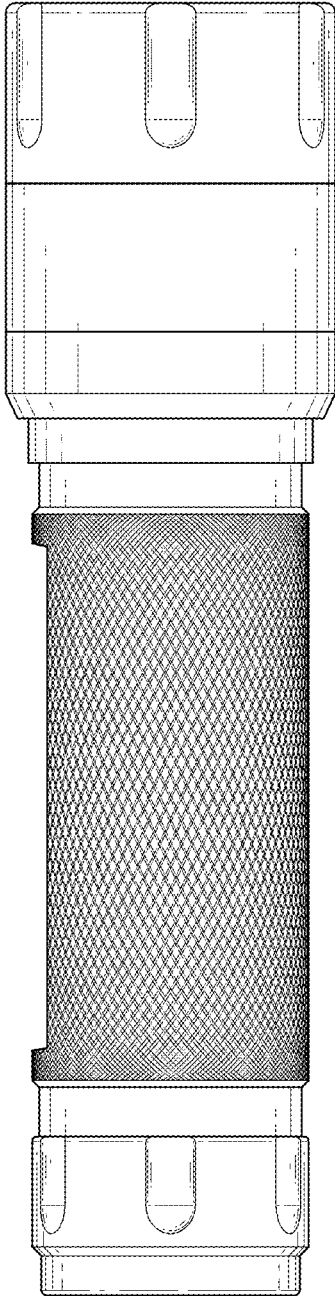


FIG. 3

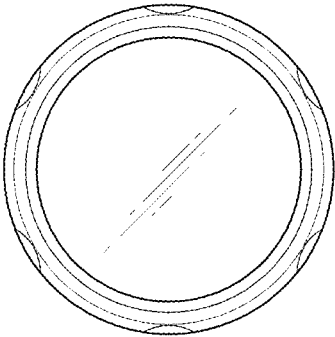


FIG. 4

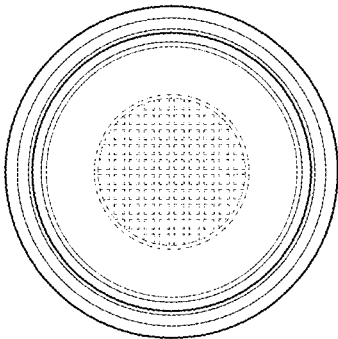


FIG. 5

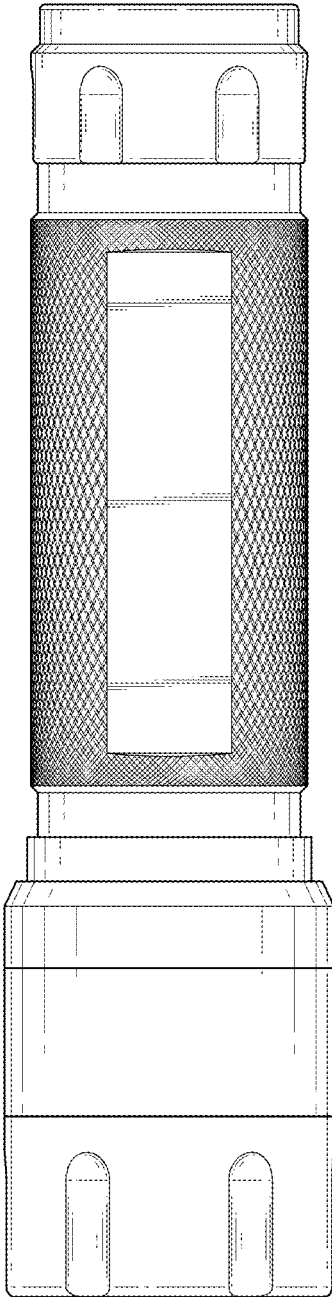


FIG. 6

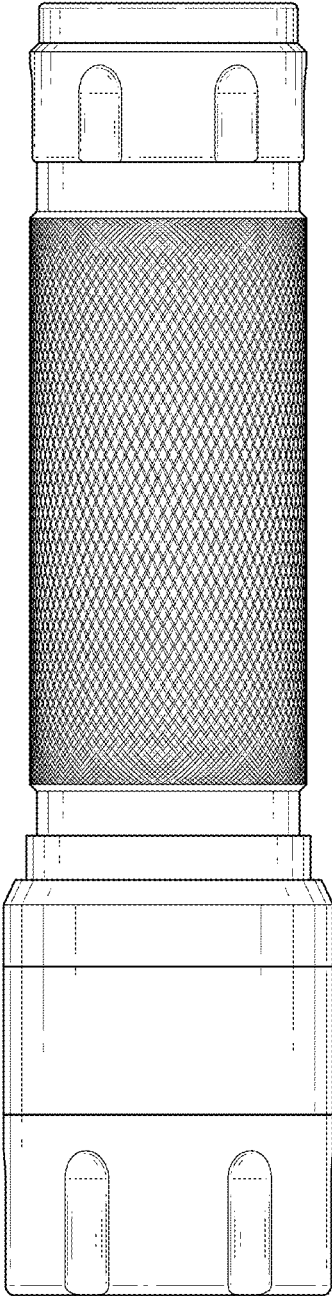


FIG. 7