



US00D951184S

(12) **United States Design Patent**
Li

(10) **Patent No.:** **US D951,184 S**

(45) **Date of Patent:** **** May 10, 2022**

(54) **CHARGING CASE FOR EARPHONES**

FOREIGN PATENT DOCUMENTS

(71) Applicant: **Shenzhen Yama Electronic Co., Ltd.**,
Shenzhen (CN)

CN 305407633 S 10/2019
CN 306521192 S 5/2021

(Continued)

(72) Inventor: **Wenjin Li**, Shenzhen (CN)

OTHER PUBLICATIONS

(73) Assignee: **SHENZHEN YAMA ELECTRONIC CO., LTD.**, Shenzhen (CN)

“Apple Wireless Charging Case”. Found online Jul. 14, 2021 at appleinsider.com. Reference dated Jul. 10, 2018. Retrieved from <https://appleinsider.com/articles/18/07/10/long-term-review-apples-airpods-are-still-the-best-wireless-headphones-around>. (Year: 2018).*

(Continued)

(**) Term: **15 Years**

(21) Appl. No.: **29/779,255**

Primary Examiner — Kendra Leslie Hamilton

Assistant Examiner — Amanda Christensen

(22) Filed: **Apr. 18, 2021**

(74) *Attorney, Agent, or Firm* — Hemisphere Law, PLLC; Zhigang Ma

(30) **Foreign Application Priority Data**

Dec. 31, 2020 (CN) 202030825017.7

(51) **LOC (13) Cl.** **13-02**

(52) **U.S. Cl.**
USPC **D13/108; D3/294**

(58) **Field of Classification Search**
USPC ... D13/103, 107, 108, 118, 119, 138.1, 184,
D13/199; D3/201, 273, 294, 295;
D14/251, 432, 433, 434, 439
CPC . A45C 2011/001; B65D 43/16; H02J 7/00047
See application file for complete search history.

(57) **CLAIM**

The ornamental design for a charging case for earphones, as shown and described.

DESCRIPTION

FIG. 1 is a top, front, right side perspective view of a charging case for earphones, showing my new design closed in a first configuration;
FIG. 2 is a bottom, rear, left side perspective view thereof;
FIG. 3 is a front elevational view thereof;
FIG. 4 is a rear elevational view thereof;
FIG. 5 is a left side elevational view thereof;
FIG. 6 is a right side elevational view thereof;
FIG. 7 is a top plan view thereof;
FIG. 8 is a bottom plan view thereof;
FIG. 9 is top, front, right side perspective view of the charging case for earphones, shown open in a second configuration; and,
FIG. 10 is a bottom, rear, left side perspective view thereof.
The broken lines in the drawings depict portions of the charging case for earphones that form no part of the claimed design.

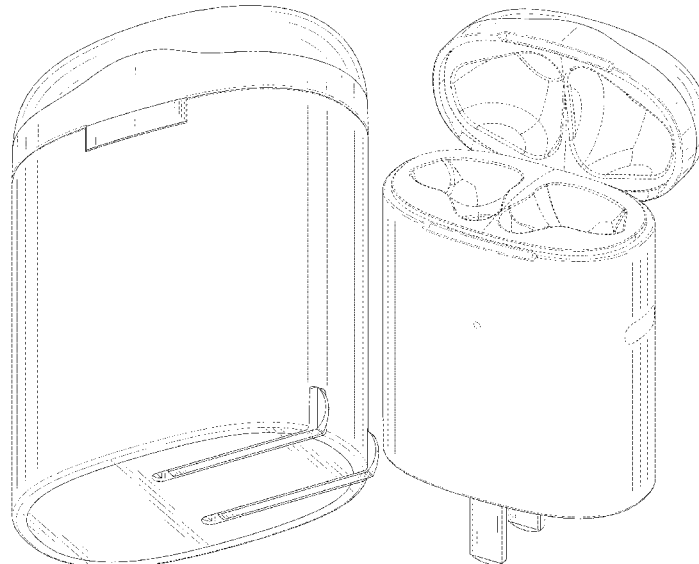
(56) **References Cited**

U.S. PATENT DOCUMENTS

D621,782 S * 8/2010 Chang D13/138.1
D634,269 S * 3/2011 Griffin, Jr. D13/103
D780,725 S 3/2017 Kim et al.
D791,076 S 7/2017 Kim et al.
D791,077 S * 7/2017 Tsou D13/108
D791,698 S 7/2017 Kim et al.

(Continued)

1 Claim, 10 Drawing Sheets



(56)

References Cited

U.S. PATENT DOCUMENTS

D806,388 S * 1/2018 Akana D3/294
 D821,972 S * 7/2018 Wei D13/108
 D892,735 S * 8/2020 Zhang D13/108
 D893,184 S 8/2020 Liu
 D893,185 S 8/2020 Liu
 D897,678 S 10/2020 Koh
 D904,025 S 12/2020 Ma
 D911,027 S 2/2021 Liang et al.
 D911,944 S 3/2021 Gao
 D920,236 S 5/2021 Xie
 D930,361 S * 9/2021 Jacobs D3/294
 D933,595 S * 10/2021 Geng D3/294
 D941,242 S * 1/2022 Guo D13/108
 2013/0094154 A1 * 4/2013 Shen H01R 31/065
 361/731
 2018/0350012 A1 * 12/2018 Messinger H02J 7/0027
 2021/0283287 A1 * 9/2021 Goodman A61L 2/10
 2021/0353022 A1 * 11/2021 Tseng A45C 13/007

FOREIGN PATENT DOCUMENTS

CN 306569824 S 5/2021
 CN 306628967 S 6/2021
 EM 003332725-0001 A1 10/2016

EM 007764170-0001 A1 3/2020
 JP D1680473 S 6/2020
 JP D1685315 S 5/2021
 KR 300905558 S 4/2017
 KR 301063085 S 6/2020

OTHER PUBLICATIONS

“RHA Wireless Flight Adapter”. Found online Feb. 8, 2022 at amazon.com. Reference dated Nov. 15, 2019. Retrieved from <https://www.pocket-lint.com/gadgets/reviews/rha/148983-rha-wireless-flight-adapter-bluetooth-wireless-flight-plane>. (Year: 2019).*

“Bluetooth Wireless Headphones Power Ban”. Found online Feb. 8, 2022 at [gadgets.10000.com](https://gadgets.10000.com/producto/bluetooth-wireless-headphones-power-bank/). Reference dated Jun. 15, 2020. Retrieved from <https://gadgets.10000.com/producto/bluetooth-wireless-headphones-power-bank/>. (Year: 2020).*

* cited by examiner

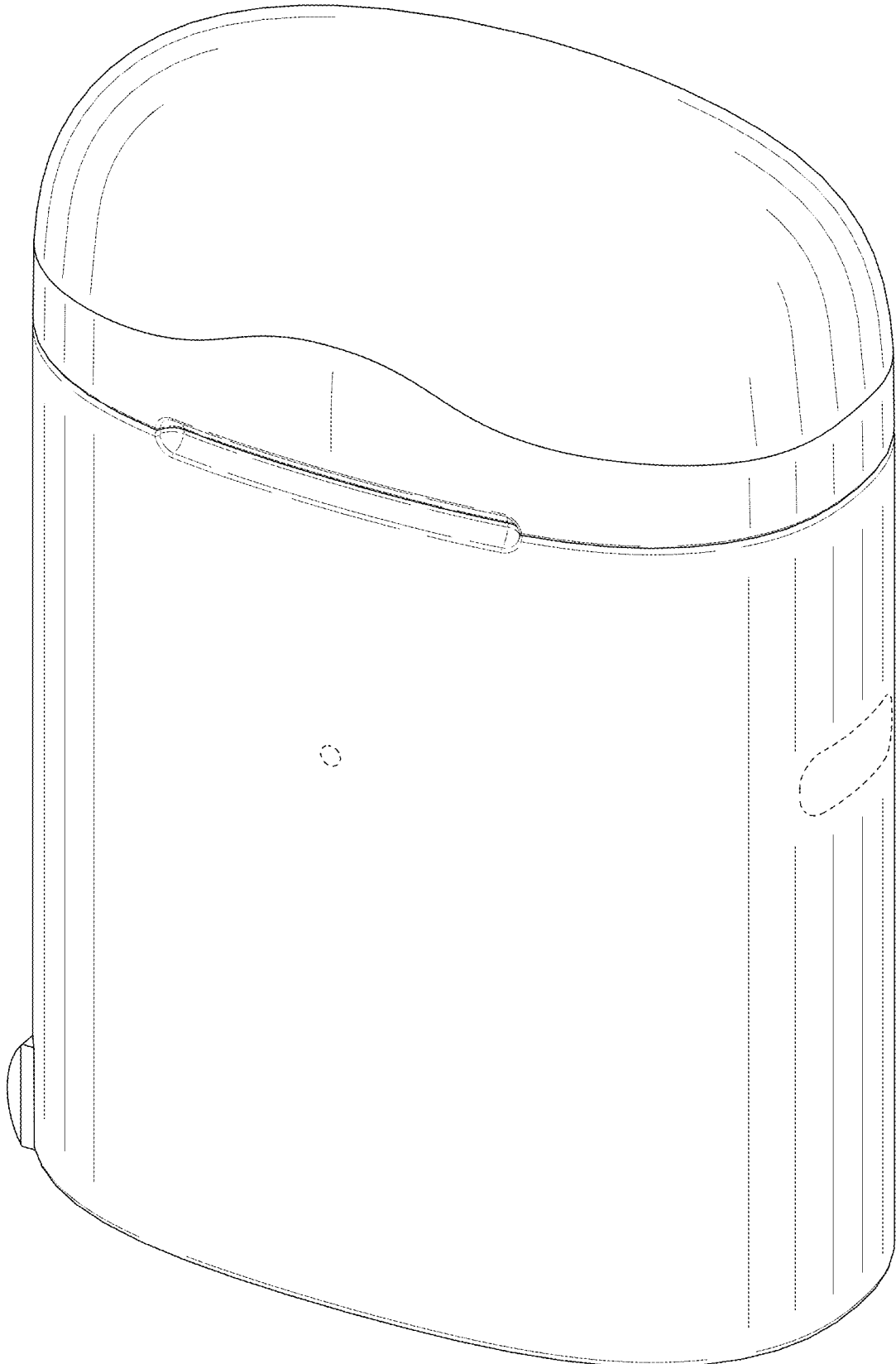


FIG. 1

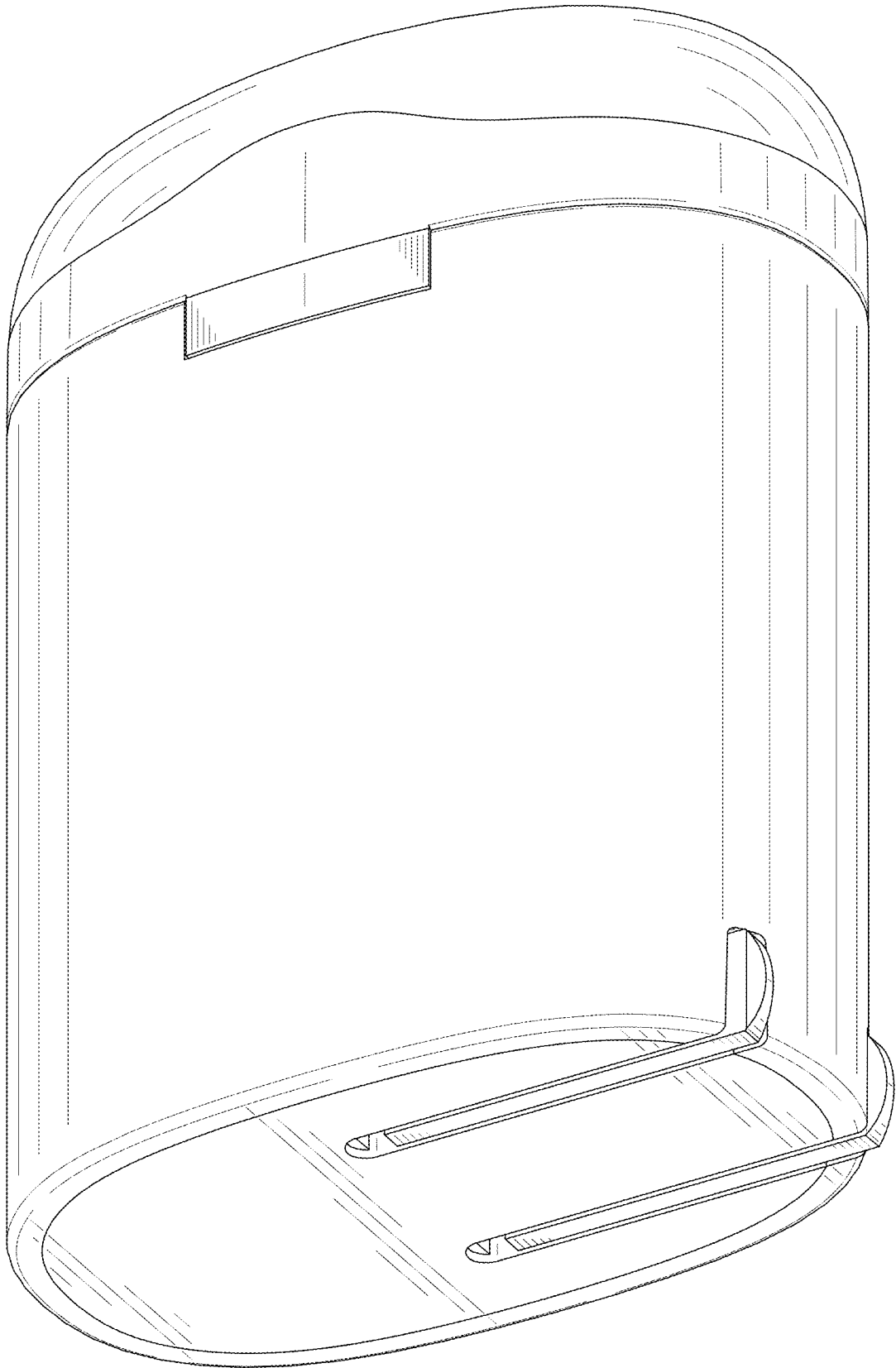


FIG. 2

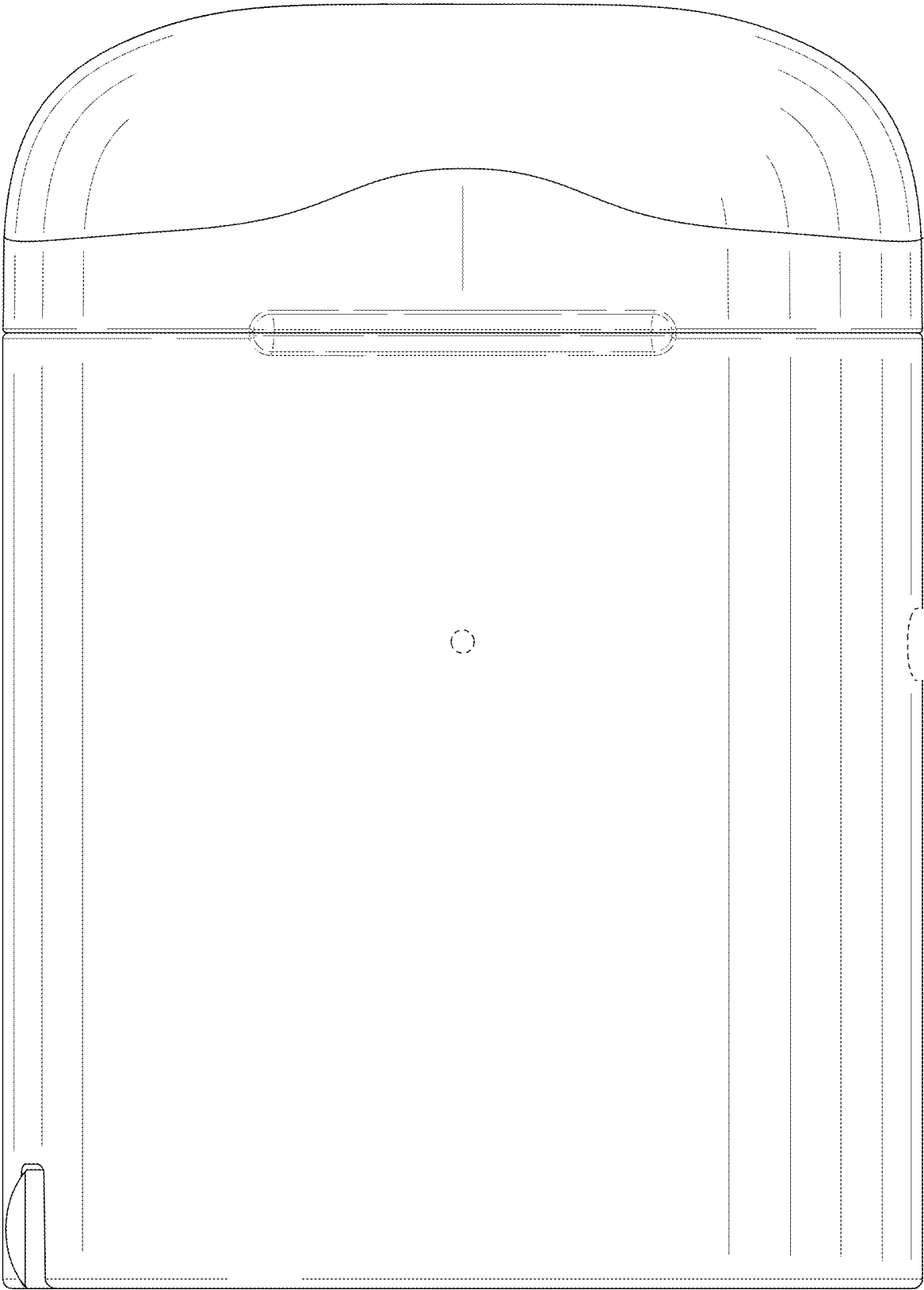


FIG. 3

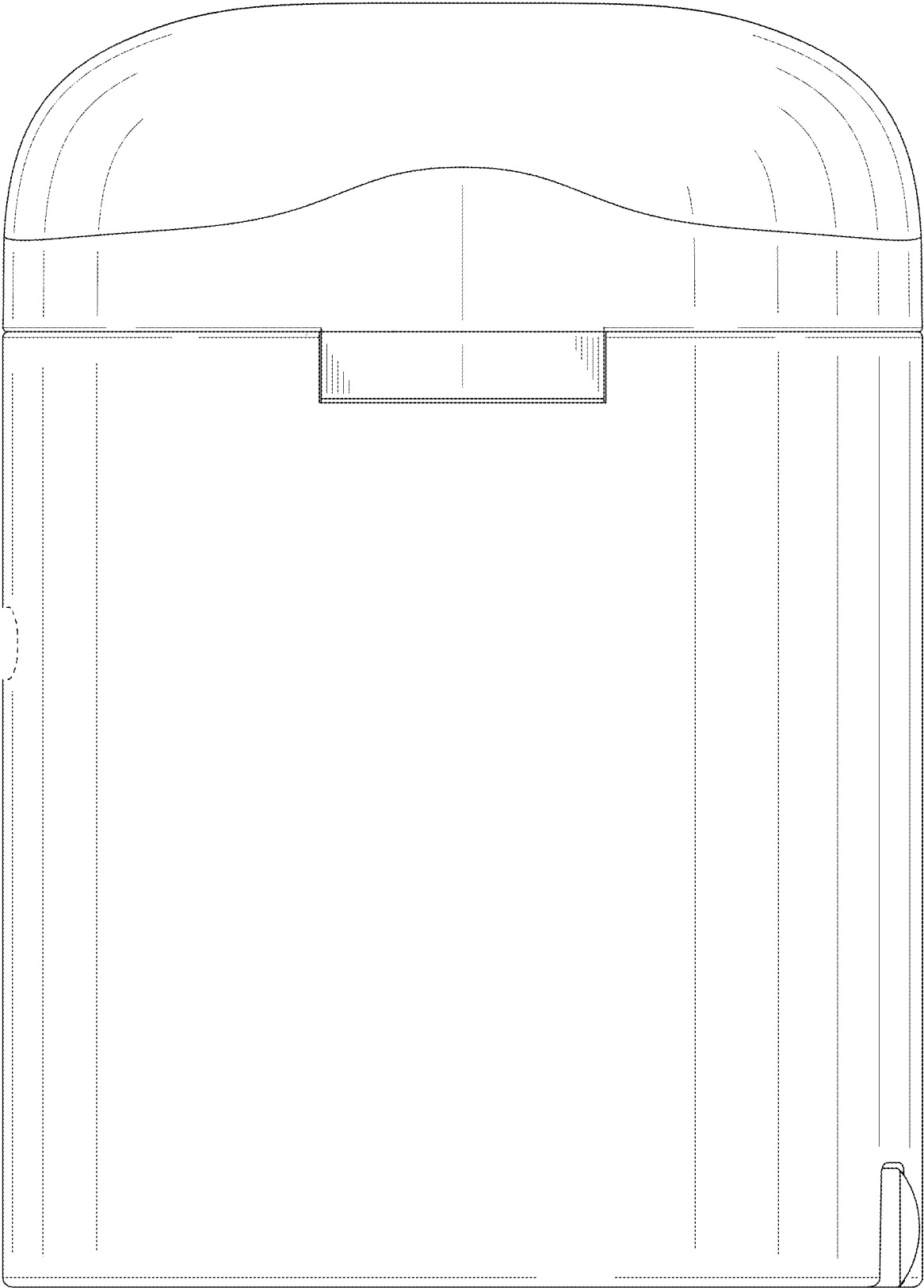


FIG. 4

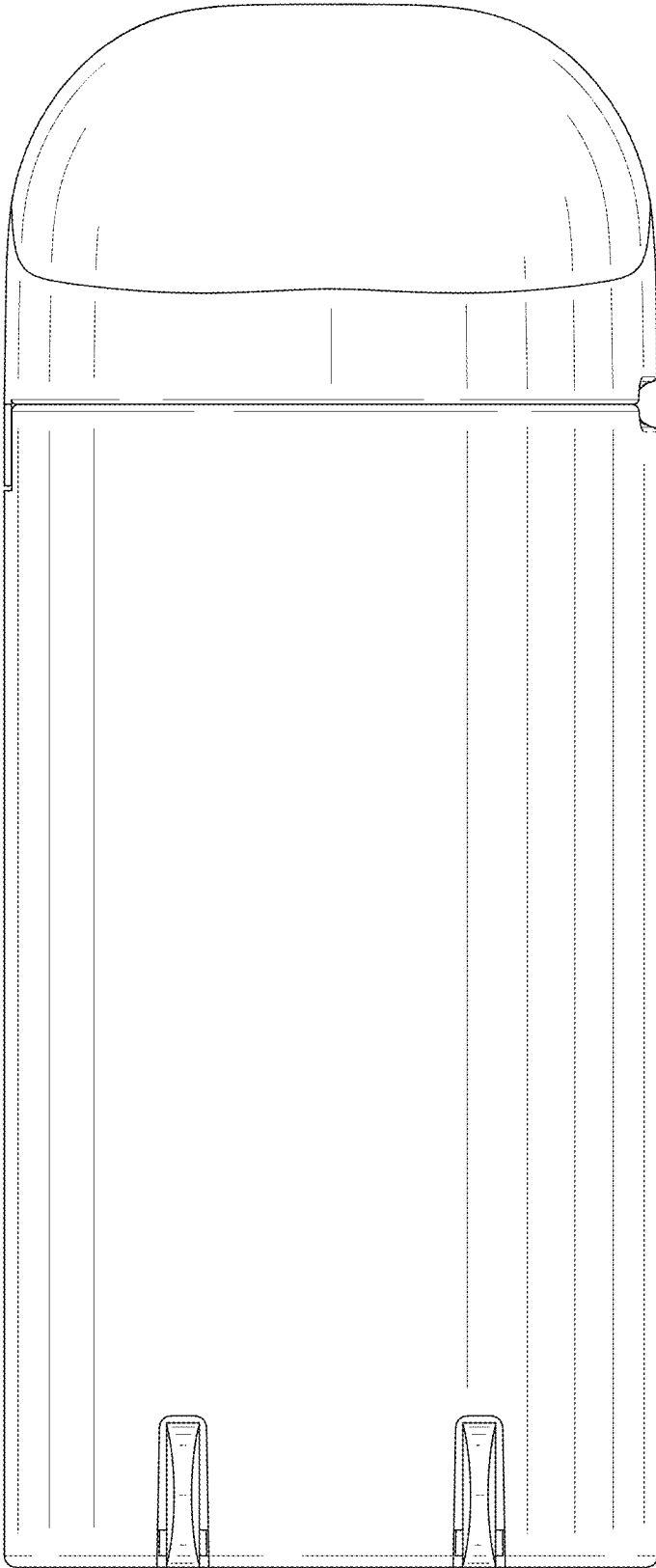


FIG. 5

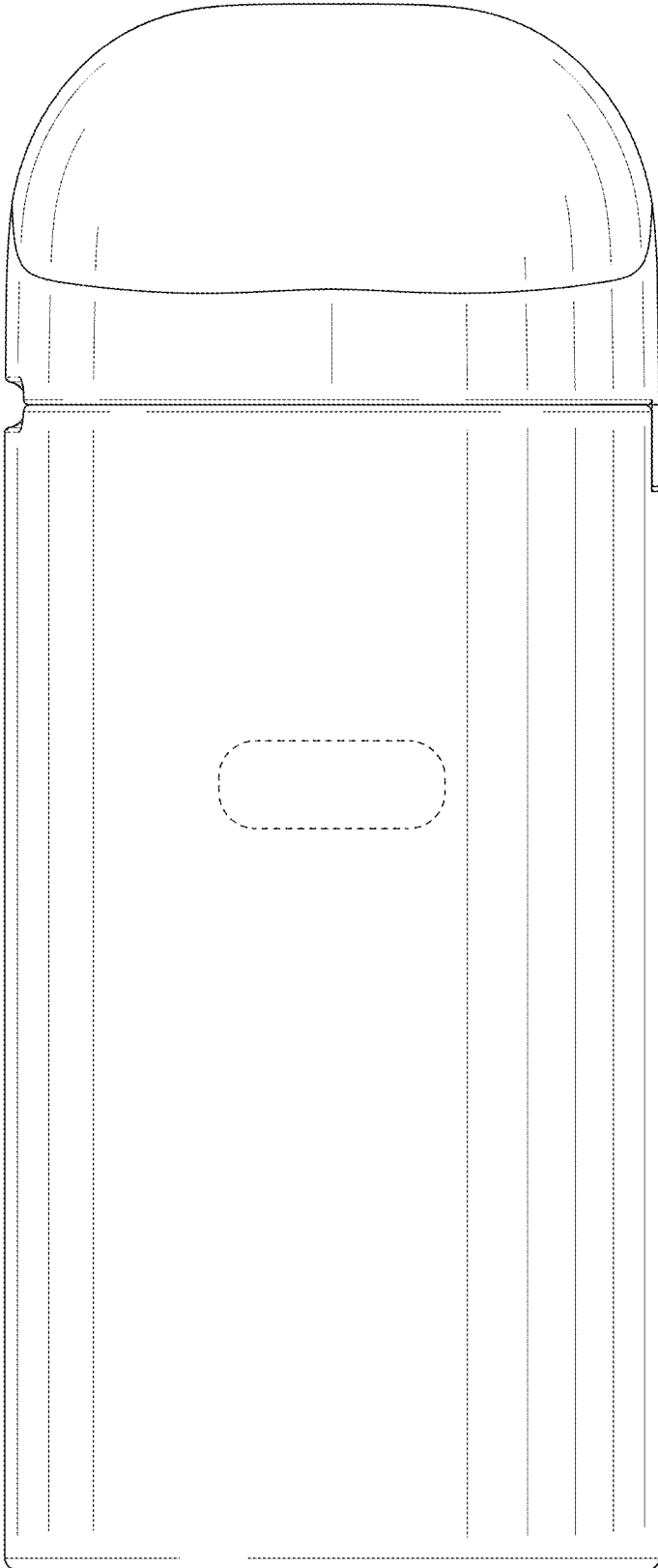


FIG. 6

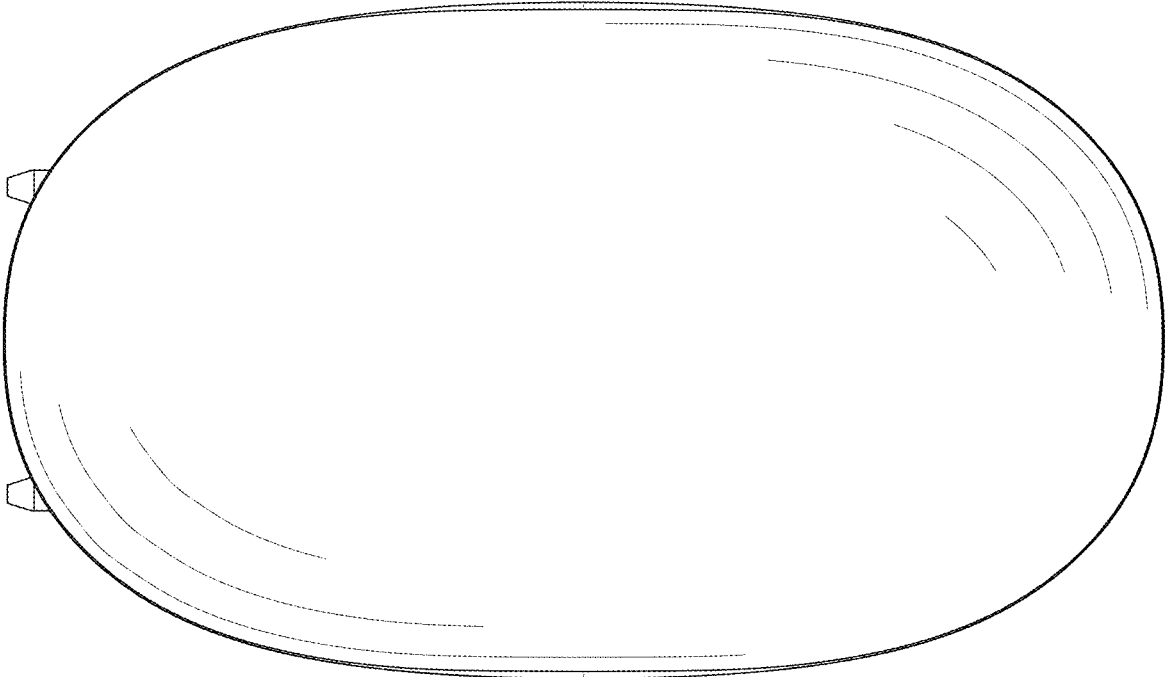


FIG. 7

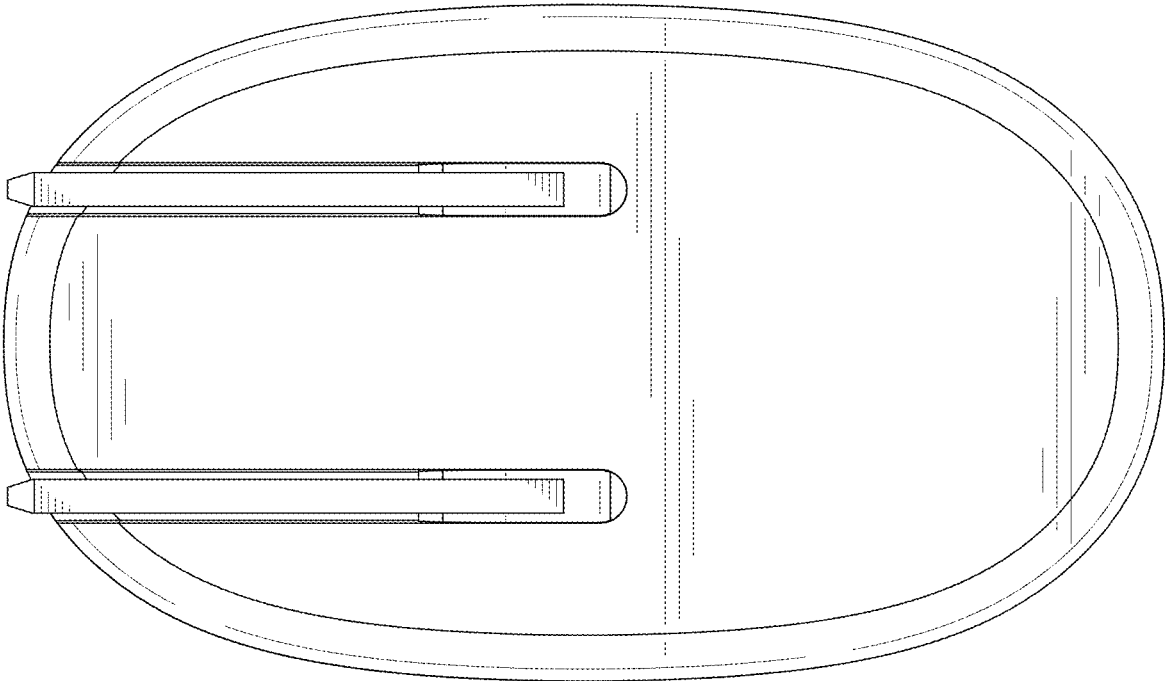


FIG. 8

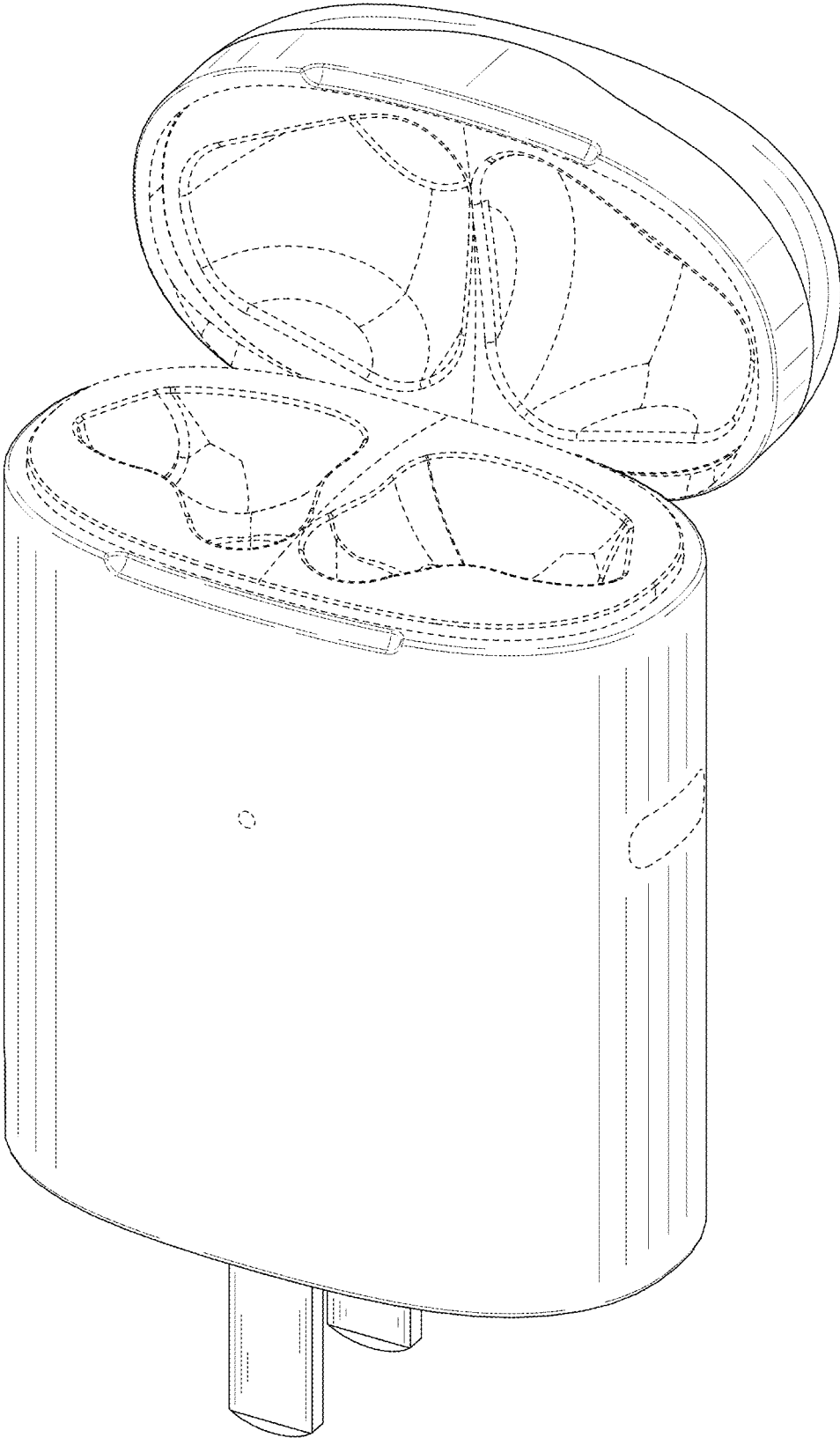


FIG. 9

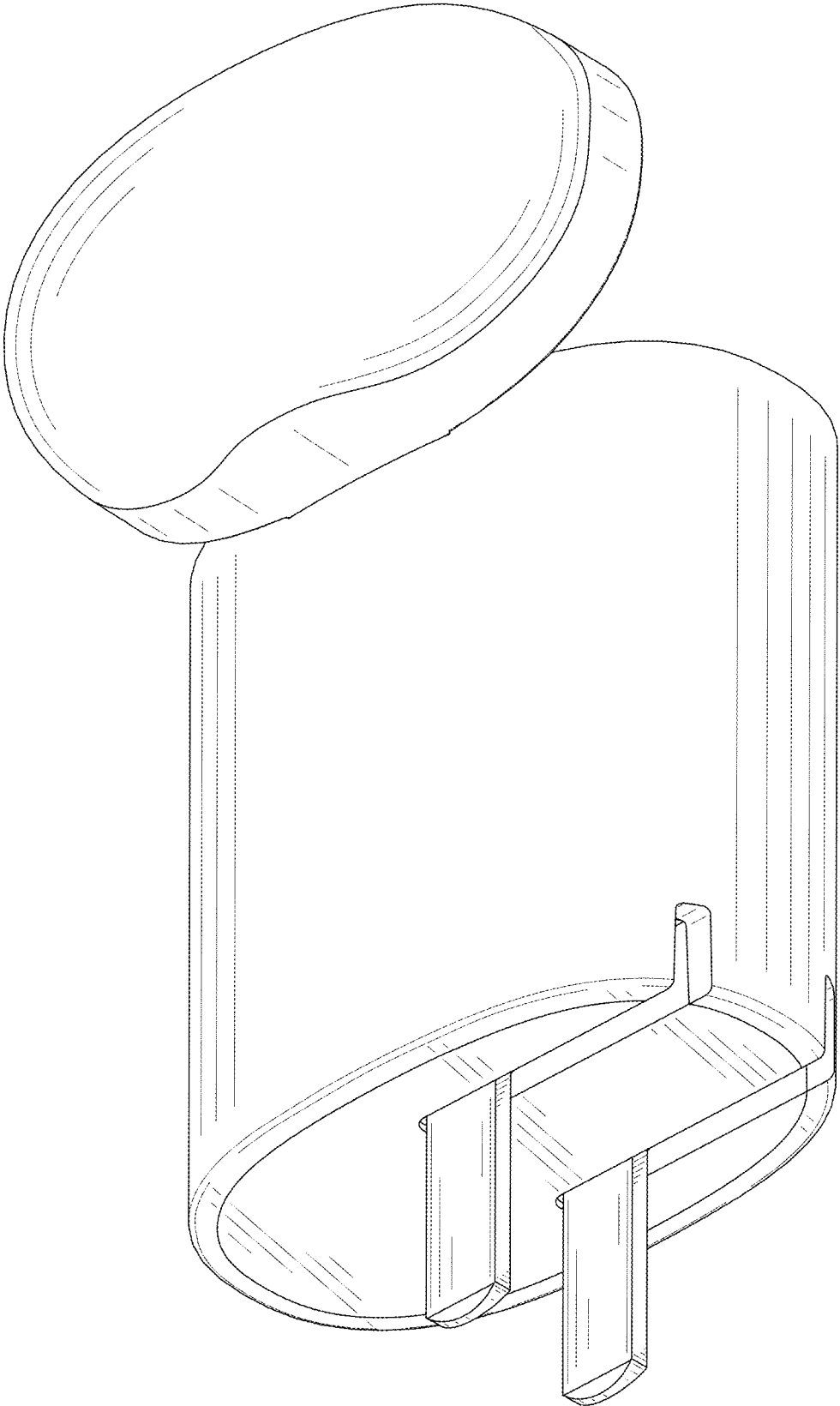


FIG. 10