



US0D1034621S

(12) **United States Design Patent**
Wengreen et al.

(10) **Patent No.:** **US D1,034,621 S**

(45) **Date of Patent:** **** Jul. 9, 2024**

(54) **MOUNT FOR ELECTRONIC DEVICES**

(71) Applicant: **Innovelis, Inc.**, Sammamish, WA (US)

(72) Inventors: **Eric John Wengreen**, Sammamish, WA (US); **Jack Snyder Koby**, Bellevue, WA (US)

(73) Assignee: **Innovelis, Inc.**, Sammamish, WA (US)

(**) Term: **15 Years**

(21) Appl. No.: **29/841,847**

(22) Filed: **Jun. 8, 2022**

(51) **LOC (14) Cl.** **14-03**

(52) **U.S. Cl.**
USPC **D14/447**

(58) **Field of Classification Search**
USPC D14/447, 432, 434, 439, 440, 451, 452, D14/457, 239, 251, 253, 341, 172, 209.1; D8/363, 373, 380; D6/406.3, 406.4, D6/406.5, 406.6, 700, 313; D12/415; D19/91, 86, 90; D3/218; D13/108
CPC A47B 21/04; A47B 2097/006; A47B 2097/005; A47B 2023/049; A45C 2011/002; A45C 2011/003; F16M 2200/00; F16M 13/00; A45F 2200/0516; A45F 2200/0525

See application file for complete search history.

(56) **References Cited**

U.S. PATENT DOCUMENTS

D710,340 S 8/2014 Wengreen
D710,363 S 8/2014 Wengreen
D763,835 S * 8/2016 Wengreen D6/567
D765,063 S * 8/2016 Wengreen D6/567

D765,064 S 8/2016 Wengreen
D777,167 S * 1/2017 Wengreen D14/447
D798,305 S 9/2017 Wengreen
D798,306 S * 9/2017 Wengreen D14/447
D812,064 S 3/2018 Wengreen
D829,723 S * 10/2018 Kanter D14/447
D832,274 S * 10/2018 Wengreen D14/447
D847,800 S * 5/2019 Wengreen D14/251
D847,801 S * 5/2019 Wengreen D14/251
D856,344 S 8/2019 Wengreen
10,386,704 B2 8/2019 Wengreen
D865,727 S 11/2019 Wengreen
D931,290 S * 9/2021 Wengreen D14/447
D995,731 S * 8/2023 Yang D14/447

* cited by examiner

Primary Examiner — Angela J Lee

(57) **CLAIM**

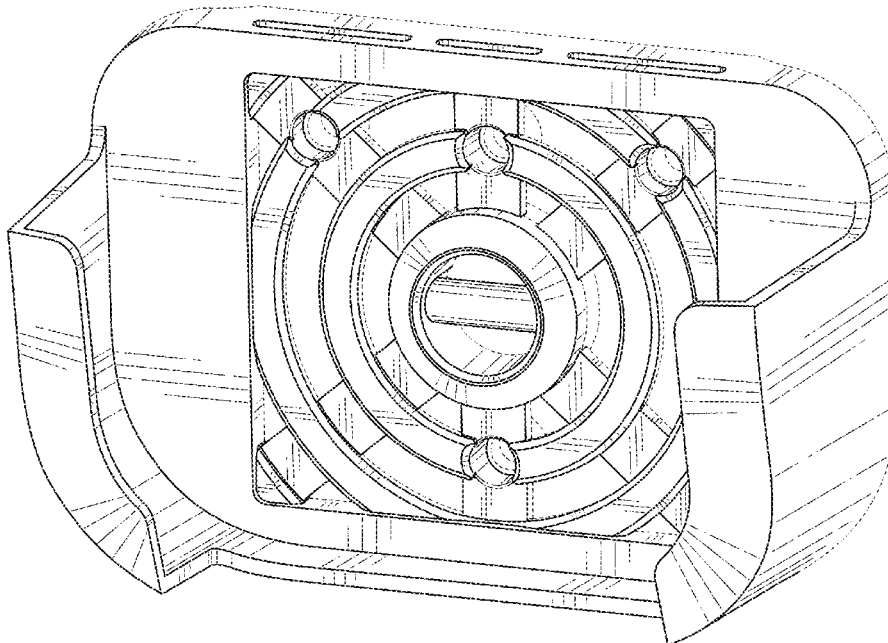
The ornamental design for a mount for electronic devices, as shown and described.

DESCRIPTION

FIG. 1 is a front, right side, and top perspective view of a mount for electronic devices embodying the new design; FIG. 2 is a front, left side, and bottom perspective view thereof; FIG. 3 is a back, left side, and top perspective view thereof; FIG. 4 is a front view thereof; FIG. 5 is a back view thereof; FIG. 6 is a left side view thereof; FIG. 7 is a right side view thereof; FIG. 8 is a top view thereof; and, FIG. 9 is a bottom view thereof.

The broken lines shown in the drawings represent portions of the mount for electronic devices that form no part of the claimed design.

1 Claim, 9 Drawing Sheets



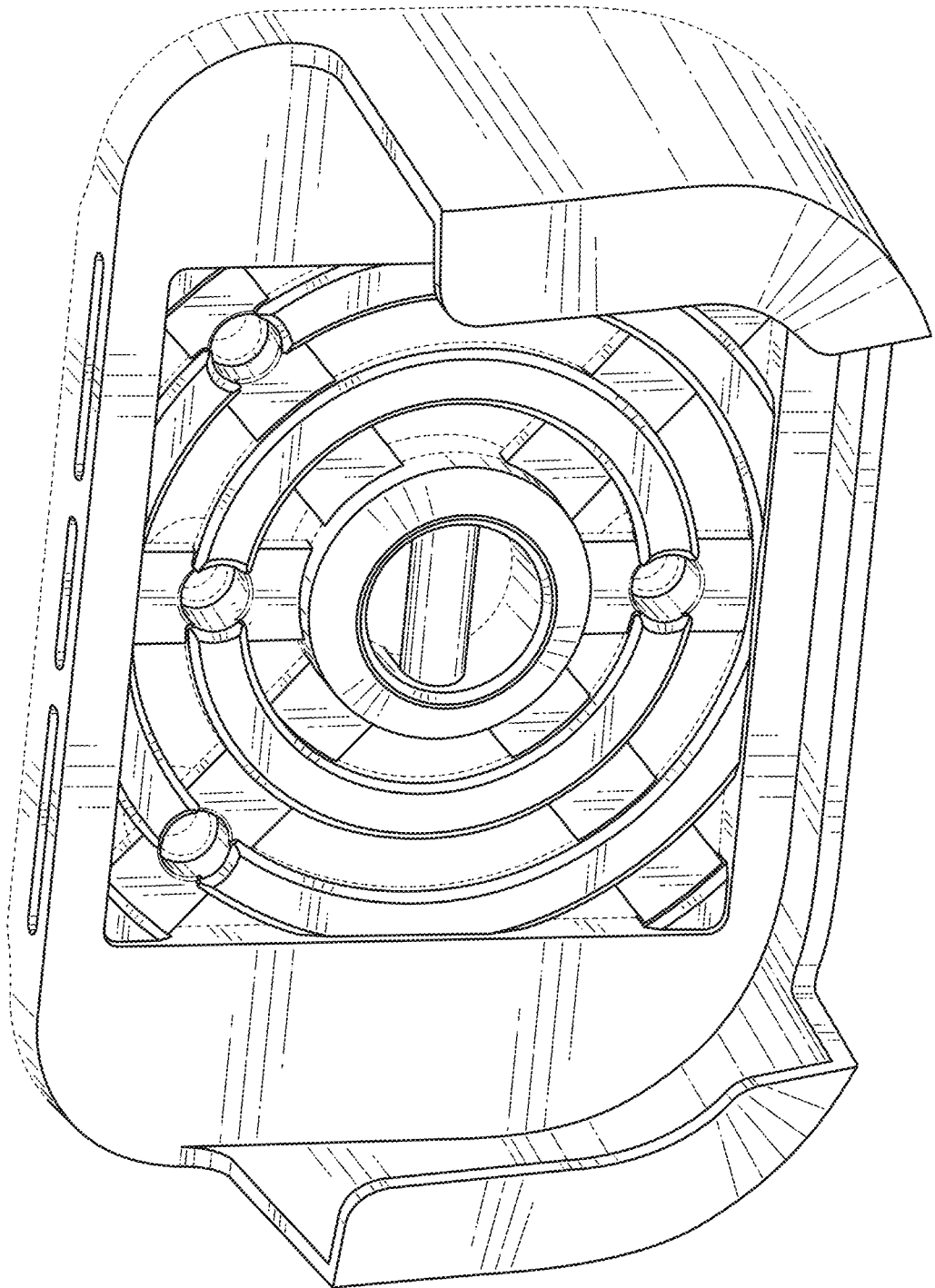


FIG. 1

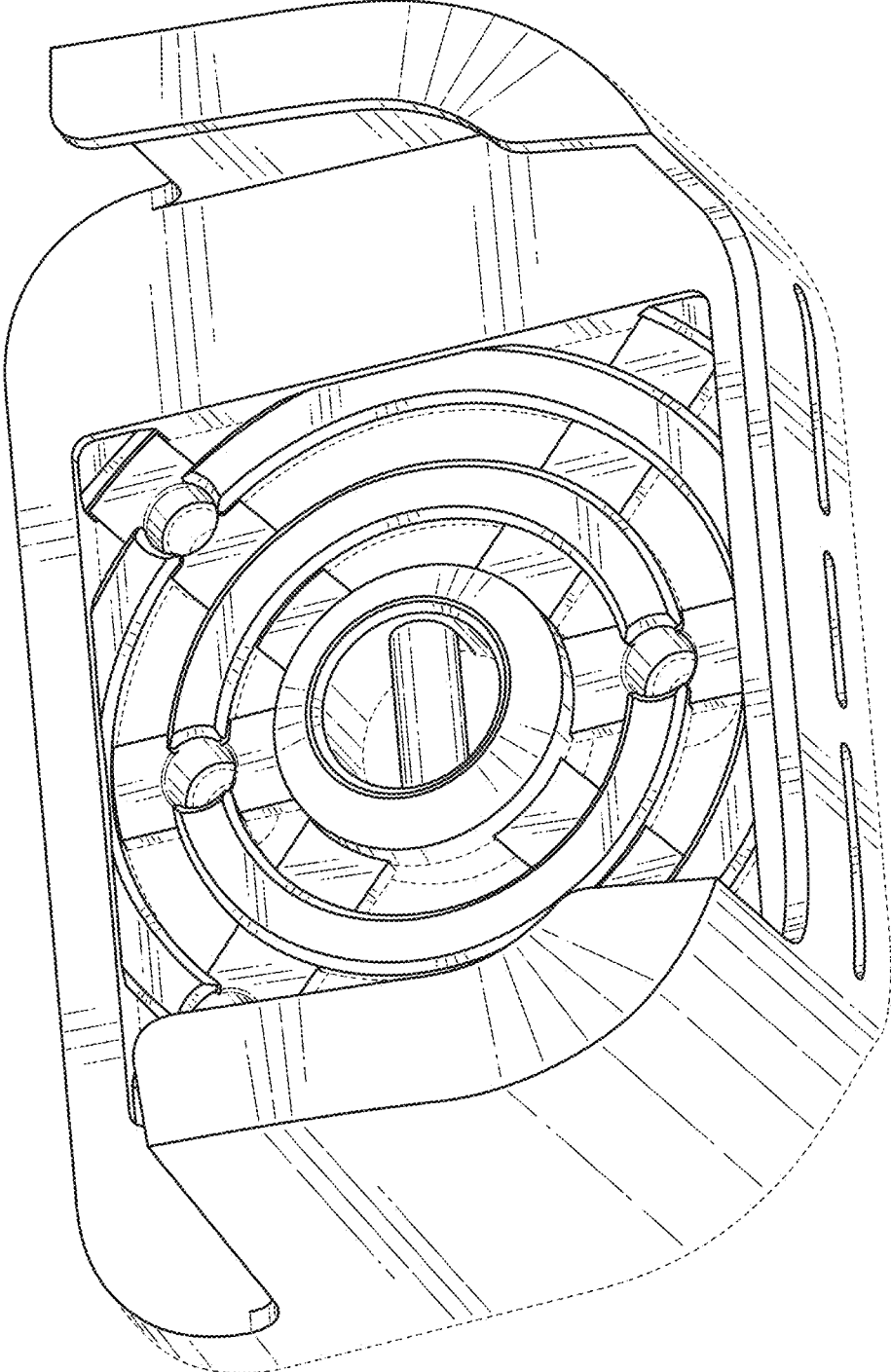


FIG. 2

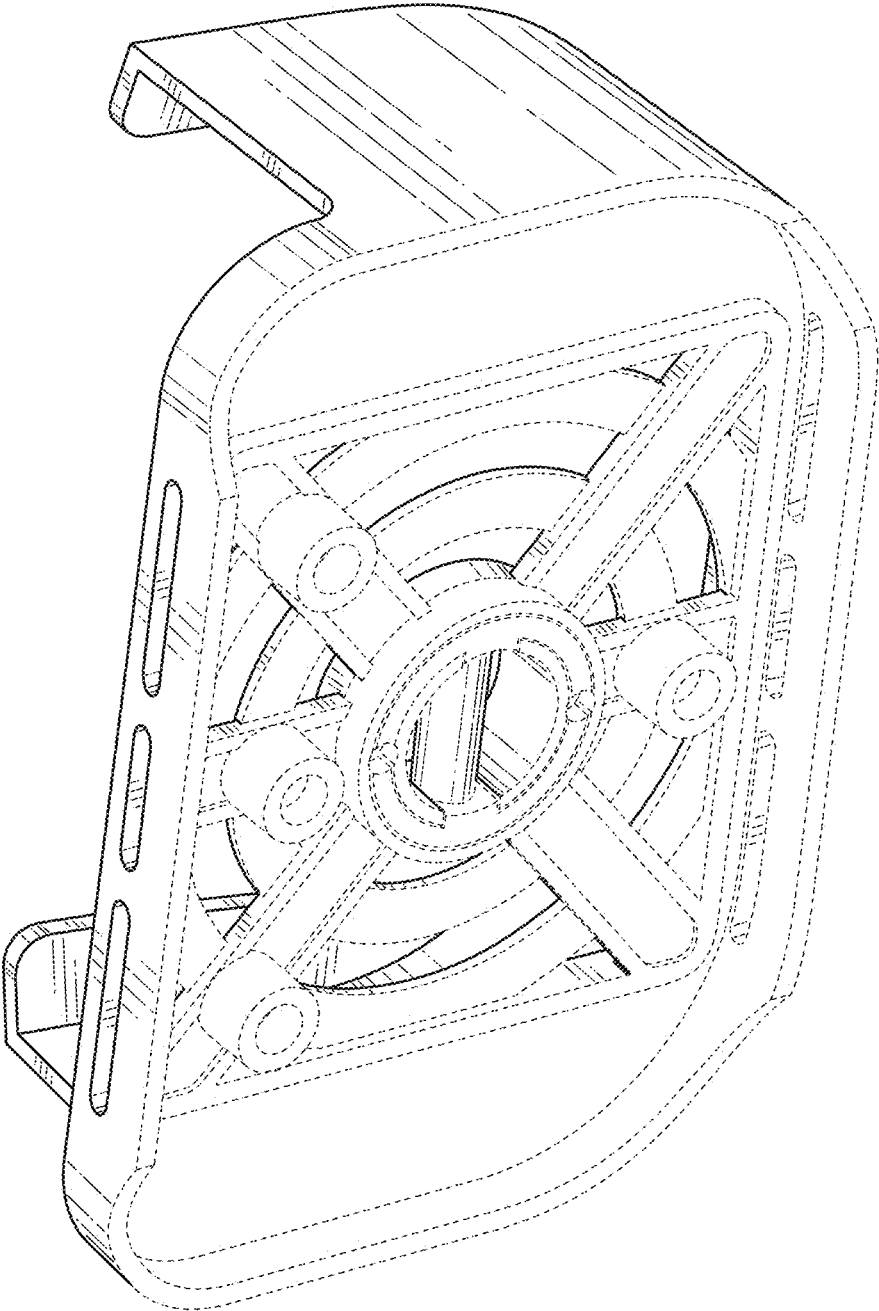


FIG. 3

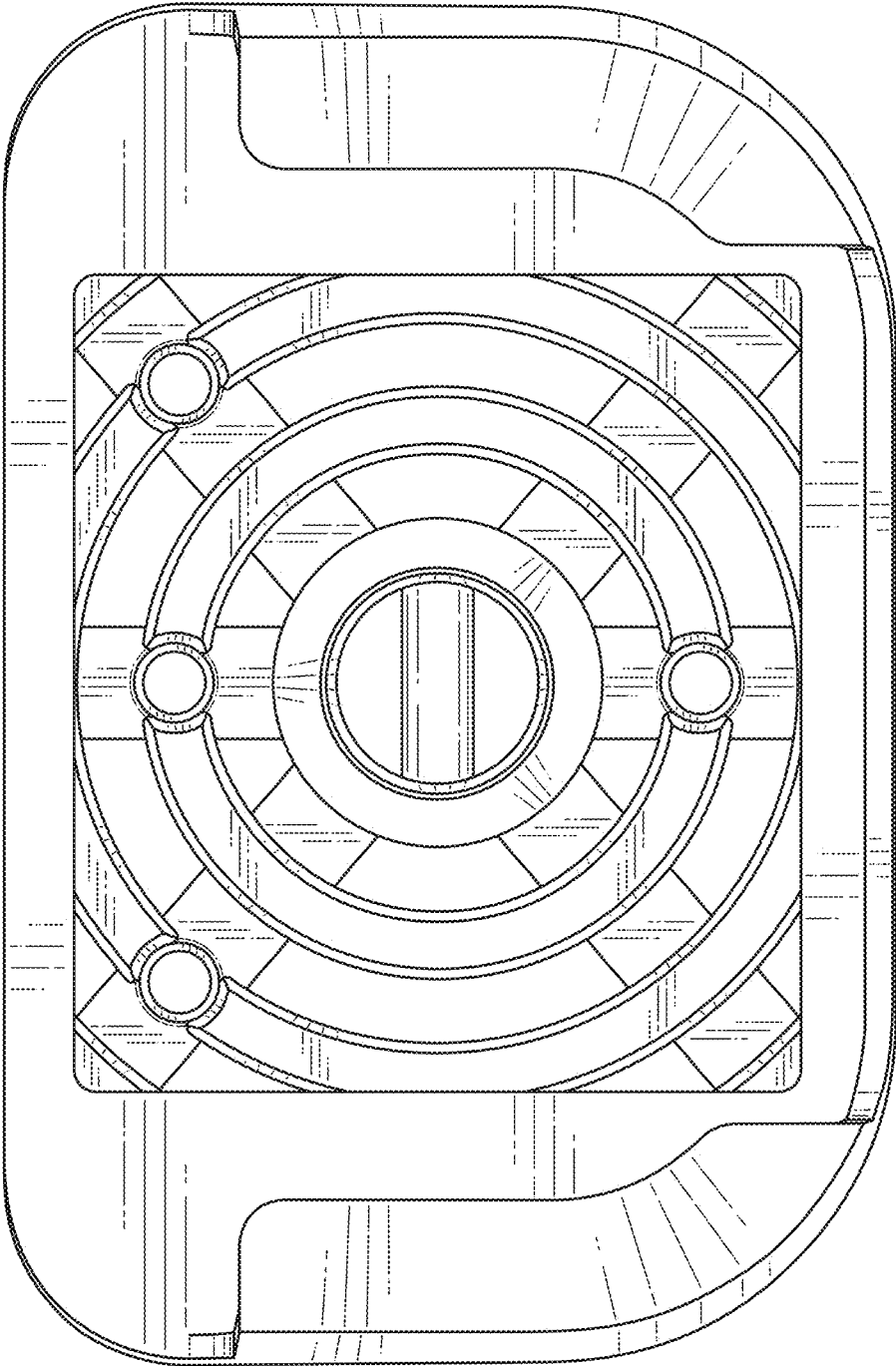


FIG. 4

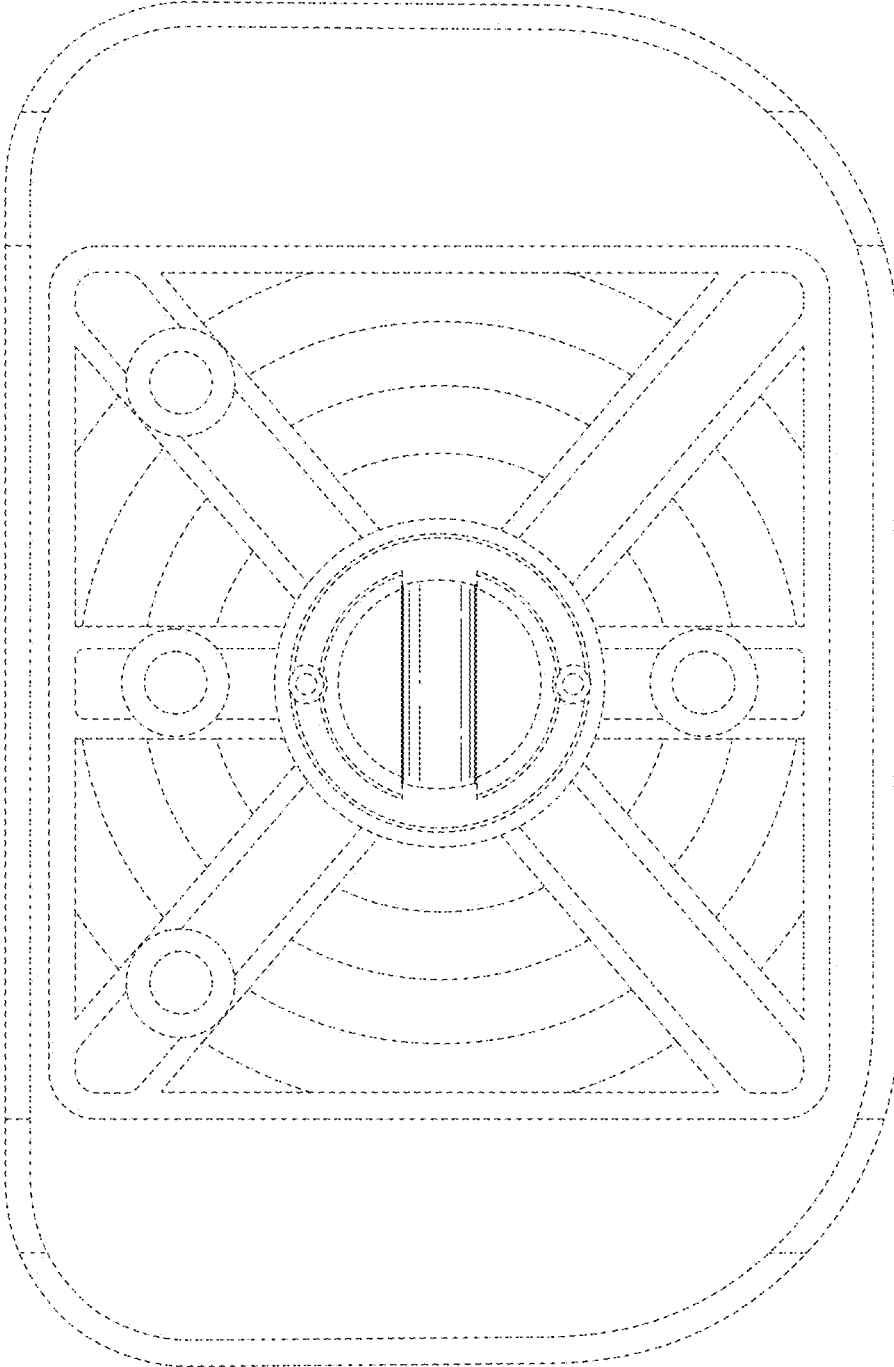


FIG. 5

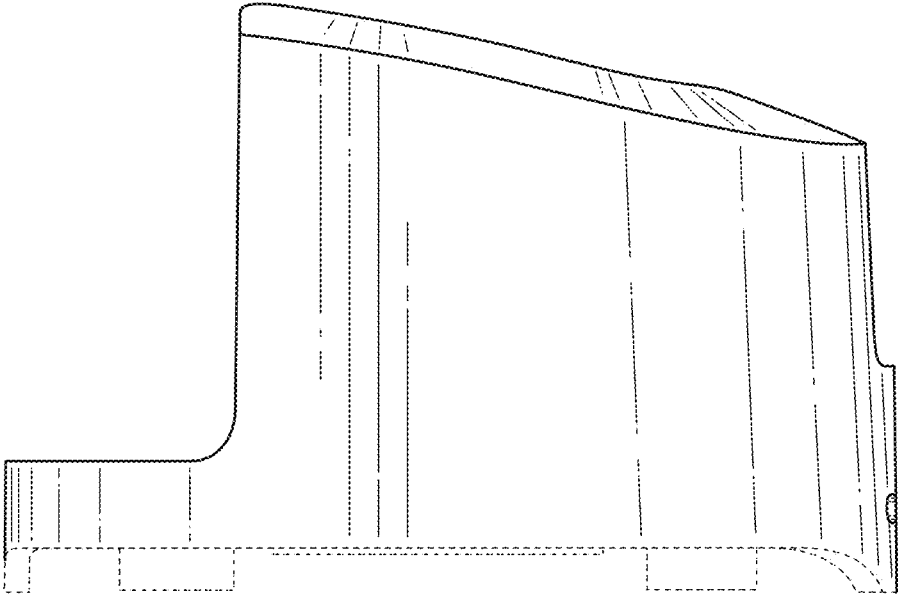


FIG. 6

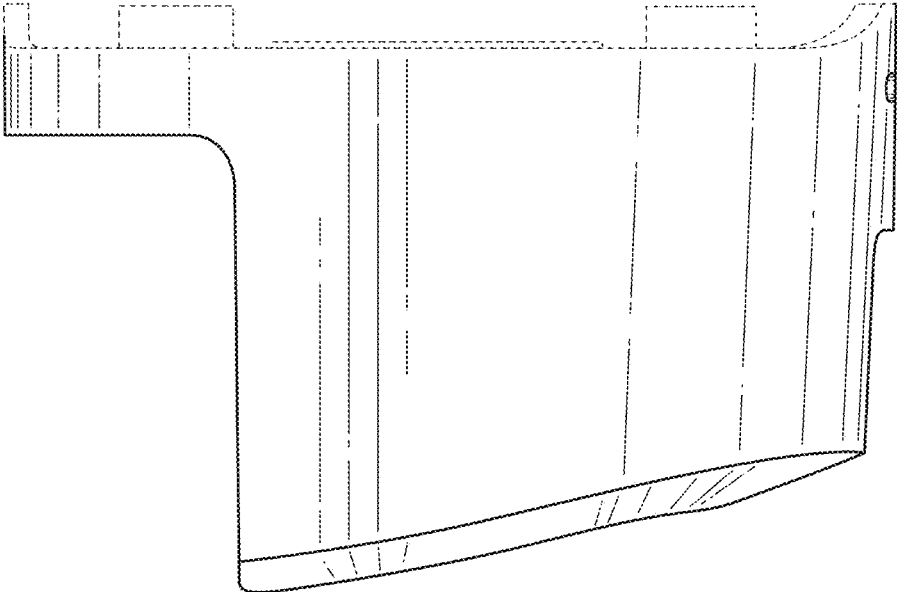


FIG. 7

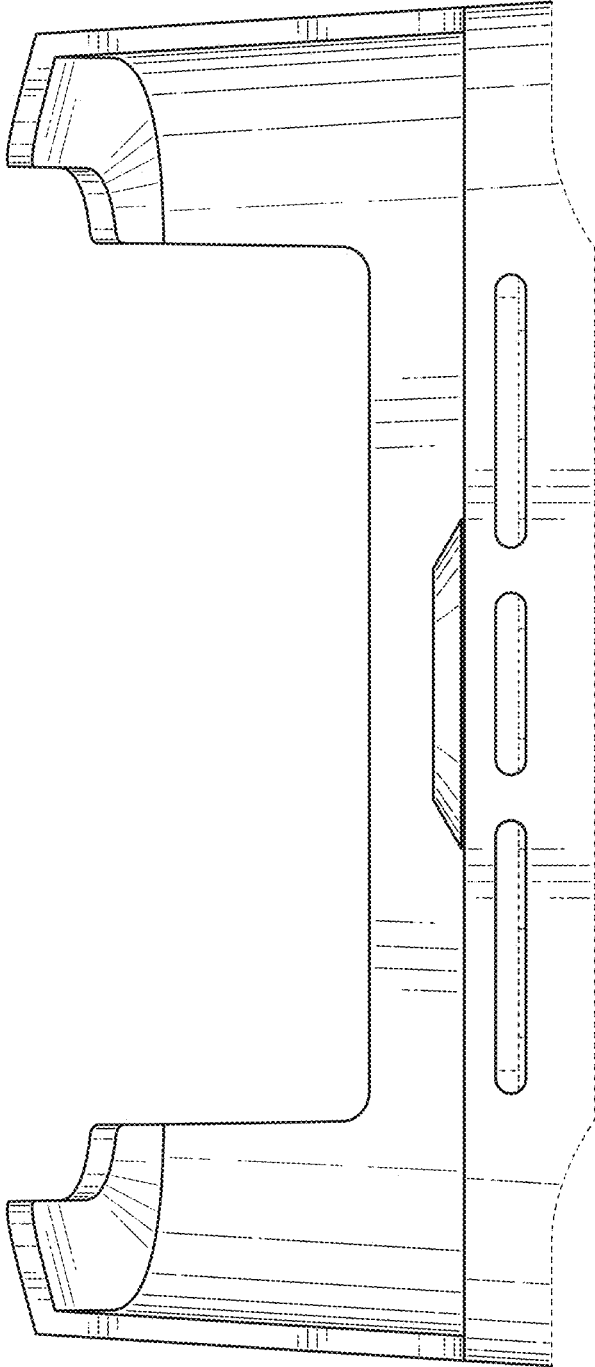


FIG. 8

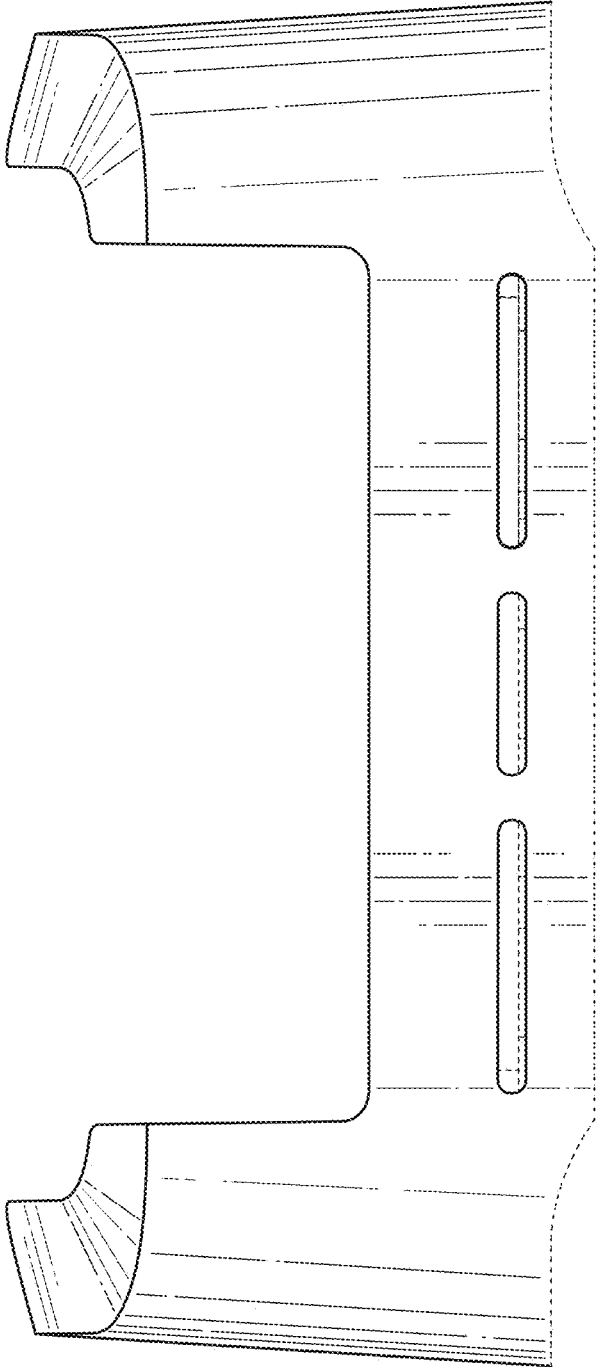


FIG. 9