



US00D654755S

(12) **United States Design Patent**
Gresko

(10) **Patent No.:** **US D654,755 S**

(45) **Date of Patent:** **** Feb. 28, 2012**

(54) **BEVERAGE MAKER**

(75) Inventor: **Jim Gresko**, Rochester, NY (US)

(73) Assignee: **Hamilton Beach Brands, Inc.**, Glen Allen, VA (US)

(**) Term: **14 Years**

(21) Appl. No.: **29/382,769**

(22) Filed: **Jan. 7, 2011**

(51) **LOC (9) Cl.** **07-01**

(52) **U.S. Cl.** **D7/307; D7/308**

(58) **Field of Classification Search** D7/306-311,
D7/300; 99/291, 307, 323.3, 293, 290, 295,
99/300

See application file for complete search history.

(56) **References Cited**

U.S. PATENT DOCUMENTS

D314,881 S *	2/1991	Wondergem et al.	D7/309
D318,973 S *	8/1991	Hasslacher	D7/308
D337,915 S	8/1993	Kahlcke	
D344,205 S *	2/1994	Saltet	D7/309
D381,237 S	7/1997	De'Longhi	
D397,904 S *	9/1998	De' Longhi	D7/309
D409,875 S *	5/1999	Alonge et al.	D7/309
5,970,848 A *	10/1999	Pelech et al.	99/291

D514,371 S *	2/2006	Yang et al.	D7/309
7,089,849 B2	8/2006	Chen et al.	
D561,516 S *	2/2008	De Pra'	D7/309
D571,598 S *	6/2008	Moore	D7/306
D584,097 S *	1/2009	Lam	D7/309
D585,691 S *	2/2009	Borin	D7/309
D622,536 S *	8/2010	Ågren et al.	D7/309
D634,963 S *	3/2011	Romandy	D7/306

* cited by examiner

Primary Examiner — Marianne Pandozzi

(74) *Attorney, Agent, or Firm* — Alexander D. Raring

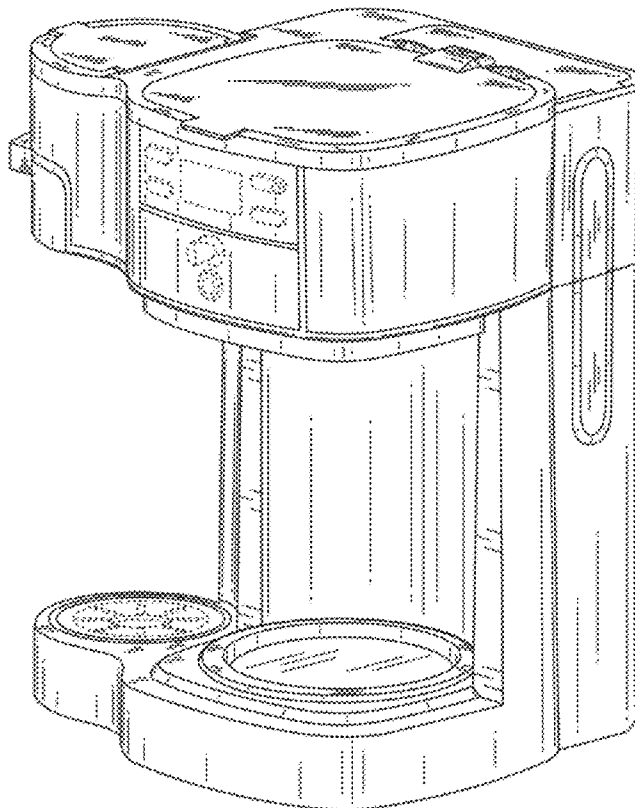
(57) **CLAIM**

The ornamental design for a beverage maker, as shown and described.

DESCRIPTION

FIG. 1 is a perspective view as seen from the top, front and right side of an beverage maker showing the new design; FIG. 2 is a front view thereof; FIG. 3 is a rear view thereof; FIG. 4 is a left side view thereof; FIG. 5 is a right side view thereof; FIG. 6 is a top view thereof; and, FIG. 7 is a bottom view thereof. The broken lines in the drawings are included for illustrative purposes only and form no part of the claimed design.

1 Claim, 7 Drawing Sheets



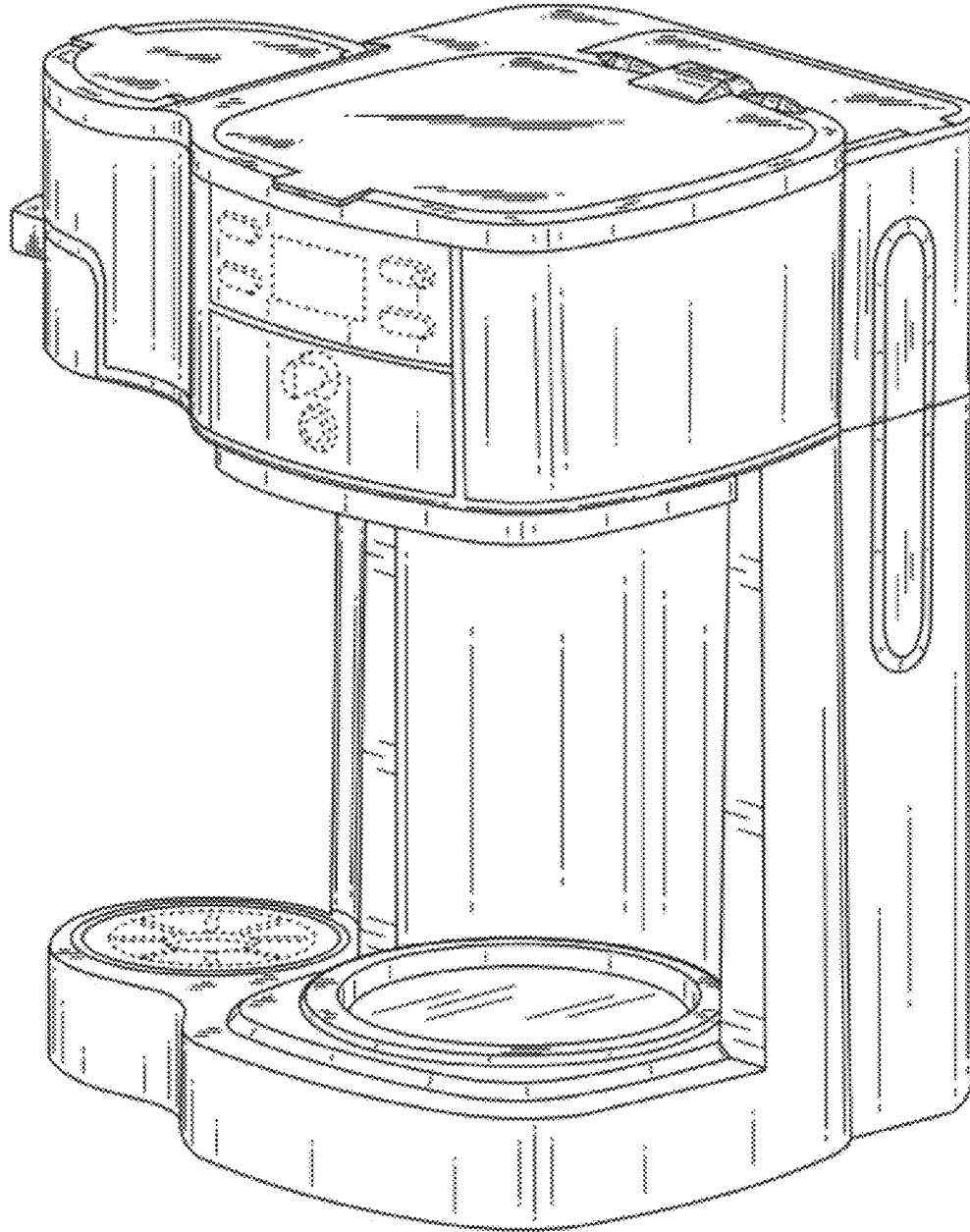


FIG. 1

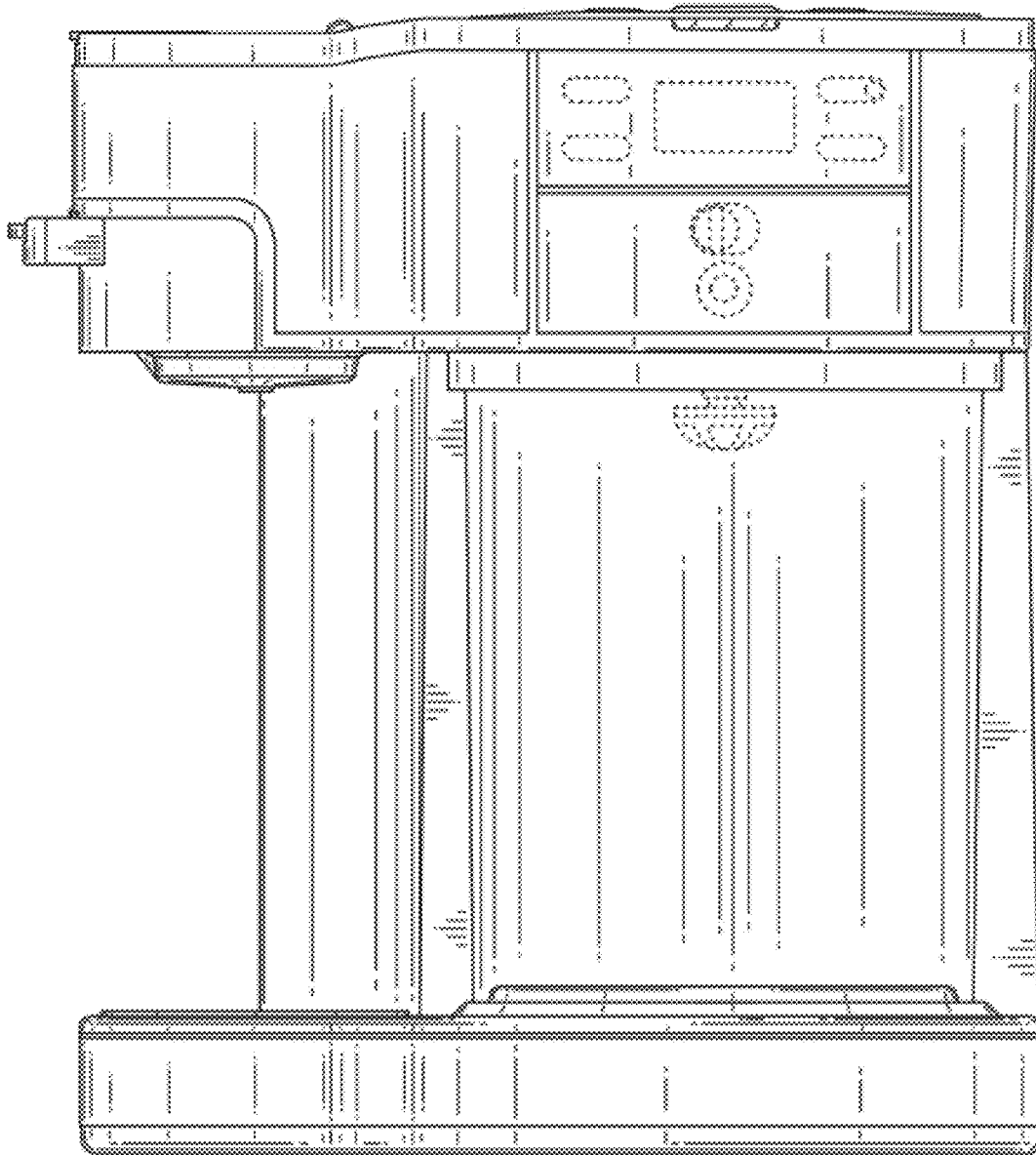


FIG. 2



FIG. 3

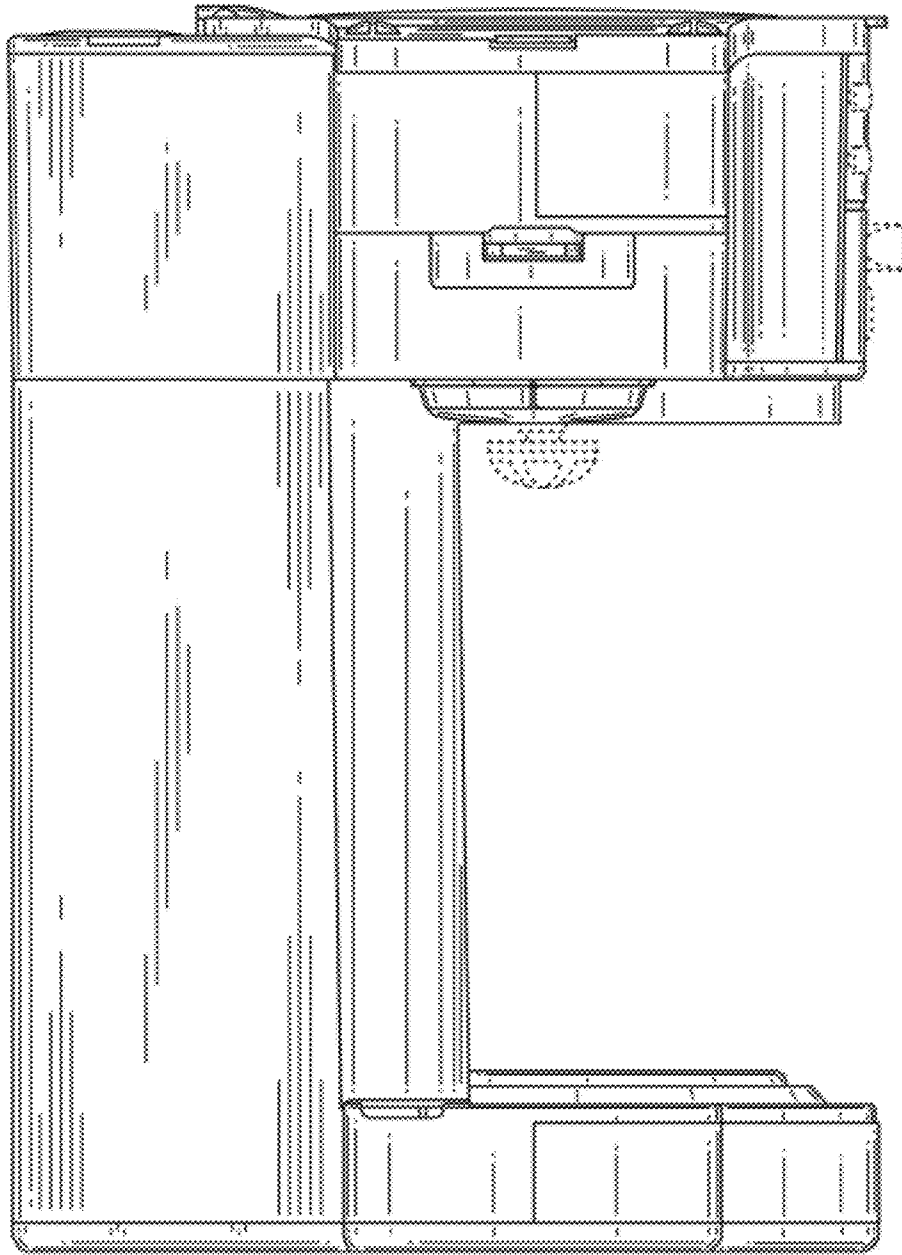


FIG. 4

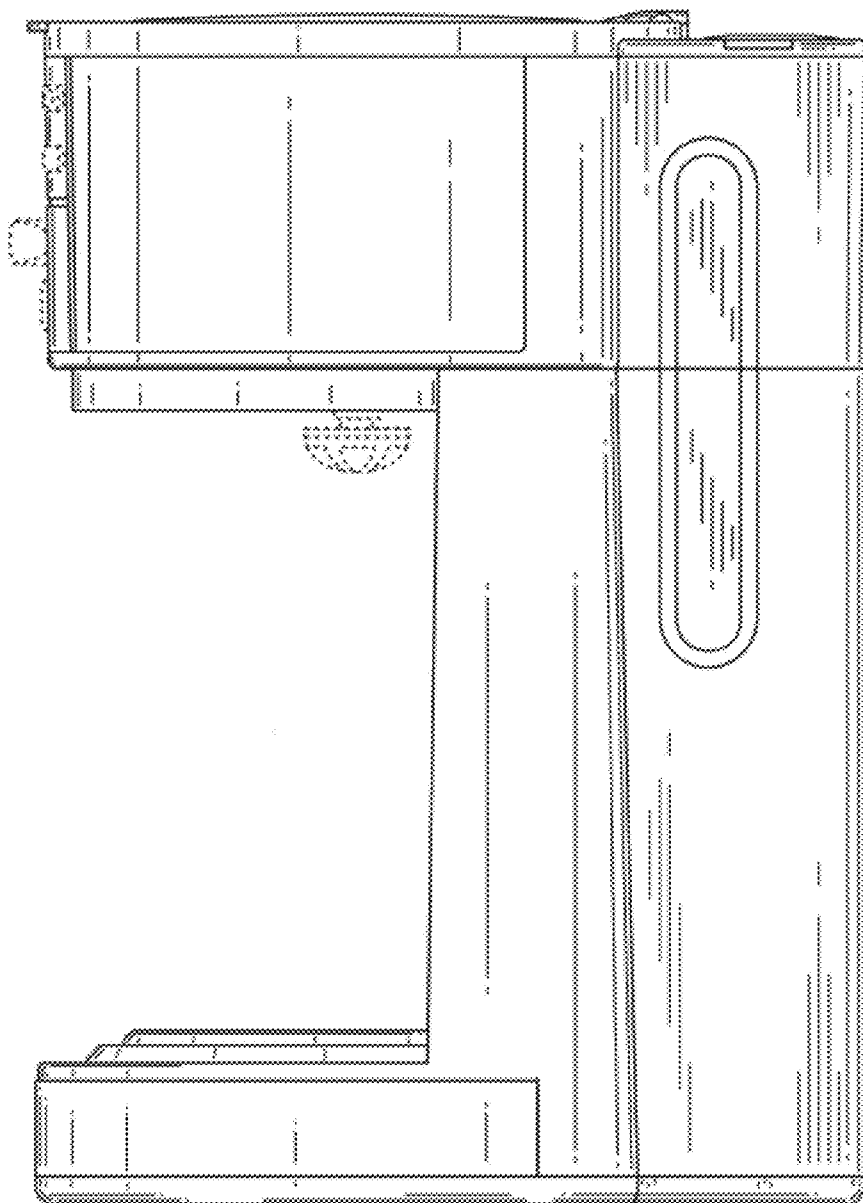


FIG. 5

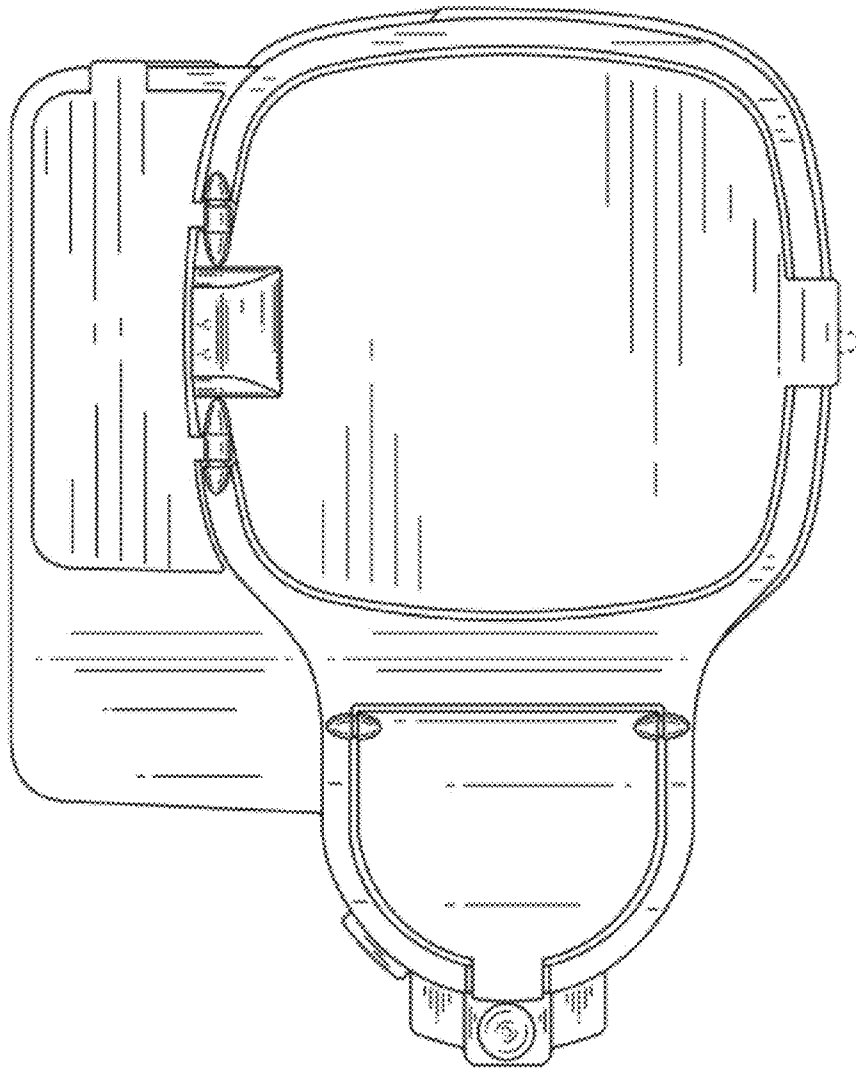


FIG. 6

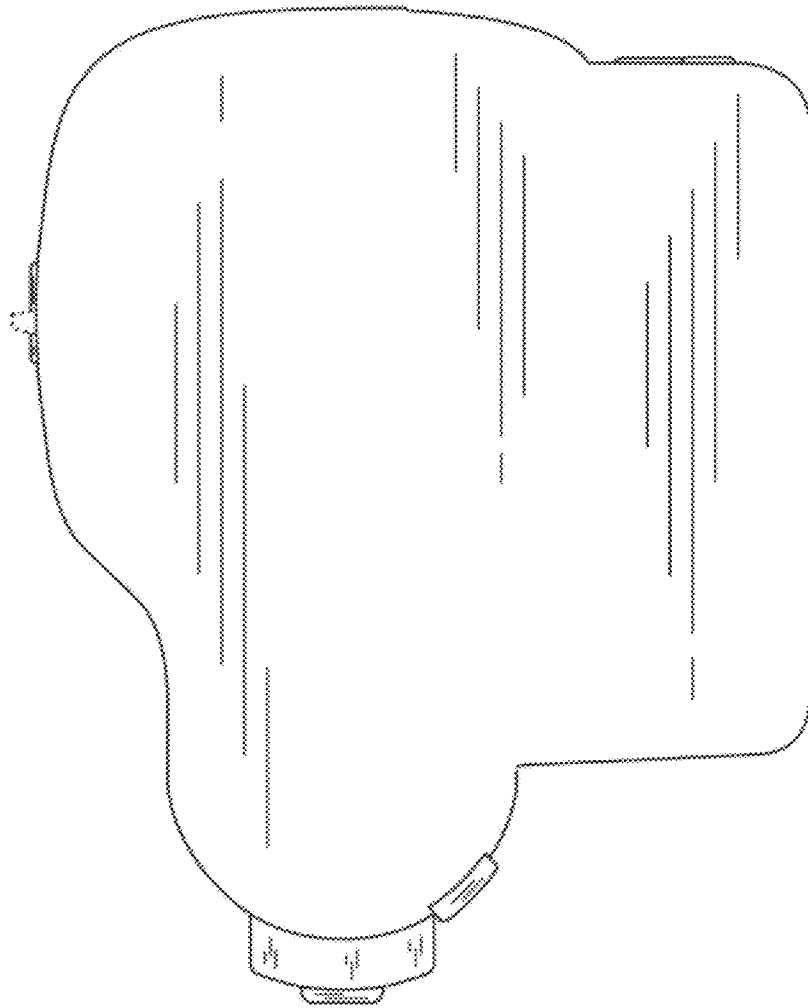


FIG. 7