



US00D573250S

(12) **United States Design Patent**
MacRae et al.

(10) **Patent No.:** **US D573,250 S**
(45) **Date of Patent:** **** Jul. 15, 2008**

(54) **IRRIGATION DEVICE**

WO 84/02655 7/1984

(75) Inventors: **John MacRae**, Carlisle (CA); **Steven Duffield**, Burlington (CA)

OTHER PUBLICATIONS
PCT International Search Report (Corrected Version) re PCT/CA03/00836, John MacRae, dated Oct. 1, 2003.
* cited by examiner

(73) Assignee: **Earigate Inc.**, Burlington, ON (CA)

Primary Examiner—Ian Simmons
Assistant Examiner—Christopher Lee

(**) Term: **14 Years**

(21) Appl. No.: **29/277,075**

(57) **CLAIM**

(22) Filed: **Feb. 13, 2007**

The ornamental design for an irrigation device, as shown and described.

(51) **LOC (8) Cl.** **24-01**

(52) **U.S. Cl.** **D24/108; D24/112**

(58) **Field of Classification Search** D24/108,
D24/111, 152, 112, 115, 121; 601/162, 165;
604/150, 275, 149, 187, 514, 36, 37, 39,
604/43, 212; 433/80, 92

See application file for complete search history.

DESCRIPTION

FIG. 1 is a perspective view of a top and a rear side of the ear irrigation device;

FIG. 2 is a side elevation view of a first side thereof;

FIG. 3 is a side elevation view of a rear side thereof;

FIG. 4 is a side elevation view of a second side thereof;

FIG. 5 is a side elevation view of a front side thereof;

FIG. 6 is a top view thereof;

FIG. 7 is a bottom view thereof;

FIG. 8 is a perspective view of an alternative embodiment of the subject invention;

FIG. 9 is a side elevation view of a first side thereof;

FIG. 10 is a side elevation view of a rear side thereof;

FIG. 11 is a side elevation view of a second side thereof;

FIG. 12 is a side elevation view of a front side thereof;

FIG. 13 is a top view thereof; and,

FIG. 14 is a bottom view thereof.

The broken lines in FIGS. 7 and 14 are for illustrative purpose only and form no part of the claimed design.

(56) **References Cited**

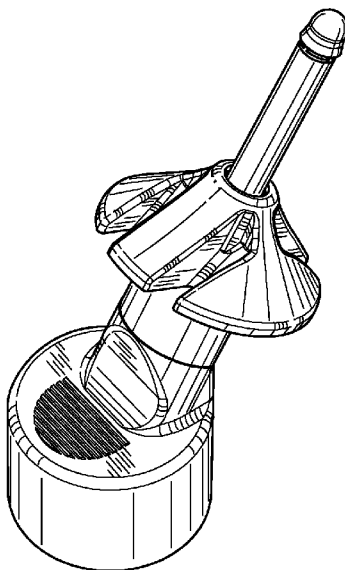
U.S. PATENT DOCUMENTS

| | | | | |
|--------------|------|---------|-----------------|---------------|
| 1,779,268 | A | 10/1930 | Belfrage et al. | |
| 2,576,766 | A | 11/1951 | Sokolik | |
| 4,206,756 | A | 6/1980 | Grossan | |
| D317,203 | S * | 5/1991 | Walsh | D24/112 |
| D340,112 | S * | 10/1993 | Zeman | D24/121 |
| 5,364,343 | A | 11/1994 | Apolet et al. | |
| D372,070 | S * | 7/1996 | Zak et al. | D23/213 |
| 6,210,358 | B1 | 4/2001 | Roger | |
| 6,706,023 | B1 * | 3/2004 | Huttner et al. | 604/264 |
| 6,949,088 | B2 * | 9/2005 | Macrae | 604/275 |
| 2007/0179450 | A1 * | 8/2007 | MacRae et al. | 604/187 |

FOREIGN PATENT DOCUMENTS

GB 2318736 5/1998

1 Claim, 4 Drawing Sheets



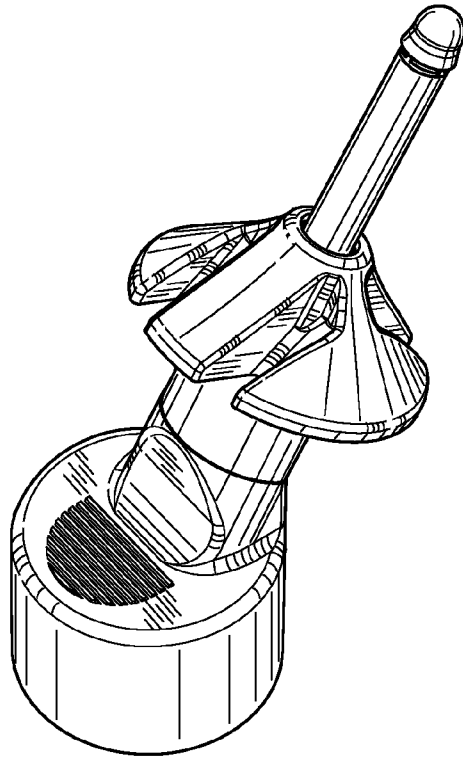


FIG. 1

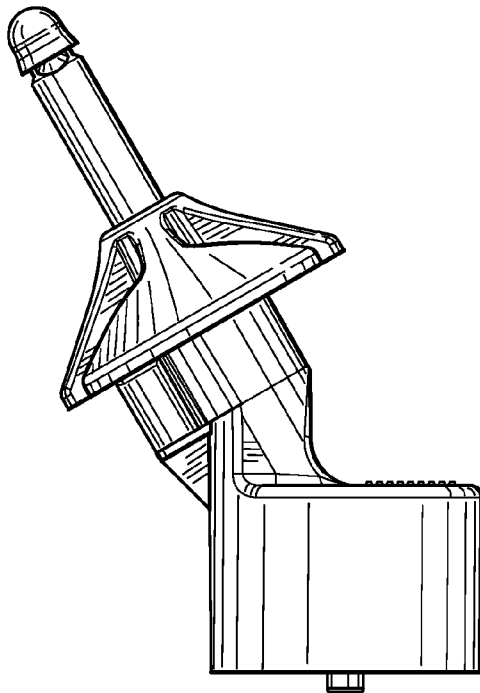


FIG. 2

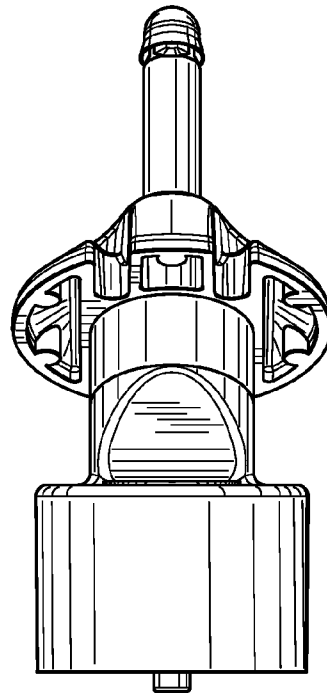


FIG. 3

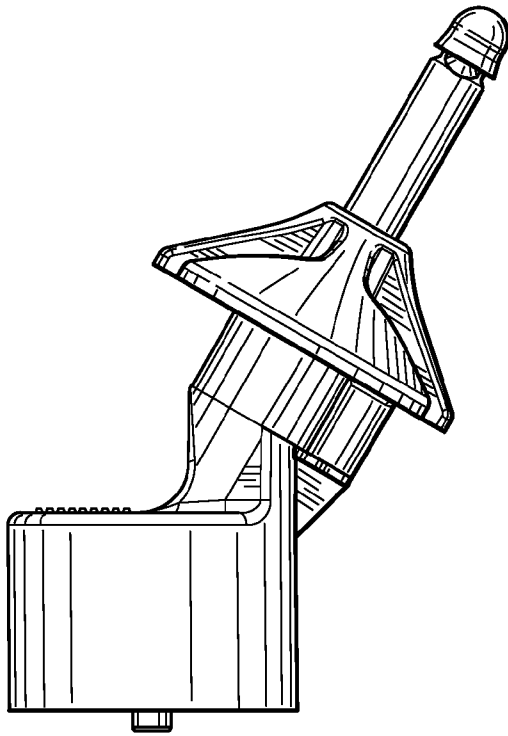


FIG. 4

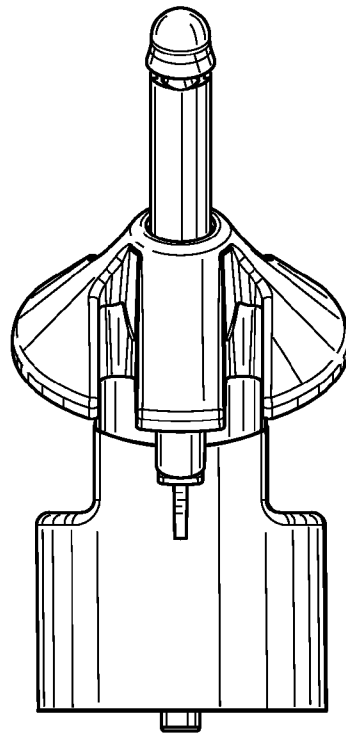


FIG. 5

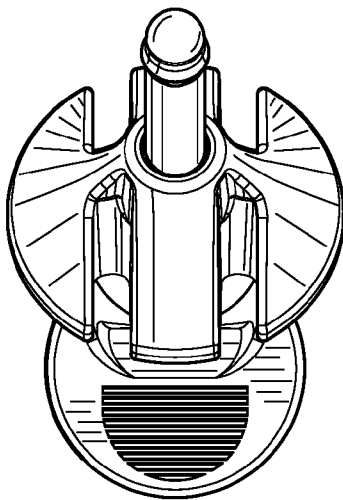


FIG. 6

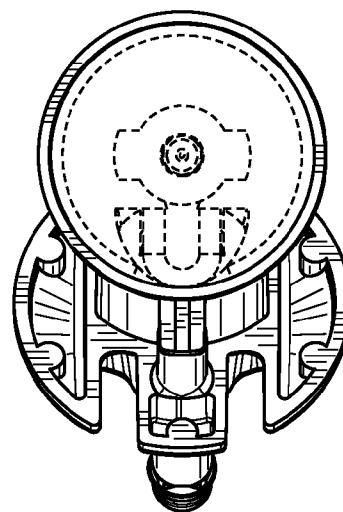


FIG. 7

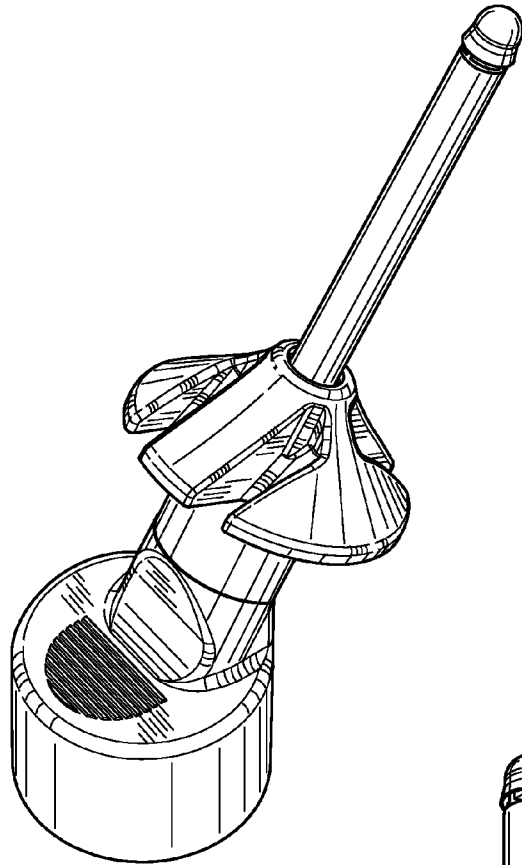


FIG. 8

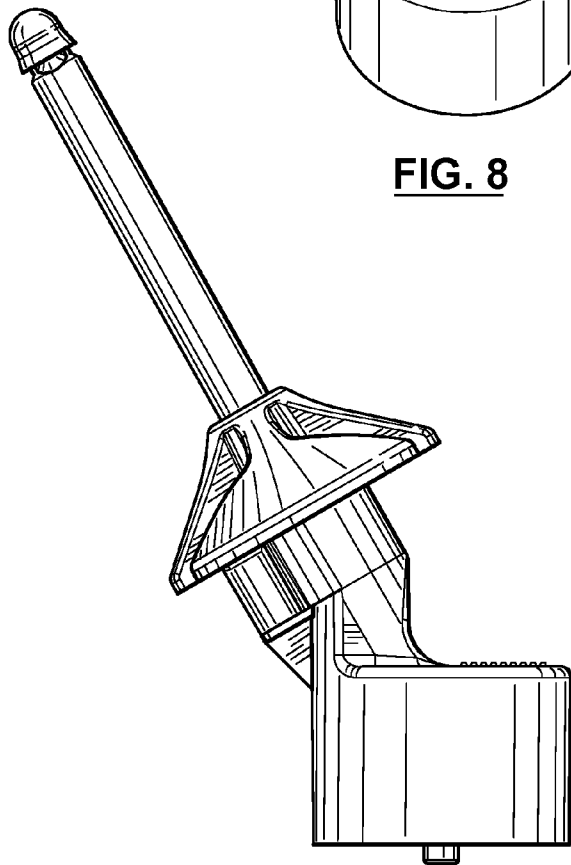


FIG. 9

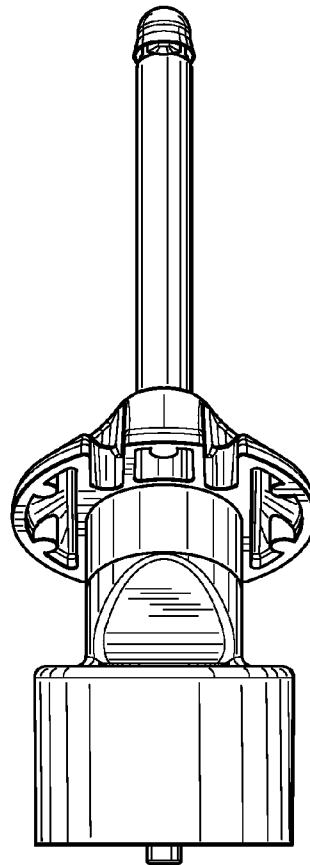


FIG. 10

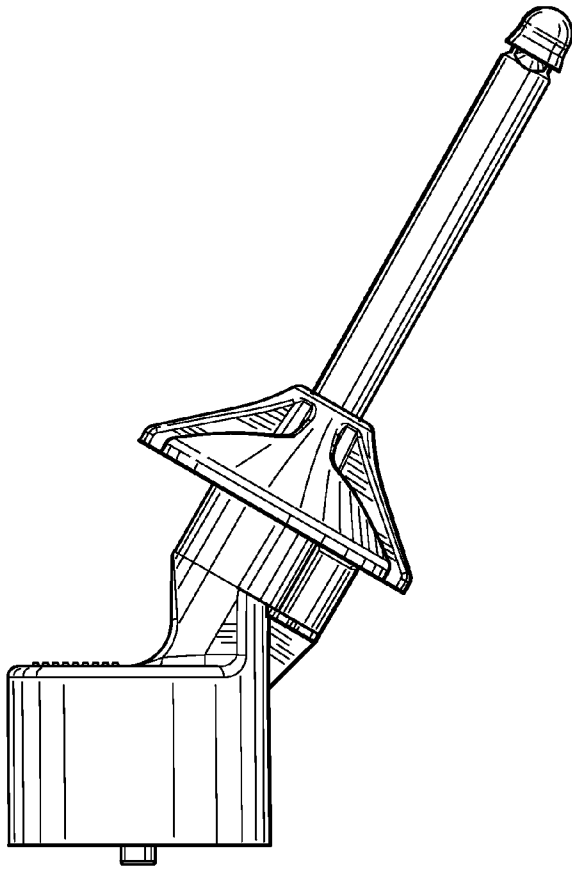


FIG. 11

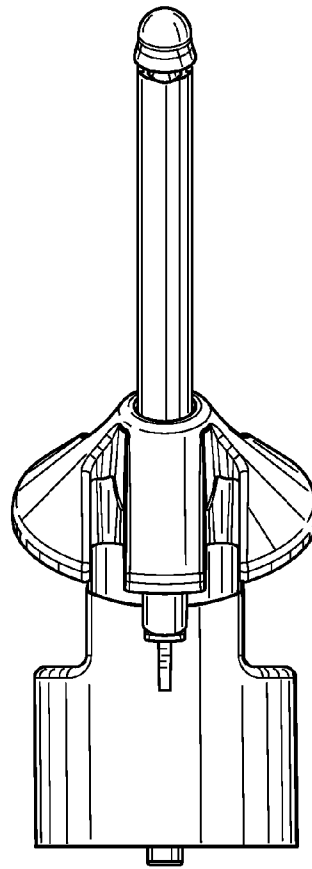


FIG. 12

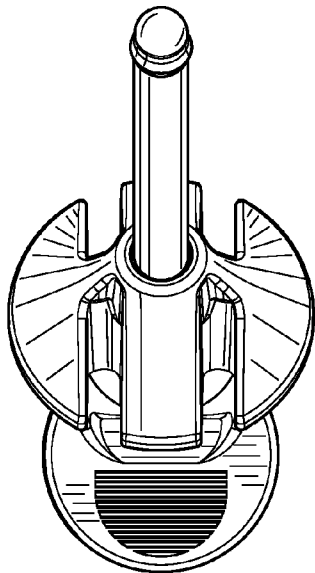


FIG. 13

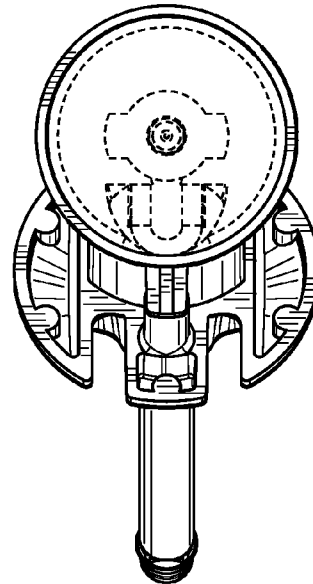


FIG. 14