



US00D791215S

(12) **United States Design Patent**
Schmidt et al.

(10) **Patent No.:** **US D791,215 S**
(45) **Date of Patent:** **** Jul. 4, 2017**

(54) **CYLINDRICAL CAMERA CHARGING BASE**

(71) Applicant: **LYVE MINDS, INC.**, Cupertino, CA (US)

(72) Inventors: **Peter O. Schmidt**, San Jose, CA (US);
Jon Norton, Menlo Park, CA (US);
David Hoenig, Cupertino, CA (US)

(73) Assignee: **LYVE MINDS, INC.**, Cupertino, CA (US)

(**) Term: **15 Years**

(21) Appl. No.: **29/528,133**

(22) Filed: **May 26, 2015**

(51) **LOC (10) Cl.** **16-05**

(52) **U.S. Cl.**
USPC **D16/242**; D16/202

(58) **Field of Classification Search**
USPC D16/200, 202–205, 208, 214, 218, 219,
D16/235, 237–250; D14/432, 434;
248/176.1, 187.1; 348/143, 148, 151,
348/373–376; 396/419, 427, 535,
396/539–541

CPC G03B 17/02
See application file for complete search history.

(56) **References Cited**

U.S. PATENT DOCUMENTS

D221,081 S *	7/1971	Kahn	D13/110
D558,208 S *	12/2007	Ikeda	D14/434
D575,289 S *	8/2008	Kuo	D14/434
D680,541 S *	4/2013	Lee	D14/217
D698,847 S *	2/2014	Tainaka	D16/219
D738,858 S *	9/2015	Tuhkanen	D14/218
D749,666 S *	2/2016	Ahdoot	D14/218
D757,014 S *	5/2016	Hahn	D13/108
D761,343 S *	7/2016	Schmidt	D16/202
D772,813 S *	11/2016	Wahl	D13/108

2003/0122698 A1*	7/2003	Horie	G06F 3/0231
				341/176
2009/0134838 A1*	5/2009	Raghuprasad	H02K 53/00
				320/108
2015/0037025 A1*	2/2015	Kim	G03B 17/02
				396/535

OTHER PUBLICATIONS

“Sphero Robotic Ball.” Found online Jan. 26, 2017 at www.thinkgeek.com. Page dated Jan. 2, 2013. Retrieved from <URL:http://web.archive.org/web/20130102144136/http://www.thinkgeek.com/product/ed94/images/12683/>.*

(Continued)

Primary Examiner — Patricia Palasik
Assistant Examiner — Katelin G Kloberg
(74) *Attorney, Agent, or Firm* — Schwegman, Lundberg & Woessner, P.A.

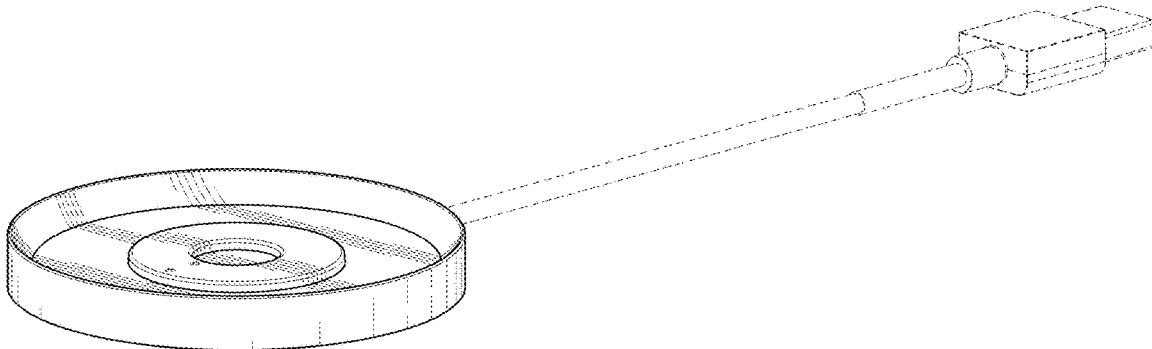
(57) **CLAIM**

The ornamental design for a cylindrical camera charging base, as shown and described.

DESCRIPTION

FIG. 1 is a top, front, left side perspective view of a cylindrical camera charging base, shown in condition of use; FIG. 2 is a top, front, left side perspective, showing my new design; FIG. 3 is a bottom, front, right side perspective view thereof; FIG. 4 is a front elevational view thereof; Monday, Jan. 30, 2017
FIG. 5 is a rear elevational view thereof;
FIG. 6 is a right side elevational view thereof;
FIG. 7 is a left side elevational view thereof;
FIG. 8 is a top plan view thereof; and,
FIG. 9 is bottom plan view thereof.
In the drawings, the broken lines depict environmental subject matter and form no part of the claimed design.

1 Claim, 5 Drawing Sheets



(56)

References Cited

OTHER PUBLICATIONS

“JBL Charge portable Bluetooth speaker—CNET.” Found online Jan. 26, 2017 at www.cnet.com. Page dated May 17, 2013. Retrieved from <URL:<https://www.cnet.com/products/jbl-charge/review/>>.*

“Round Style Wireless Charger.” Found online Jan. 26, 2017 at www.dx.com. Page dated Aug. 22, 2014. Retrieved from <URL:<http://www.dx.com/p/t200-round-style-wireless-charger-w-anti-slip-ring-black-orange-276179#.WlqBzP4zXDA>>.*

“Withings Home surveillance camera review.” Found online Jan. 26, 2017 at www.the-gadgeteer.com. Page dated Apr. 27, 2015. Retrieved from <URL:<http://the-gadgeteer.com/2015/04/27/withings-home-surveillance-camera-review/>>.*

* cited by examiner

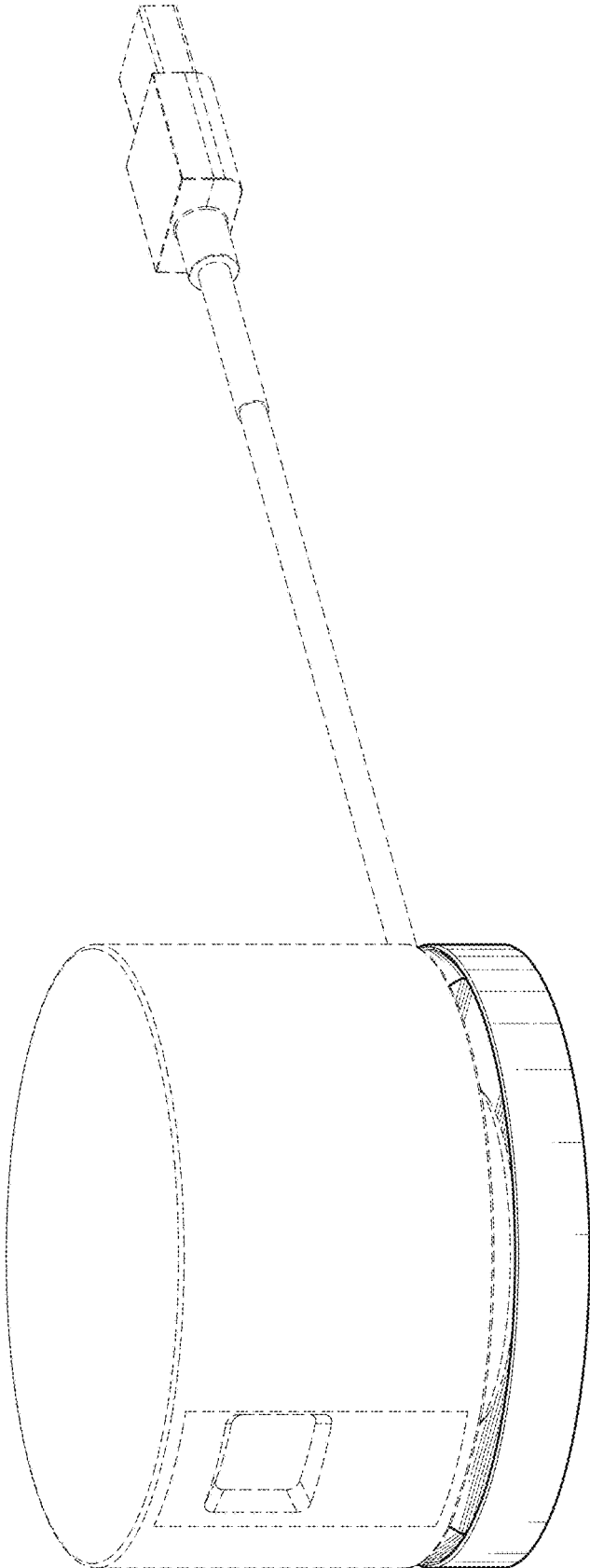


Fig. 1

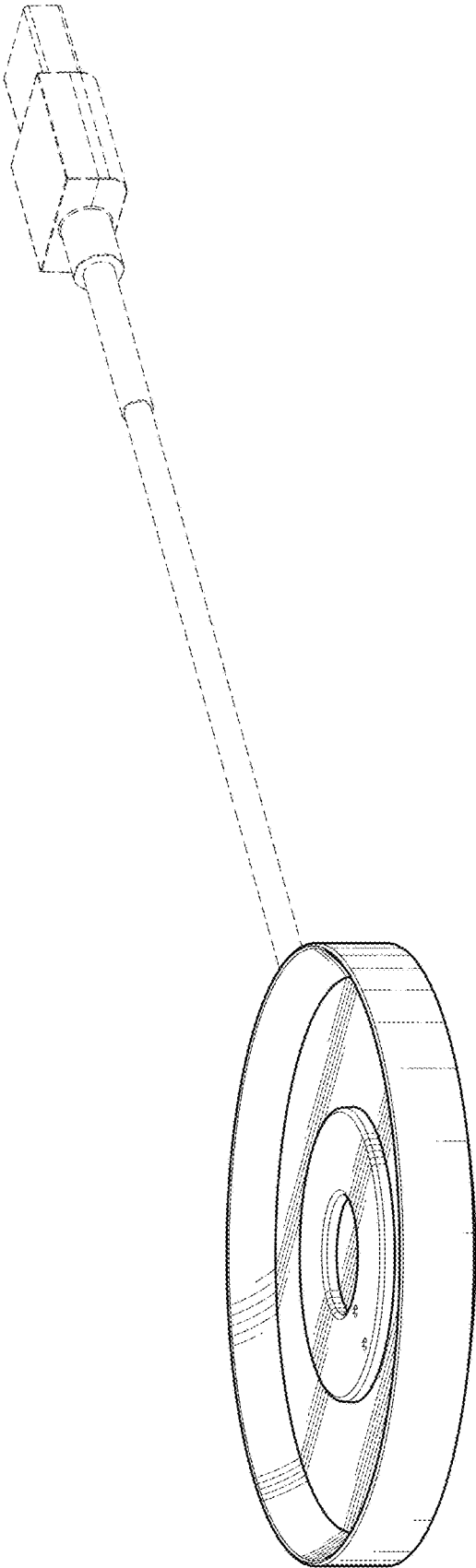


Fig. 2

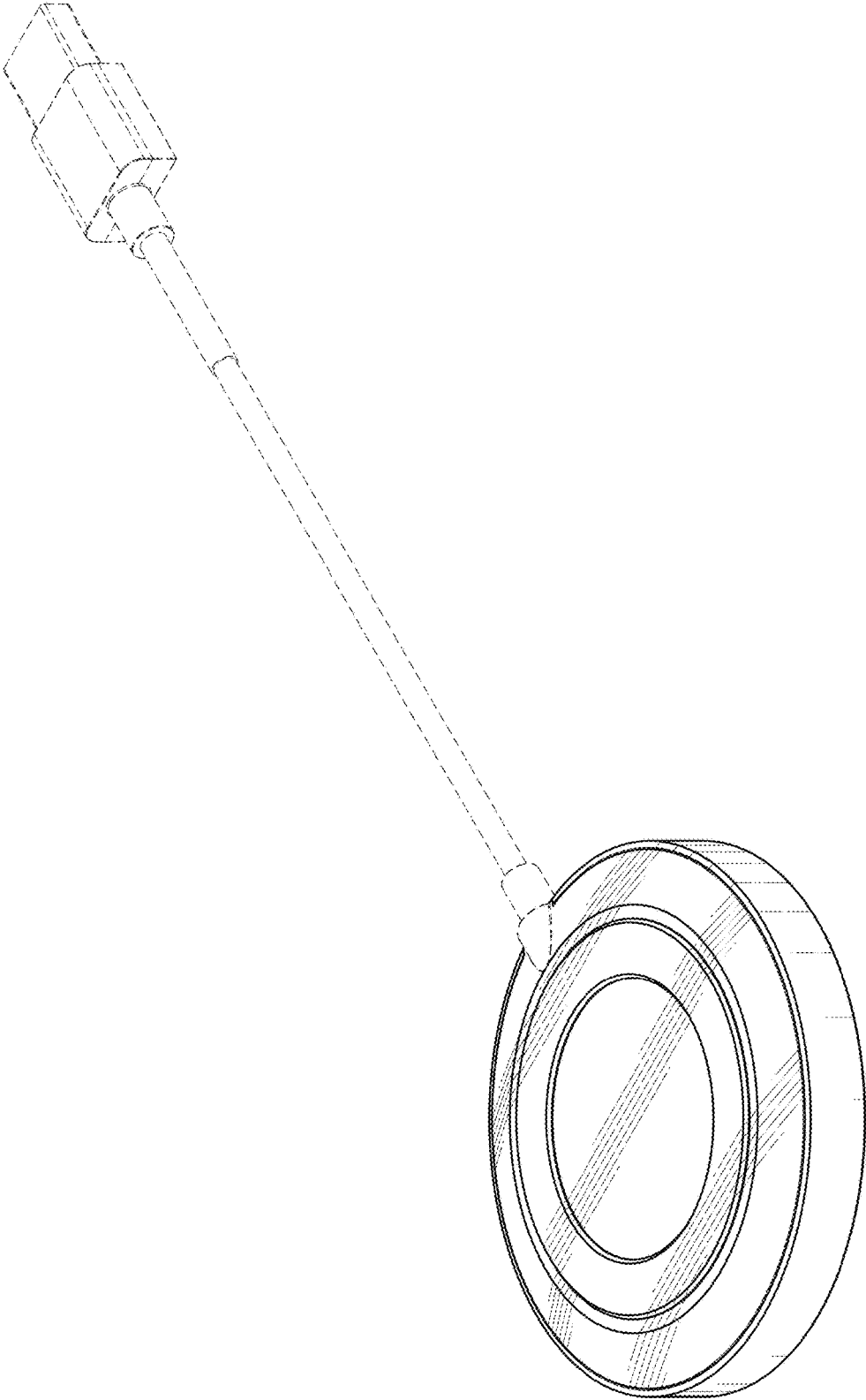


Fig. 3



Fig. 4



Fig. 5



Fig. 6

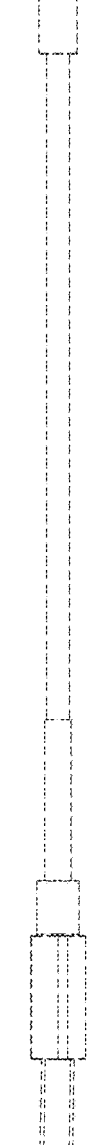
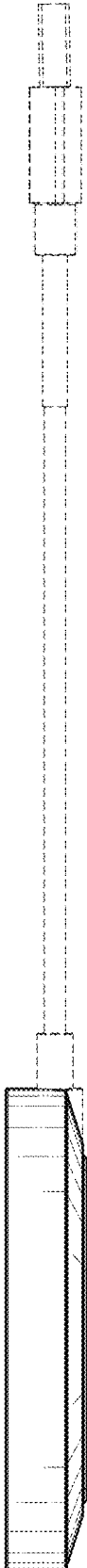


Fig. 7



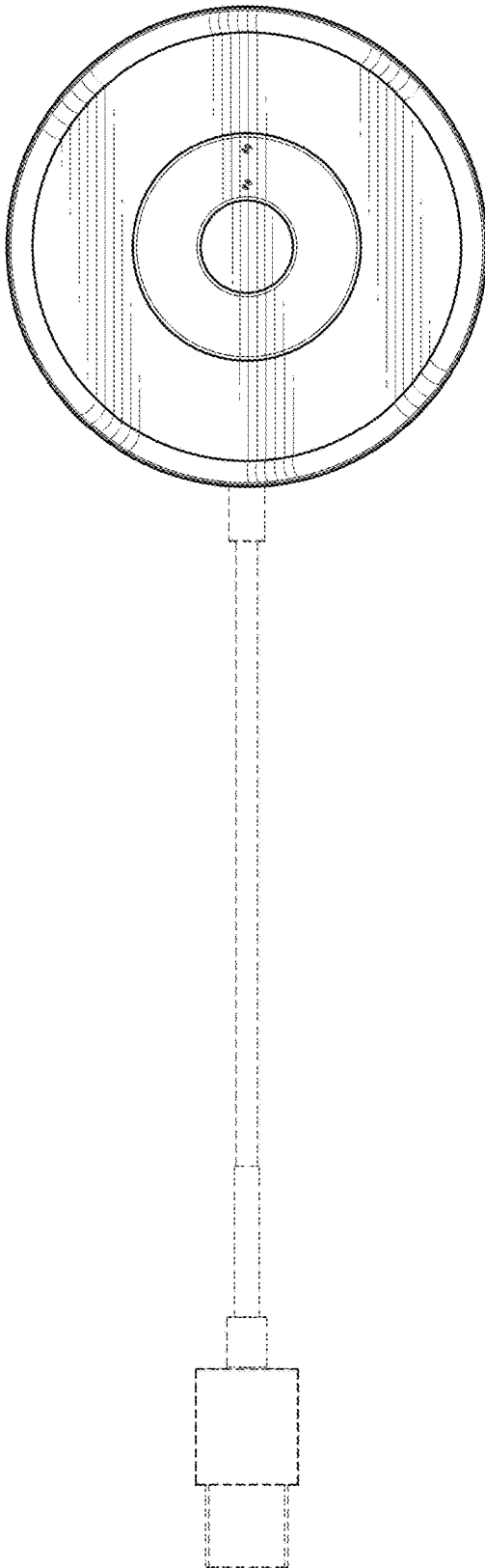


Fig. 8

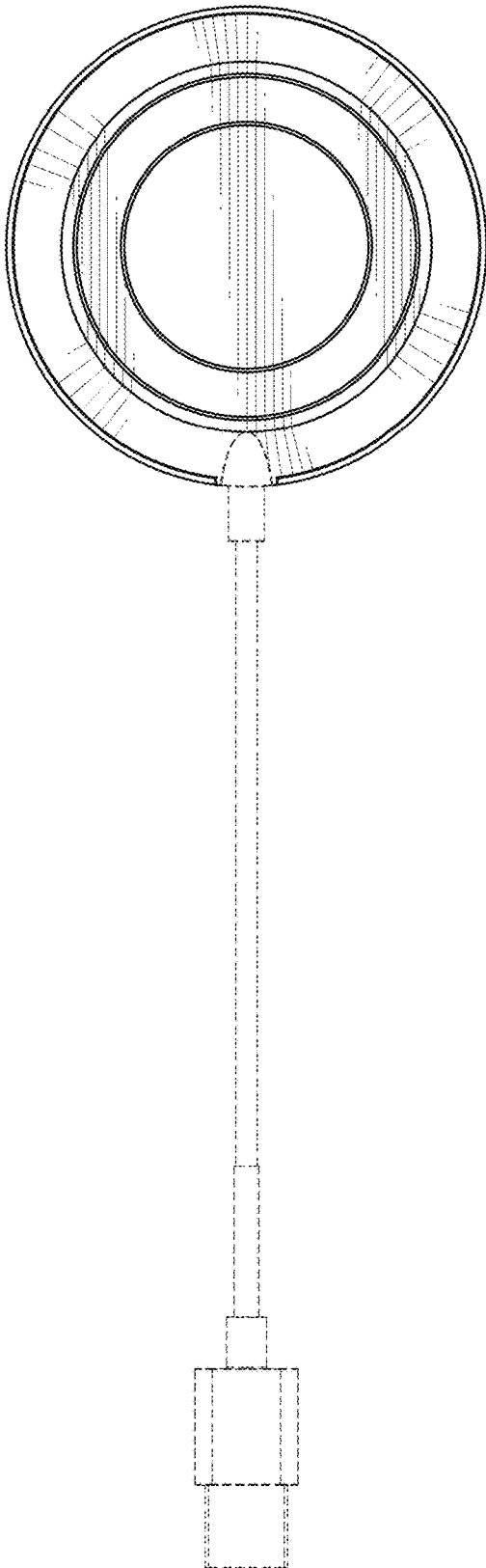


Fig. 9