



US0D1013873S

(12) **United States Design Patent**
Watkinson

(10) **Patent No.:** **US D1,013,873 S**

(45) **Date of Patent:** **** Feb. 6, 2024**

(54) **PROPHY ANGLE BODY**
(71) Applicant: **Young Dental Manufacturing I, LLC,**
Earth City, MO (US)

4,486,175 A 12/1984 Fisher et al.
4,544,356 A 10/1985 Gardella et al.
4,604,058 A 8/1986 Fisher et al.

(Continued)

(72) Inventor: **Chevis Watkinson,** Appleton, WI (US)

OTHER PUBLICATIONS

(73) Assignee: **Young Dental Manufacturing I, LLC,**
Earth City, MO (US)

Nupro® Freedom® Prophy Angles. Retrieved on Aug. 23, 2023.
Retrieved from the Internet: <URL: <https://www.purelifedental.com/nupro-freedom-prophy-angles.html>>.*

(Continued)

(**) Term: **15 Years**

Primary Examiner — Wan Laymon

(21) Appl. No.: **29/843,102**

(74) *Attorney, Agent, or Firm* — McDermott Will and Emery LLP

(22) Filed: **Jun. 17, 2022**

(51) **LOC (14) Cl.** **24-02**

(52) **U.S. Cl.** **D24/176**
USPC

(58) **Field of Classification Search**
USPC D24/152, 176–180
CPC A61C 17/005; A61C 17/16; A61C 1/12
See application file for complete search history.

(57) **CLAIM**

The ornamental design for a prophy angle body, as shown and described.

DESCRIPTION

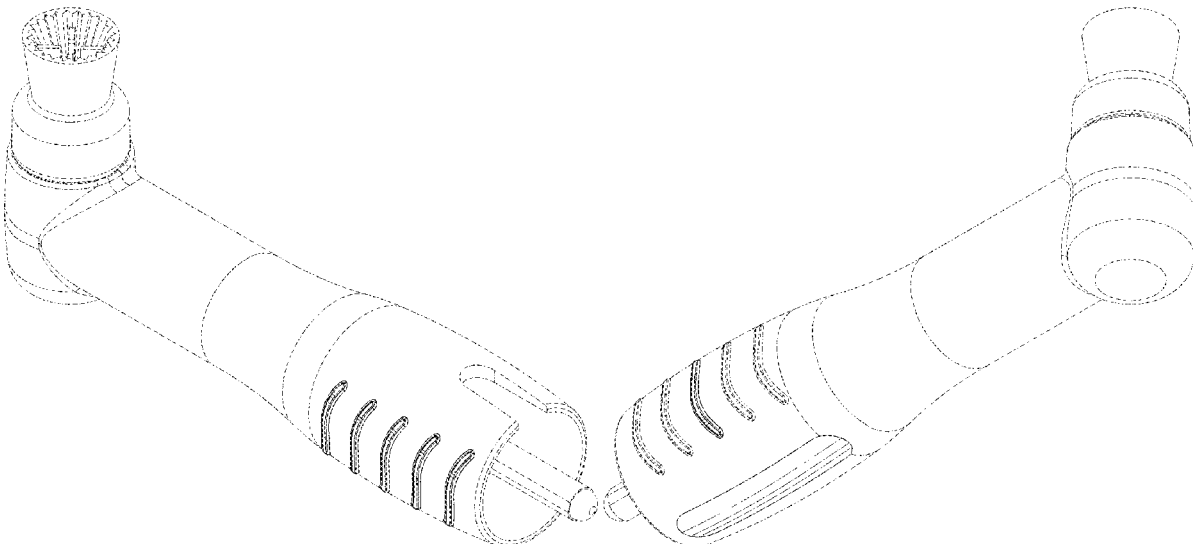
FIG. 1 is a perspective view of a prophy angle body;
FIG. 2 is another perspective view thereof;
FIG. 3 is a left side view thereof;
FIG. 4 is a right side view thereof;
FIG. 5 is a top view thereof;
FIG. 6 is a bottom view thereof;
FIG. 7 is a front view thereof;
FIG. 8 is a back view thereof;
FIG. 9 is a perspective view of a prophy angle body in another example of the design;
FIG. 10 is another perspective view thereof;
FIG. 11 is a left side view thereof;
FIG. 12 is a right side view thereof;
FIG. 13 is a top view thereof;
FIG. 14 is a bottom view thereof;
FIG. 15 is a front view thereof; and,
FIG. 16 is a back view thereof.
The broken lines represent unclaimed subject matter and form no part of the claimed design.

(56) **References Cited**

U.S. PATENT DOCUMENTS

2,943,343 A	7/1960	Jankelson
3,389,468 A	6/1968	Lewis et al.
3,407,502 A	10/1968	Richmond
3,436,830 A	4/1969	Richmond
3,478,433 A	11/1969	Richmond
3,691,636 A	9/1972	Deuschle
3,707,042 A	12/1972	Talaga
3,727,313 A	4/1973	Graham
3,727,315 A	4/1973	Spinello
3,740,853 A	6/1973	Brahler
3,798,777 A	3/1974	Reiter
3,848,336 A	11/1974	Copeland
4,182,041 A	1/1980	Girard
4,266,933 A	5/1981	Warden et al.
D269,122 S	5/1983	Seeley
4,424,036 A	1/1984	Lokken
4,432,729 A	2/1984	Fattaleh

1 Claim, 12 Drawing Sheets



(56)

References Cited

U.S. PATENT DOCUMENTS

4,842,516	A	6/1989	Choisser	8,459,992	B2	6/2013	Carron et al.	
5,007,832	A	4/1991	Meller et al.	8,597,022	B2	12/2013	Carron et al.	
5,020,994	A	6/1991	Huang	8,725,096	B2	5/2014	Lint et al.	
5,028,233	A	7/1991	Witherby	8,727,771	B2	5/2014	Stadeker	
5,040,978	A	8/1991	Falcon et al.	8,777,615	B2	7/2014	Hayman	
D323,395	S	1/1992	Meller	8,777,616	B2	7/2014	Chronister et al.	
5,120,220	A	6/1992	Butler	8,784,102	B1	7/2014	Kumar	
5,156,547	A	10/1992	Bailey	8,814,566	B2	8/2014	Carron et al.	
5,160,263	A	11/1992	Meller	9,144,471	B2	9/2015	Carron et al.	
5,178,538	A	1/1993	Eckert	D743,037	S	11/2015	Gonzalez et al.	
5,209,658	A	5/1993	Brahler	9,398,938	B2*	7/2016	Rek	A61C 1/12
5,219,285	A	6/1993	Meller et al.	9,642,683	B2	5/2017	Shah	
5,224,859	A	7/1993	Kraenzle	9,655,701	B2	5/2017	Yao et al.	
5,328,369	A	7/1994	Bailey	9,730,766	B2	8/2017	Carron et al.	
5,334,020	A	8/1994	Eckert	9,737,375	B2	8/2017	Carron et al.	
5,352,119	A	10/1994	Sakurai	RE46,696	E	2/2018	Kumar	
5,380,202	A	1/1995	Brahler	9,962,236	B1	5/2018	Kumar et al.	
5,423,679	A	6/1995	Bailey	10,092,382	B2	10/2018	Wang et al.	
RE34,997	E	7/1995	Kraenzle	D839,436	S	1/2019	Prange	
5,433,605	A	7/1995	Strobl, Jr.	10,226,310	B2	3/2019	Feldman	
5,482,461	A	1/1996	Yale	10,245,120	B2	4/2019	Prange	
5,496,218	A	3/1996	Brahler	10,285,776	B1	5/2019	Feldman	
5,498,159	A	3/1996	Coss	D867,761	S	11/2019	Bloch et al.	
D368,523	S	4/1996	Mendoza	10,631,963	B1	4/2020	Kumar	
D368,964	S	4/1996	Mendoza	10,765,491	B2	9/2020	Carron	
5,503,555	A	4/1996	Bailey	11,033,096	B2	6/2021	Bloch et al.	
5,507,644	A	4/1996	Kivlighan, Jr.	2002/0157680	A1	10/2002	Postal et al.	
D371,199	S	6/1996	Mendoza	2002/0192618	A1	12/2002	Loddeke et al.	
5,529,495	A	6/1996	Edwards	2006/0008769	A1	1/2006	Schatz	
5,531,599	A	7/1996	Bailey	2006/0046227	A1	3/2006	Shen et al.	
5,571,012	A	11/1996	Witherby et al.	2006/0121414	A1	6/2006	Euvrard et al.	
D376,422	S	12/1996	Bailey	2006/0210948	A1	9/2006	Rose et al.	
5,584,690	A	12/1996	Maassarani	2006/0292522	A1	12/2006	Downey	
5,642,995	A	7/1997	Bailey	2007/0026361	A1	2/2007	Carron et al.	
5,647,745	A	7/1997	Badoz	2008/0064007	A1	3/2008	Carron et al.	
5,667,383	A	9/1997	Mendoza et al.	2008/0311541	A1	12/2008	Carron et al.	
5,683,247	A	11/1997	Bailey	2009/0081609	A1	3/2009	Kalbfeld et al.	
5,690,488	A	11/1997	Spinello	2009/0081610	A1	3/2009	Hayman	
5,692,901	A	12/1997	Roth et al.	2009/0162811	A1	6/2009	Chronister et al.	
5,730,595	A	3/1998	Bailey	2009/0220910	A1*	9/2009	Wang	A61C 17/005 433/125
5,749,728	A	5/1998	Bailey	2010/0035205	A1	2/2010	Wang	
5,871,353	A	2/1999	Pierce et al.	2010/0196845	A1	8/2010	Carron et al.	
5,876,203	A	3/1999	Bailey	2010/0196847	A1	8/2010	Carron et al.	
D411,726	S	6/1999	Novak	2011/0045434	A1	2/2011	Stadeker	
5,911,577	A	6/1999	Henrikson	2011/0065063	A1	3/2011	Bock	
D413,384	S	8/1999	Hanley et al.	2011/0081624	A1	4/2011	Chronister et al.	
D413,385	S	8/1999	Hanley et al.	2011/0244420	A1	10/2011	Chronister et al.	
5,931,672	A	8/1999	Postal et al.	2011/0275327	A1	11/2011	Lint et al.	
5,964,590	A	10/1999	Loddeke et al.	2011/0306010	A1	12/2011	Chronister et al.	
6,012,922	A	1/2000	Novak	2012/0156643	A1	6/2012	Carron et al.	
6,053,732	A	4/2000	Sale	2013/0130198	A1	5/2013	Carron et al.	
D427,311	S	6/2000	Henrikson	2015/0079540	A1*	3/2015	Rek	A61C 1/12 433/125
6,083,000	A	7/2000	Charlton	2015/0272712	A1	10/2015	Shah	
6,089,866	A	7/2000	Brahler	2015/0359606	A1	12/2015	Carron et al.	
6,099,309	A	8/2000	Cardarelli	2016/0193022	A1	7/2016	Yao et al.	
6,168,433	B1	1/2001	Hamlin	2016/0361136	A1	12/2016	Carron	
6,203,322	B1	3/2001	Kraenzle	2017/0202652	A1	7/2017	Wang et al.	
6,247,931	B1	6/2001	Postal et al.	2017/0312050	A1	11/2017	Carron	
6,315,559	B1	11/2001	Nakanishi	2017/0319291	A1	11/2017	Carron et al.	
6,409,507	B1	6/2002	Postal et al.	2018/0147025	A1	5/2018	Chronister et al.	
6,527,552	B2	3/2003	Loddeke et al.	2018/0228573	A1	8/2018	Prange	
6,848,451	B2	2/2005	Postal et al.	2018/0271617	A1	9/2018	Feldman	
7,104,796	B1	9/2006	Chia	2019/0174906	A1	6/2019	Bloch et al.	
7,153,133	B1	12/2006	Chia	2019/0321151	A1	10/2019	Rader et al.	
7,255,559	B2*	8/2007	Shen	2020/0008912	A1	1/2020	Jensen	
			A61C 17/005	2021/0077239	A1	3/2021	Shen	
			433/125	2021/0389182	A1	12/2021	Kucharczyk et al.	
D575,402	S	8/2008	Sandor	2023/0013866	A1*	1/2023	Wang	A61C 17/005
7,422,433	B2	9/2008	Carron et al.					
7,510,396	B2*	3/2009	Lee					
			A61C 17/005					
			433/125					
7,556,498	B2	7/2009	Schatz					
7,771,198	B2	8/2010	Euvrard et al.					
7,955,079	B2	6/2011	Chronister et al.					
8,123,523	B2	2/2012	Carron et al.					
8,360,774	B2	1/2013	Carron et al.					

OTHER PUBLICATIONS

Vera by Young Propy Angle with Classic Petite Web Cup, Soft

125/Bx. Compact. Retrieved on Aug. 23, 2023. Retrieved from the

(56)

References Cited

OTHER PUBLICATIONS

Internet: <URL: https://www.net32.com/ec/vera-young-prophy-angle-classic-petite-web-d-136034?utm_source=>>.*

* cited by examiner

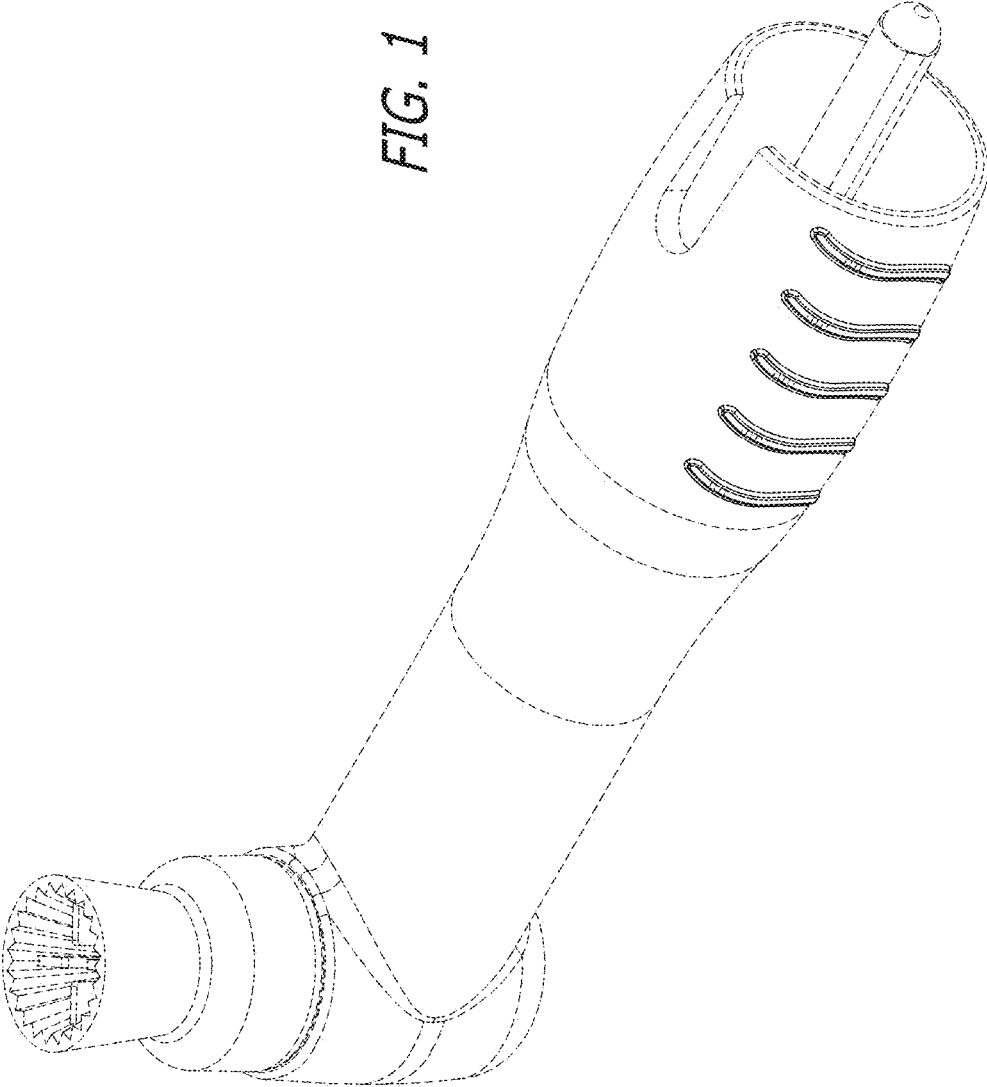


FIG. 1

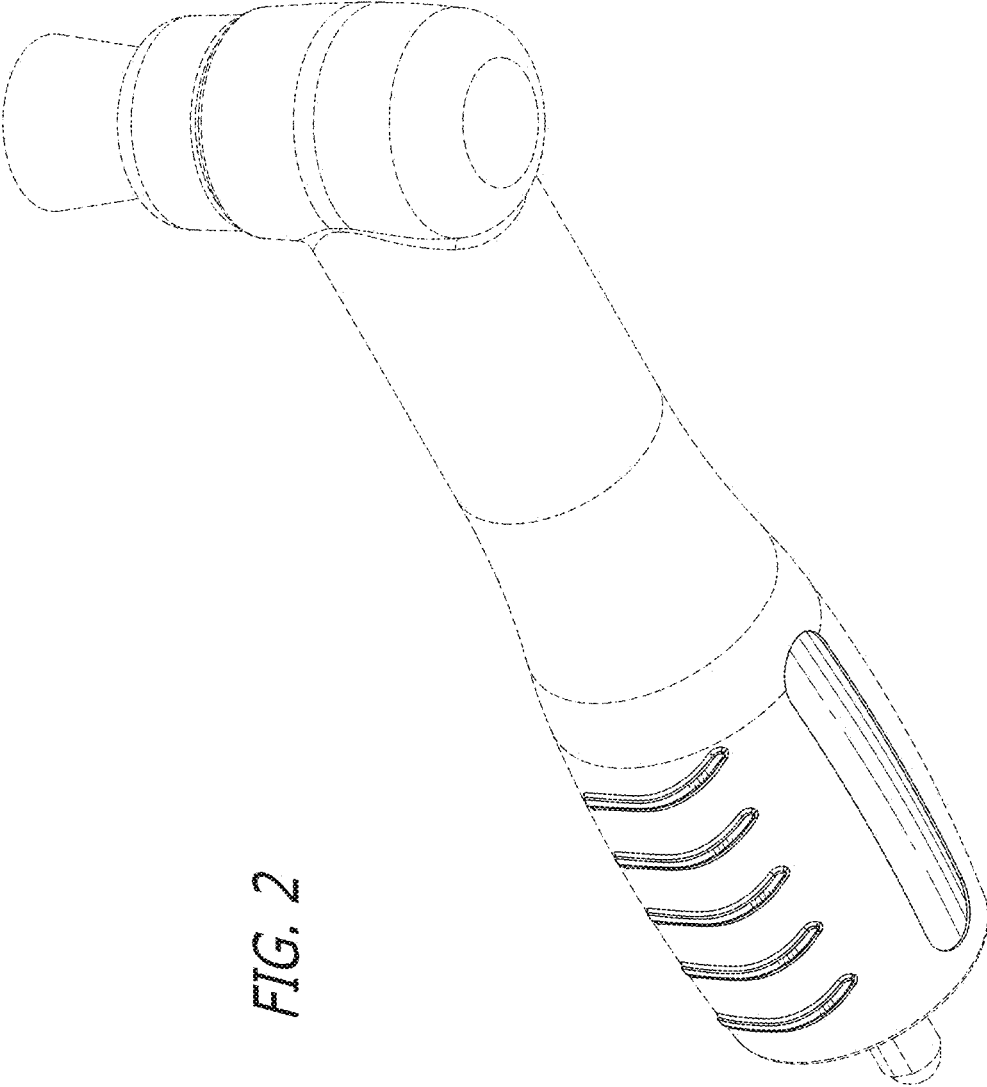


FIG. 2

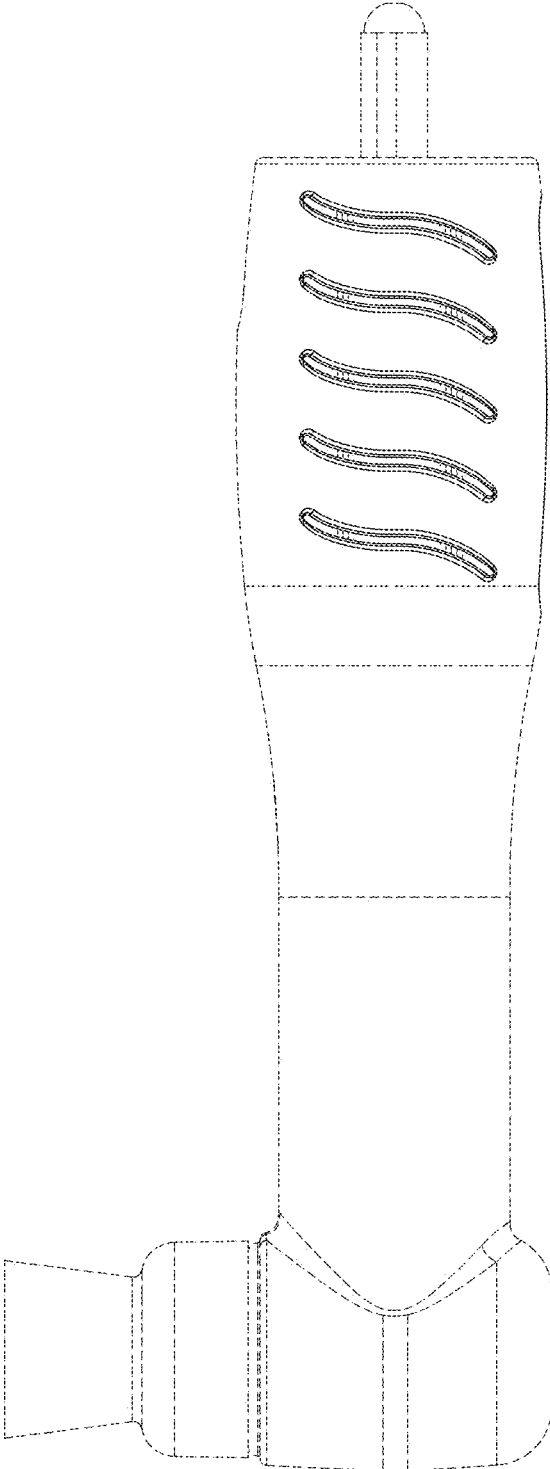


FIG. 3

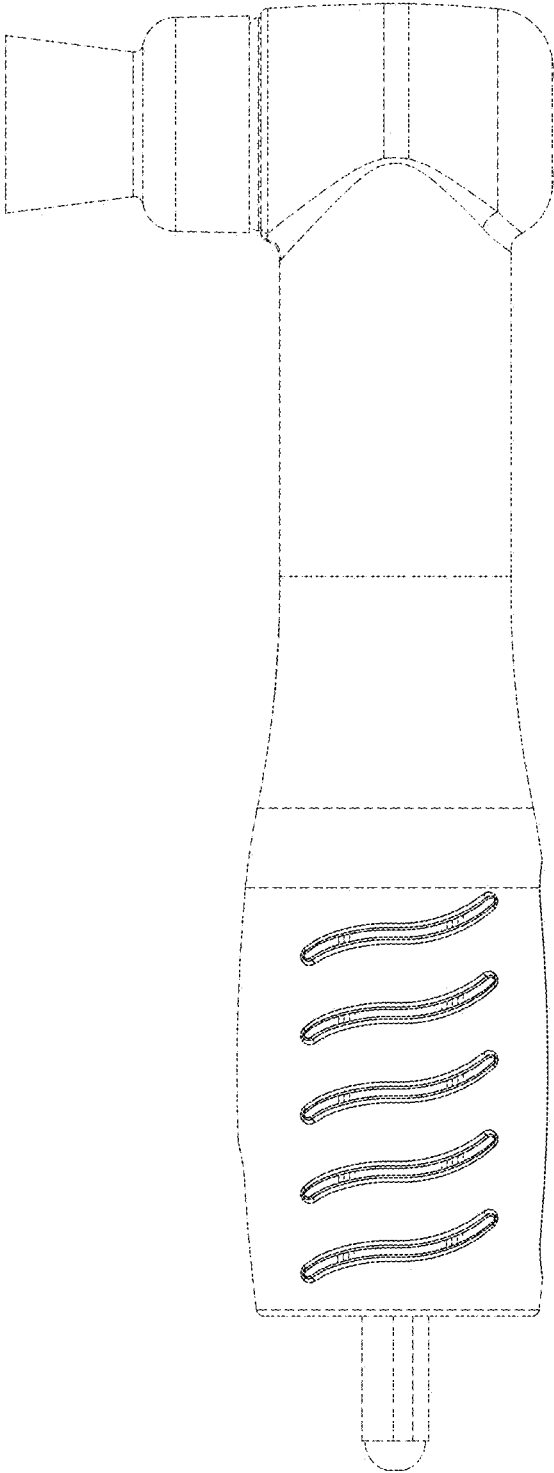


FIG. 4

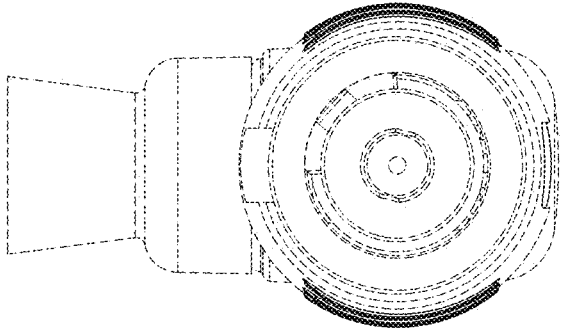


FIG. 6

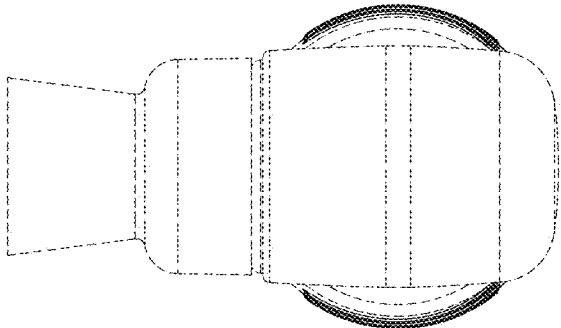


FIG. 5

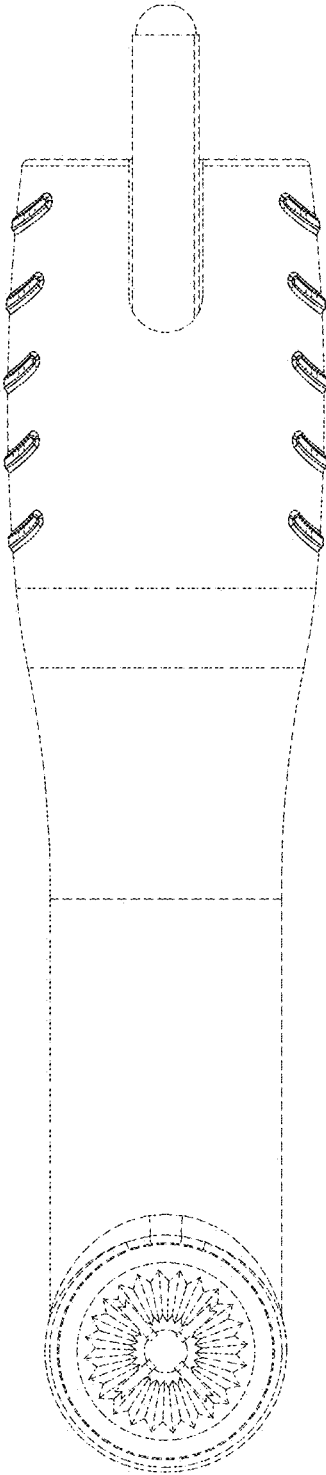


FIG. 7

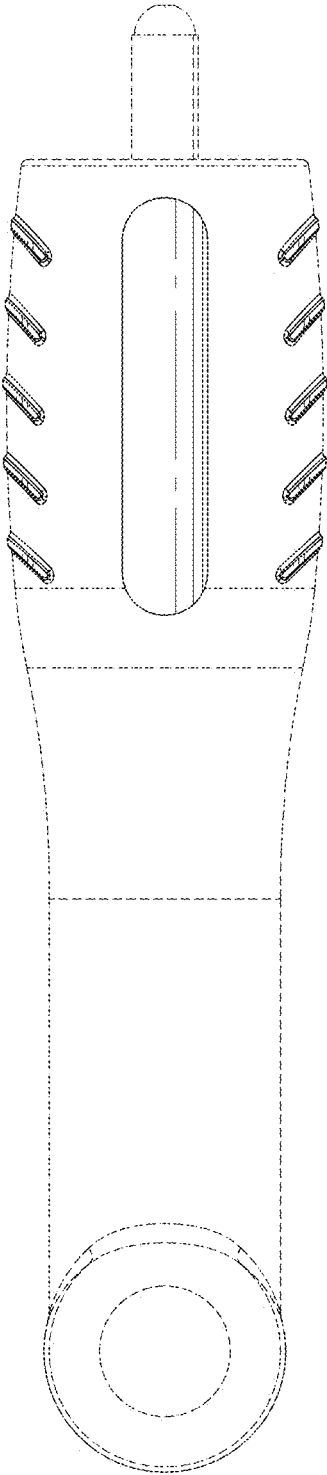


FIG. 8

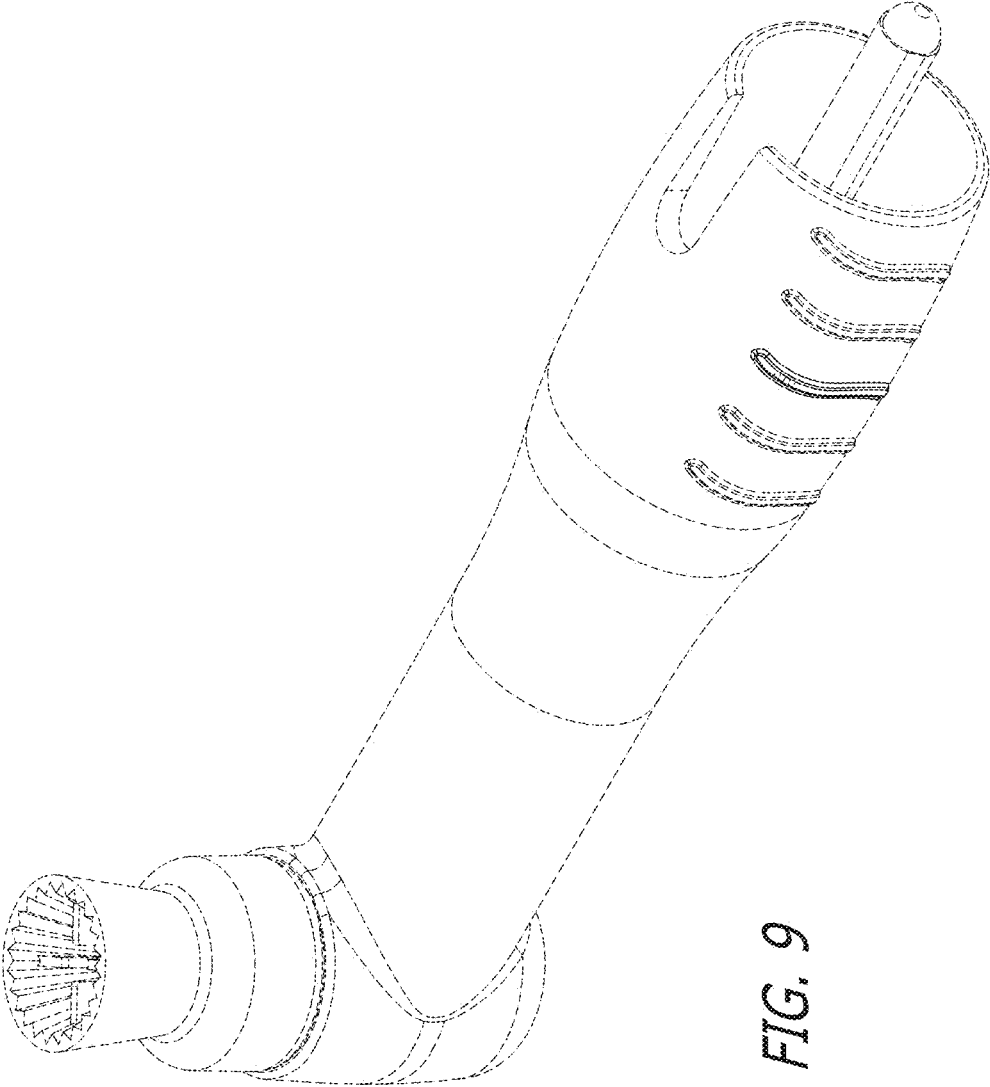


FIG. 9

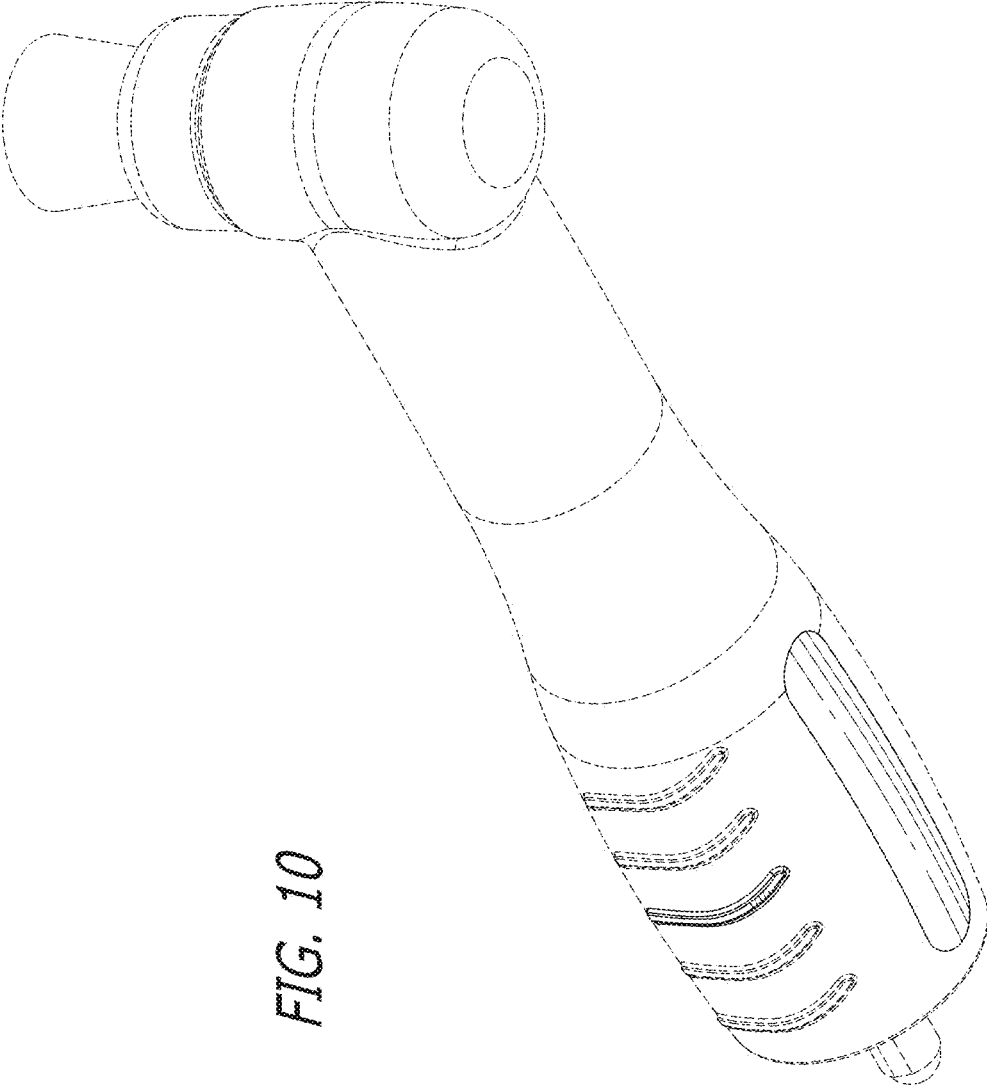


FIG. 10

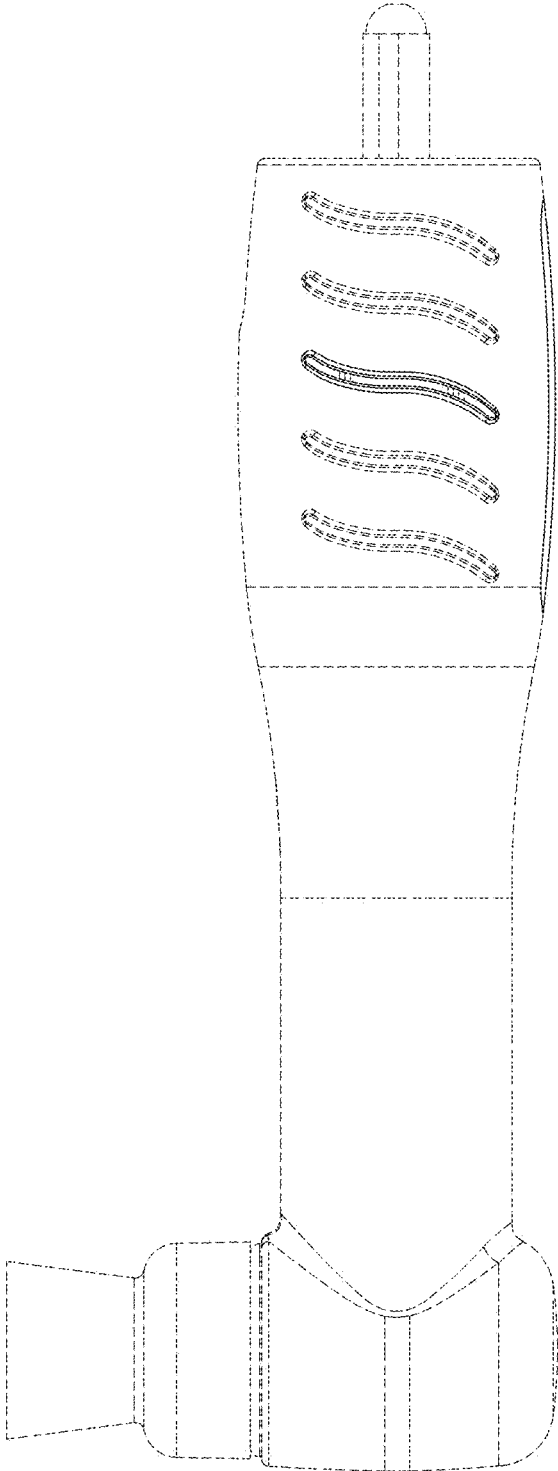


FIG. 11

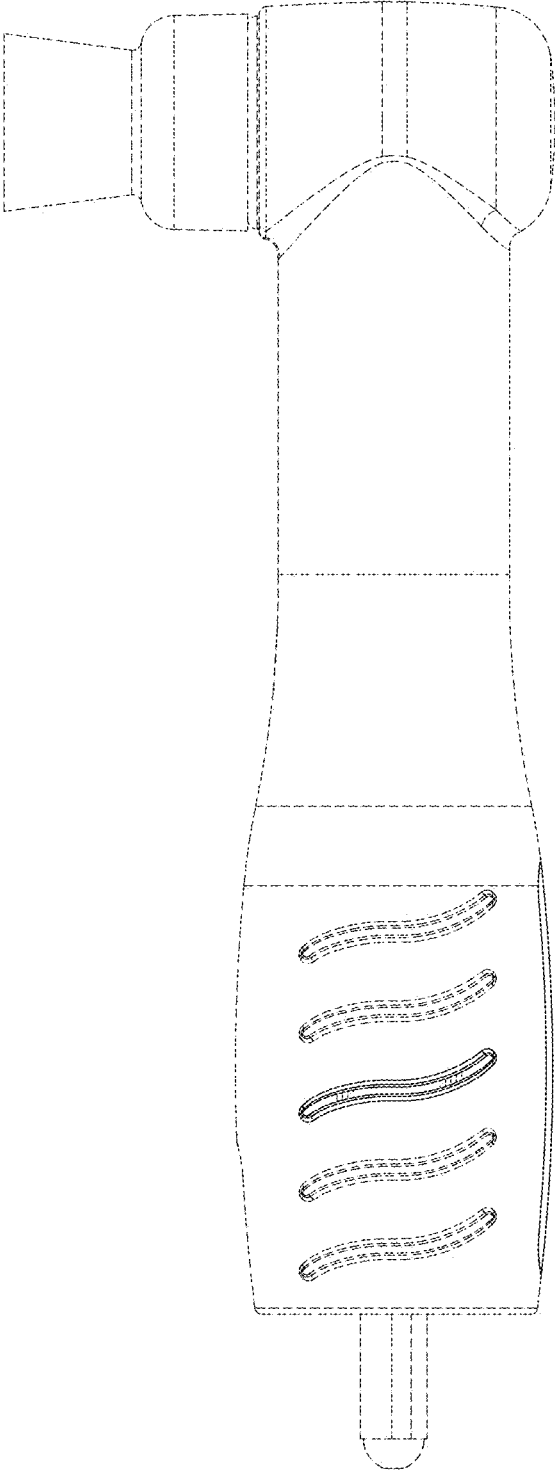


FIG. 12

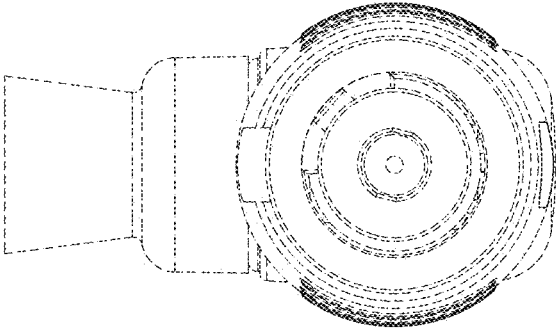


FIG. 14

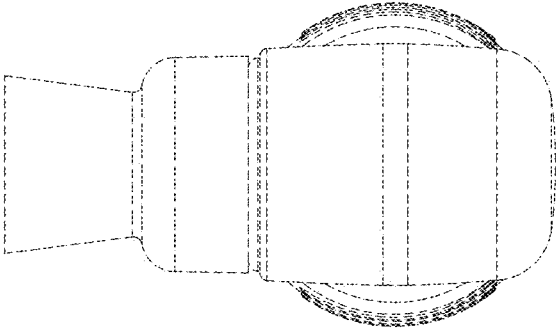


FIG. 13

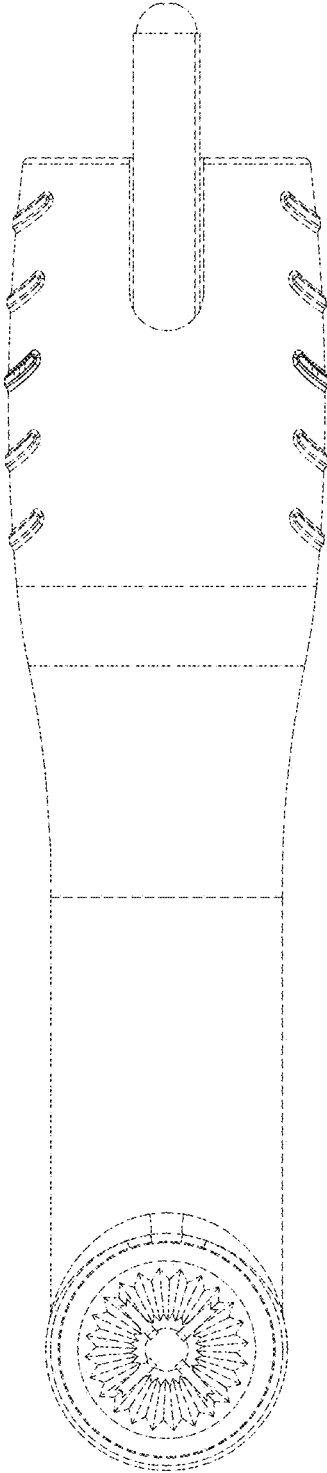


FIG. 15

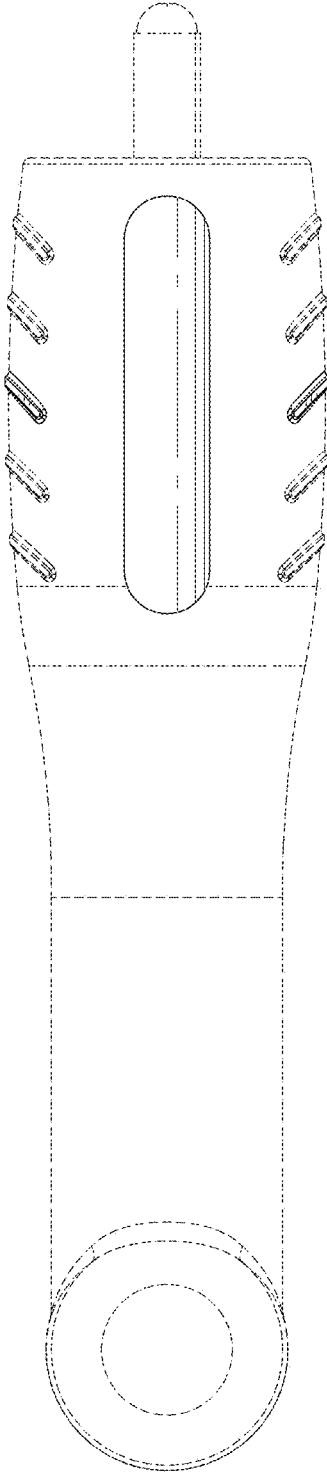


FIG. 16