



(12) **United States Design Patent**
Akana et al.

(10) **Patent No.:** **US D897,352 S**
(45) **Date of Patent:** **** Sep. 29, 2020**

(54) **KEYBOARD**

(71) Applicant: **Apple Inc.**, Cupertino, CA (US)
(72) Inventors: **Jody Akana**, San Francisco, CA (US); **Molly Anderson**, San Francisco, CA (US); **Bartley K. Andre**, Palo Alto, CA (US); **Shota Aoyagi**, San Francisco, CA (US); **Anthony Michael Ashcroft**, San Francisco, CA (US); **Jeremy Bataillou**, San Francisco, CA (US); **Daniel J. Coster**, San Francisco, CA (US); **Daniele De Iulius**, San Francisco, CA (US); **M. Evans Hankey**, San Francisco, CA (US); **Julian Hoening**, San Francisco, CA (US); **Richard P. Howarth**, San Francisco, CA (US); **Jonathan P. Ive**, San Francisco, CA (US); **Duncan Robert Kerr**, San Francisco, CA (US); **Peter Russell-Clarke**, San Francisco, CA (US); **Benjamin Andrew Shaffer**, San Jose, CA (US); **Mikael Silvano**, San Francisco, CA (US); **Christopher J. Stringer**, Woodside, CA (US); **Clement Tissandier**, San Francisco, CA (US); **Eugene Antony Whang**, San Francisco, CA (US); **Rico Zörkendörfer**, San Francisco, CA (US)

(73) Assignee: **Apple Inc.**, Cupertino, CA (US)

(**) Term: **15 Years**

(21) Appl. No.: **29/730,552**

(22) Filed: **Apr. 6, 2020**

Related U.S. Application Data

(63) Continuation of application No. 29/671,284, filed on Nov. 26, 2018, now Pat. No. Des. 880,488, which is a continuation of application No. 29/606,501, filed on Jun. 5, 2017, now Pat. No. Des. 834,586, which is a

continuation of application No. 29/558,786, filed on Mar. 21, 2016, now Pat. No. Des. 788,784.

(51) **LOC (12) Cl.** **14-02**

(52) **U.S. Cl.**
USPC **D14/455**

(58) **Field of Classification Search**

USPC D14/250, 315–327, 345, 391–399, 440, D14/455, 456

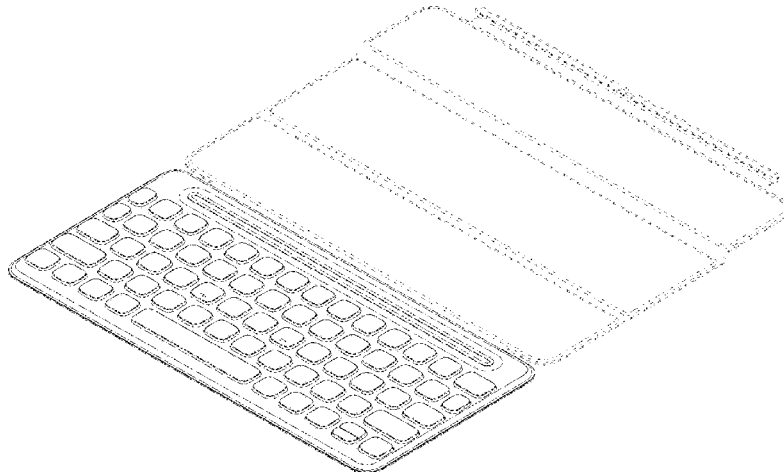
CPC G06F 1/16; G06F 1/1616; G06F 1/1626; G06F 1/1632; G06F 1/1613; G06F 1/1601; G06F 1/1618; G06F 1/162; G06F 3/0221; G06F 3/0216; H01R 35/02; H03M 11/00; G09B 13/04; H03K 17/94; G09G 5/00; F16M 11/10; H05K 5/00; H04M 1/0237; H01H 13/14; H01H 13/84; B41J 5/00; B41J 5/12; B41J 5/10

See application file for complete search history.

(56) **References Cited**

U.S. PATENT DOCUMENTS

3,461,009	A	8/1969	Snyder et al.
D317,935	S	7/1991	Sawano
D364,191	S	11/1995	Allen
D409,175	S	5/1999	Renk
5,908,265	A	6/1999	Mostkoff
D467,429	S	12/2002	Bone et al.
D470,150	S	2/2003	Lewis, Jr. et al.
D481,735	S	11/2003	Marucci et al.
6,900,794	Bi	5/2005	San
D516,079	S	2/2006	Solomon et al.
D525,980	S	8/2006	Wang et al.
D581,726	S	12/2008	Shamoon
D582,423	S	12/2008	Ikeda et al.
D585,071	S	1/2009	Ikeda et al.
D592,211	S	5/2009	Ichise et al.
D598,451	S	8/2009	Andre et al.
D604,300	S	11/2009	Andre et al.
D604,736	S	11/2009	Andre et al.
D607,826	S	1/2010	Shaw
D607,827	S	1/2010	Shaw
D612,843	S	3/2010	Andre et al.
D616,886	S	6/2010	Andre et al.
D637,814	S	5/2011	Akana et al.
D640,695	S	6/2011	Andre et al.
D645,471	S	9/2011	Gardner et al.
D645,860	S	9/2011	Andre et al.
D653,665	S	2/2012	Maruyama



8,124,216	B2	2/2012	Antonini	D779,490	S	2/2017	Akana et al.	
D656,929	S	4/2012	Hsiung	D780,758	S	3/2017	Bailey et al.	
D658,186	S	4/2012	Akana et al.	D780,800	S	3/2017	Bi	
D669,477	S	10/2012	Akana et al.	D786,249	S	5/2017	Feiz et al.	
D671,114	S	11/2012	Akana et al.	D788,784	S *	6/2017	Akana	D14/456
D672,353	S	12/2012	Liu	D789,934	S	6/2017	Akana et al.	
D672,360	S	12/2012	Lee et al.	D789,941	S *	6/2017	Sauvage	D14/455
D672,781	S	12/2012	Lu	D789,942	S	6/2017	Bailey et al.	
D674,800	S	1/2013	Kim	D791,780	S	7/2017	Bailey et al.	
D676,048	S	2/2013	McManigal et al.	D797,111	S	9/2017	Sauvage et al.	
D676,848	S	2/2013	Smith et al.	D799,485	S	10/2017	Kim et al.	
D677,668	S	3/2013	Phillips et al.	D799,496	S	10/2017	Bailey et al.	
D678,260	S	3/2013	Bau	D801,973	S	11/2017	Feng	
D678,278	S	3/2013	Brown	D820,838	S	6/2018	Akana et al.	
D678,300	S	3/2013	Groene et al.	D820,839	S *	6/2018	Akana	D14/345
D679,279	S	4/2013	Yang et al.	D820,840	S	6/2018	Akana et al.	
D679,703	S	4/2013	Tanaka	D820,841	S	6/2018	Akana et al.	
D682,832	S	5/2013	Smith et al.	D832,836	S	11/2018	Akana et al.	
D682,839	S	5/2013	SampSon et al.	D834,586	S *	11/2018	Akana	D14/455
D685,802	S	7/2013	Canizares et al.	D880,488	S *	4/2020	Akana	D14/455
D688,251	S	8/2013	Akana et al.	D883,986	S *	5/2020	Akana	D14/440
D689,059	S	9/2013	Tak et al.	2007/0121311	A1	5/2007	Chou	
D691,135	S	10/2013	Choi	2008/0266782	A1	10/2008	Zhang	
D691,151	S	10/2013	Hsu	2009/0159763	A1	6/2009	Kim	
D692,886	S	11/2013	Bates et al.	2009/0283393	A1	11/2009	Chen et al.	
D692,902	S	11/2013	Groene et al.	2011/0042195	A1	2/2011	Tsai	
D695,291	S	12/2013	Andre et al.	2011/0227463	A1	9/2011	Hou et al.	
D695,464	S	12/2013	Hardy	2012/0140396	A1	6/2012	Zeliff et al.	
D695,743	S	12/2013	Akana et al.	2012/0194448	A1	8/2012	Rothkopf	
D696,253	S	12/2013	Akana et al.	2012/0211377	A1	8/2012	Sajid	
D696,254	S	12/2013	Groene et al.	2012/0261289	A1	10/2012	Wyner et al.	
D696,262	S	12/2013	Groene et al.	2013/0233762	A1	9/2013	Balaji et al.	
D696,667	S	12/2013	Helwig et al.	2014/0158645	A1	6/2014	Thomas	
D701,214	S	3/2014	Gengler	2014/0186085	A1	7/2014	Zhang	
D703,209	S	4/2014	Marcus	2014/0267050	A1	9/2014	Spollen et al.	
D704,702	S	5/2014	Akana et al.	2016/0018854	A1	1/2016	Yu et al.	
D704,717	S	5/2014	Tanaka	2016/0119011	A1	4/2016	Thompson et al.	
D705,227	S	5/2014	Groene et al.					
D706,270	S	6/2014	Akana et al.					
D714,791	S	10/2014	Liu					
D720,355	S	12/2014	Akana et al.					
D720,747	S	1/2015	Kim et al.					
D720,748	S	1/2015	Groene et al.					
D727,324	S	4/2015	King					
D731,485	S	6/2015	Kim et al.					
D731,486	S	6/2015	Kim et al.					
D735,196	S	7/2015	Son					
D735,205	S	7/2015	Akana et al.					
D735,212	S	7/2015	Son					
D740,113	S	10/2015	Olenick					
D740,298	S	10/2015	Son et al.					
D740,831	S	10/2015	Colby					
D742,740	S	11/2015	Kim et al.					
D746,819	S	1/2016	Feiz et al.					
D749,587	S	2/2016	Lee et al.					
D750,079	S	2/2016	Chen et al.					
D750,081	S	2/2016	Jeong et al.					
D750,094	S	2/2016	Gengler					
D750,095	S	2/2016	Jeong et al.					
D750,629	S	3/2016	Kim et al.					
D751,553	S	3/2016	Kim et al.					
D751,567	S	3/2016	Seoc et al.					
D753,648	S	4/2016	Shyu et al.					
D754,652	S	4/2016	Roberts et al.					
D754,659	S	4/2016	Kim et al.					
D757,023	S	5/2016	Bowers et al.					
D758,377	S	6/2016	Warren et al.					
D761,267	S *	7/2016	Chen	D14/345				
D765,630	S	9/2016	Harata et al.					
D772,885	S	11/2016	Akana et al.					
D772,886	S	11/2016	Akana et al.					
D773,474	S	12/2016	Akana et al.					
D775,133	S	12/2016	Akana et al.					
D775,630	S	1/2017	Starrett					
D776,115	S *	1/2017	Akana	D14/392				
D776,116	S *	1/2017	Akana	D14/392				
D778,918	S	2/2017	Sauvage					
D779,485	S *	2/2017	Akana	D14/345				
D779,489	S	2/2017	Akana et al.					

FOREIGN PATENT DOCUMENTS

JP	D1475195	S	7/2013
JP	D1517990	S	2/2015
JP	D1537210	S	11/2015
JP	D1547736	S	4/2016
KR	30-0779797	S	1/2015

OTHER PUBLICATIONS

Belkin International, Inc., “Belkin EXP ANDS Keyboard Lineup To New Apple iPad Mini,” dated Nov. 14, 2012. Wayback Machine Internet Archive, Tangram Design Lab Inc., “Smart Top: IP AD and Wireless Keyboard at a Time” <<https://web.archive.org/web/20121013124127/http://tangramdesignlab.com/smarttop/en!>> dated Oct. 13, 2012, accessed Nov. 9, 2016.

* cited by examiner

Primary Examiner — Keli L Hill
 Assistant Examiner — Harold E Blackwell, II
 (74) Attorney, Agent, or Firm — Sterne, Kessler, Goldstein & Fox P.L.L.C.

(57) CLAIM

The ornamental design for a keyboard, as shown and described.

DESCRIPTION

FIG. 1 is a top front perspective view of a keyboard cover showing the claimed design;
 FIG. 2 is a bottom rear perspective view thereof;
 FIG. 3 is a front view thereof;
 FIG. 4 is a rear view thereof;

FIG. 5 is a left side view thereof;
FIG. 6 is a right side view thereof;
FIG. 7 is a top view thereof; and,
FIG. 8 is a bottom view thereof.

The broken lines in the figures show portions of the keyboard that form no part of the claimed design.

1 Claim, 6 Drawing Sheets

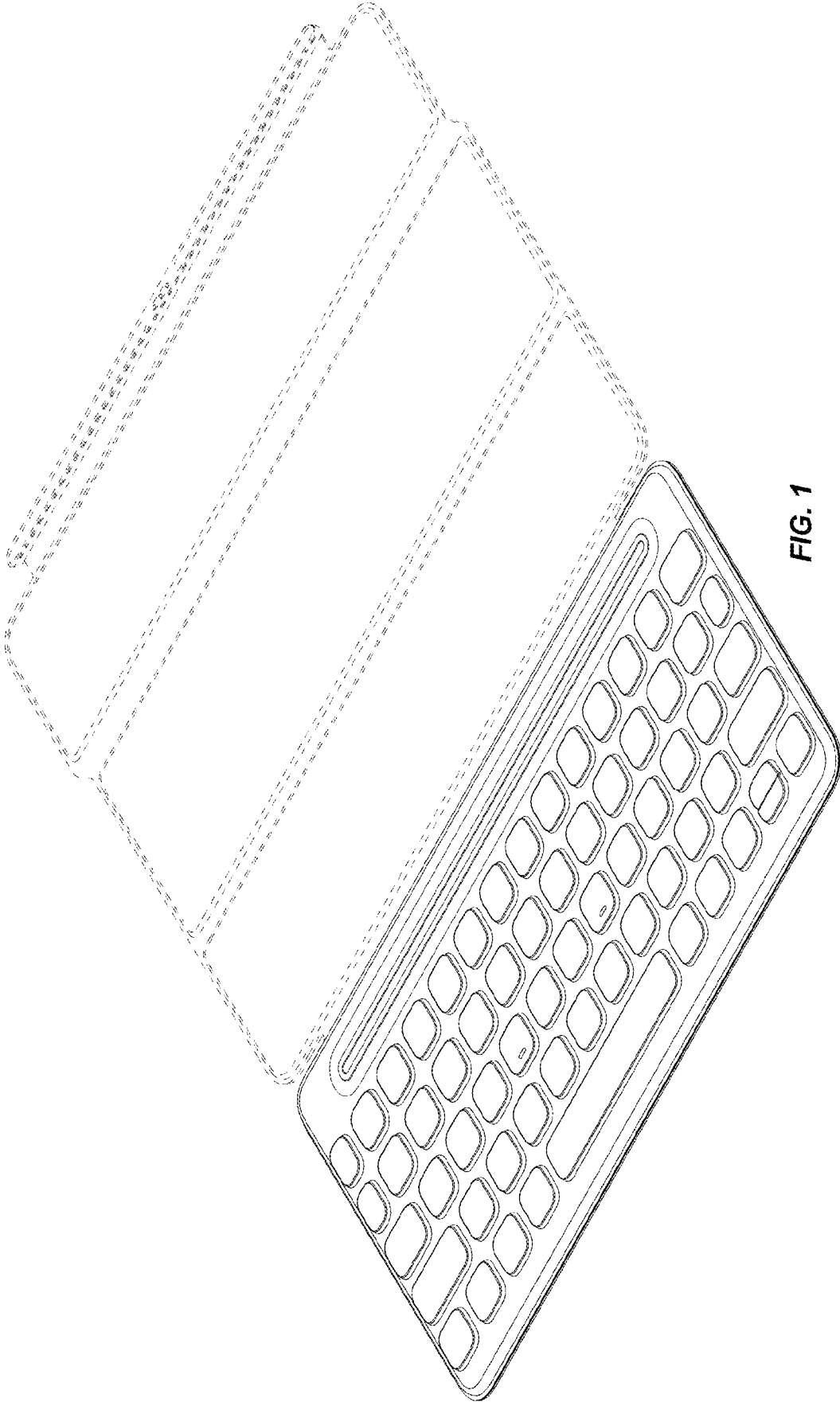


FIG. 1

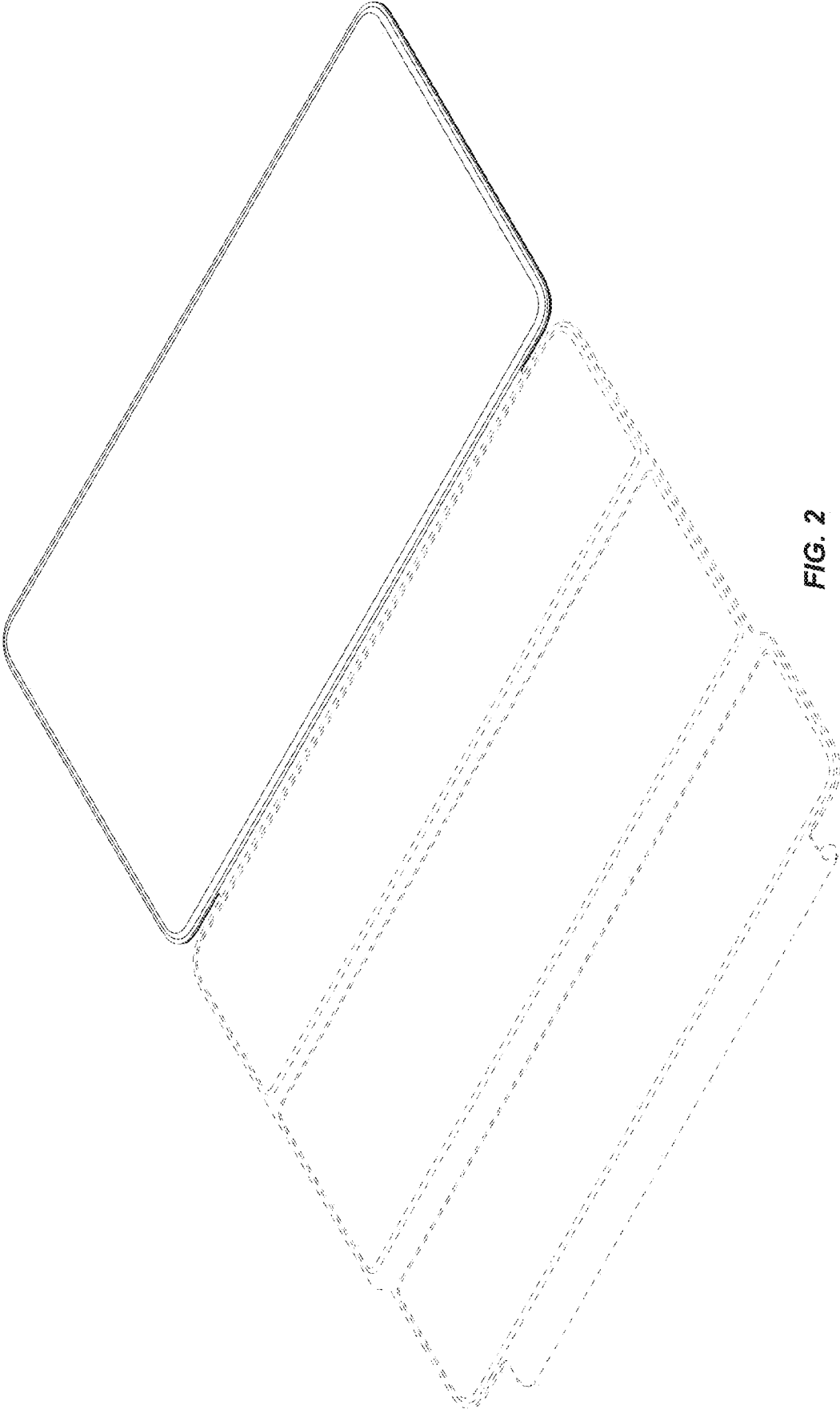


FIG. 2

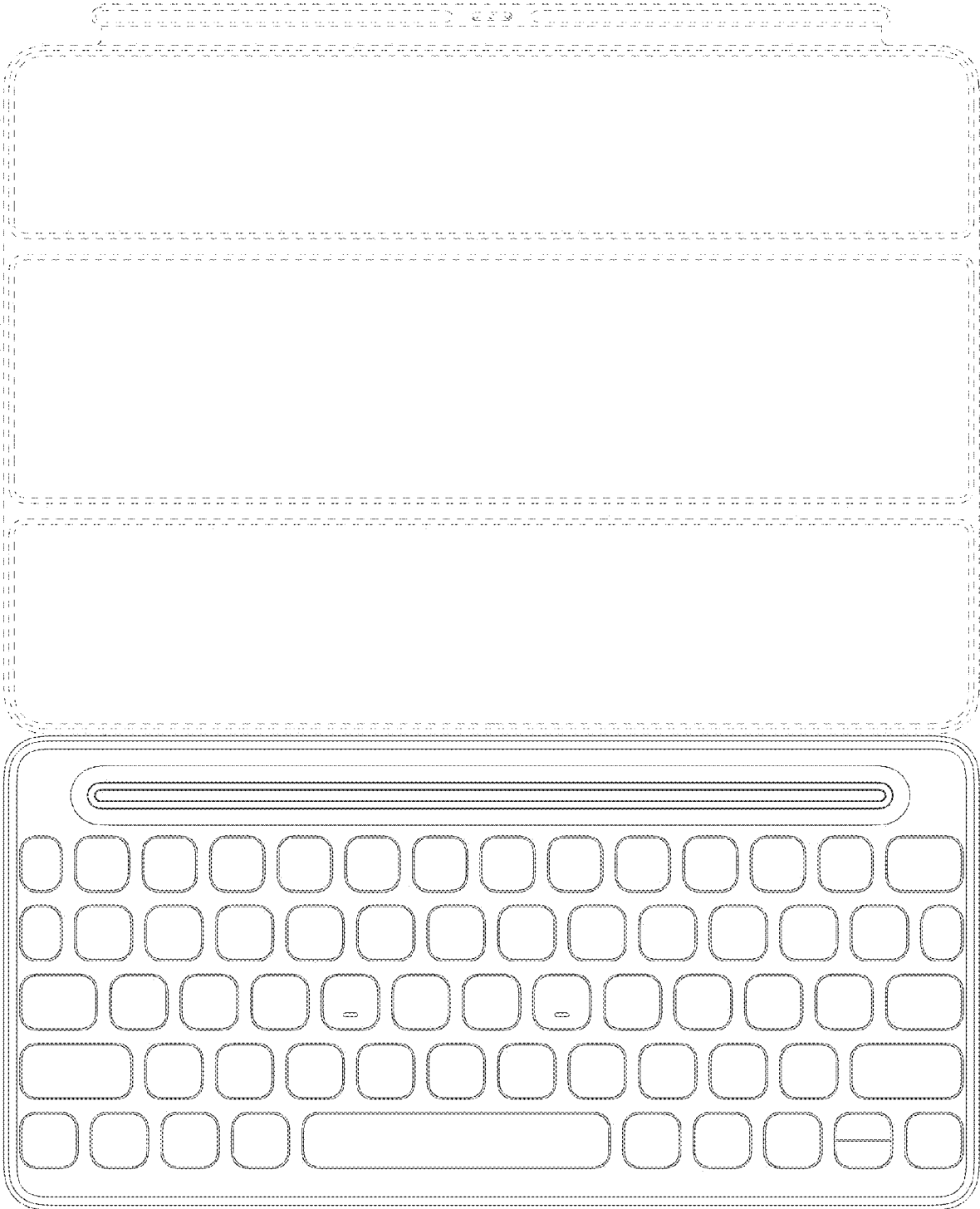


FIG. 3



FIG. 4



FIG. 5



FIG. 6

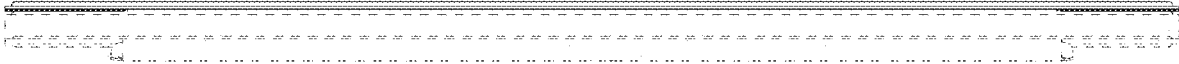


FIG. 7



FIG. 8