



US00D588179S

(12) **United States Design Patent**
Hamamura

(10) **Patent No.:** **US D588,179 S**

(45) **Date of Patent:** **** Mar. 10, 2009**

(54) **DIGITAL CAMERA**

(75) Inventor: **Toshihiro Hamamura**, Tokyo (JP)

(73) Assignee: **Pentax Corporation**, Tokyo (JP)

(**) Term: **14 Years**

(21) Appl. No.: **29/304,122**

(22) Filed: **Feb. 26, 2008**

(30) **Foreign Application Priority Data**

Sep. 6, 2007 (JP) 2007-024268

(51) **LOC (9) Cl.** **16-01**

(52) **U.S. Cl.** **D16/212; D16/202**

(58) **Field of Classification Search** D16/200-204,
D16/208, 211, 212, 218, 219; 348/373-376;
358/909.1; 396/349, 448

See application file for complete search history.

(56) **References Cited**

U.S. PATENT DOCUMENTS

D536,720	S *	2/2007	Miyashita	D16/202
7,239,806	B2 *	7/2007	Chen	396/448
D561,221	S *	2/2008	Ogura et al.	D16/212
D567,836	S *	4/2008	Sato	D16/212
D570,391	S *	6/2008	Hibi	D16/212
2006/0181639	A1 *	8/2006	Ueda et al.	348/376

* cited by examiner

Primary Examiner—Adir Aronovich

(74) *Attorney, Agent, or Firm*—Sughrue Mion, PLLC

(57) **CLAIM**

The ornamental design for a digital camera, as shown and described.

DESCRIPTION

FIG. 1 is a perspective view of the top, front and right side of a digital camera showing my new design;

FIG. 2 is a front elevational view thereof;

FIG. 3 is a rear elevational view thereof;

FIG. 4 is a left side elevational view thereof;

FIG. 5 is a right side elevational view thereof;

FIG. 6 is a top plan view thereof;

FIG. 7 is a bottom plan view thereof;

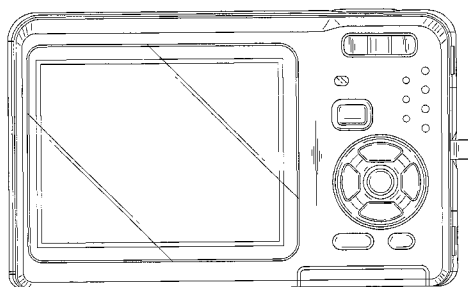
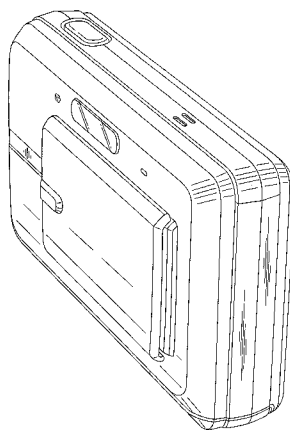
FIG. 8 is a front elevational view thereof, with a lens cover being in an open position;

FIG. 9 is a top plan view thereof, with a lens cover being in an open position; and,

FIG. 10 is a bottom plan view thereof, with a lens cover being in an open position.

The portions shown in broken lines are for illustrative purposes only and form no part of the claimed design.

1 Claim, 7 Drawing Sheets



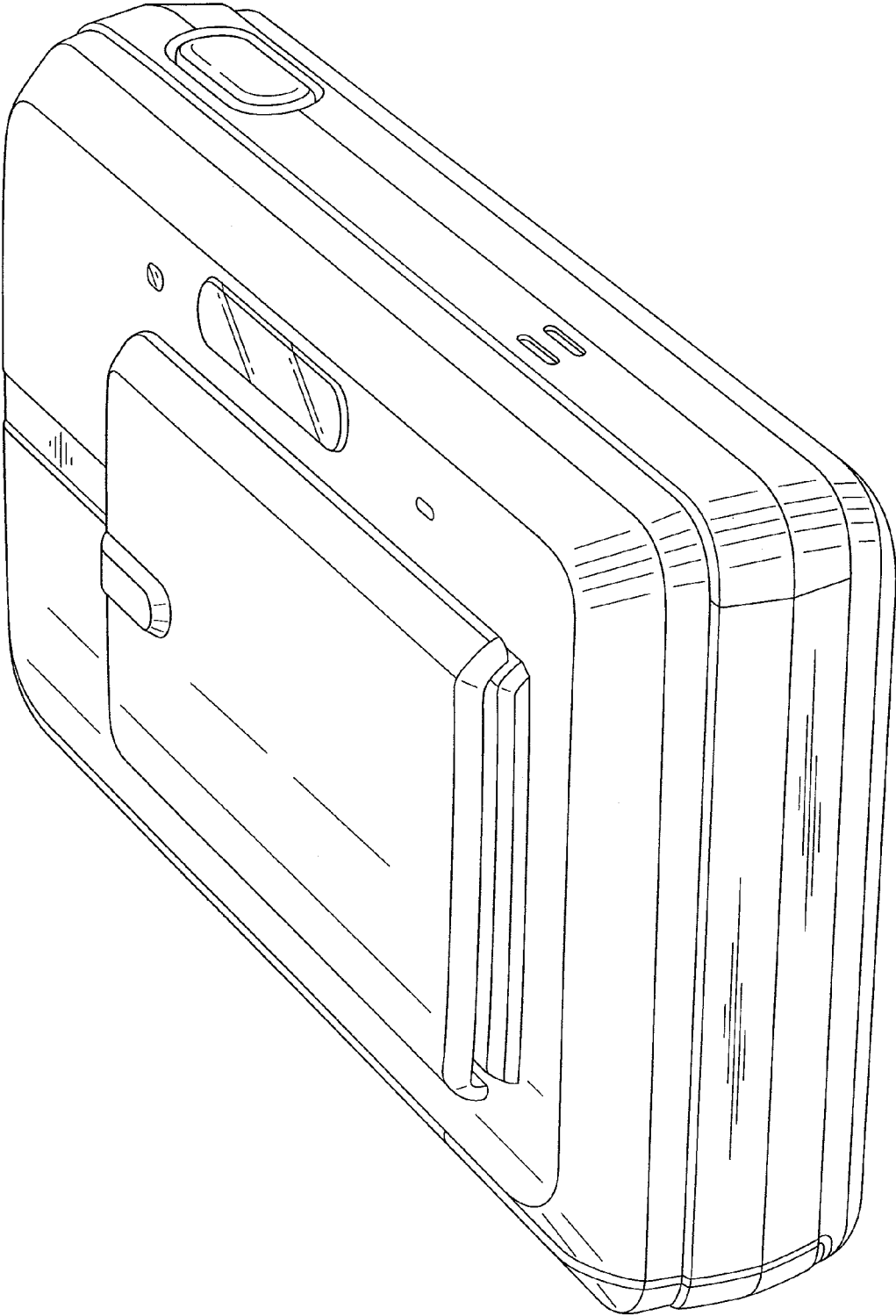


FIG. 1

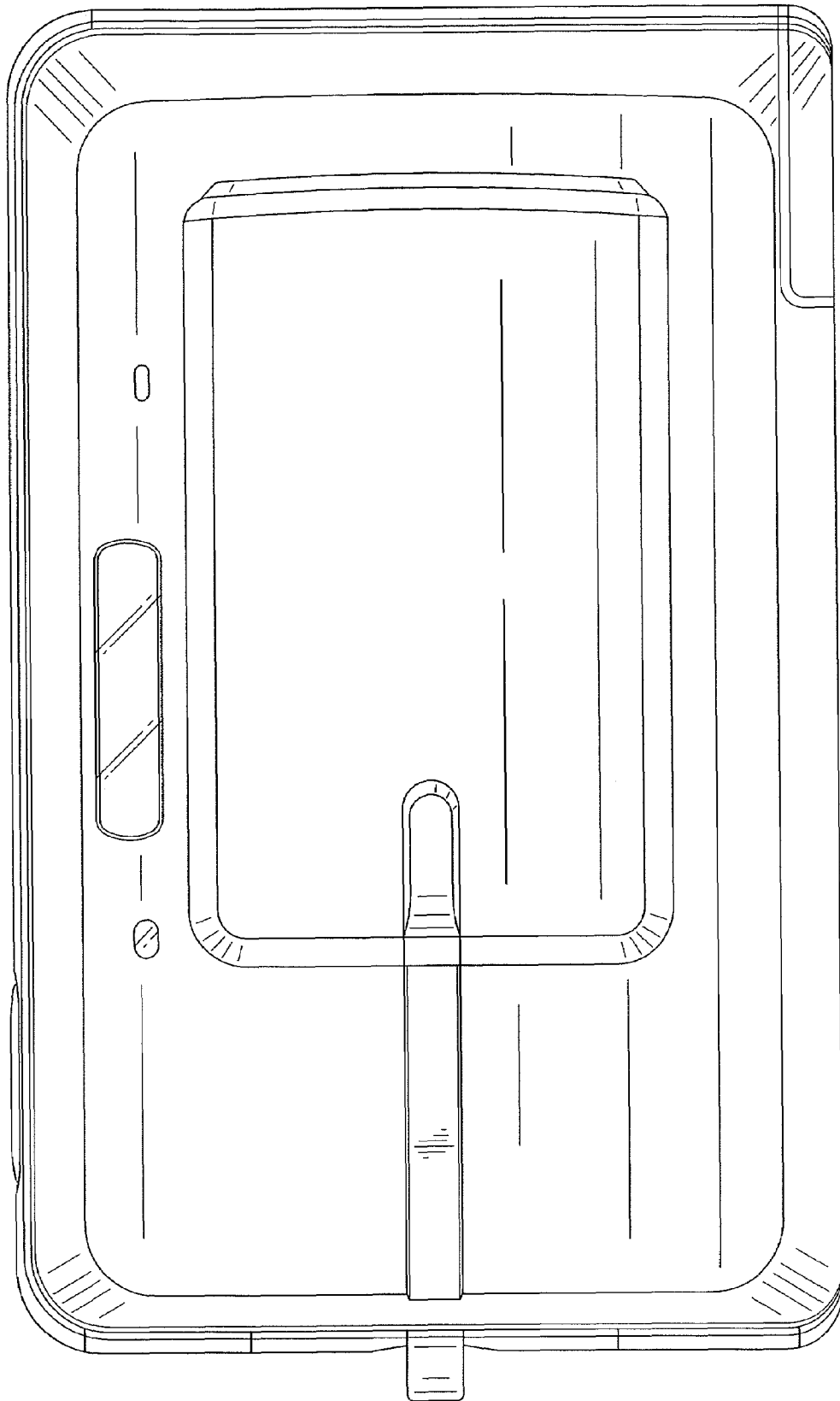


FIG. 2

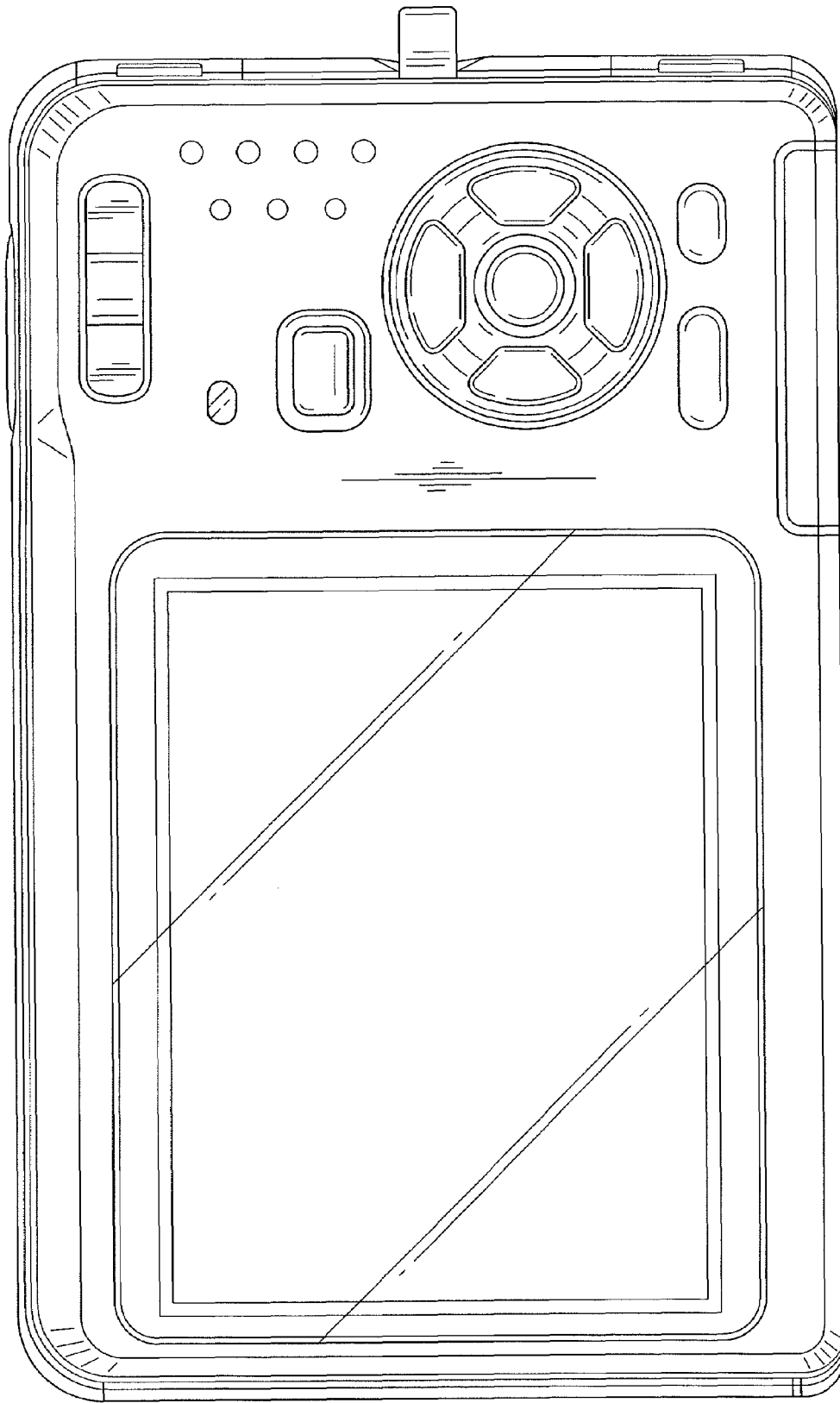


FIG. 3

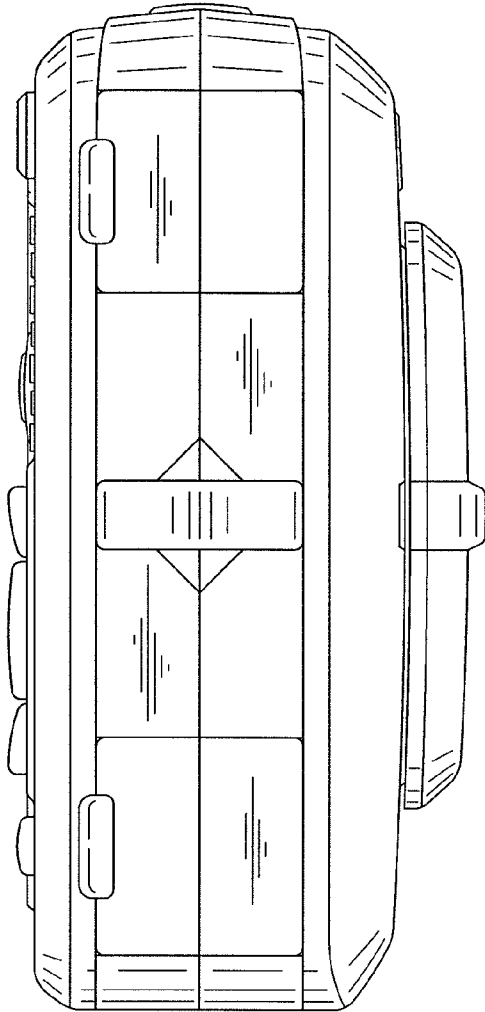


FIG. 4

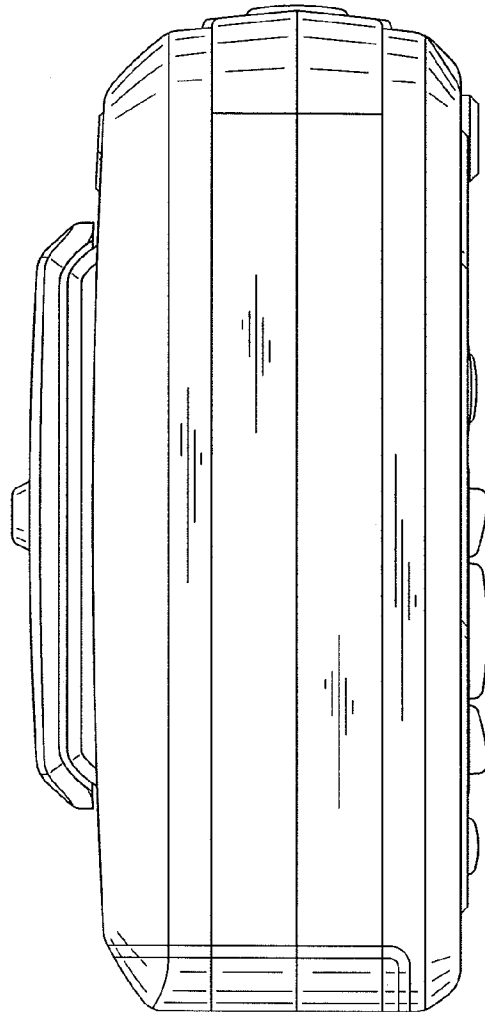


FIG. 5

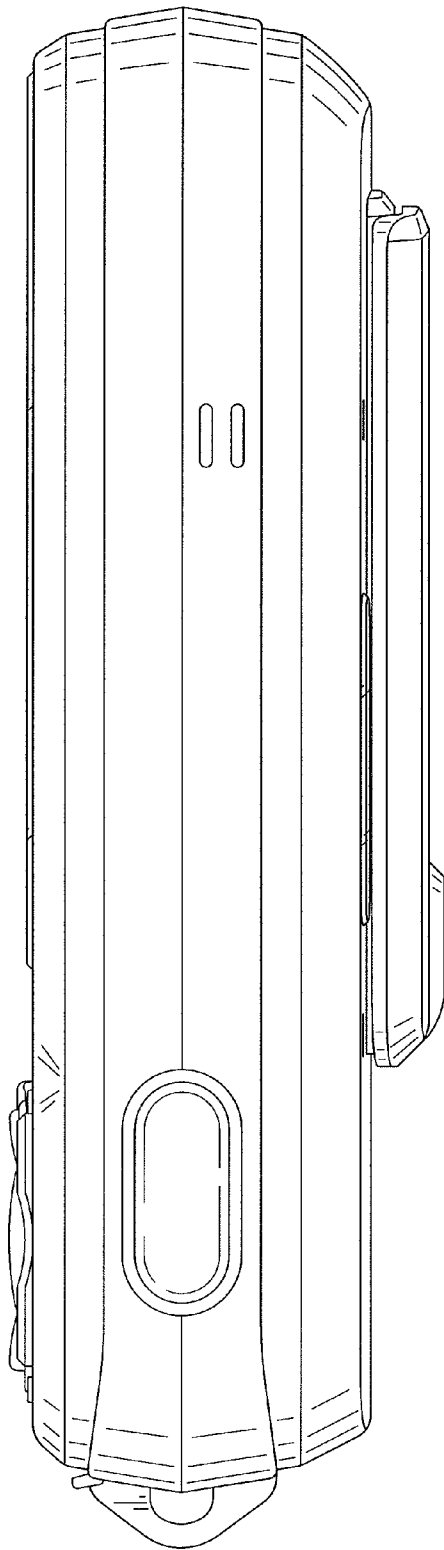


FIG. 6

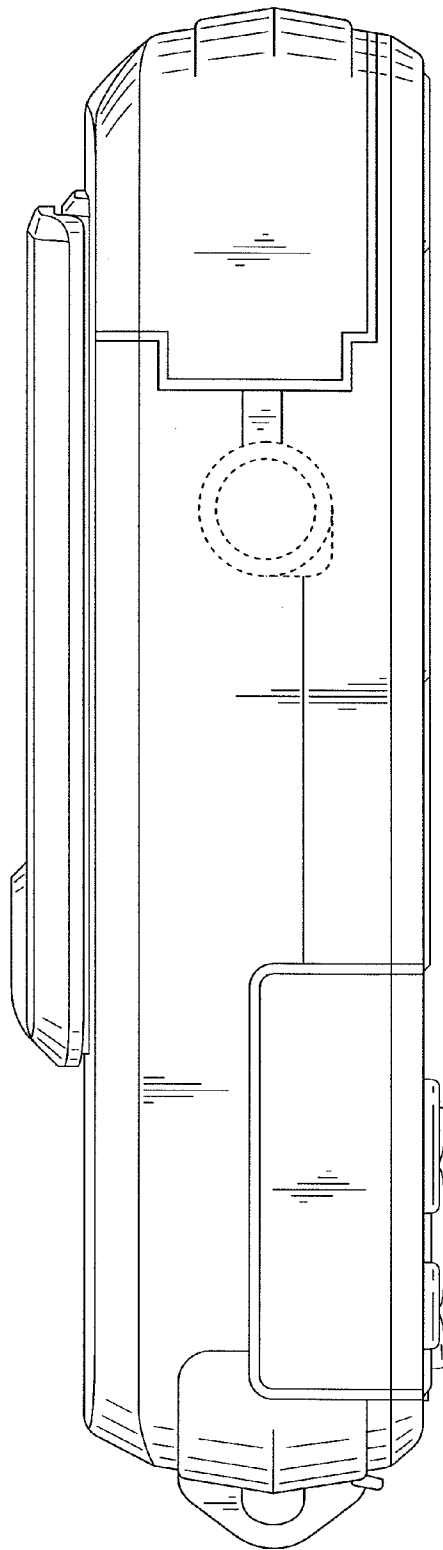


FIG. 7

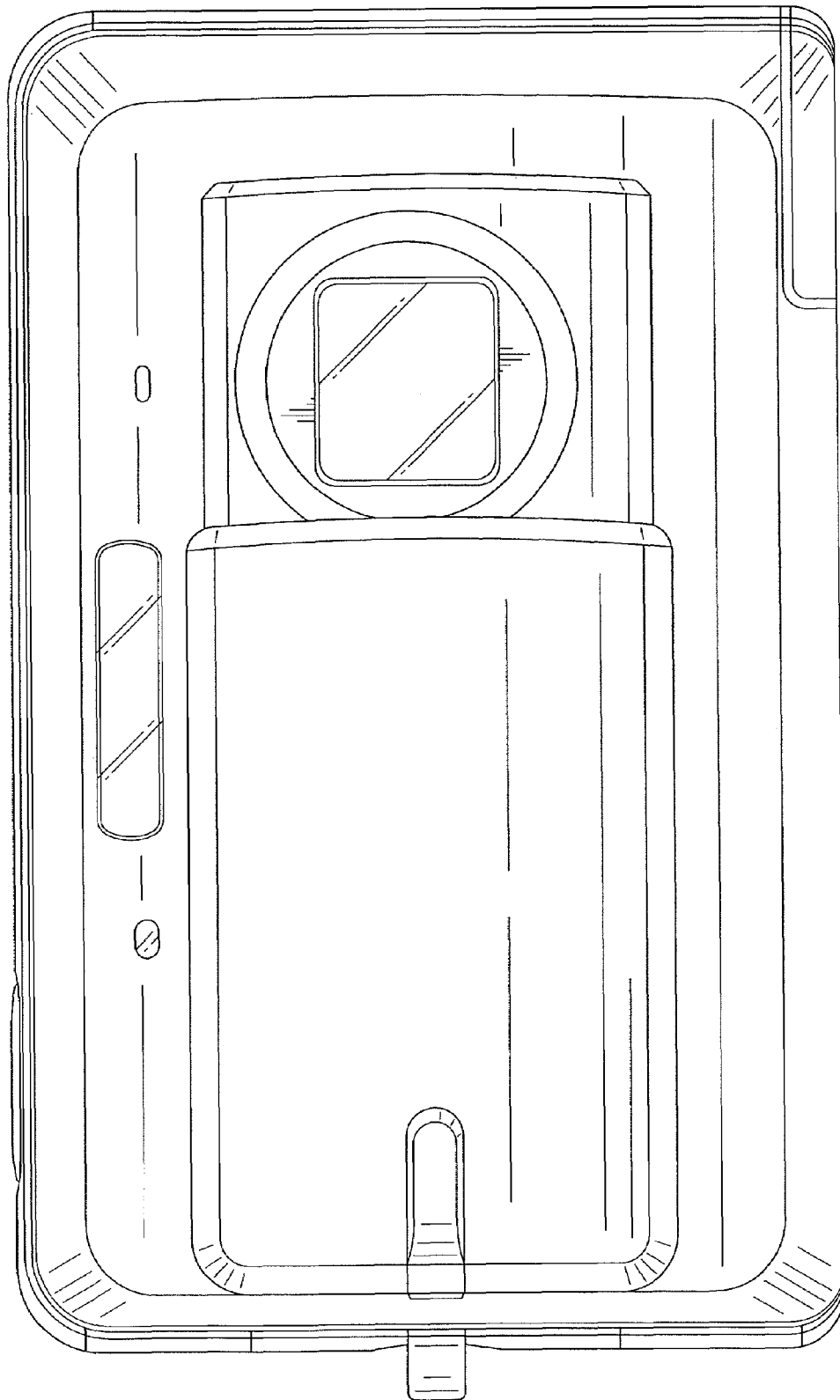


FIG. 8

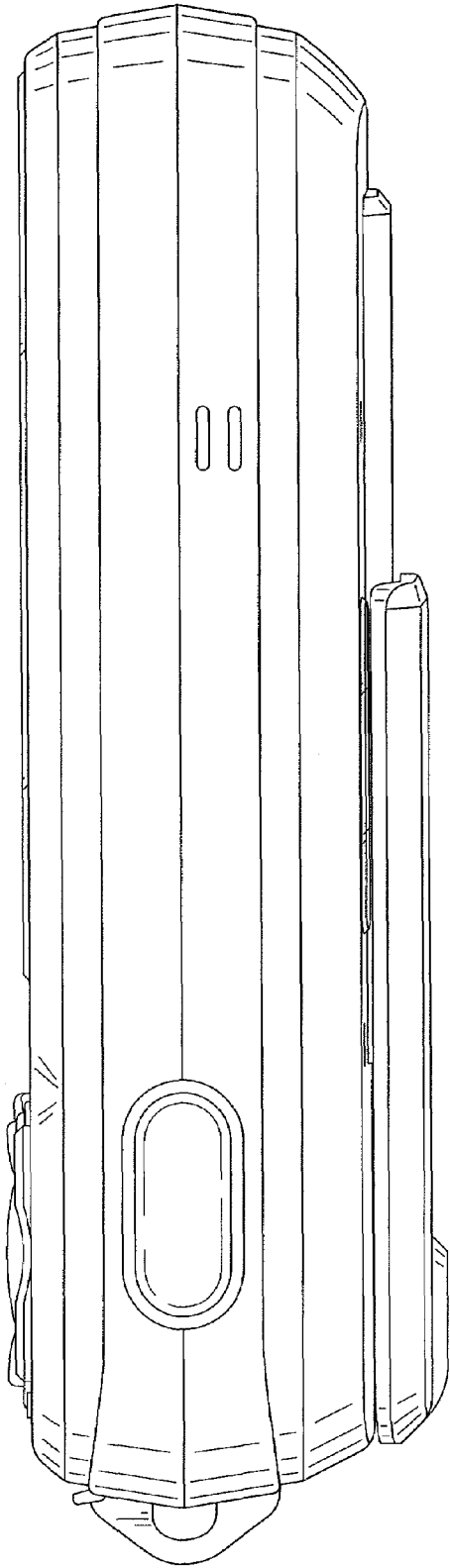


FIG. 9

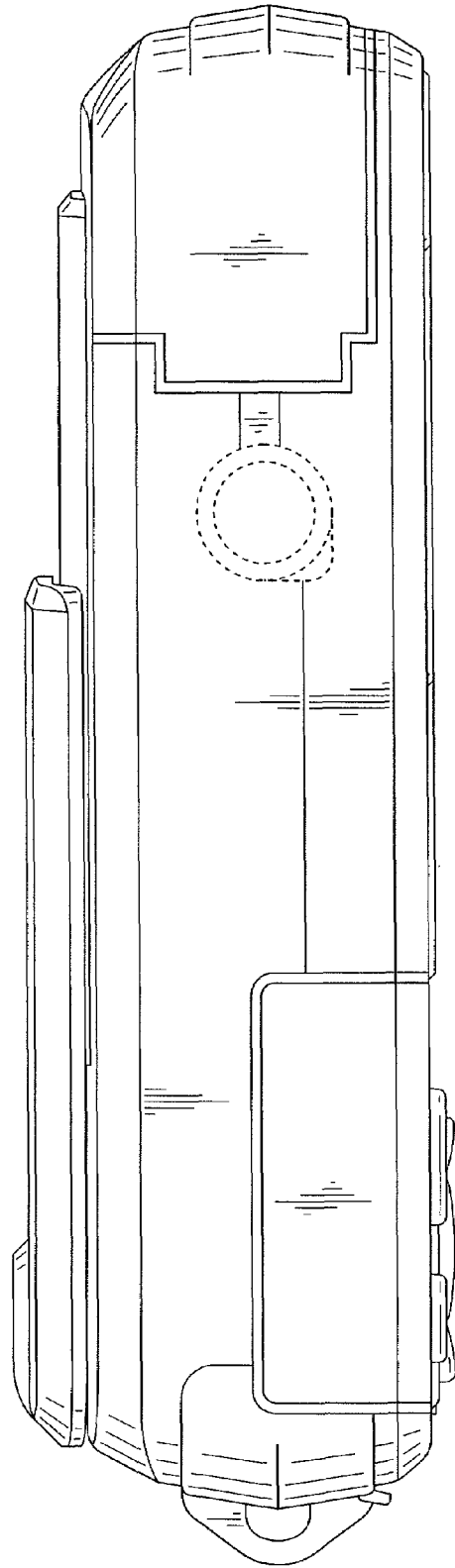


FIG. 10