

(19) World Intellectual Property Organization  
International Bureau



(43) International Publication Date  
4 July 2002 (04.07.2002)

PCT

(10) International Publication Number  
**WO 02/051644 A1**

- (51) **International Patent Classification<sup>7</sup>:** **B41M 7/00**, D06P 5/00, A61F 13/15, C09D 11/02, 11/10
- (21) **International Application Number:** PCT/US00/34905
- (22) **International Filing Date:**  
21 December 2000 (21.12.2000)
- (25) **Filing Language:** English
- (26) **Publication Language:** English
- (71) **Applicant (for all designated States except US):** **THE PROCTER & GAMBLE COMPANY** [US/US]; One Procter & Gamble Plaza, Cincinnati, OH 45202 (US).
- (72) **Inventors; and**
- (75) **Inventors/Applicants (for US only):** **NAIR, Radhakrishnan, Janardanan** [IN/JP]; 1-10-101-1108, Koyo-cho Naka, Higashinada-ku, Kobe 658-0032 (JP). **SUE, Shunketsu** [JP/JP]; 2-4-605 Niihama-cho, Ashiya 659-0031 (JP).
- (74) **Agents:** **REED, T., David** et al.; The Procter & Gamble Company, 5299 Spring Grove Avenue, Cincinnati, OH 45217-1087 (US).
- (81) **Designated States (national):** AE, AG, AL, AM, AT, AT (utility model), AU, AZ, BA, BB, BG, BR, BY, BZ, CA, CH, CN, CR, CU, CZ, CZ (utility model), DE, DE (utility model), DK, DK (utility model), DM, DZ, EE, EE (utility model), ES, FI, FI (utility model), GB, GD, GE, GH, GM, HR, HU, ID, IL, IN, IS, JP, KE, KG, KP, KR, KZ, LC, LK, LR, LS, LT, LU, LV, MA, MD, MG, MK, MN, MW, MX, MZ, NO, NZ, PL, PT, RO, RU, SD, SE, SG, SI, SK, SK (utility model), SL, TJ, TM, TR, TT, TZ, UA, UG, US, UZ, VN, YU, ZA, ZW.
- (84) **Designated States (regional):** ARIPO patent (GH, GM, KE, LS, MW, MZ, SD, SL, SZ, TZ, UG, ZW), Eurasian patent (AM, AZ, BY, KG, KZ, MD, RU, TJ, TM), European patent (AT, BE, CH, CY, DE, DK, ES, FI, FR, GB, GR, IE, IT, LU, MC, NL, PT, SE, TR), OAPI patent (BF, BJ, CF, CG, CI, CM, GA, GN, GW, ML, MR, NE, SN, TD, TG).

**Published:**

— with international search report

For two-letter codes and other abbreviations, refer to the "Guidance Notes on Codes and Abbreviations" appearing at the beginning of each regular issue of the PCT Gazette.



**WO 02/051644 A1**

(54) **Title:** INK-PRINTED SUBSTRATE WEB AND DISPOSABLE ABSORBENT ARTICLE EXHIBITING IMPROVED INK RUB-OFF RESISTANCE

(57) **Abstract:** An ink-printed substrate web exhibiting ink rub-off resistance is disclosed. The substrate web is printed with an ink composition to form an ink film on the substrate web. The ink-printed substrate web being coated with a coating composition to form a coating film on the ink film. At least one of the ink composition and the coating composition forms a cross-linked structure within the film thereof and forms a cross-linked structure with the other composition between the ink film and the coating film. A disposable absorbent article using the ink-printed substrate web is also disclosed.

INK-PRINTED SUBSTRATE WEB AND DISPOSABLE ABSORBENT ARTICLE EXHIBITING IMPROVED  
INK RUB-OFF RESISTANCE

5

TECHNICAL FIELD

10           The present application relates to an ink-printed substrate web exhibiting improved ink rub-off resistance and a method for making an ink-printed substrate web exhibiting improved ink rub-off resistance.

BACKGROUND

15           An ink-printed substrate web is broadly used in various consumer products. For example, in personal care products such as disposable garments, it is often desired to provide graphic designs printed with an ink on the outside of the disposable garment to enhance the aesthetic appearance and the consumer acceptance and to make the diaper look more like a  
20           conventional baby garment. For this purpose, an ink-printed substrate web is used for the outermost layer of the disposable garment which could be a polymeric film or a nonwoven fibrous web. One problem of the ink-printed substrate web is poor ink rub-off resistance. Ink rub-off is typically caused by abrasion of the ink with other substances such as clothes of the wearer of a  
25           disposable garment, a carpet on the floor or the like. One method of solving this problem is to print the graphics on an inner substrate web such as a film or a nonwoven to be covered by an outer substrate web. As the printed surface of the inner substrate web is covered with the outer substrate web, the printed graphic on the inner substrate web does not get abraded directly  
30           with other contacting substrates and ink rub-off does not occur. While the substrate web covering the printed surface of the inner substrate web contributes to reduce the abrasion of the printed surface, the outer substrate web tends to hide the graphics printed on the inner substrate web to make the graphics to have hazy appearance. The fibers in a nonwoven if a nonwoven  
35           is used for the outer substrate web appear very distinctively on the printed graphics when covering a dark colored graphics. This also limits the vivid

color expression of the graphic. Yet another way of circumventing the problem of ink rub-off is to put the printed surface inside and the non-printed surface outside such that the printed surface is not abraded. In this case, however, the substrate web itself printed with the graphics tends to hide the graphics. Thus, there is a need for an ink-printed substrate web having an ink-printed surface which can be exposed to abrasion, yet exhibiting good ink rub-off resistance.

Attempts have been made to improve ink rub-off resistance on a substrate web, e.g., in U.S. Patent No. 5,458,590 issued on October 17, 1995 to Schleintz et al. titled "INK-PRINTED, LOW BASIS WEIGHT NONWOVEN FIBROUS WEBS AND METHOD", U.S. Patent No. 5,695,855 issued on December 9, 1997 to Yeo et al. titled "DURABLE ADHESIVE-BASED INK-PRINTED POLYOLEFIN NONWOVENS", and U.S. Patent No. 5,853,859 issued on December 29, 1998 to Levy et al. titled "ROOM TEMPERATURE LATEX PRINTING". However, none of the existing arts provided all of the advantages and benefits of the present invention.

### SUMMARY

The present invention is directed to an ink-printed substrate web exhibiting ink rub-off resistance. The substrate web is printed with an ink composition to form an ink film on the substrate web. The ink-printed substrate web is coated with a coating composition to form a coating film on the ink film. At least one of the ink composition and the coating composition forms a cross-linked structure within the film thereof and forms a cross-linked structure with the other composition between the ink film and the coating film. The present invention is also directed to a disposable absorbent article comprising such an ink-printed substrate web.

The present invention is further directed to an ink-printed substrate web exhibiting ink rub-off resistance. The substrate web is printed with an ink composition to form an ink film on the substrate web. The ink-printed substrate web is coated with a coating composition to form a coating film on the ink film. The ink composition forms a cross-linked structure within the ink film. The coating composition forms a cross-linked structure within the coating film. The present invention is also directed to a disposable absorbent article comprising such an ink-printed substrate web.

The present invention is further directed to an ink-printed substrate web exhibiting ink rub-off resistance. The substrate web is printed with an ink composition to form an ink film on the substrate web. The ink-printed substrate web is coated with a coating composition to form a coating film on the ink film. An ink rub-off amount of an ink-printed area of the ink-printed substrate web is not more than about 0.05 mg/cm<sup>2</sup>.

The present invention is further directed to a method for making an ink-printed substrate web exhibiting ink rub-off resistance. The substrate web is printed with an ink composition to form an ink film on the substrate web. The ink-printed substrate web is coated with a coating composition to form a coating film on the ink film. The ink composition comprises a first binder polymer. The coating composition comprises a second binder polymer and a second hardener. The second hardener forms a cross-linked structure with the second binder polymer within the coating film and forms a cross-linked structure with the first binder polymer between the ink film and the coating film. The method comprises the steps of: providing a substrate web having two opposed surfaces; printing the substrate web with an ink composition to form the ink film on the substrate web; mixing the second binder polymer and the second hardener prior to coating; coating an ink-printed area of the substrate web with a coating composition to form a coating film on the ink film; and curing the coating composition to form a cross-linked structure within the coating film and between the ink film and the coating film.

The present invention is further directed to a method for making an ink-printed substrate web exhibiting ink rub-off resistance. The substrate web is printed with an ink composition to form an ink film on the substrate web. The ink-printed substrate web is coated with a coating composition to form a coating film on the ink film. The ink composition comprises a first binder polymer and a first hardener. The coating composition comprises a second binder polymer. The first hardener forms a cross-linked structure with the first binder polymer within the ink film and forms a cross-linked structure with the second binder polymer between the ink film and the coating film. The method comprises the steps of: providing a substrate web having two opposed surfaces; mixing the first binder polymer and the first hardener prior to printing; printing the substrate web with an ink composition to form the ink film on the substrate web; coating an ink-printed area of the substrate web with a coating composition to form a coating film on the ink film; and curing the ink

composition to form a cross-linked structure within the ink film and between the ink film and the coating film.

The present invention is further directed to a method for making an ink-printed substrate web exhibiting ink rub-off resistance. The substrate web is printed with an ink composition to form an ink film on the substrate web. The ink-printed substrate web is coated with a coating composition to form a coating film on the ink film. The ink composition comprises a first binder polymer and a first hardener. The coating composition comprises a second binder polymer and a second hardener. The first hardener forms a cross-linked structure with the first binder polymer within the ink film. The second hardener forms a cross-linked structure with the second binder polymer within the ink film. The method comprises the steps of: providing a substrate web having two opposed surfaces, mixing the first binder polymer and the first hardener prior to printing; printing the substrate web with an ink composition to form the ink film on the substrate web; mixing the second binder polymer and the second hardener prior to coating; coating an ink-printed area of the substrate web with a coating composition to form a coating film on the ink film; and curing the ink composition and the coating composition to form a cross-linked structure within the ink film and the coating film respectively.

The present invention is further directed to a disposable absorbent article comprising a liquid permeable topsheet, a liquid impermeable backsheet and an absorbent core therebetween. The backsheet comprises a laminate comprising an ink-printed nonwoven and a liquid impermeable breathable sheet. A moisture vapor transmission rate of the laminate of the ink-printed nonwoven and a microporous film in a maximum ink-printed portion is not less than about 50 % of a moisture vapor transmission rate of the laminate before being printed.

The present invention is further directed to a disposable absorbent article comprising a liquid permeable topsheet, a liquid impermeable backsheet and an absorbent core therebetween. The backsheet comprises an ink-printed nonwoven. An average bending force value of an ink-printed area of the ink-printed nonwoven is not more than about 50 mgf • cm<sup>2</sup>/cm.

The present invention is further directed to a disposable absorbent article comprising a liquid permeable topsheet, a liquid impermeable backsheet and an absorbent core therebetween. The backsheet comprises

an ink-printed nonwoven. An average Fuzz Level of an ink-printed area of the ink-printed nonwoven is not more than about  $0.25 \text{ mg/cm}^2$ .

5 The present invention is further directed to a disposable absorbent article comprising a liquid permeable topsheet, a liquid impermeable backsheet and an absorbent core therebetween. The backsheet comprises an ink-printed nonwoven. An ink rub-off amount of an ink-printed area of the ink-printed nonwoven is not more than about  $0.05 \text{ mg/cm}^2$ .

10 The present invention is further directed to a disposable absorbent article comprising a liquid permeable topsheet, a liquid impermeable backsheet and an absorbent core therebetween. The backsheet comprises a laminate comprising an ink-printed nonwoven and a liquid impermeable breathable sheet. A moisture vapor transmission rate of the laminate of the ink-printed nonwoven and a microporous film in a maximum ink-printed portion is not less than about 50 % of a moisture vapor transmission rate of the laminate before being printed. An average bending force value of an ink-printed area of the ink-printed nonwoven is not more than about  $50 \text{ mgf} \cdot \text{cm}^2/\text{cm}$ .

15 The present invention is further directed to a disposable absorbent article comprising a liquid permeable topsheet, a liquid impermeable backsheet and an absorbent core therebetween. The backsheet comprises a laminate comprising an ink-printed nonwoven and a liquid impermeable breathable sheet. A moisture vapor transmission rate of the laminate of the ink-printed nonwoven and a microporous film in a maximum ink-printed portion is not less than about 50 % of a moisture vapor transmission rate of the laminate before being printed. An average Fuzz Level of an ink-printed area of the ink-printed nonwoven is not more than about  $0.25 \text{ mg/cm}^2$ .

20 The present invention is further directed to a disposable absorbent article comprising a liquid permeable topsheet, a liquid impermeable backsheet and an absorbent core therebetween. The backsheet comprises a laminate comprising an ink-printed nonwoven and a liquid impermeable breathable sheet. A moisture vapor transmission rate of the laminate of the ink-printed nonwoven and a microporous film in a maximum ink-printed portion is not less than about 50 % of a moisture vapor transmission rate of the laminate before being printed. An ink rub-off amount of an ink-printed area of the ink-printed nonwoven is not more than about  $0.05 \text{ mg/cm}^2$ .

These and other features, aspects, and advantages of the invention will become evident to those skilled in the art from a reading of the present disclosure.

5

### BRIEF DESCRIPTION OF THE DRAWINGS

While the specification concludes with claims particularly pointing out and distinctly claiming the invention, it is believed that the present invention will be better understood from the following description of preferred embodiments taken in conjunction with the accompanying drawings in which:

10 FIG. 1 is a back view of one embodiment of a disposable pull-on diaper having an ink-printed substrate web with exemplary graphics;

FIG. 2 is a simplified plan view of the pull-on diaper of FIG. 1 in its flat, uncontracted state prior to formation;

15 FIGS. 3 and 4 are schematic diagrams of the bending property measurement;

FIG. 5 is a graph showing the bending hysteresis curve; and

FIG. 6 is a schematic diagram explaining the fuzz level measurement.

### DETAILED DESCRIPTION

20 All references cited herein are incorporated herein by reference in their entireties. Citation of any reference is not an admission regarding any determination as to its availability as prior art to the claimed invention.

All percentages herein are by weight of compositions unless specifically stated otherwise. All ratios are weight ratios unless specifically  
25 stated otherwise. As used herein, the term "comprising" means that other steps and other ingredients which do not affect the end result can be added. This term encompasses the terms "consisting of" and "consisting essentially of."

The ink-printed substrate web of the present invention exhibits  
30 improved rub-off resistance. The ink-printed substrate web is preferably used for a consumer products, such as personal care products including disposable absorbent articles. As used herein, the term "absorbent article" refers to devices which absorb and contain body exudates, and, more specifically, refers to devices which are placed against or in proximity to the  
35 body of the wearer to absorb and contain the various exudates discharged from the body. The term "disposable" is used herein to describe absorbent

articles which are not intended to be laundered or otherwise restored or reused as an absorbent article (i.e., they are intended to be discarded after a single use and, preferably, to be recycled, composted or otherwise disposed of in an environmentally compatible manner). The disposable absorbent  
5 article could include, but not limited to, a diaper for infants, a diaper for adult incontinent persons, incontinence briefs, incontinence garments, diaper holders and liners, feminine hygiene garments, training pants, and the like. Further, the ink-printed substrate web of the present invention may be used for any type of consumer products.

10 The ink-printed substrate web should have excellent ink rub-off resistance. An ink-printed substrate web with poor ink rub-off resistance is problematic because the removal of the ink from the printed substrate web contributes to a deterioration in the quality of the ink-printed graphics on the substrate web or a transfer of the ink from the ink-printed substrate to other  
15 substrates. As used herein, "ink" refers to any liquid composition or components thereof applied onto the substrate web and which remains thereon in a visible pattern even though components of the ink may evaporate. The term "rub-off" refers to the transfer of color from the surface of a printed substrate web. Ink rub-off is typically due to abrasion. Abrasion  
20 refers to the ability to remove ink from a substrate web by mechanically scuffing the ink from the surface of the substrate web.

Ink rub-off can be a problem especially when printed on polyolefin polymer based substrate web such as a nonwoven made of polyolefin fibers. Polyolefin homo-polymers such as polypropylene, polyethylene have very low  
25 surface energy as compared to conventional substrates like cellulose, nylon or poly (ethylene terephthalate). This makes the ink composition difficult to adhere to the surface of the polyolefin polymer based substrate web. Further, unmodified homopolymer polyolefin polymers such as polypropylene and polyethylene do not have any chemical reactive site for the ink composition to  
30 anchor with the polymer. Thus, unmodified polyolefin polymer based substrate web typically provides insufficient binding force for an ink composition to resist the friction applied to the ink-printed substrate web due to its inherently poor surface energy and/or chemical structure while the polyolefin polymer based substrate web is beneficial in several aspects  
35 compared with other commercial polymers, such as cost, processability into a form of fibers or films, or softness in the form of fibers or films. While



polyolefin polymers can be modified to have a reactive site through copolymerization, radiation grafting or the like, these polymers are not commercially available yet.

Another aspect causing ink rub-off problem can be an ink itself. Typically, an ink composition comprises a coloring agent, a binder polymer, a solvent and other additives. The coloring agent such as a pigment is dispersed in a binder polymer dissolved in a solvent. The ink composition forms an ink film on the substrate web which in turn consists of several sub-layers of resin mixed with pigment. If the binding between these sub-layers is insufficient to bind each sublayers, these sublayers get removed gradually during abrasive contact with other substrates. Thus, the poor binding between the sub-layers of the ink film also contributes to the poor rub-off resistance of the ink on the substrate web.

The ink-printed substrate web of the present invention comprises three key elements; a substrate web to be printed, an ink composition used for printing the substrate web, and a coating composition used for coating the printed ink. The substrate web may be applied with a corona discharging treatment prior to printing the ink composition on the substrate web to raise a surface energy of the substrate web. The ink composition is used to print the substrate web and to form an ink film layer on the substrate web. The coating composition is used to coat the ink-printed area of the substrate web and to form a coating film layer on the ink film. The coating film is preferably a transparent such that the ink film layer is visible through the coating film. However, the coating film may be translucent as far as the ink film layer is visible. Herein, the term "ink film" or "ink film layer" refers to a solid ink film structure which is left behind by evaporating a solvent in the ink composition. The term "coating film" or "coating film layer" refers to a solid coating film structure which is left behind by evaporating a solvent in the ink composition.

The ink composition comprises a first binder polymer and a first hardener, and the first binder polymer and the first hardener form a cross-linked structure within the ink film layer such that the binding between each sublayer of the ink film improves. The coating composition comprises a second binder polymer and a second hardener and the second binder polymer and the second hardener form a cross-linked structure within the coating film layer such that the binding between each sublayer of the coating film improves. The term "sublayer" refers to the thinnest unit of the film layer

which contain all the ingredients of the film layer as a whole. The first binder polymer of the ink composition may form a cross-linked structure with the second hardener of the coating composition such that the cross-linked structure is formed between the ink film and the coating film to strengthen the binding therebetween. Alternatively, the second binder polymer of the coating composition may form a cross-linked structure with the first hardener of the ink composition such that the cross-linked structure is formed between the ink film and the coating film to strengthen the binding therebetween. Preferably, the first binder polymer of the ink composition forms a cross-linked structure with the second hardener of the coating composition and the second binder polymer of the coating composition may form a cross-linked structure with the first hardener of the ink composition. Most preferably, the first binder polymer of the ink composition forms a cross-linked structure with the first hardener of the ink composition and with the second hardener of the coating composition and the second binder polymer of the coating composition forms a cross-linked structure with the first hardener of the ink composition and with the second hardener of the coating composition. When the ink composition comprises the first binder polymer and the first hardener and the first hardener can form a cross-linked structure with the second binder polymer of the coating composition, the coating composition may not necessarily contain the second hardener. Alternatively, when the coating composition comprises the second binder polymer and the second hardener and the second hardener can form a cross-linked structure with the first binder polymer of the ink composition, the ink composition may not necessarily contain the first hardener. If either composition lacks a hardener, the coating layer preferably comprises a binder polymer and a hardener while the ink composition comprises a binder polymer without a hardener because the coating film faces outside of the substrate web and should be tough to resist abrasion. As far as a binder polymer and a hardener can form a cross-linked structure, any type of binder polymer and any type of hardener may be used. Further, the first binder polymer and the first hardener may be the same as the second binder polymer and the second hardener respectively.

The substrate web to be printed with an ink composition may include any type of substrate, such as a nonwoven, a woven fabric, a film, or a laminate comprising thereof. In one embodiment, the substrate web to be printed with an ink composition may be a nonwoven web which may be used

for consumer products such as an outermost layer of disposable absorbent articles. The ink-printed nonwoven web is preferable for the use of the outermost layer of disposable absorbent articles to provide a cloth-like feeling and aesthetically appealing appearance. Preferably, the ink-printed surface of the nonwoven web is exposed outside of disposable absorbent articles. The ink-printed nonwoven may be laminated with a liquid impermeable film comprising a polymeric film which serves as a barrier to liquid in disposable absorbent articles. The ink-printed nonwoven may be laminated outside of the polymeric film such that the ink-printed surface is exposed outside of disposable absorbent articles. Alternatively, the ink-printed nonwoven may be laminated outside of the polymeric film such that the ink-printed surface comes in contact with the polymeric film. If the ink-printed nonwoven has liquid impermeability or is treated to be liquid impermeable, the ink-printed liquid impermeable nonwoven may be used for a liquid impermeable barrier of disposable absorbent articles without requiring an additional polymeric film. The substrate web to be printed with an ink may be selected depending on the purpose of the use in consumer products. Exemplary substrate webs are a multi-layered nonwoven, a stretchable nonwoven, a liquid impermeable polymeric film, a liquid permeable polymeric film, a vapor permeable polymeric film, a vapor impermeable polymeric film, a stretchable film, a multi-layered film, a laminate comprising a nonwoven and a polymeric film, a woven fabric, or the like. A nonwoven web is particularly preferable for use of consumer products such as an absorbent article.

The nonwoven web may comprise any type of fibers such as natural fibers (e.g., wood or cotton fibers), synthetic fibers (e.g., polyolefins, polyamides, polyester fibers), or a combination of natural and/or synthetic fibers. The fibers may have any shape such as a circular cross section shape or a non-circular cross section shape, preferably a non-circular cross section shape. The fiber denier can be any of range depending up on the end use. Polyolefin polymer based nonwoven is beneficial in several reasons such as cost, processability into a form of fibers, or softness in the form of fibers.

The nonwoven web can be made by any known methods. It may be made by bonding of web-like arrays of fibers or filaments. The web may be made from fibers of discrete length ranging from few millimeter to few meters by carding or wet or air laying process or they may be produced by laying or blowing filaments as they are being melt extruded. The fabrics made by

these latter process are commonly known as spunbonded or spunlaid and melt-blown nonwoven webs. A spunbonded nonwoven web may be defined generically as continuous filament fibrous structures which are made in the form of fabrics, sheets or tapes and are prepared from synthetic polymers in a process integrated with fiber manufacture. A melt-blown nonwoven web is a fibrous structure produced by extruding a polymer melt through a die into a high velocity stream of hot air to produce fine or super fine fibers which are deposited on a moving screen after quenching. A carded nonwoven web are made from webs of carded fibers. The preferred polymer for the production of filaments or fibers for making the nonwoven web is polyolefins such as polyethylene or polypropylene. In one embodiment, a preferred nonwoven web for the use of the outermost layer of disposable absorbent articles may be a spunbonded nonwoven comprising polypropylene fibers with a basis weight of between about 9 g/m<sup>2</sup> and about 110 g/m<sup>2</sup>. An exemplary nonwoven web for the use of the present invention is supplied by Mitsui Chemical in Japan under the designation code of PC-0220 (commercial name : Mitsui Copoly PP Nonwoven 20 gsm).

The poor surface energy of the substrate web is one of the reasons for poor surface adhesion of the ink composition to the substrate web. As mentioned above, unmodified polyolefin polymers have very low surface energy because of their non polar nature. It is very difficult to make an ink or a lacquer bond effectively to the surface of the polyolefin polymer based substrate web. For example the surface energy of freshly made polypropylene based substrate web is in the range of about 29 dynes/cm. For a good surface adhesion of the printing ink, the surface energy of the substrate web is preferably appreciably higher than the printing ink. The substrate web surface energy is preferably about 40 dynes/cm or higher, more preferably about 42 dynes/cm or higher for a solvent-based ink.

The substrate web is processed by a corona discharging treatment to increase the surface energy of plastic substrate web. In corona discharging treatment, electrons are accelerated into the surface of the substrate web causing the polymer molecular chains on the surface of the substrate web to rupture, producing multiplicity of open ends and free valances. The free valances are then able to form carbonyl groups with the oxygen atoms from the ozone created by the electric discharge. This increases the surface energy of the substrate web and improves adhesion to the printing ink.

In the corona discharging treatment, the substrate web is fed into a controlled air-gap between two electrodes, one of which is energized with high voltage electrical field and the other of which is grounded. As high voltage power is applied across the electrode, the air-gap and the substrate, the air in the gap becomes ionized from the acceleration of electrons to form a gaseous conductor comprising corona. The ionized air-gap induces an electron avalanche which in turn creates oxidative molecules such as ozone. The ozone oxidizes the surface of the substrate web and increases the surface energy and surface adhesion. An important factor which needs to be controlled is the extent of polymer chain rupture which occurs during the corona discharging treatment to avoid any adverse effect to the substrate web. For example, when the substrate web is a nonwoven web which is porous, the corona discharging treatment needs to be controlled to avoid any adverse effect on the mechanical integrity of the nonwoven web. A fine optimization of the corona discharging treatment in terms of the treatment power, surface energy and material mechanical integrity needs to be maintained. The corona discharging treatment can be made at corona discharging treatment power of between about  $20 \text{ W} \cdot \text{m}^2 / \text{min.}$  and about  $60 \text{ W} \cdot \text{m}^2 / \text{min.}$ , preferably between about  $40 \text{ W} \cdot \text{m}^2 / \text{min.}$  and about  $60 \text{ W} \cdot \text{m}^2 / \text{min.}$ , more preferably between about  $40 \text{ W} \cdot \text{m}^2 / \text{min.}$  and about  $58 \text{ W} \cdot \text{m}^2 / \text{min.}$ . The corona discharging treatment can be applied by, e.g., Sherman Corona Treater supplied by Sherman Treaters.

The substrate web applied with corona discharging treatment is then processed by a printing process. The printing process may be any known process such as flexographic printing, ink-jet printing, screen printing, or rotogravure printing. Flexographic printing is preferable because of the suitability of the method in printing soft substrates as well as considering the speed of production and cost factors. Flexographic printing process uses a raised printing surface made of a flexible material to transfer an ink image to the substrate web. The flexible surface is able to transfer a good image even to a rough substrate web. The printing may be made in either mono-color or multi-color. A liquid ink is used which may be solvent or water based, and dries mainly by evaporation.

The ink composition comprises two components; a first base component and a first hardening component. The first base component comprises a coloring agent, a binder polymer (first binder polymer), a solvent

and other additives if desired. The first hardening component comprises a hardener (first hardener) and a solvent and other additives if desired. Instead of the first base component, the first hardening component may contain a coloring agent. Alternatively, both first base component and first hardening component may contain a coloring agent. Based upon weight of the total ink composition, suitable addition ranges for the first base component ranges from about 60 % to about 100 %, preferably from about 70 % to about 95 %, more preferably from about 80 % to about 95 %. Based upon weight of the total ink composition, suitable addition ranges for the first hardening component ranges from about 0 % to about 40 %, preferably from about 5 % to about 30 %, more preferably from about 5 % to about 20 %. A suitable first base component and a suitable first hardening component are preferably in the form of a liquid at room temperature (i.e., a temperature of about 20 °C).

The coloring agent of the first base component may be generally termed as pigments which refers to insoluble color matter used in finely dispersed forms. The pigments may be dyes, organic pigments or inorganic pigments. Exemplary organic pigments may include: C.I. Pigment Yellow 1, C.I. Pigment Yellow 3, C.I. Pigment Yellow 13, C.I. Pigment Red 5, C.I. Pigment Red 7, C.I. Pigment Red 12, C.I. Pigment Red 112, C.I. Pigment Red 122, C.I. Pigment Blue 1, C.I. Pigment Blue 2, C.I. Pigment Blue 16, C.I. Vat Blue 4, C.I. Vat Blue 6, or Carbon black. Exemplary inorganic pigments may include: titanium dioxide (e.g., Pigment White 6), carbon black (e.g., Pigment Black 7), iron oxides, ferric oxide black (e.g., Pigment Black 11), chromium oxide, or ferric ammonium ferrocyanide. Exemplary dyes may include: Solvent Yellow 14, Dispersed Yellow 23, Metanil Yellow, Solvent Red 111, Dispersed Violet 1, Solvent Blue 56, Solvent Orange 3, Solvent Green 4, Acid Red 52, Basic Red 1, Solvent Orange 63, or Jet Black. Based upon weight of the total first base component, the suitable addition range for the coloring agent is from about 1 % to about 49 %, preferably from about 3 % to about 30 % more preferably from about 5 % to about 20 %.

The binder polymer of the first base component preferably has at least two or more functional groups (open reactive groups) such as hydroxyl groups which can react with the hardener of the first hardening component to form a high molecular weight cross-linked film of the ink when printed on the substrate. If the binder polymer and the hardener are tri-functional, the resulting cross-linked molecules will have higher molecular weight. The

binder polymer of the first base component may be epoxy, polyols, styrene-butadiene, ethylene vinyl acetates, ethylene vinyl chlorides, acrylates, styrene acrylates, pure phenolics, polyvinyl butyral resin, and mixtures thereof. Epoxy or polyols are preferable. Based upon weight of the total first base component, suitable addition range for the binder polymer is from about 10 %  
5 to about 50 %, preferably from about 10 % to about 40 %, more preferably from about 10 % to about 30 %.

Epoxy resins may be defined as glycidyl ethers of polyhydroxy compounds. Typical polyhydroxy compounds which may be used include  
10 bisphenol A (common name for 4,4'-isopropylidene bisphenol), ring substituted bisphenol A, resorcinol, hydroquinone, phenol-formaldehyde novolac resins, aliphatic diols such as ethylene glycol, propylene glycol, 1,4-butanediol, 1,6 hexanediol glycerol, poly(oxyethylene)glycol, poly(oxypropylene)glycol, linear glycidyl epoxy resins derived from dihydric  
15 phenols, and the like.

Polyols may be any organic hydroxy compound, having a functionality of two or more that is soluble in the solvents employed. Such polyhydroxy compounds can include simple aliphatic polyols, polyether polyols, phenolic resins, and mixtures of these. Exemplary polyols may include polyhydroxy  
20 functional straight or branched chain saturated or unsaturated hydrocarbons, optionally comprising one or more oxy or ester moieties and optionally comprising one or more heterocyclic atoms, aromatic and/or heterocyclic rings, the heterocyclic atom(s) being selected preferably from N, O and S. Suitable polyol reactants include many commercially available materials well  
25 known to the skilled of the art. Preferred chain-extendible, crosslinkable polyols include epoxy-diol adducts which can be provided as the reaction product of a suitable diepoxide with a suitable diol, and polyurethane resin with hydroxyl groups.

The solvent of the first base component may comprise a single  
30 component of solvent, or a mixture solvent comprising two or more components of solvent. The type of the solvent is preferably determined considering the solubility of the binder polymer and/or the drying time of the ink in terms of the printing machinery drying efficiency. Preferably, the solvent used in the first base component is a mixture of solvents. The solvent  
35 system may consist of a mixture of one or more of the following components: water; alcohols such as 2-propanol, 1- propanol, and ethanol; acetates such

as ethyl acetate and propyl acetate, butyl acetate; glycols such as propylene glycol; and glycol ethers such as propylene glycol mono methyl ether.

The ink composition also may contain other additives, such as pH control agents, viscosity modifiers, defoamers, dispersants, printing press hygiene control agents, preservatives, and/or corrosion control agents. Waxes is preferable as an additive to improve the slip properties of ink. Exemplary waxes may include: natural waxes such as carnauba wax, beeswax, Japan wax, shellac wax; petroleum waxes such as slack wax, scale wax, ceresin wax; synthetic waxes such as polyethylene, polytetrafluoroethylene, fatty acid amides. Cellulose nitrate, shellac, silica, etc. can also be added as an additive.

The hardener of the first hardening component forms a cross-linked structure with the binder polymer of the first base component for the ink composition. The ink composition forms an ink film on the substrate web which in turn consists of several sub-layers of resin mixed with pigment. The cross-linked structure contributes to bind each sub-layer such that each sublayer does not get readily removed during abrasive contact with other substrates to improve rub-off resistance of the ink composition. Further, the hardener of the first hardening component preferably forms a cross-linked structure with the binder polymer of the second base component for the coating composition explained hereinbelow to bind the outermost sublayer of the ink composition and the innermost layer of the coating composition which contact to one another. Based upon weight of the total first hardening component, the suitable addition range for the hardener is from 0 % to about 40 %, preferably from about 5 % to about 30 %, more preferably from about 5 % to about 15 %.

The hardener may be a solution polymer consisting of a cationic polyamine-epichlorohydrin polymer, primary diamine curing agent, or polyisocyanate with free isocyanate groups. Primary diamine curing agent is preferably used with the binder polymer consisting of epoxy resins. Polyisocyanate with free isocyanate groups is preferably used with the binder polymer consisting of polyols.

Suitable polyisocyanates may be any organic polyisocyanate having 2 or more NCO groups per molecule. Suitable such polyisocyanates include, for example, 2,4-toluenediisocyanate, 2,6-toluenediisocyanate, hexamethylene diisocyanate, p,p'-diphenylmethanediisocyanate, p-



phenylenediisocyanate, hydrogenated methylene diphenyldiisocyanate, naphthalene diisocyanate, dianisidine diisocyanate, polymethylene polyphenyl-isocyanate, mixtures of one or more polyisocyanates and the like.

5 The solvent of the first hardening component may comprise a single component of solvent, or a mixture solvent comprising two or more components of solvent. The type of the solvent is preferably determined considering the solubility of the hardener and/or the drying time of the ink in terms of the printing machinery drying efficiency. Preferably, the solvent used in the first hardening component is a mixture of solvents. The solvent system  
10 may consist of a mixture of one or more of the following components: water; alcohols such as 2-propanol, 1- propanol, and ethanol; acetates such as ethyl acetate and propyl acetate, butyl acetate; glycols such as propylene glycol; and glycol ethers such as propylene glycol mono methyl ether.

Typically the first base component for the ink composition and the first  
15 hardening component for the ink composition are mixed to form an ink composition prior to printing. Depending on the ink composition, the binder polymer and/or the hardener used, the speed of cross-linking varies. An optimized ink composition should have a pot life ranging from 8-10 hours. After the two components are mixed to form an ink composition, the ink is  
20 printed on the substrate web. The substrate web are then dried to evaporate the solvents of the ink composition. The chemical curing of the printed ink will happen during the aging period under a normal room temperature (i.e., 25 °C). The aging temperature and time to achieve complete curing will vary according to the hardener and ink composition used. The speed of the curing  
25 can also be increased by the use of catalysts. Alternatively, the curing may be performed after the coating composition is applied on the ink composition. Thus, the ink-printing is made on a substrate web. The ink composition forms a film on the substrate web which in turn consists of several sub-layers of resin mixed with pigment. The cross-linked structure of the ink composition  
30 binds each sublayers such that the sublayers are readily not removed during abrasive contact with other substrates.

The ink composition printed on the substrate web is further coated with a coating composition. The coating composition covers the outermost sublayer of the ink composition with some pigments on the surface which  
35 might get rubbed-off during a frictional contact with an abrasive surface. To prevent or at least reduce such rub-off or removal of colored ink from the ink

film on the substrate web, a transparent over print coating is provided to cover the ink composition. The coating composition forms a high molecular weight cross-linked transparent film over the ink film printed on the substrate web. The coating composition forms a high molecular weight cross-linked structure within the coating composition, and preferably forms a cross-linked structure with the ink composition. This will create a secured and strong transparent coating film which protects the ink film sublayers from getting rubbed-off. Further, because the coating composition does not contain any pigments or contains only minimal amount of pigments to maintain the transparency of the coating, the coating composition forms a smooth surface which further reduces the coefficient of friction of the surface of the coating when come in abrasive contact with other surfaces to improve the ink rub-off resistance.

The coating composition comprises two components; a second base component and a second hardening component. The two component system may be the same as that of the ink composition except that the coating composition does not contain a coloring agent in it. The second base component comprises a binder polymer (second binder polymer), a solvent, and other additives if desired. The second hardening component comprises a hardener (second hardener), a solvent, and other additives if desired. The binder polymer of the second base component and the hardener of the second hardening component are selected to form a cross-linked structure within the coating composition. The binder polymer of the second base component is preferably selected to form a cross-linked structure with the hardener of the first hardening component of the ink composition. The hardener for the second hardening component is also preferably selected to form a cross-linked structure with the binder polymer of the first base component of the ink composition. This allows to form a cross-linked structure between the outermost layer of the ink composition and the innermost layer of the coating composition and to provide a binding strength between the ink layer and the coating layer, thereby improving the rub-off resistance of the ink composition. The binder polymer of the second base component may be selected from the component which is chemically similar to, preferably the same as the binder polymer of the first base component for the ink composition. The hardener of the second hardening component for the coating composition may be selected from the component which is chemically similar to, preferably the same as the hardener of the first base

component for the ink composition. Alternatively, the binder polymer and the hardener for the coating composition may be selected from the component which is different from the binder polymer and the hardener for the ink composition. The solvent for the second base component and the second  
5 hardening component may be any type of solvent, preferably similar to, more preferably the same as the solvent for the first base component and the first hardening component for the ink composition, respectively.

Based upon weight of the total second base component, the suitable addition range for the binder polymer is from about 10 % to about 50 %, preferably from about 10 % to about 40 %, more preferably from about 10 %  
10 to about 30 %. Based upon weight of the total second hardening component, the suitable addition range for the hardener is from 0 % to about 40 %, preferably from about 5 % to about 30 %, more preferably from about 5 % to about 15 %.

A preferable example of the two component ink system comprises polyurethane polymer with hydroxyl groups in the chain end as well as in the branches for a binder polymer and polyisocyanate for a hardener. The binder polymer along with a coloring agent and suitable printing additives are dissolved in a suitable solvent mixture to form a first base component. The  
15 hardener is also dissolved in a suitable solvent mixture to form a first hardening component. The first base component and the first hardening component are then mixed prior to printing. The ink composition thus formed is printed on the substrate and over coated with a transparent coating composition which comprises two components. A preferable example of the  
20 two component coating system comprises the same components as the ink composition except that the coating composition does not contain the coloring agent. The printed and over coated substrate is then dried by evaporating the solvent and then aged for cross-linking in the ink composition and the coating composition and between the ink composition and the coating composition.

Referring to FIG. 1, there is shown one embodiment of a consumer product utilizing an ink-printed substrate web with exemplary graphics. FIG. 1 shows a disposable diaper which is a pull-on diaper 50. The pull-on diaper 50 is generally pulled onto the body of the wearer by inserting the legs into the leg openings 62 and pulling the article up over the waist. Alternatively, the  
25 disposable diaper may be a conventional open-type taped diaper with an adhesive tape fastening system and/or a mechanical tape fastening system.

Referring to FIG. 2 as well, the diaper 50 generally comprises a  
backsheet 52, a topsheet 54 and an absorbent layer 66 located between the  
backsheet 52 and the topsheet 54. The topsheet 54 is located to be placed  
facing the body or nearest the body when the diaper is worn and is generally  
5 provided with a liquid permeable region so that body exudates can flow  
through the topsheet 54 to the absorbent layer 66. The backsheet 52, which  
is placed away from the body during wear, is typically liquid impermeable so  
that outer clothing or other articles are not wetted by the body exudates. The  
backsheet 52 comprises a microporous polymer film 53 and a layer of  
10 nonwoven material 55 laminated to the outside of the microporous film 53 in  
which case there is provided a more cloth-like and garment-like feel than is  
typically obtained with a film backsheet only. The backsheet 52 is printed with  
graphics 20. The diaper 50 has elastically extensible side panels 56 provided  
to ensure more comfortable and contouring fit by initially conformably fitting  
15 the pull-on diaper 50 to the wearer and sustaining this fit throughout the time  
of wear well past when it has been loaded with exudates. Leg elastics 58 and  
waist elastic region 60 are also provided to enhance the fit around the legs  
and waist, respectively. The side panels 56 are joined at seams to form a  
waist opening 63 and leg openings 62. As will be understood by those of skill  
20 in the art, many other features for disposable absorbent articles are within the  
scope of the present invention. For example, barrier cuffs as described in  
Lawson and Dragoo U.S. Patents 4,695,278 and 4,795,454 are a desirable  
feature for disposable absorbent articles. In addition, skin care-type  
topsheets that are provided with lotion thereon for the purpose of reducing  
25 skin irritation and chafing are a desirable feature herein.

The graphics 20, 22 are printed on the backsheet 52. Preferably, the  
graphics 20, 22 are printed on the outer surface (garment facing surface) of  
the nonwoven 55 of the backsheet. The nonwoven 55 is preferably applied  
with a corona discharging treatment to raise its surface energy to improve  
30 adhesion of an ink composition to the surface of the nonwoven as described  
above. The nonwoven 55 is then printed with an ink composition and coated  
with a coating composition as described above. Alternatively, the graphics  
20, 22 may be printed on the inner surface (i.e., microporous film facing  
surface) of the nonwoven 55, or may be printed on the outer surface (i.e.,  
35 nonwoven film facing surface) of the microporous film 53.

FIG. 1 shows the back view of the diaper 50 with an exemplary graphic 20 positioned in about the upper region of the nonwoven 55 of the backsheet 52, on the back side of the diaper 50. In FIG. 2, there is shown a simplified plan view of an embodiment of a disposable absorbent article in its flat, uncontracted state prior to formation. In this embodiment, the graphic 20 is shown in the back region of the diaper with graphics 22 additionally shown in the front region. The graphics 20 and 22 are preferably registered to be positioned on the predetermined position of the diaper 50 such that the graphics 20 and 22 appear on the same position on each diaper without significant variation. Each diaper may be printed with the same pattern of the registered graphics. Alternatively, each diaper may be printed with two or more different patterns of the registered graphics. The graphics 20 and/or 22 may be printed with a mono-color ink or multi-color inks. Further, the printing may be made on other portions of the diaper such as a landing zone for a fastening tape, a barrier cuff, a back ear portion, and/or a front ear portion.

Referring to FIG. 2, the topsheet 54 and the backsheet 52 have length and width dimensions generally larger than those of the absorbent core 66. The topsheet 54 and the backsheet 52 extend beyond the edges of the absorbent core 66 to thereby form the periphery of the diaper 50. The topsheet 54, the backsheet 52, and the absorbent core 66 may be assembled in a variety of well known configurations.

The absorbent core 66 may be any absorbent member which is generally compressible, conformable, non-irritating to the wearer's skin, and capable of absorbing and retaining liquids such as urine and other certain body exudates. The absorbent core 66 may be manufactured in a wide variety of sizes and shapes (e.g., rectangular, hourglass, "T"-shaped, asymmetric, etc.) and from a wide variety of liquid-absorbent materials commonly used in disposable diapers and other absorbent articles such as comminuted wood pulp which is generally referred to as airfelt. Examples of other suitable absorbent materials include creped cellulose wadding; chemically stiffened, modified or cross-linked cellulosic fibers; tissue including tissue wraps and tissue laminates; absorbent foams; absorbent sponges; superabsorbent polymers; absorbent gelling materials; or any equivalent material or combinations of materials. The configuration and construction of the absorbent core 66 may vary (e.g., the absorbent core may have varying caliper zones, a hydrophilic gradient, a superabsorbent gradient, or lower

average density and lower average basis weight acquisition zones; or may comprise one or more layers or structures). Further, the size and absorbent capacity of the absorbent core 66 may also be varied to accommodate wearers ranging from infants through adults. However, the total absorbent capacity of the absorbent core 66 should be compatible with the design loading and the intended use of the diaper 50.

The topsheet 54 is preferably positioned adjacent the inner surface of the absorbent core 28 and is preferably joined thereto and to the backsheet 52 by attachment means (not shown) such as those well known in the art. In a preferred embodiment of the present invention, the topsheet 54 and the backsheet 52 are joined directly to each other in the diaper periphery and are indirectly joined together by directly joining them to the absorbent core 66 by any suitable attachment means.

The topsheet 54 is preferably compliant, soft feeling, and non-irritating to the wearer's skin. Further, the topsheet 54 is preferably liquid pervious permitting liquids (e.g., urine) to readily penetrate through its thickness. A suitable topsheet 54 may be manufactured from a wide range of materials such as woven and nonwoven materials; polymeric materials such as apertured formed thermoplastic films, apertured plastic films, and hydroformed thermoplastic films; porous foams; reticulated foams; reticulated thermoplastic films; and thermoplastic scrim. Suitable woven and nonwoven materials can be comprised of natural fibers (e.g., wood or cotton fibers), synthetic fibers (e.g., polymeric fibers such as polyester, polypropylene, or polyethylene fibers) or from a combination of natural and synthetic fibers. The topsheet 54 can be rendered hydrophilic by treating it with a hydrophilic finishing oil or a surfactant. Suitable methods for the treatment for the topsheet 54 include spraying the topsheet 54 material with surfactant and immersing the material into the surfactant. A more detailed discussion of such a treatment and hydrophilicity is contained in U.S. Patent No. 4,988,344 entitled "Absorbent Articles with Multiple Layer Absorbent Layers" issued to Reising, et al. on January 29, 1991 and U.S. Patent No. 4,988,345 entitled "Absorbent Articles with Rapid Acquiring Absorbent Cores" issued to Reising on January 29, 1991, each of which is incorporated by reference herein. Alternatively, the topsheet 24 may be a carded nonwoven material which is formed by fibers treated with hydrophilic finishing oil.

The backsheet 52 is that portion of the diaper 50 which is generally positioned away from the wearer's skin and which prevents the exudates absorbed and contained in the absorbent core 66 from wetting articles which contact the diaper 50 such as bedsheets and garments. Thus, the backsheet 52 is impervious to liquids (e.g., urine) and is preferably manufactured from a thin plastic film, although other soft, flexible liquid impervious materials may also be used. (As used herein, the term "flexible" refers to materials which are compliant and will readily conform to the general shape and contours of the human body.) While the backsheet 52 is impervious to liquids, the backsheet 52 permits moisture to escape from the diaper 50. The backsheet 52 may comprise a breathable microporous film 53 and an outer nonwoven sheet 55.

The microporous film 53 may comprise any known material being moisture pervious and liquid impervious. For example, the microporous film 53 may comprise a breathable microporous film composed of a thermoplastic resin and inorganic fillers dispersed in the thermoplastic resin. Suitable thermoplastic polymers include polyolefins such as polyethylenes, including liner low density polyethylene (LLDPE), low density polyethylene (LDPE), ultra low density polyethylene (ULDPE), high density polyethylene (HDPE), or polypropylene and blends thereof with the above and other materials. The inorganic filler and the thermoplastic polymer are blended together to form a homogeneous mixture in a suitable mixing extruder, or in a separate preliminary compounding step. The mixture is then cast or blown into a film. The obtained film is stretched at least in one direction to impart breathability on the substantially entire area or a portion of the film.

The nonwoven outer sheet 55 may be joined with at least a portion of the garment-facing surface of the microporous film 53. The nonwoven sheet 55 may cover all or substantially all of the garment-facing surface of the microporous film 53, or may cover only discrete predetermined portions. In a preferred embodiment, the nonwoven web of the nonwoven sheet 55 covers all or substantially all of the microporous film 53 in order to provide the diaper with a cloth-like look and feel.

The nonwoven web comprised in the nonwoven sheet 55 may comprise natural fibers (e.g. cotton or wood fibers), or may comprise fibers of polyolefins such as polyethylene and polypropylene, polyester, or any combination of such fibers. Polyolefin fibers are preferable. Further, the

nonwoven may be carded, spunbond, meltblown or air-through bonded or have any other characteristic or be manufactured in any manner known in the art. An especially preferred nonwoven is a spunbonded nonwoven made of 100% polypropylene fibers such as Mitsui Copoly PP nonwoven 20 gsm  
5 (designation code : PC-0220) supplied by Mitsui Chemical in Japan.

A moisture vapor transmission rate of the backsheet is important in reducing the incidence of heat rash and other skin problems associated with high humidity conditions. A moisture permeable substrate web printed with an ink composition typically has less moisture permeability than before being  
10 printed. This is because an ink film layer printed on the substrate web tends to fill the open apertures or micropores formed in the moisture permeable substrate web to close the open apertures or micropores. The reduction of moisture permeability of the substrate web caused by an ink printing is more apparent in the moisture permeable substrate web formed by a microporous  
15 film than by a nonwoven because the size of micropores of a microporous film is much smaller than that of apertures of a nonwoven and get readily closed or narrowed by the ink composition. Therefore, it is preferable to make an ink printing on a nonwoven substrate to secure a required moisture permeability. The ink-printed nonwoven is joined to the microporous film prior to printing or  
20 after printing such that the ink-printed surface is exposed outside and the opposite side of the ink-printed surface faces the microporous film. Such a laminate comprising an ink-printed nonwoven and a microporous film enhances the aesthetic appearance and the consumer acceptance while maintaining a moisture permeability and liquid impermeability.

A preferable uppermost amount of the ink composition applied in the ink-printed area on the nonwoven may be not more than about  $10 \text{ g/m}^2$ , preferably not more than about  $6 \text{ g/m}^2$ , more preferably not more than about  $4 \text{ g/m}^2$ . A preferable lowermost amount of the ink composition applied on the nonwoven may be not less than about  $0.05 \text{ g/m}^2$ , preferably not less than  
30 about  $0.1 \text{ g/m}^2$ , more preferably not less than about  $0.3 \text{ g/m}^2$ . Herein the term "ink-printed area" refers to the area in which the ink composition is applied to a substrate web to make a visible object on the substrate web. The amount of the ink composition is the total amount of the ink compositions applied in the ink-printed area. Namely, if the ink-printed area is printed with a single  
35 color ink composition, the amount is that of the single color ink composition. If the ink-printed area is printed with three different color ink compositions, the



amount is the total amount of each different color ink composition. If the ink-printed area is further coated with a coating composition, a preferable uppermost total amount (basis weight) of the ink-composition and the coating composition may be not more than about 10 g/m<sup>2</sup>, preferably not more than about 6 g/m<sup>2</sup>, more preferably not more than about 4 g/m<sup>2</sup>. A preferable uppermost amount of the coating composition may be not more than 9.95 g/m<sup>2</sup>, preferably not more than about 9.9 g/m<sup>2</sup>, more preferably not more than about 9.7 g/m<sup>2</sup>. In order for the ink-printed nonwoven not to significantly reduce the moisture permeability of the laminate, the amount of the ink composition applied on the nonwoven is not preferably beyond the uppermost amount above. If the ink-printed area is further coated with a coating composition, the total amount of the ink-composition and the coating composition preferably is not preferably beyond the uppermost total amount above.

A moisture vapor transmission rate of the laminate of the ink-printed nonwoven and a microporous film in the maximum ink-printed portion is not less than about 50 %, preferably not less than about 60 %, more preferably not less than about 70 % of a moisture vapor transmission rate of the laminate before being printed. Moisture vapor transmission rate ("MVTR") is a characteristic measure of breathability. MVTR refers to the permissible moisture volume from one side of the substrate web to the other side of the substrate web per area unit (e.g., per square meter) and per time unit (e.g., per one day). The MVTR of a substrate web may be measured by the Cup Test method. This method is described as follows. A known amount of calcium chloride (CaCl<sub>2</sub>) is put into a stainless steel container which is a cylindrical container with a diameter of 30 mm and a depth of 50 mm. The CaCl<sub>2</sub> with water level measurement useful herein may be purchased from Wako Pure Chemical Co., Ltd. A substrate web test sample is placed on the top of the container, and the container is tightly closed with a cap and screws. The cap has a hole through it and thus moisture outside the container can diffuse into the container through the substrate web test sample. The container with the substrate web test sample is then placed in a constant temperature (40°C) and humidity environment (75% relative humidity) for a fixed period of time. The amount of moisture absorbed by the CaCl<sub>2</sub> in the container is a measure of the moisture permeability of the substrate web. A test sample is taken to have a circular shape with the diameter of 4 cm (the

center 3 cm diameter portion is used for measurement and the periphery portion is used to anchor the test sample to equipment for measurement). When a moisture vapor transmission rate of the laminate comprising a nonwoven and a microporous film before being printed is measured, a test sample may be taken from the laminate before an ink printing is made onto the laminate in the manufacturing process. Instead, the laminate before being printed may be represented by a non-printed portion of the laminate assembled into a final product such as an absorbent article. When a moisture vapor transmission rate of the laminate of the ink-printed nonwoven and a microporous film in the maximum ink-printed portion is measured, a test sample is taken from the laminate after an ink printing is made onto the laminate in the manufacturing process. Instead, the test sample may be taken from a final product. Herein, "maximum ink-printed portion" means the portion of the laminate in which the rate of the ink-printed area to the area of a specified area of the substrate web is maximum. The specified area of the substrate web can be defined by the method for measurement. When the moisture vapor transmission rate is measured by the above method, the specified area corresponds to the area of the substrate web for measurement and is the circular portion with the diameter of 3 cm.

A bending force of the ink-printed nonwoven used for, e.g., a backsheet, a side ear panel, a landing zone for a fastening system, or a tape for a fastening system for an absorbent article is important for providing consumers, i.e., caregiver and wearer, with softness and/or flexibility. A portion of the nonwoven printed with an ink composition typically becomes less soft/flexible than before being printed due to the ink composition forming a film layer on the nonwoven which gives some stiffness to the nonwoven. If the ink-printed area is further coated with a coating composition, the softness and/or flexibility of the ink-printed nonwoven further reduces.

In order for the ink-printed nonwoven to have sufficient softness and/or flexibility, the amount of the ink composition applied on the nonwoven is not preferably beyond the uppermost amount above (i.e., the amount of the ink composition is preferably not more than about  $10 \text{ g/m}^2$ , preferably not more than about  $6 \text{ g/m}^2$ , more preferably not more than about  $4 \text{ g/m}^2$ ). If the ink-printed area is further coated with a coating composition, the total amount of the ink-composition and the coating composition preferably is not preferably beyond the uppermost total amount above (i.e., the total amount of the ink

composition and the coating composition is preferably not more than about 10 g/m<sup>2</sup>, preferably not more than about 6 g/m<sup>2</sup>, more preferably not more than about 4 g/m<sup>2</sup>).

5 The ink-printed area of the nonwoven may have an average bending force value of not more than about 50 mgf • cm<sup>2</sup>/cm, preferably not more than about 40 mgf • cm<sup>2</sup>/cm, and more preferably not more than about 35 mgf • cm<sup>2</sup>/cm. The lower limit of the bending force may be determined arbitrarily by the skilled in the art in balance with the requirement of the amount of the ink composition for clear graphics and the total amount of the ink composition and the coating composition. As used herein, "bending force" means the mechanical property defined as the slope of M-K curve shown in FIG. 5. M is bending momentum per unit width and K is curvature. Bending force can be measured by the method described herein below.

15 A bending tester, KES-FB2, Kato Tech. Co Ltd., is used to measure bending force. The deformation mode is a pure bending between the curvature K= -2.5 cm<sup>-1</sup> and 2.5 cm<sup>-1</sup>. The effective dimension for the measurement is 20 cm in length and 1 cm in width (rectangular). Therefore, the test sample is taken to have at least 20 cm in length and 1 cm in width to include the maximum ink-printed portion of the substrate web. In this case, the specified area for determination of the maximum ink-printed portion is 20 cm in length and 1 cm in width. The test sample is bent as shown in FIGS. 3 and 4. The bending rate is 0.5 cm<sup>-1</sup>/sec. As a result, the bending hysteresis curve as shown in FIG. 5 is obtained by the measurement. The horizontal axis shows the curvatures K cm<sup>-1</sup> and the vertical axis shows the bending moment per unit width M (gf • cm/cm). The bending force is calculated as follows:

$$\text{Bending Force} = (B_f + B_b) / 2$$

30 where B<sub>f</sub> and B<sub>b</sub> are the slopes of the hysteresis curves between K = 0.5 cm<sup>-1</sup> and 1.5 cm<sup>-1</sup> and K = -0.5 cm<sup>-1</sup> and -1.5 cm<sup>-1</sup> respectively.

35 Measurements are carried out in the MD and CD directions of the same web test sample. The average bending force is the mean value of the

above bending force obtained from the measurements about the MD and CD directions of the test sample.

A fuzz level of the ink-printed nonwoven used for, e.g., a backsheet, a side ear panel, a landing zone for a fastening system, or a tape for a fastening system for an absorbent article is important for reducing fuzz of fibers on the ink-printed nonwoven. The fuzzy fibers can collect dust into the fuzzy fibers to contaminate the surface of the nonwoven and provide consumers with an impression of poor appearance. Further the ink-printed nonwoven printed with multi-color loses clearness and/or sharpness of the multi-color images due to the fuzzed fibers. Because the ink composition which forms an ink film layer tends to provide binding to the fibers of the nonwoven, the fibers have a reduced tendency to become fuzzy. The ink composition which can form a cross-linked structure is also useful to provide a binding force to the fibers. When the ink composition is further coated with a coating composition which can form a cross-linked structure within the coating composition, the binding force of the fibers becomes high to further reduce the fuzz of the fibers. When the ink composition and the coating composition form a cross-linked structure to each other, the binding force of the fibers is further enhanced.

In order for the ink-printed nonwoven to have a reduced fuzz level, the amount of the ink composition applied on the nonwoven is not preferably below the lowermost amount above (i.e., the amount of the ink composition is preferably not less than about  $0.01 \text{ g/m}^2$ , preferably not less than about  $0.05 \text{ g/m}^2$ , more preferably not less than about  $0.07 \text{ g/m}^2$ ). When the ink composition is not less than these lowermost ranges, it is also possible to provide an aesthetic appearance and a consumer acceptance by the ink-printed graphics.

The ink-printed area of the nonwoven may have a Fuzz Level (FL) of not more than about  $0.25 \text{ mg/cm}^2$ , preferably not more than about  $0.2 \text{ mg/cm}^2$ , and more preferably from about  $0.15 \text{ mg/cm}^2$ . The method for measuring the Fuzz Level of nonwoven webs or layers is explained hereinbelow.

To measure the quantity of untangled fibers that protrude from the surface of the test sample, as shown in FIG. 6, the face of the sample 12 is rubbed against the face of sandpaper 14 for 29 seconds at 0.7 Hz to cut or loose the untangled fibers 16.  $2000 \text{ gf/cm}^2$  of pressure is applied to the

sample 12. An example of the equipment is shown in FIG. 6. The cut fibers produced by this action are collected by a removal tape and quantified with an analytical balance. The fuzz level is defined as the weight of the fibers collected per unit area ( $\text{mg}/\text{cm}^2$ ).

5 An example of equipment available is Sutherland Ink Rub Tester. 2000  $\text{gf}/\text{cm}^2$  of pressure is applied to the test sample. This apparatus abrades a 4 cm x 11 cm piece of test sample with a 15 cm x 5.1 cm piece of sandpaper (Matelite K224 Cloth Sandpaper Grit 320-J, Norton Co., Troy, NY). Therefore, the test sample is taken to have at least 11 cm in length and 4 cm  
10 in width to include the maximum ink-printed portion of the substrate web. In this case, the specified area for determination of the maximum ink-printed portion is 11 cm in length and 4 cm in width. The rub cycle is 20 times at 0.7 cycle/sec. The fibers (fuzz) are removed using two 15 cm x 5.1 cm pieces of removal tape (3M No. 3187 Trans Tape, Cincinnati, OH) from both the  
15 sandpaper and the test sample.

An ink-printed substrate of the present invention such as an ink-printed nonwoven used for, e.g., a backsheet, a side ear panel, a landing zone for a fastening system, or a tape for a fastening system for an absorbent article should have minimal ink rub-off amount during the use of the ink-printed  
20 nonwoven. The ink rub-off amount is not more than  $0.05 \text{ mg}/\text{cm}^2$ , preferably not more than  $0.03 \text{ mg}/\text{cm}^2$ , more preferably not more than  $0.01 \text{ mg}/\text{cm}^2$ .

The ink rub-off amount is measured by using a rubbing procedure and equipment for rubbing as described in Japanese Industrial Standard test method for color fastness to rubbing. The method used is JIS L 0849. There  
25 are two types of apparatus indicated in the method; Rubbing tester I and Rubbing tester II. Rubbing tester II (Gakushin Type) is used herein. The test sample size used for the test is 220 mm length and 30 mm width. The sample should be cut in such a way that the maximum ink-printed portion of the substrate comes in the middle of the sample. It should be ensured that  
30 the maximum ink-print portion comes in contact with the white cotton swatch attached to the rubbing finger when rubbed. The 100 mm x 20 mm area of the test sample which is being rubbed by the white cotton swatch attached to the rubbing finger should contain the maximum ink-printed portion. Therefore, the determination of the maximum ink-printed position is 100 mm x  
35 20 mm. In cases where the specified sample size could not be cut, small size sample can be attached to an un-printed test sample of the same substrate of

the specified test sample size. There are two different procedures indicated in the method; Dry rubbing test and Wet rubbing test. Wet rubbing test is used herein. In Wet rubbing test, the water should be a distilled water.

5 The amount of ink rubbed off to a standard white cotton swatch is measured using UV spectroscopy. First, a known weight of coloring agents such as pigments or colorants corresponding to the colors used for printing is dissolved in a solvent. The solvent needs to be selected in such a way that there is no UV absorption of the solvent in the wavelength range where the coloring agent has the UV absorption. Any solvent which can dissolve the coloring agent and which do not interfere with the UV absorption spectra of the coloring agent can be used. Exemplary solvents used for the current test is N-N dimethylformamide or o-Chlorophenol. The UV absorption spectra of the solution is recorded using a UV spectrophotometer UV-3101PC of Shimadzu Corporation, Japan in the range of 300 nm – 850 nm. The concentration of the solution is adjusted to get spectra with in the measurable range. Second, the ink rubbed off to the cotton swatch area of 20mm x 20 mm is dissolved in the selected solvent by immersing the cotton swatch in the solvent. The swatch should be immersed in the solvent for time period and at a temperature required to dissolve the coloring agent completely from the cotton swatch to the solvent.

15 The UV spectra of the dissolved coloring agent is measured in the range of 300 nm - 850 nm. In the case of multi-colored printing, different absorption range corresponding to the colors used will appear in the spectra. The amount of each coloring agent which is dissolved from the cotton swatch can be estimated by comparing with the spectra of the solution for the known amount of coloring agent. If the UV absorption spectra of the coloring agent solution dissolved from the white cotton swatch gives well defined absorption peaks with well defined base line, the area under these peaks can be compared with the area under peak of the UV absorption spectra of the solution for the known amount of coloring agent. If the peaks are not well defined and if the base line can not be drawn, differential of the spectra can be used to get accurate results. The amount of ink rubbed-off to the white cotton swatch is expressed in terms of weight of the rubbed-off ink per unit area of the white cotton swatch (e.g., mg/cm<sup>2</sup>).

35

### EXAMPLES

The following examples further describe and demonstrate the preferred embodiments within the scope of the present invention. The examples are given solely for the purpose of illustration, and are not to be construed as limitations of the present invention since many variants thereof are possible without departing from its spirit and scope.

#### Example 1

A spunbonded nonwoven web comprising polypropylene fibers with basis weight of 33 g/m<sup>2</sup> is used as a substrate web. It is continuously supplied and applied with corona discharging treatment by Sherman Corona Treater supplied by Sherman Treaters at the corona discharging power of 58W • m<sup>2</sup>/min. An ink composition is a red based ink composition and comprises a first base component and a first hardening component as specified below respectively. The first base component and the first hardening component are mixed prior to printing to form the ink composition. The corona treated nonwoven is printed with the ink composition by using a flexographic printing machinery at a speed of approximately 150 m/min. The amount of the ink composition applied is 1 g/m<sup>2</sup>. A coating composition comprises a second base component and a second hardening component as specified below respectively. The second base component and the second hardening component are mixed prior to coating to form the coating composition. The ink composition printed on the nonwoven web is coated with the coating composition with 2 g/m<sup>2</sup>. The printed and over coated nonwoven is then dried by evaporating the solvent and is then aged at room temperature (i.e., 25 °C) for 24 hours.

#### Ink Composition

First base component	90 %
First hardening component	10 %

First base component		
Binder Polymer	Polyurethane resin	5.0 %
	Polyvinyl butyral resin	7.5 %
Coloring Agent	C.I. Pigment Red 48-3	10.0 %
Solvent	1-propanol	41.6 %
	2-Propanol	1.2 %
	Ethyl acetate	4.7 %
	Propyl acetate	20.5 %
	Ethyl alcohol	2.6 %
Additives	Polyethylene wax	3.3 %
	Cellulose Nitrate	0.6 %
	Shellac	3.0 %

First hardening component		
Hardener	Polyisocyanate	37.5 %
Solvent	Ethyl acetate	62.5 %

Coating Composition

Second base component	90 %
Second hardening component	10 %

5

Second base component		
Binder Polymer	Polyurethane resin	12.5 %
	Polyvinyl butyral resin	8.0 %
Solvent	1-propanol	14.1 %
	2-Propanol	51.4 %
	Ethyl acetate	2.7 %
	Propyl acetate	6.9 %
Additives	Polyethylene wax	3.4 %
	Silica	1.0 %

Second hardening component		
Hardener	Polyisocyanate	37.5 %
Solvent	Ethyl acetate	62.5 %



### Example 2

The spunbonded nonwoven web of Example 1 is printed with a red based ink, a blue based ink and an yellow based ink in its order, and then coated with the coating composition. The red based ink composition is the same as Example 1. The blue based ink composition contains C.I. Pigment Blue 15-4 as a coloring agent instead of C.I. Pigment Red 48-3 of the red based ink composition of Example 1 while the rest of the components of the blue based ink composition is the same as those of the red based ink composition of Example 1. The yellow based ink composition contains C.I. Pigment Yellow 14 as a coloring agent instead of C.I. Pigment Red 48-3 of the red based ink composition of Example 1 while the rest of the components of the yellow based ink composition is the same as those of the red based ink composition of Example 1. The total amount of the three ink compositions applied is 1 g/m<sup>2</sup>. The rest of the conditions are the same as Example 1.

### Example 3

An extrusion laminate of a carded nonwoven comprising polypropylene fibers with 18 g/m<sup>2</sup> and a microporous breathable film comprising liner low density polyethylene and calcium carbonate fillers is used as a substrate web. A mixture of liner low density polyethylene and calcium carbonate fillers is extruded onto a carded nonwoven to form an extrusion laminate. The extrusion laminate is then mechanically stretched to impart breathability in the microporous breathable film. The nonwoven has two surfaces: a film facing surface and an exposed surface opposite to the film facing surface. The printing and coating are made on the exposed surface of the nonwoven. The rest of conditions are the same as Example 2.

### Example 4

A spunbonded nonwoven web comprising polypropylene fibers with basis weight of 33 g/m<sup>2</sup> is used as a substrate web. The nonwoven web is printed with a red based ink, a blue based ink, and a yellow based ink in its order. A red based ink composition comprises a first base component and a first hardening component as specified below

respectively. A blue base ink composition contains C.I. Pigment Blue 15-4 as a coloring agent instead of C.I. Pigment Red 48-3 of the red based ink composition below while the rest of the components of the blue based ink composition is the same as those of the red based ink composition below. The yellow based ink composition contains C.I. Pigment Yellow 14 as a coloring agent instead of C.I. Pigment Red 48-3 of the red based ink composition below while the rest of the components of the yellow based ink composition is the same as those of the red based ink composition below. The first base component and the first hardening component of each of the red, blue, and yellow based inks are mixed prior to printing to form each color of the ink composition respectively. The nonwoven is printed with the ink composition by using a flexographic printing machinery at a speed of approximately 150 m/min. The amount of the three ink compositions applied is 1.5 g/m<sup>2</sup>. A coating composition comprises a second base component and a second hardening component as specified below respectively. The second base component and the second hardening component are mixed prior to coating to form the coating composition. The ink composition printed on the nonwoven web is coated with the coating composition with 4 g/m<sup>2</sup>. The printed and over coated nonwoven is then dried by evaporating the solvent and is then aged at room temperature (i.e., 25 °C) for 24 hours.

Ink Composition

First base component	80 %
First hardening component	20 %

First base component		
Binder Polymer	Polyurethane resin	5.0 %
	Polyvinyl butyral rein	7.5 %
Coloring Agent	C.I. Pigment Red 48-3	10.0 %
Solvent	1-propanol	41.6 %
	2-Propanol	1.2 %
	Ethyl acetate	4.7 %
	Propyl acetate	20.5 %
	Ethyl alcohol	2.6 %
Additives	Polyethylene wax	3.3 %
	Cellulose Nitrate	0.6 %
	Shellac	3.0 %

First hardening component		
Hardener	Polyisocyanate	37.5 %
Solvent	Ethyl acetate	62.5 %

Coating Composition

Second base component	80 %
Second hardening component	20 %

5

Second base component		
Binder Polymer	Polyurethane resin	12.5 %
	Polyvinyl butyral resin	8.0 %
Solvent	1-propanol	14.1 %
	2-Propanol	51.4 %
	Ethyl acetate	2.7 %
	Propyl acetate	6.9 %
Additives	Polyethylene wax	3.4 %
	Silica	1.0 %

Second hardening component		
Hardener	Polyisocyanate	37.5 %
Solvent	Ethyl acetate	62.5 %

Example 5

A spunbonded nonwoven web comprising polypropylene fibers with basis weight of 33 g/m<sup>2</sup> is used as a substrate web. The nonwoven web is printed with a red based ink, a blue based ink, and a yellow based ink in its order. A red based ink composition comprises a first base component as specified below. A blue base ink composition contains C.I. Pigment Blue 15-4 as a coloring agent instead of C.I. Pigment Red 48-3 of the red based ink composition below while the rest of the components of the blue based ink composition is the same as those of the red based ink composition below. The yellow based ink composition contains C.I. Pigment Yellow 14 as a coloring agent instead of C.I. Pigment Red 48-3 of the red based ink composition below while the rest of the components of the yellow based ink composition is the same as those of the red based ink composition below. The nonwoven is printed with the ink composition by using a flexographic printing machinery at a speed of approximately 150 m/min. The amount of the three ink compositions applied is 1 g/m<sup>2</sup>. A coating composition comprises a second base component and a second hardening component as specified below respectively. The second base component and the second hardening component are mixed prior to coating to form the coating composition. The ink composition printed on the nonwoven web is coated with the coating composition with 1.5 g/m<sup>2</sup>. The printed and over coated nonwoven is then dried by evaporating the solvent and is then aged at room temperature (i.e., 25 °C) for 24 hours.

Ink Composition

First base component	100 %
----------------------	-------

First base component		
Binder Polymer	Polyurethane resin	5.0 %
	Polyvinyl butyral rein	7.5 %
Coloring Agent	C.I. Pigment Red 48-3	10.0 %
Solvent	1-propanol	41.6 %
	2-Propanol	1.2 %
	Ethyl acetate	4.7 %
	Propyl acetate	20.5 %
	Ethyl alcohol	2.6 %
Additives	Polyethylene wax	3.3 %
	Cellulose Nitrate	0.6 %
	Shellac	3.0 %

Coating Composition

Second base component	90 %
Second hardening component	10 %

Second base component		
Binder Polymer	Polyurethane resin	12.5 %
	Polyvinyl butyral resin	8.0 %
Solvent	1-propanol	14.1 %
	2-Propanol	51.4 %
	Ethyl acetate	2.7 %
	Propyl acetate	6.9 %
Additives	Polyethylene wax	3.4 %
	Silica	1.0 %

5

Second hardening component		
Hardener	Polyisocyanate	37.5 %
Solvent	Ethyl acetate	62.5 %

Example 6

The nonwoven web of Example 5 is continuously supplied and applied with corona discharging treatment by Sherman Corona Treater supplied

by Sherman Treaters at the corona discharging power of  $58W \cdot m^2/min$ , before being printed with an ink composition. Then the corona treated nonwoven web is printed with an ink composition. The rest of conditions are the same as Example 5.

5

### Example 7

A spunbonded nonwoven web comprising polypropylene fibers with basis weight of  $33 g/m^2$  is used as a substrate web. The nonwoven web is printed with a red based ink, a blue based ink, and a yellow based ink in its order. A red based ink composition comprises a first base component and a first hardening component as specified below respectively. A blue base ink composition contains C.I. Pigment Blue 15-4 as a coloring agent instead of C.I. Pigment Red 48-3 of the red based ink composition below while the rest of the components of the blue based ink composition is the same as those of the red based ink composition below. The yellow based ink composition contains C.I. Pigment Yellow 14 as a coloring agent instead of C.I. Pigment Red 48-3 of the red based ink composition below while the rest of the components of the yellow based ink composition is the same as those of the red based ink composition below. The first base component and the first hardening component of each of the red based, the blue based and the yellow based inks are mixed prior to printing to form each color of the ink composition respectively. The nonwoven is printed with the ink composition by using a flexographic printing machinery at a speed of approximately 150 m/min. The amount of the three ink compositions applied is  $1 g/m^2$ . A coating composition comprises a second base component as specified below respectively. The ink composition printed on the nonwoven web is coated with the coating composition with  $2 g/m^2$ . The printed and over coated nonwoven is then dried by evaporating the solvent and is then aged at room temperature (i.e., 25 °C) for 24 hours.

25  
30

#### Ink Composition

First base component	90 %
First hardening component	10 %

First base component		
Binder Polymer	Polyurethane resin	5.0 %
	Polyvinyl butyral resin	7.5 %
Coloring Agent	C.I. Pigment Red 48-3	10.0 %
Solvent	1-propanol	41.6 %
	2-Propanol	1.2 %
	Ethyl acetate	4.7 %
	Propyl acetate	20.5 %
	Ethyl alcohol	2.6 %
Additives	Polyethylene wax	3.3 %
	Cellulose Nitrate	0.6 %
	Shellac	3.0 %

First hardening component		
Hardener	Polyisocyanate	37.5 %
Solvent	Ethyl acetate	62.5 %

#### Coating Composition

Second base component	100 %
-----------------------	-------

Second base component		
Binder Polymer	Polyurethane resin	12.5 %
	Polyvinyl butyral resin	8.0 %
Solvent	1-propanol	14.1 %
	2-Propanol	51.4 %
	Ethyl acetate	2.7 %
	Propyl acetate	6.9 %
Additives	Polyethylene wax	3.4 %
	Silica	1.0 %

5

#### Example 8

The nonwoven web of Example 7 is continuously supplied and applied with corona discharging treatment by Sherman Corona Treater supplied by Sherman Treaters at the corona discharging power of  $58\text{W} \cdot \text{m}^2/\text{min}$ , before being printed with an ink composition. Then the corona treated

10

nonwoven web is printed with an ink composition. The rest of conditions are the same as Example 7.

#### Example 9

5 A spunbonded nonwoven web comprising polypropylene fibers with basis weight of  $33 \text{ g/m}^2$  is used as a substrate web. It is continuously supplied and applied with corona discharging treatment by Sherman Corona Treater supplied by Sherman Treaters at the corona discharging power of  $58 \text{ W} \cdot \text{m}^2/\text{min}$ . An ink composition is a red based ink  
10 composition and comprises a first base component and a first hardening component as specified below respectively. The first base component and the first hardening component are mixed prior to printing to form the ink composition. The corona treated nonwoven is printed with the ink composition by using a flexographic printing machinery at a speed of  
15 approximately  $150 \text{ m/min}$ . The amount of the ink composition applied is  $2 \text{ g/m}^2$ . A coating composition comprises a second base component and a second hardening component as specified below respectively. The second base component and the second hardening component are mixed prior to coating to form the coating composition. The ink  
20 composition printed on the nonwoven web is coated with the coating composition with  $3 \text{ g/m}^2$ . The printed and over coated nonwoven is then dried by evaporating the solvent and is then aged at room temperature (i.e.,  $25 \text{ }^\circ\text{C}$ ) for 24 hours.

#### Ink Composition

First base component	80 %
First hardening component	20 %

25



First base component		
Binder Polymer	Polyurethane resin	15.5 %
Coloring Agent	C.I. Pigment Red 48-3	10.0 %
Solvent	1-propanol	27.1 %
	2-Propanol	18.2 %
	Ethyl acetate	4.7 %
	Propyl acetate	20.6 %
Additives	Polyethylene wax	3.3 %
	Cellulose Nitrate	0.6 %

First hardening component		
Hardener	Polyisocyanate	37.5 %
Solvent	Ethyl acetate	62.5 %

#### Coating Composition

Second base component	90 %
Second hardening component	10 %

5

Second base component		
Binder Polymer	Polyurethane resin	22.0 %
Solvent	1-propanol	21.1 %
	2-Propanol	27.3 %
	Ethyl acetate	3.7 %
	Propyl acetate	21.3 %
Additives	Polyethylene wax	3.6 %
	Silica	1.0 %

Second hardening component		
Hardener	Polyisocyanate	37.5 %
Solvent	Ethyl acetate	62.5 %

#### Example 10

10 A spunbonded nonwoven web comprising polypropylene fibers with basis weight of 33 g/m<sup>2</sup> is used as a substrate web. It is continuously

supplied and applied with corona discharging treatment by Sherman Corona Treater supplied by Sherman Treaters at the corona discharging power of  $58W \cdot m^2/min$ . An ink composition is a red based ink composition and comprises a first base component and a first hardening component as specified below respectively. The first base component and the first hardening component are mixed prior to printing to form the ink composition. The corona treated nonwoven is printed with the ink composition by using a flexographic printing machinery at a speed of approximately 150 m/min. The amount of the ink composition applied is  $1 g/m^2$ . A coating composition comprises a second base component and a second hardening component as specified below respectively. The second base component and the second hardening component are mixed prior to coating to form the coating composition. The ink composition printed on the nonwoven web is coated with the coating composition with  $1 g/m^2$ . The printed and over coated nonwoven is then dried by evaporating the solvent and is then aged at room temperature (i.e., 25 °C) for 24 hours.

#### Ink Composition

First base component	90 %
First hardening component	10 %

First base component		
Binder Polymer	Polyurethane resin	29.0 %
Coloring Agent	C.I. Pigment Red 48-3	10.0 %
Solvent	1-propanol	11.5 %
	2-Propanol	12.9 %
	Ethyl acetate	12.1 %
	Propyl acetate	9.0 %
	Propylene glycol monomethyl ether	5.7 %
	Propyl glycol	5.0 %
Additives	Polyethylene wax	3.6 %
	Cellulose Nitrate	1.2 %

First hardening component		
Hardener	Polyisocyanate	37.5 %
Solvent	Ethyl acetate	62.5 %

Coating Composition

Second base component	90 %
Second hardening component	10 %

Second base component		
Binder Polymer	Polyurethane resin	32.0 %
Solvent	1-propanol	12.8 %
	2-Propanol	15.4 %
	Ethyl acetate	15.7 %
	Propyl acetate	9.0 %
	Propylene glycol monomethyl ether	5.3 %
	Propyl glycol	5.0 %
Additives	Polyethylene wax	3.6 %
	Silica	1.2 %

5

Second hardening component		
Hardener	Polyisocyanate	37.5 %
Solvent	Ethyl acetate	62.5 %

## WHAT IS CLAIMED IS:

1. An ink-printed substrate web exhibiting ink rub-off resistance, the substrate web being printed with an ink composition to form an ink film on the substrate web, and the ink-printed substrate web being coated with a coating composition to form a coating film on the ink film, wherein at least one of the ink composition and the coating composition forms a cross-linked structure within the film thereof and forms a cross-linked structure with the other composition between the ink film and the coating film.
2. The ink-printed substrate web of Claim 1 wherein one of the ink composition and the coating composition comprises a binder polymer and a hardener to form a cross-linked structure with the binder polymer of the one composition, and the other composition comprises a binder polymer to form a cross-linked structure with the hardener of the one composition.
3. The ink-printed substrate web of Claim 1 wherein the coating composition forms a cross-linked structure within the coating film and forms a cross-linked structure with the ink composition between the ink film and the coating film.
4. The ink-printed substrate web of Claim 3 wherein the ink composition comprises a first binder polymer and a coloring agent, the coating composition comprises a second binder polymer and a second hardener, wherein the second hardener forms a cross-linked structure with the first binder polymer and the second binder polymer.
5. The ink-printed substrate web of Claim 1 wherein the ink composition forms a cross-linked structure within the ink film and forms a cross-linked structure with the coating composition between the ink film and the coating film.
6. The ink-printed substrate web of Claim 5 wherein the ink composition comprises a first binder polymer, a first hardener and a coloring agent, the coating composition comprises a second binder polymer, wherein the first hardener forms a cross-linked structure with the first binder polymer and the second binder polymer.
7. The ink-printed substrate web of Claim 1 wherein the ink composition and the coating composition form a cross-linked structure within the ink

- film and the coating film respectively, the ink composition and the coating composition form a cross-linked structure with the other composition between the ink film and the coating film.
8. The ink-printed substrate web of Claim 7 wherein the ink composition comprises a first binder polymer, a first hardener and a coloring agent, the coating composition comprises a second binder polymer and a second hardener, wherein the first hardener forms a cross-linked structure with the first binder polymer and the second binder polymer, and the second hardener forms a cross-linked structure with the first binder polymer and the second binder polymer.
  9. The ink-printed substrate web of Claim 1 wherein the substrate web is a nonwoven web.
  10. The ink-printed substrate web of Claim 9 wherein the substrate web is a laminate comprising a polymeric film and a nonwoven web laminated on the polymeric film, and the nonwoven web has a film facing surface and an opposed outer surface, and the opposed outer surface is printed with the ink composition.
  11. The ink-printed substrate web of Claim 1 wherein the substrate web is treated with a corona discharging treatment before being printed with the ink composition.
  12. The ink-printed substrate web of Claim 11 wherein the substrate web is a nonwoven web made of polyolefin.
  13. An ink-printed substrate web exhibiting ink rub-off resistance, the substrate web being printed with an ink composition to form an ink film on the substrate web, and the ink-printed substrate web being coated with a coating composition to form a coating film on the ink film, wherein the ink composition forms a cross-linked structure within the ink film, and the coating composition forms a cross-linked structure within the coating film.
  14. The ink-printed substrate web of Claim 13 wherein the ink composition comprises a first binder, a first hardener and a coloring agent, the coating composition comprises a second binder and a second hardener, wherein the first hardener forms a cross-linked structure with the first binder, and the second hardener forms a cross-linked structure with the second binder.

15. The ink-printed substrate web of Claim 14 wherein the substrate web is a nonwoven web.
16. The ink-printed substrate web of Claim 15 wherein the substrate web is treated with a corona discharging treatment before being printed with the ink composition.
17. The ink-printed substrate web of Claim 16 wherein the substrate web is a nonwoven web made of polyolefin.
18. An ink-printed substrate web exhibiting ink rub-off resistance, the substrate web being printed with an ink composition to form an ink film on the substrate web, and the ink-printed substrate web being coated with a coating composition to form a coating film on the ink film, wherein an ink rub-off amount of an ink-printed area of the ink-printed substrate web is not more than about 0.05 mg/cm<sup>2</sup>.
19. The ink-printed substrate web of Claim 18 wherein at least one of the ink composition and the coating composition forms a cross-linked structure within the film thereof and forms a cross-linked structure with the other composition between the ink film and the coating film.
20. The ink-printed substrate web of Claim 18 wherein the ink composition forms a cross-linked structure within the ink film, and the coating composition forms a cross-linked structure within the coating film.
21. A method for making an ink-printed substrate web exhibiting ink rub-off resistance, the substrate web being printed with an ink composition to form an ink film on the substrate web, the ink-printed substrate web being coated with a coating composition to form a coating film on the ink film, the ink composition comprising a first binder polymer, the coating composition comprising a second binder polymer and a second hardener, the second hardener forming a cross-linked structure with the second binder polymer within the coating film and forming a cross-linked structure with the first binder polymer between the ink film and the coating film, the method comprising the steps of: providing a substrate web having two opposed surfaces, printing the substrate web with an ink composition to form the ink film on the substrate web, mixing the second binder polymer and the second hardener prior to coating, coating an ink-printed area of the substrate web with a coating composition to form a coating film on the ink film, and curing the

- coating composition to form a cross-linked structure within the coating film and between the ink film and the coating film.
22. The method for making an ink-printed substrate web of Claim 21 wherein the ink composition further comprises a first hardener, the first hardener forms a cross-linked structure with the first binder polymer within the ink film and forms a cross-linked structure with the second binder polymer between the ink film and the coating film, and the first binder polymer and the first hardener are mixed prior to printing.
  23. The method for making an ink-printed substrate web of Claim 22 wherein the method comprises the step of applying a corona discharging treatment on the substrate web before the printing step.
  24. The method for making an ink-printed substrate web of Claim 23 wherein the substrate web is a nonwoven web made of polyolefin fibers.
  25. The method for making an ink-printed substrate web of Claim 21 wherein the curing step is performed under a room temperature.
  26. A method for making an ink-printed substrate web exhibiting ink rub-off resistance, the substrate web being printed with an ink composition to form an ink film on the substrate web, and the ink-printed substrate web being coated with a coating composition to form a coating film on the ink film, the ink composition comprising a first binder polymer and a first hardener, the coating composition comprising a second binder polymer, the first hardener forming a cross-linked structure with the first binder polymer within the ink film and forming a cross-linked structure with the second binder polymer between the ink film and the coating film, the method comprising the steps of: providing a substrate web having two opposed surfaces, mixing the first binder polymer and the first hardener prior to printing, printing the substrate web with an ink composition to form the ink film on the substrate web, coating an ink-printed area of the substrate web with a coating composition to form a coating film on the ink film, and curing the ink composition to form a cross-linked structure within the ink film and between the ink film and the coating film.
  27. The method for making an ink-printed substrate web of Claim 26 wherein the method comprises the step of applying a corona discharging treatment on the substrate web before the printing step.

28. The method for making an ink-printed substrate web of Claim 27 wherein the substrate web is a nonwoven web made of polyolefin fibers.
29. A method for making an ink-printed substrate web exhibiting ink rub-off resistance, the substrate web being printed with an ink composition to form an ink film on the substrate web, the ink-printed substrate web being coated with a coating composition to form a coating film on the ink film, the ink composition comprising a first binder polymer and a first hardener, the coating composition comprising a second binder polymer and a second hardener, the first hardener forming a cross-linked structure with the first binder polymer within the ink film, the second hardener forming a cross-linked structure with the second binder polymer within the ink film, the method comprising the steps of: providing a substrate web having two opposed surfaces, mixing the first binder polymer and the first hardener prior to printing, printing the substrate web with an ink composition to form the ink film on the substrate web, mixing the second binder polymer and the second hardener prior to coating, coating an ink-printed area of the substrate web with a coating composition to form a coating film on the ink film, and curing the ink composition and the coating composition to form a cross-linked structure within the ink film and the coating film respectively.
30. The method for making an ink-printed substrate web of Claim 29 wherein the method comprises the step of applying a corona discharging treatment on the substrate web before the printing step.
31. The method for making an ink-printed substrate web of Claim 30 wherein the substrate web is a nonwoven web made of polyolefin fibers.
32. A disposable absorbent article comprising the ink-printed substrate web of any of Claim 1 - 20.
33. A disposable absorbent article comprising a liquid permeable topsheet, a liquid impermeable backsheet and an absorbent core therebetween, the backsheet comprising the ink-printed substrate web of any of Claim 1 - 20.
34. The disposable absorbent article of Claim 33 wherein the ink-printed substrate web is an ink-printed nonwoven substrate web having two



- opposed surfaces, at least one of which is printed with the ink composition, wherein the ink-printed surface is exposed outside.
35. The disposable absorbent article of Claim 34 wherein the backsheet comprises the ink-printed nonwoven substrate web and a liquid impermeable sheet, wherein the nonwoven is positioned outside of the liquid impermeable sheet.
  36. A disposable absorbent article comprising a liquid permeable topsheet, a liquid impermeable backsheet and an absorbent core therebetween, the backsheet comprising a laminate comprising an ink-printed nonwoven and a liquid impermeable breathable sheet, wherein a moisture vapor transmission rate of the laminate of the ink-printed nonwoven and a microporous film in a maximum ink-printed portion is not less than about 50 % of a moisture vapor transmission rate of the laminate before being printed.
  37. The disposable absorbent article of Claim 36 wherein a moisture vapor transmission rate of the laminate of the ink-printed nonwoven and a microporous film in the maximum ink-printed portion is not less than about 60 % of a moisture vapor transmission rate of the laminate before being printed.
  38. The disposable absorbent article of Claim 37 wherein a moisture vapor transmission rate of the laminate of the ink-printed nonwoven and a microporous film in the maximum ink-printed portion is not less than about 70 % of a moisture vapor transmission rate of the laminate before being printed.
  39. The disposable absorbent article of Claim 36 wherein the ink-printed nonwoven is printed with an ink composition, wherein an amount of the ink composition applied in an ink-printed area on the nonwoven is not more than about 10 g/m<sup>2</sup>.
  40. The disposable absorbent article of Claim 39 wherein an amount of the ink composition applied in the ink-printed area on the nonwoven is not less than about 0.05 g/m<sup>2</sup>.
  41. The disposable absorbent article of Claim 39 wherein the ink-printed nonwoven is coated with a coating composition wherein the total amount of the ink-composition and the coating composition in the ink-printed area is not more than about 10 g/m<sup>2</sup>.

42. The disposable absorbent article of Claim 36 wherein the nonwoven is printed with the ink composition to form an ink film on the nonwoven, and the ink-printed nonwoven is further coated with a coating composition to form a coating film on the ink film, wherein at least one of the ink composition and the coating composition forms a cross-linked structure within the film thereof and forms a cross-linked structure with the other composition between the ink film and the coating film.
43. The disposable absorbent article of Claim 36 wherein the nonwoven is printed with the ink composition to form an ink film on the nonwoven, and the ink-printed nonwoven is further coated with a coating composition to form a coating film on the ink film, wherein the ink composition forms a cross-linked structure within the ink film, and the coating composition forms a cross-linked structure within the coating film.
44. A disposable absorbent article comprising a liquid permeable topsheet, a liquid impermeable backsheet and an absorbent core therebetween, the backsheet comprising an ink-printed nonwoven, wherein an average bending force value of an ink-printed area of the ink-printed nonwoven is not more than about  $50 \text{ mgf} \cdot \text{cm}^2/\text{cm}$ .
45. The disposable absorbent article of Claim 44 wherein an average bending force value of the ink-printed area of the ink-printed nonwoven is not more than about  $40 \text{ mgf} \cdot \text{cm}^2/\text{cm}$ .
46. The disposable absorbent article of Claim 45 wherein an average bending force value of the ink-printed area of the ink-printed nonwoven is not more than about  $35 \text{ mgf} \cdot \text{cm}^2/\text{cm}$ .
47. The disposable absorbent article of Claim 44 wherein the ink-printed nonwoven is printed with an ink composition, wherein an amount of the ink composition applied in the ink-printed area on the nonwoven is not more than about  $10 \text{ g}/\text{m}^2$ .
48. The disposable absorbent article of Claim 47 wherein an amount of the ink composition applied in the ink-printed area on the nonwoven is not less than about  $0.01 \text{ g}/\text{m}^2$ .
49. The disposable absorbent article of Claim 47 wherein the ink-printed nonwoven is coated with a coating composition wherein the total

- amount of the ink-composition and the coating composition in the ink-printed area is not more than about  $10 \text{ g/m}^2$ .
50. The disposable absorbent article of Claim 44 wherein the nonwoven is printed with the ink composition to form an ink film on the nonwoven, and the ink-printed nonwoven is further coated with a coating composition to form a coating film on the ink film, wherein at least one of the ink composition and the coating composition forms a cross-linked structure within the film thereof and forms a cross-linked structure with the other composition between the ink film and the coating film.
  51. The disposable absorbent article of Claim 44 wherein the nonwoven is printed with the ink composition to form an ink film on the nonwoven, and the ink-printed nonwoven is further coated with a coating composition to form a coating film on the ink film, wherein the ink composition forms a cross-linked structure within the ink film, and the coating composition forms a cross-linked structure within the coating film.
  52. A disposable absorbent article comprising a liquid permeable topsheet, a liquid impermeable backsheet and an absorbent core therebetween, the backsheet comprising an ink-printed nonwoven, wherein an average Fuzz Level of an ink-printed area of the ink-printed nonwoven is not more than about  $0.25 \text{ mg/cm}^2$ .
  53. The disposable absorbent article of Claim 52 wherein an average Fuzz Level of the ink-printed area of the ink-printed nonwoven is not more than about  $0.2 \text{ mg/cm}^2$ .
  54. The disposable absorbent article of Claim 52 wherein an average Fuzz Level of the ink-printed area of the ink-printed nonwoven is not more than about  $0.15 \text{ mg/cm}^2$ .
  55. The disposable absorbent article of Claim 52 wherein the ink-printed nonwoven is printed with an ink composition, wherein an amount of the ink composition applied in the ink-printed area on the nonwoven is not more than about  $10 \text{ g/m}^2$ .
  56. The disposable absorbent article of Claim 55 wherein an amount of the ink composition applied in the ink-printed area on the nonwoven is not less than about  $0.01 \text{ g/m}^2$ .

57. The disposable absorbent article of Claim 55 wherein the ink-printed nonwoven is coated with a coating composition wherein the total amount of the ink-composition and the coating composition in the ink-printed area is not more than about  $10 \text{ g/m}^2$ .
58. The disposable absorbent article of Claim 52 wherein the nonwoven is printed with the ink composition to form an ink film on the nonwoven, and the ink-printed nonwoven is further coated with a coating composition to form a coating film on the ink film, wherein at least one of the ink composition and the coating composition forms a cross-linked structure within the film thereof and forms a cross-linked structure with the other composition between the ink film and the coating film.
59. The disposable absorbent article of Claim 52 wherein the nonwoven is printed with the ink composition to form an ink film on the nonwoven, and the ink-printed nonwoven is further coated with a coating composition to form a coating film on the ink film, wherein the ink composition forms a cross-linked structure within the ink film, and the coating composition forms a cross-linked structure within the coating film.
60. A disposable absorbent article comprising a liquid permeable topsheet, a liquid impermeable backsheet and an absorbent core therebetween, the backsheet comprising an ink-printed nonwoven, wherein an ink rub-off amount of an ink-printed area of the ink-printed nonwoven is not more than about  $0.05 \text{ mg/cm}^2$ .
61. The disposable absorbent article of Claim 60 wherein an ink rub-off amount of the ink-printed area of the ink-printed nonwoven is not more than about  $0.03 \text{ mg/cm}^2$ .
62. The disposable absorbent article of Claim 61 wherein an ink rub-off amount of the ink-printed area of the ink-printed nonwoven is not more than about  $0.01 \text{ mg/cm}^2$ .
63. The disposable absorbent article of Claim 60 wherein the nonwoven is printed with the ink composition to form an ink film on the nonwoven, and the ink-printed nonwoven is further coated with a coating composition to form a coating film on the ink film, wherein at least one of the ink composition and the coating composition forms a cross-linked structure within the film thereof and forms a cross-linked

structure with the other composition between the ink film and the coating film.

64. The disposable absorbent article of Claim 60 wherein the nonwoven is printed with the ink composition to form an ink film on the nonwoven, and the ink-printed nonwoven is further coated with a coating composition to form a coating film on the ink film, wherein the ink composition forms a cross-linked structure within the ink film, and the coating composition forms a cross-linked structure within the coating film.
65. A disposable absorbent article comprising a liquid permeable topsheet, a liquid impermeable backsheet and an absorbent core therebetween, the backsheet comprising a laminate comprising an ink-printed nonwoven and a liquid impermeable breathable sheet, wherein a moisture vapor transmission rate of the laminate of the ink-printed nonwoven and a microporous film in a maximum ink-printed portion is not less than about 50 % of a moisture vapor transmission rate of the laminate before being printed, and an average bending force value of an ink-printed area of the ink-printed nonwoven is not more than about  $50 \text{ mgf} \cdot \text{cm}^2/\text{cm}$ .
66. A disposable absorbent article comprising a liquid permeable topsheet, a liquid impermeable backsheet and an absorbent core therebetween, the backsheet comprising a laminate comprising an ink-printed nonwoven and a liquid impermeable breathable sheet, wherein a moisture vapor transmission rate of the laminate of the ink-printed nonwoven and a microporous film in a maximum ink-printed portion is not less than about 50 % of a moisture vapor transmission rate of the laminate before being printed, and an average Fuzz Level of an ink-printed area of the ink-printed nonwoven is not more than about  $0.25 \text{ mg}/\text{cm}^2$ .
67. A disposable absorbent article comprising a liquid permeable topsheet, a liquid impermeable backsheet and an absorbent core therebetween, the backsheet comprising a laminate comprising an ink-printed nonwoven and a liquid impermeable breathable sheet, wherein a moisture vapor transmission rate of the laminate of the ink-printed nonwoven and a microporous film in a maximum ink-printed portion is not less than about 50 % of a moisture vapor transmission rate of the

laminate before being printed, and an ink rub-off amount of an ink-printed area of the ink-printed nonwoven is not more than about 0.05 mg/cm<sup>2</sup>.

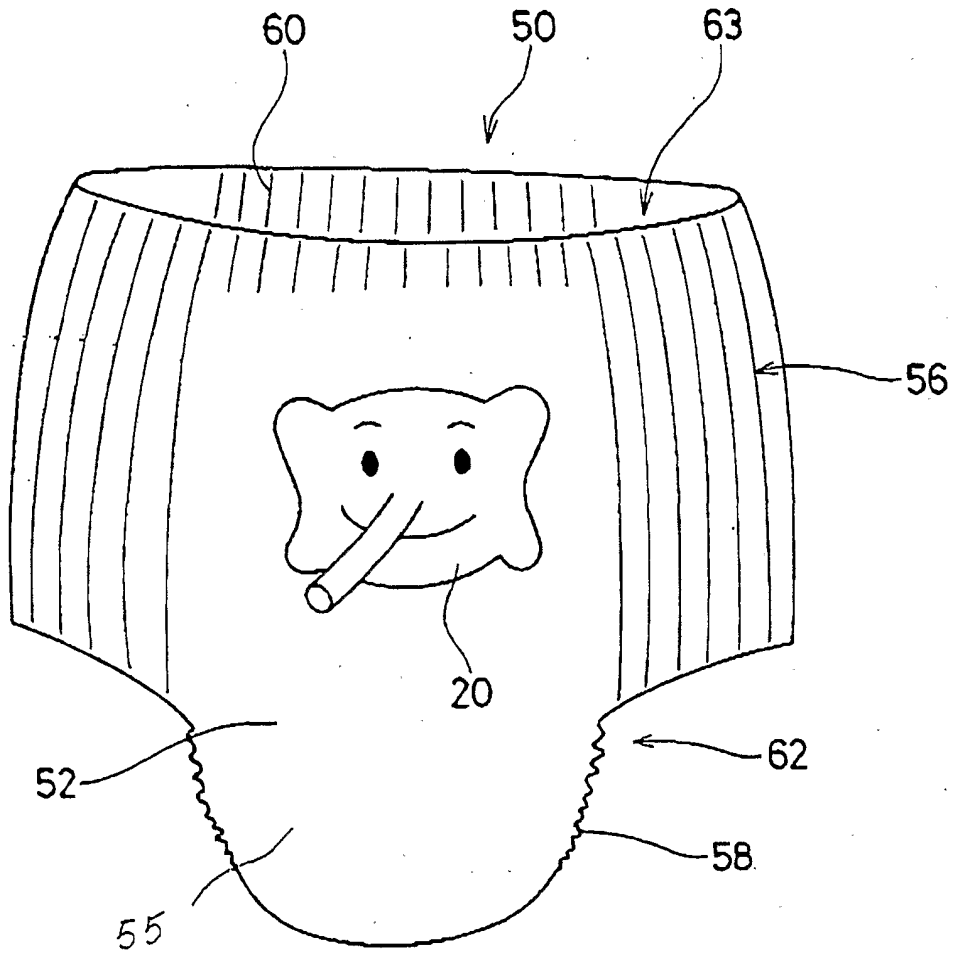


FIG. 1

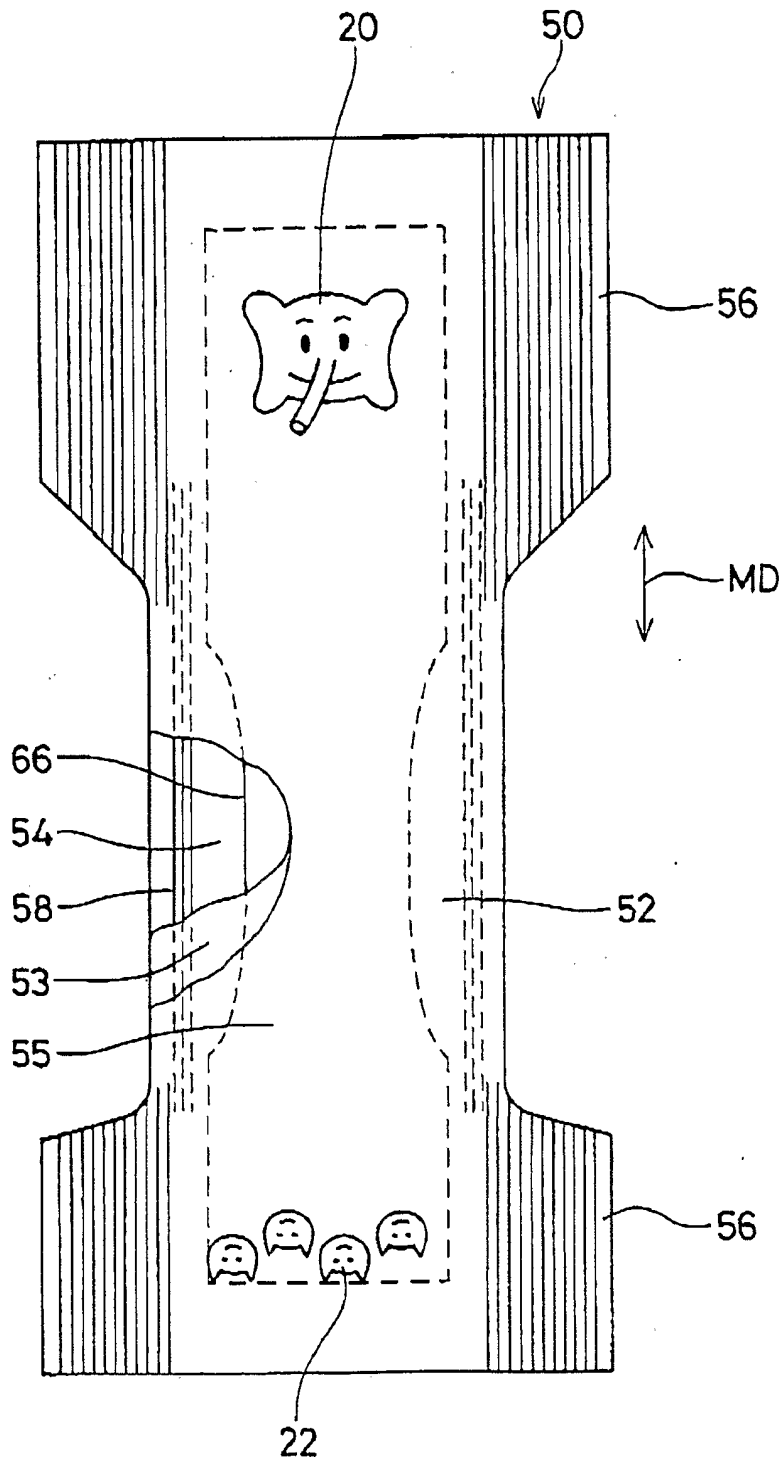


FIG. 2



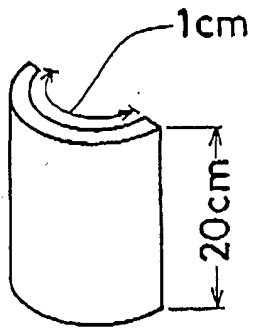


FIG. 3

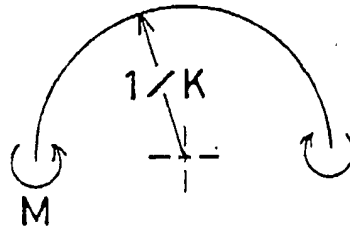


FIG. 4

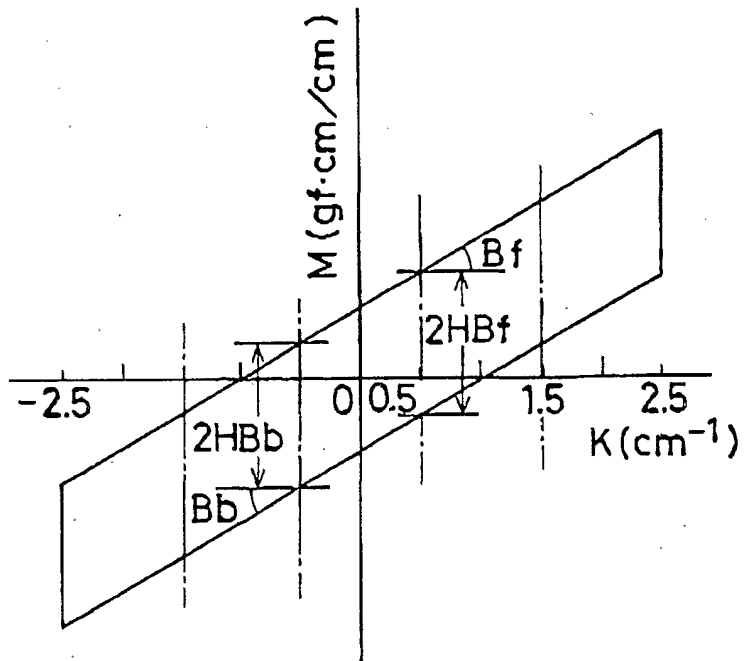


FIG. 5

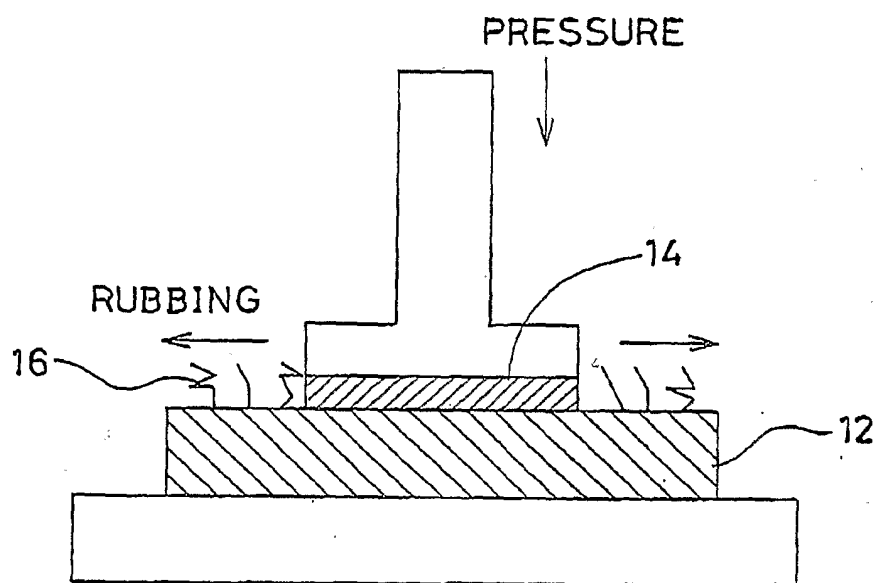


Fig. 6

# INTERNATIONAL SEARCH REPORT

International Application No  
PCT/US 00/34905

**A. CLASSIFICATION OF SUBJECT MATTER**

IPC 7 B41M7/00 D06P5/00 A61F13/15 C09D11/02 C09D11/10

According to International Patent Classification (IPC) or to both national classification and IPC

**B. FIELDS SEARCHED**

Minimum documentation searched (classification system followed by classification symbols)

IPC 7 B41M D06P A61F C09D

Documentation searched other than minimum documentation to the extent that such documents are included in the fields searched

Electronic data base consulted during the international search (name of data base and, where practical, search terms used)

WPI Data, EPO-Internal, PAJ

**C. DOCUMENTS CONSIDERED TO BE RELEVANT**

Category *	Citation of document, with indication, where appropriate, of the relevant passages	Relevant to claim No.
X	US 4 113 895 A (WATT WILLIAM R ET AL) 12 September 1978 (1978-09-12)	1-31
Y	the whole document	32-35, 60-64
Y	WO 99 60973 A (REZAI EBRAHIM ;TAO JIE (JP); PROCTER & GAMBLE (US)) 2 December 1999 (1999-12-02) the whole document	32-35, 60-64
X	US 4 105 806 A (WATT WILLIAM R) 8 August 1978 (1978-08-08)	1-31
A	the whole document	32-35, 60-64

Further documents are listed in the continuation of box C.

Patent family members are listed in annex.

\* Special categories of cited documents :

- \*A\* document defining the general state of the art which is not considered to be of particular relevance
- \*E\* earlier document but published on or after the international filing date
- \*L\* document which may throw doubts on priority claim(s) or which is cited to establish the publication date of another citation or other special reason (as specified)
- \*O\* document referring to an oral disclosure, use, exhibition or other means
- \*P\* document published prior to the international filing date but later than the priority date claimed

- \*T\* later document published after the international filing date or priority date and not in conflict with the application but cited to understand the principle or theory underlying the invention
- \*X\* document of particular relevance; the claimed invention cannot be considered novel or cannot be considered to involve an inventive step when the document is taken alone
- \*Y\* document of particular relevance; the claimed invention cannot be considered to involve an inventive step when the document is combined with one or more other such documents, such combination being obvious to a person skilled in the art.
- \*Z\* document member of the same patent family

Date of the actual completion of the international search

17 August 2001

Date of mailing of the international search report

30/08/2001

Name and mailing address of the ISA

European Patent Office, P.B. 5818 Patentlaan 2  
NL - 2280 HV Rijswijk  
Tel. (+31-70) 340-2040, Tx. 31 651 epo nl,  
Fax: (+31-70) 340-3016

Authorized officer

Markham, R

## FURTHER INFORMATION CONTINUED FROM PCT/ISA/ 210

Continuation of Box I.2

Claims Nos.: 36-59,65-67; part searched 18,60-62

Present claims 18,60-62 and 67 relate to an ink-printed substrate web defined by reference to a desirable characteristic or property, namely that the ink rub-off amount of an ink-printed area of the ink-printed substrate web is not more than about 0.05 mg/cm<sup>2</sup>.

Present claims 36-38,65-67 relate to a disposable absorbent article having a liquid impermeable laminated backsheets comprising an ink-printed nonwoven and a liquid impermeable breathable sheet defined by reference to a desirable characteristic or property, namely that the moisture vapour transmission rate of the backsheet in a maximum ink-printed portion is not less than about 50% of a moisture vapour transmission rate of the laminate before being printed.

Present claims 44-46 and 65 relate to a disposable absorbent article having a liquid impermeable backsheets comprising an ink-printed nonwoven defined by reference to a desirable characteristic or property, namely that the average bending force value of an ink-printed area of the ink-printed nonwoven is not more than about 50 mgf.cm<sup>2</sup>/cm.

Present claims 52-54 and 66 relate to a disposable absorbent article having a liquid impermeable backsheets comprising an ink-printed nonwoven defined by reference to a desirable characteristic or property, namely that the average Fuzz Level of an ink-printed area of the ink-printed nonwoven is not more than about 0.25 mg/cm<sup>2</sup>.

The above claims cover all ink-printed substrate webs or disposable absorbent article having a liquid impermeable backsheets having these characteristics or properties, whereas the application provides support within the meaning of Article 6 PCT and/or disclosure within the meaning of Article 5 PCT for only a very limited number of such ink-printed substrate webs or disposable absorbent article having a liquid impermeable backsheets.

The search for claim 18 has been carried out for those parts of the claim which appear to be clear, supported and disclosed, namely those parts relating to claims 19 and 20, and search for claims 60-62 similarly restricted to claims 63 and 64.

Present claims 36-43 and 65-67 relate to a disposable absorbent article defined as mentioned above by reference to a parametric value (loss of moisture vapour transmission rate), present claims 44-51 and 65 to a disposable absorbent defined as mentioned above by reference to a parametric value (average bending force) and present claims 52-59 and 66 to a disposable absorbent article defined as mentioned above by reference to a parametric value (average Fuzz Level).

The use of each of these parameters in the present context is considered to lead to a further lack of clarity within the meaning of Article 6 PCT. It is impossible to compare the parameters the applicant has chosen to

**FURTHER INFORMATION CONTINUED FROM PCT/ISA/ 210**

employ with what is set out in the prior art. The lack of clarity is such as to render a meaningful complete search of these claims impossible. Furthermore, there appears to be no scope in the description to limit the search for claims 36-59,65-67, and so these claims are not searched at all.

The applicant's attention is drawn to the fact that claims, or parts of claims, relating to inventions in respect of which no international search report has been established need not be the subject of an international preliminary examination (Rule 66.1(e) PCT). The applicant is advised that the EPO policy when acting as an International Preliminary Examining Authority is normally not to carry out a preliminary examination on matter which has not been searched. This is the case irrespective of whether or not the claims are amended following receipt of the search report or during any Chapter II procedure.

# INTERNATIONAL SEARCH REPORT

Information on patent family members

International Application No  
PCT/US 00/34905

Patent document cited in search report	Publication date	Patent family member(s)	Publication date
US 4113895 A	12-09-1978	AU 507630 B	21-02-1980
		AU 3037377 A	17-05-1979
		CA 1074253 A	25-03-1980
		DE 2751612 A	24-05-1978
		FR 2371241 A	16-06-1978
		GB 1554519 A	24-10-1979
		JP 1318895 C	29-05-1986
		JP 53067517 A	16-06-1978
		JP 60040997 B	13-09-1985
WO 9960973 A	02-12-1999	AU 7801498 A	13-12-1999
		EP 1079781 A	07-03-2001
		JP 2000513645 T	17-10-2000
US 4105806 A	08-08-1978	AU 3037477 A	17-05-1979
		DE 2751611 A	24-05-1978
		FR 2371240 A	16-06-1978
		JP 1440434 C	30-05-1988
		JP 53066948 A	14-06-1978
		JP 62047590 B	08-10-1987