



US00D940369S

(12) **United States Design Patent** (10) **Patent No.:** **US D940,369 S**  
**McLennan** (45) **Date of Patent:** **\*\* \*Jan. 4, 2022**

(54) **PORTABLE LIGHT HAVING A MOVABLE HEAD**

5,158,357 A 10/1992 McDermott  
5,191,209 A 3/1993 Rodseth et al.  
D335,715 S 5/1993 Wan

(Continued)

(71) Applicant: **STREAMLIGHT, INC.**, Eagleville, PA (US)

FOREIGN PATENT DOCUMENTS

(72) Inventor: **W. Ross McLennan**, Perkasi, PA (US)

EM 004752129-0001 3/2018  
EM 006620779-0001 7/2019  
EM 007539333-0001 \* 1/2020

(73) Assignee: **Streamlight, Inc.**, Eagleville, PA (US)

OTHER PUBLICATIONS

(\* ) Notice: This patent is subject to a terminal disclaimer.

Sidewinder Boot®\_ Data Sheet [https://www.flashlightdealer.com/document/streamlight/sidewinderboot\\_datasheet.pdf](https://www.flashlightdealer.com/document/streamlight/sidewinderboot_datasheet.pdf) Jan. 23, 2020 (Year: 2020).\*

(\*\*) Term: **15 Years**

(Continued)

(21) Appl. No.: **29/716,897**

(22) Filed: **Dec. 12, 2019**

*Primary Examiner* — Leanne Was-Englehart

(51) **LOC (13) Cl.** ..... **26-02**

(74) *Attorney, Agent, or Firm* — Clement A. Berard, Esq.; Dann, Dorfman, Herrell & Skillman, PC

(52) **U.S. Cl.**

(57) **CLAIM**

USPC ..... **D26/44**

The ornamental design for a portable light having a movable head, substantially as shown and described.

(58) **Field of Classification Search**

**DESCRIPTION**

USPC ..... D26/37–51  
CPC ..... F21L 2003/00; F21L 4/005; F21L 4/025; F21L 4/027; F21L 4/04; F21L 4/08; F21L 13/00; F21L 13/08; F21L 14/02; F21L 19/00; F21L 2/00; F21L 4/00–4/085; F21L 15/00–15/14; F21L 2001/00; F21L 2005/00; F21L 25/00; F21V 9/083; F21V 14/065; H01H 25/065

FIGS. **1, 2, 3** and **4** are four different perspective views of a portable light having a movable head; FIG. **5** is a side view of a first side thereof; FIG. **6** is a side view of a second side thereof; FIG. **7** is a side view of a third side thereof; FIG. **8** is a side view of a fourth side thereof; FIG. **9** is an end view of a first end thereof; and FIG. **10** is an end view of a second end thereof; and, FIGS. **11** and **12** are two perspective views of the portable light having a movable head illustrating examples of alternative positions of the movable head thereof.

See application file for complete search history.

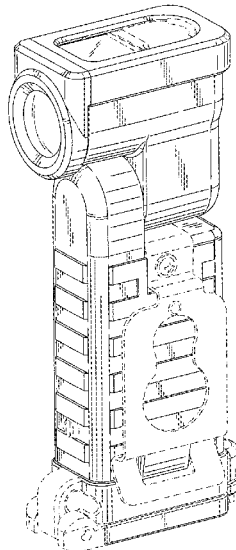
Broken lines in the DRAWING indicate unclaimed parts of the article that are not claimed herein, and that form no part of the claimed design.

(56) **References Cited**

U.S. PATENT DOCUMENTS

D221,895 S 9/1971 Angibaud  
4,228,485 A 10/1980 Hubbard et al.  
4,346,329 A 8/1982 Schmidt  
4,649,323 A 3/1987 Pearlman et al.  
D296,827 S 7/1988 Yuen  
D328,144 S 7/1992 Yuen  
5,133,329 A 7/1992 Rodseth et al.

**1 Claim, 7 Drawing Sheets**



(56)

## References Cited

## U.S. PATENT DOCUMENTS

- 5,248,919 A 9/1993 Hanna et al.  
D349,776 S 8/1994 Yuen  
5,359,779 A 11/1994 Polk  
D355,358 S 2/1995 Starr et al.  
5,418,433 A 5/1995 Nilssen  
D367,087 S 2/1996 Mathews  
D368,145 S 3/1996 Smith  
D378,434 S 3/1997 Petterson  
5,629,105 A 5/1997 Matthews  
5,682,558 A 10/1997 Kirigaya et al.  
5,871,272 A 2/1999 Sharrah et al.  
D407,514 S 3/1999 Yuen  
D410,557 S 6/1999 Petterson  
D413,993 S 9/1999 Yuen  
5,988,828 A 11/1999 Prince  
6,012,824 A 1/2000 Sharrah et al.  
6,024,471 A 2/2000 McDermott  
6,046,572 A 4/2000 Matthews  
D425,642 S 5/2000 Zeller  
6,079,853 A 6/2000 Evans  
6,140,776 A 10/2000 Rachwal  
6,184,930 B1 2/2001 Mitsuhashi et al.  
6,222,138 B1 4/2001 Matthews et al.  
6,239,555 B1 5/2001 Rachwal  
6,249,089 B1 6/2001 Bruwer  
6,250,771 B1 6/2001 Sharrah et al.  
6,296,367 B1 10/2001 Parsons et al.  
6,307,328 B1 10/2001 Ko et al.  
6,388,390 B2 5/2002 Rachwal  
6,443,605 B1 9/2002 Kasboske  
D467,375 S 12/2002 Lynch et al.  
6,523,972 B2 2/2003 Sharrah et al.  
6,621,225 B2 9/2003 Bruwer  
6,650,066 B2 11/2003 Bruwer  
6,659,621 B2 12/2003 Sharrah et al.  
D487,810 S 3/2004 Kingston et al.  
6,817,730 B2 11/2004 Sharrah et al.  
6,841,941 B2 1/2005 Kim et al.  
D505,739 S 5/2005 Hajianpour  
6,913,371 B2 7/2005 Ping  
6,952,084 B2 10/2005 Bruwer  
D512,791 S 12/2005 Ping  
6,984,900 B1 1/2006 Bruwer  
D514,721 S \* 2/2006 Osiecki ..... D26/44  
D516,234 S \* 2/2006 Holsinger ..... D26/37  
D518,213 S 3/2006 Ping  
D536,464 S 2/2007 Kingston  
D537,183 S \* 2/2007 Wang ..... D26/44  
7,229,189 B2 6/2007 Parker  
D548,863 S 8/2007 Shiu  
D549,379 S \* 8/2007 Sharrah ..... D26/60  
D560,297 S 1/2008 Brown et al.  
7,344,270 B2 3/2008 Kim  
D567,418 S 4/2008 Gilbert  
D590,971 S \* 4/2009 Spartano ..... D26/44  
7,549,766 B2 \* 6/2009 Sharrah ..... H01H 25/065  
362/205  
D599,925 S \* 9/2009 Kingston ..... D26/44  
D605,795 S 12/2009 Baker  
D611,629 S 3/2010 Sharrah et al.  
7,731,385 B2 6/2010 Spartano  
D620,161 S 7/2010 Kang  
D663,454 S \* 7/2012 Sham ..... D26/37  
D681,246 S 4/2013 Keeley  
D681,858 S 5/2013 Sharrah  
D703,356 S \* 4/2014 Grandadam ..... D26/44  
8,727,561 B2 5/2014 Sharrah et al.  
D707,869 S \* 6/2014 Wu ..... D26/46  
8,764,217 B2 7/2014 Hao  
8,779,683 B2 7/2014 Snyder  
D713,077 S 9/2014 Hao  
8,833,962 B2 9/2014 Ko  
8,905,573 B2 12/2014 Sharrah  
D728,139 S \* 4/2015 Wang ..... D26/49  
D729,139 S 4/2015 Wang
- D737,487 S \* 8/2015 Beckett ..... D26/38  
D742,569 S \* 11/2015 Dorman ..... D26/45  
D752,263 S \* 3/2016 Keeley ..... F21L 4/04  
D26/44  
D767,184 S \* 9/2016 Fitch ..... D26/44  
9,739,467 B1 8/2017 Lehman  
D816,876 S \* 5/2018 Bao ..... D26/37  
D824,063 S 7/2018 Hutchens  
10,030,847 B2 7/2018 Worman et al.  
D829,354 S 9/2018 Cacciabeve  
D833,661 S 11/2018 Ma  
10,119,663 B2 11/2018 Bayat  
D836,229 S \* 12/2018 Jeon ..... D26/44  
D837,428 S \* 1/2019 Arena ..... D26/44  
10,378,744 B2 8/2019 Arena  
10,400,962 B2 9/2019 Keller  
D866,030 S \* 11/2019 Bao ..... D26/44  
D884,942 S 5/2020 Sharrah  
D907,825 S \* 1/2021 McLennan ..... D26/44  
10,948,139 B2 \* 3/2021 McLennan ..... F21L 4/04  
D921,251 S \* 6/2021 Scholz ..... D26/44  
2002/0021573 A1 2/2002 Zhang  
2002/0097576 A1 7/2002 Sharrah et al.  
2003/0151914 A1 8/2003 Kish  
2004/0217655 A1 11/2004 Bruwer  
2004/0227409 A1 11/2004 Bruwer  
2005/0077837 A1 4/2005 Kim et al.  
2005/0083626 A1 4/2005 Bruwer  
2005/0121980 A1 6/2005 Bruwer  
2005/0122710 A1 6/2005 Kim  
2005/0122712 A1 6/2005 Kim  
2005/0122714 A1 6/2005 Matthews et al.  
2005/0128741 A1 6/2005 Matthews et al.  
2005/0140310 A1 6/2005 Bruwer  
2005/0237737 A1 10/2005 Kim  
2006/0044792 A1 3/2006 Dallas  
2008/0049433 A1 \* 2/2008 Sharrah ..... H03K 17/968  
362/362  
2012/0033415 A1 \* 2/2012 Sharrah ..... F21V 21/08  
362/199  
2012/0182723 A1 7/2012 Sharrah  
2016/0018071 A1 1/2016 Sharrah  
2016/0018090 A1 1/2016 Sharrah  
2020/0224836 A1 \* 7/2020 McLennan ..... F21V 9/083

## OTHER PUBLICATIONS

- SureFire U2 Ultra LED Flashlight (including larger image), © 2001-2005, [http://www.surefire.com/maxexp/main/co\\_disp/disp/prfnbr/24187/sesent/00](http://www.surefire.com/maxexp/main/co_disp/disp/prfnbr/24187/sesent/00), Printed Dec. 1, 2005, 3 pages.  
LED Lights Comparison Chart, [http://www.surefire.com/surefire/content/comparechart\\_LED.html](http://www.surefire.com/surefire/content/comparechart_LED.html), Printed Dec. 5, 2005, 1 page.  
Flashlight Reviews and LED Modifications, FlashlightReviews.com, "In2theLight Trio, 29 LED Flashlight", prior to Sep. 18, 2017 filing date, 7pages.  
Hama, "Walk Light LED photos", prior to Sep. 18, 2017 filing date, 5 pages.  
Streamlight. "Sidewinder® Angle Head Flashlight w/C4® LED Product Fact Sheet", Mar. 31, 2008, 2pgs.  
Streamlight. "Sidewinder® LED Hands Free Light", prior to Sep. 18, 2017 filing date, 2 pages <https://www.streamlight.com/products/detail/index/sidewinder>.  
Streamlight, Inc., "Portable Light Having a Movable Head", Design U.S. Appl. No. 29/676,840, filed Jan. 15, 2019, 30 pages.  
www.jobrien.com: Nebo Cryket 6437 Work Light/Spot Light (250 Lumen). Undated online product page. Retrieved on Sep. 2, 2020, from <[https://www.jobrien.com/nebo-cryket-6437-work-light-spot-light?utm\\_campaign=SC+Shopping++General...</a> \(Year: 2020\).  
www.amazon.com: New Work Flashlight, Magnetic Base Work 10W Flashlight Rechargeable, Handheld Flashlights 360° Rotate., Date uploaded Dec. 15, 2019 \[site visited Sep. 2, 2020\]. Retrieved from internet, <\[https://www.amazon.com/Flashlight-Rechargeable-Flashlights-Inspection-Household/...</a> \\(Year: 20 19\\).\]\(https://www.amazon.com/Flashlight-Rechargeable-Flashlights-Inspection-Household/\)](https://www.jobrien.com/nebo-cryket-6437-work-light-spot-light?utm_campaign=SC+Shopping++General...)

(56)

**References Cited**

OTHER PUBLICATIONS

United States Patent and Trademark Office, "Notice of Allowance and Fees Due", Design U.S. Appl. No. 29/676,840, dated Oct. 28, 2020.

\* cited by examiner

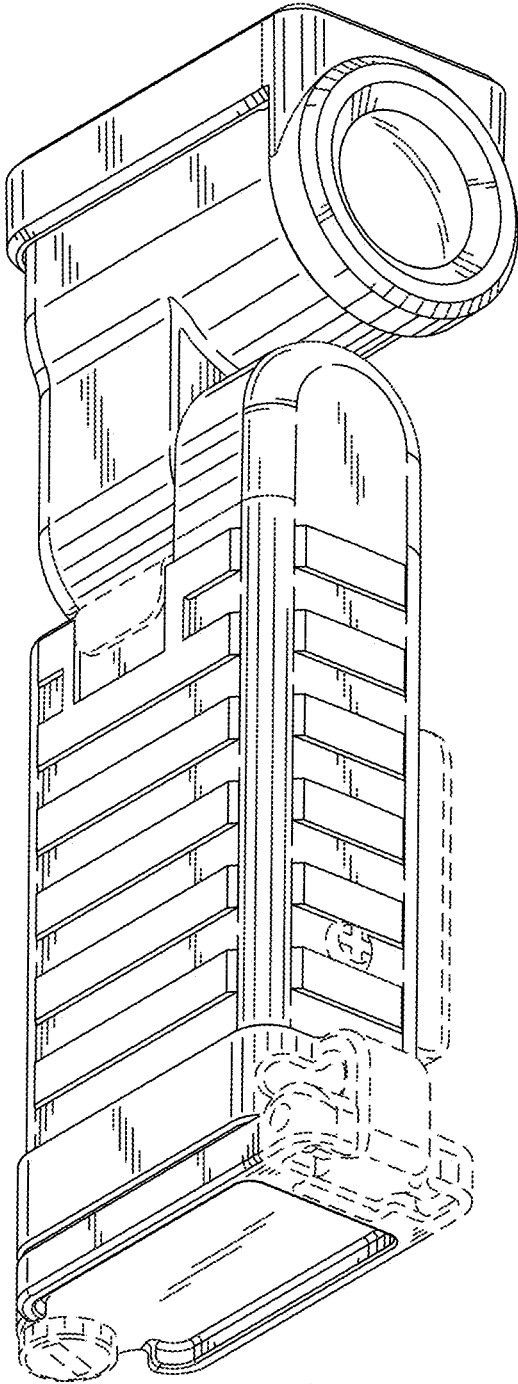


FIG. 1

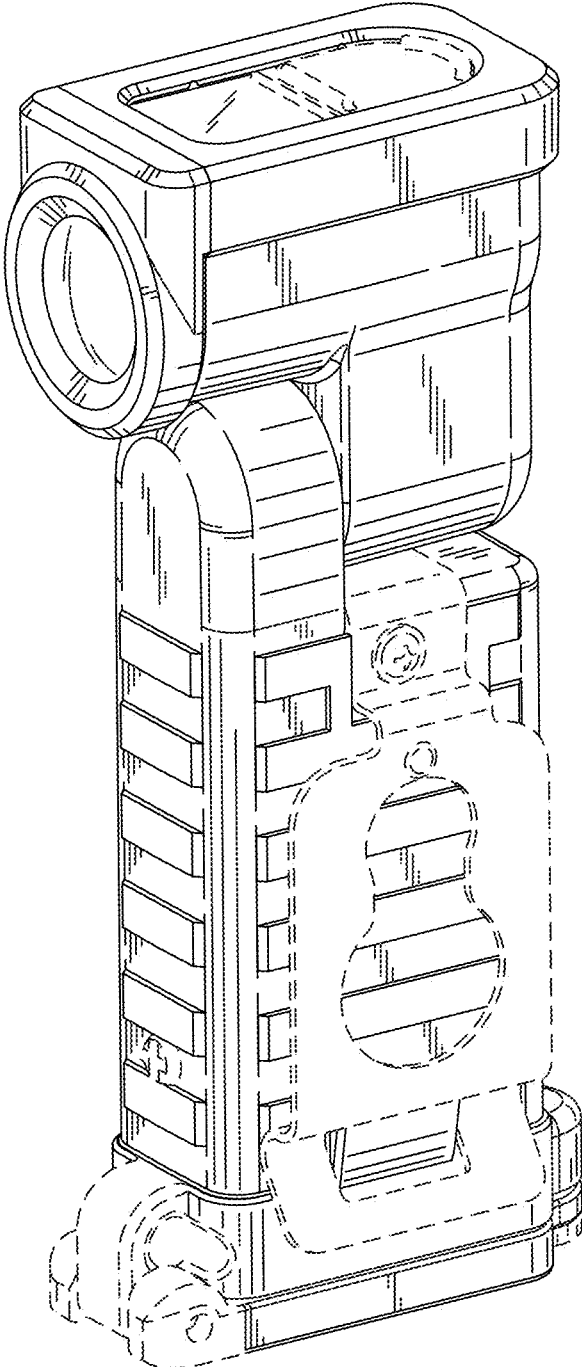


FIG. 2

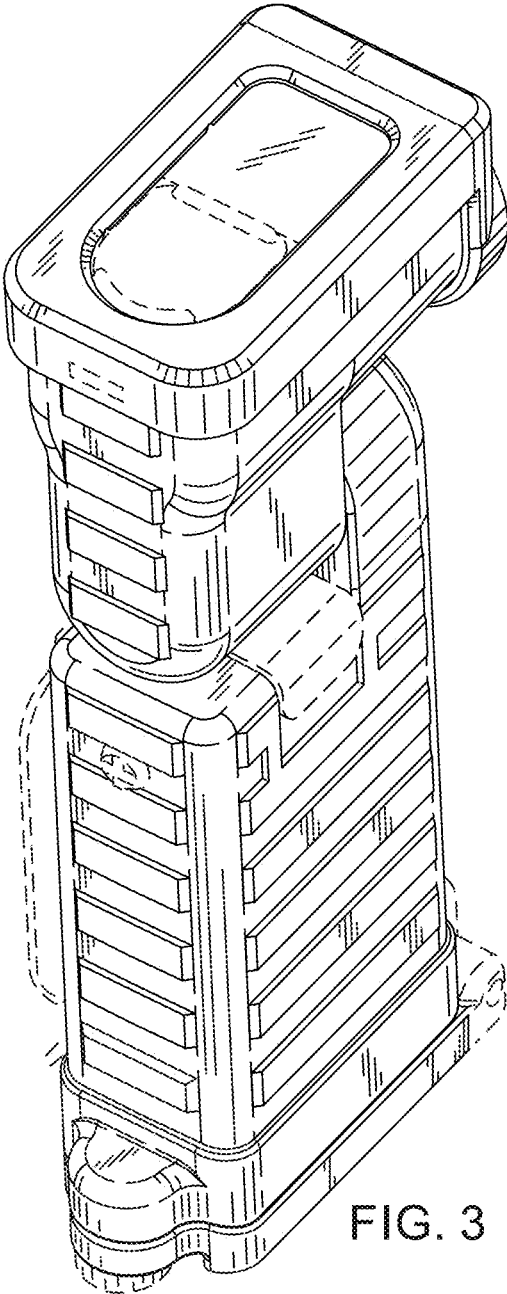


FIG. 3

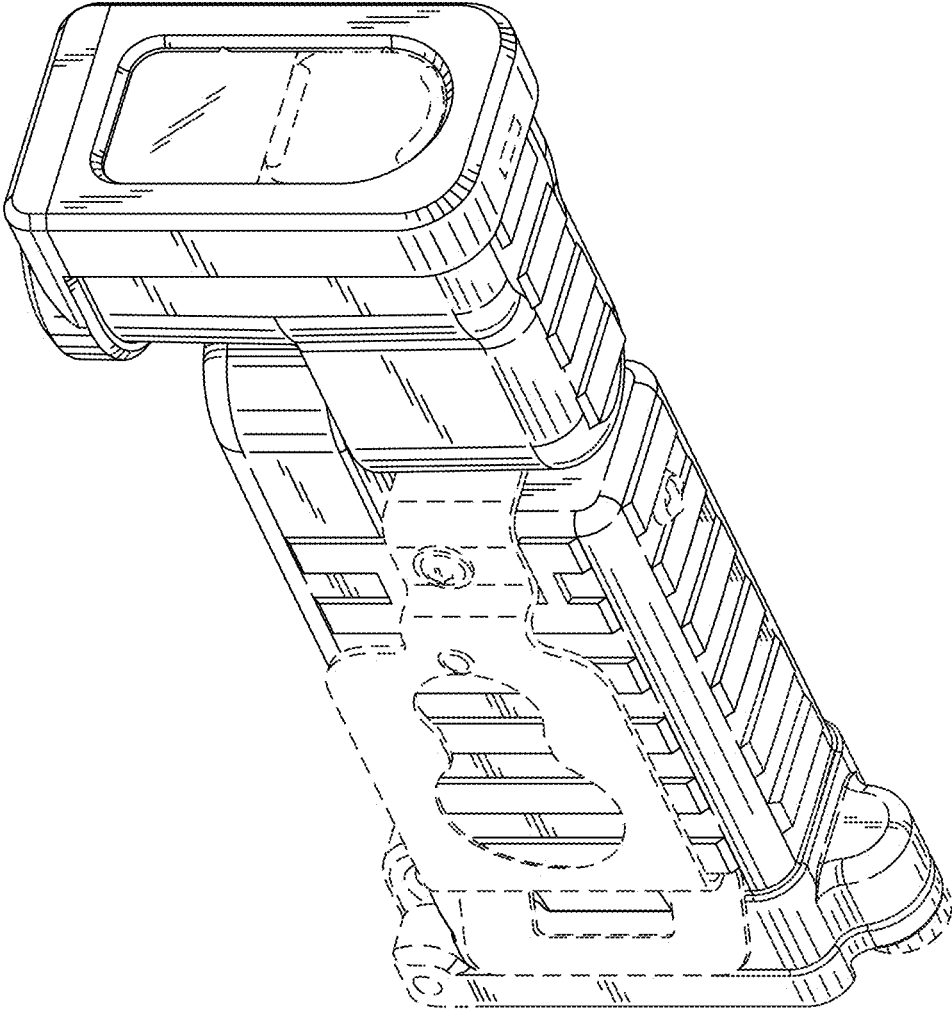


FIG. 4

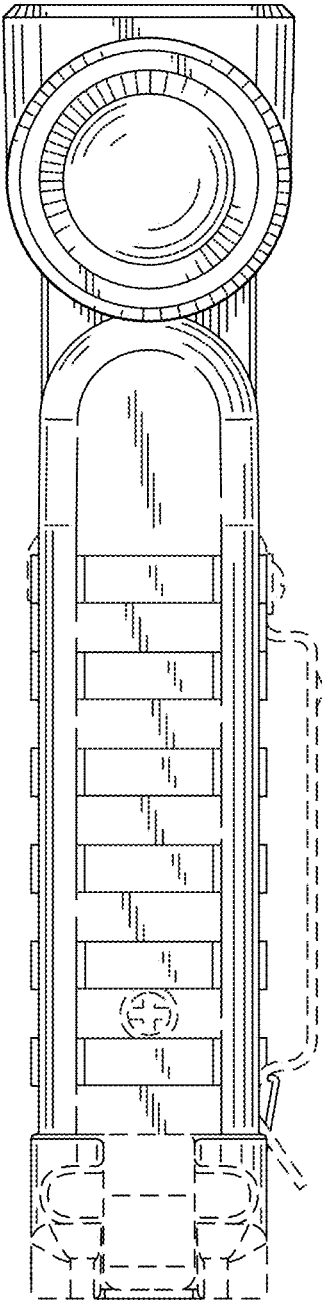


FIG. 5

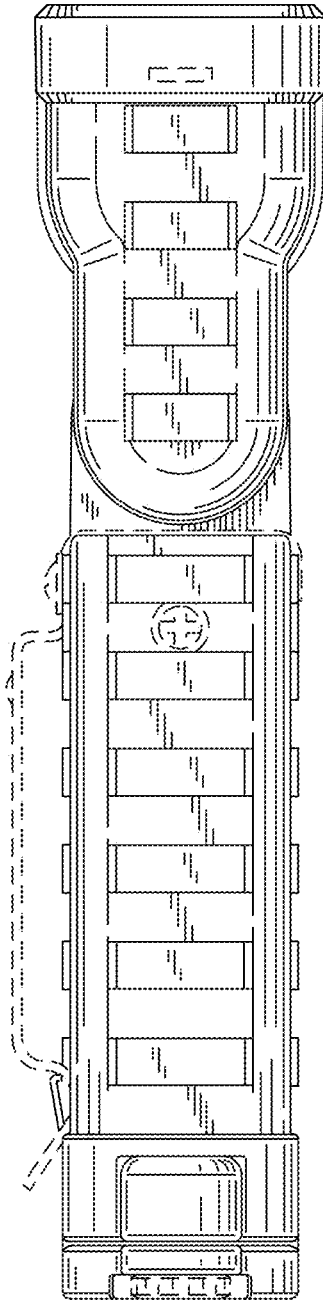


FIG. 6

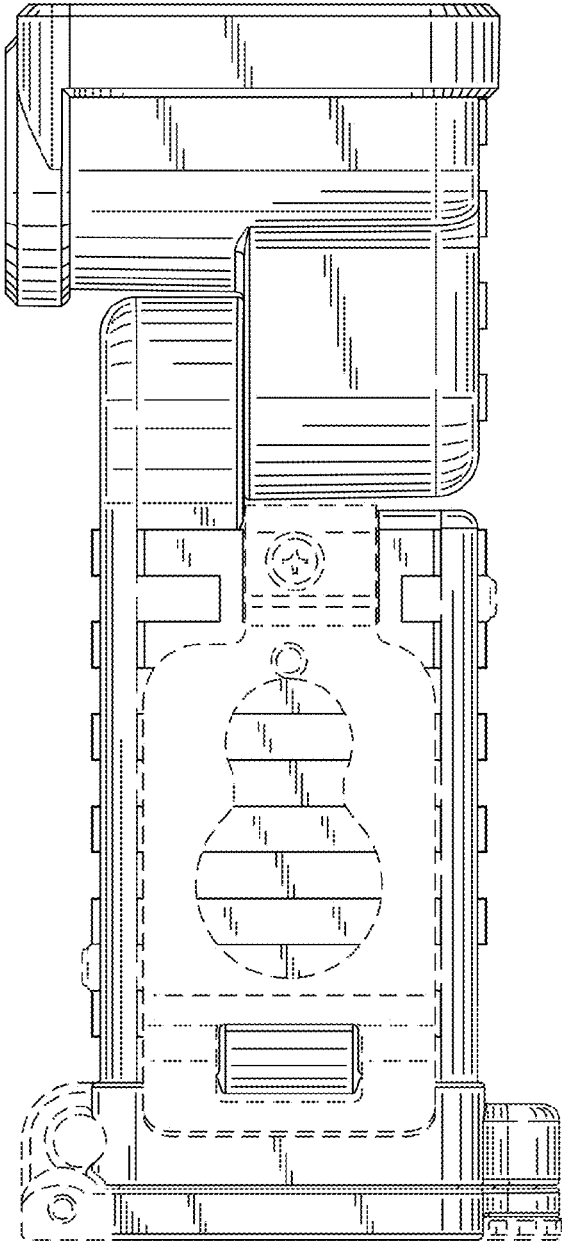


FIG. 7

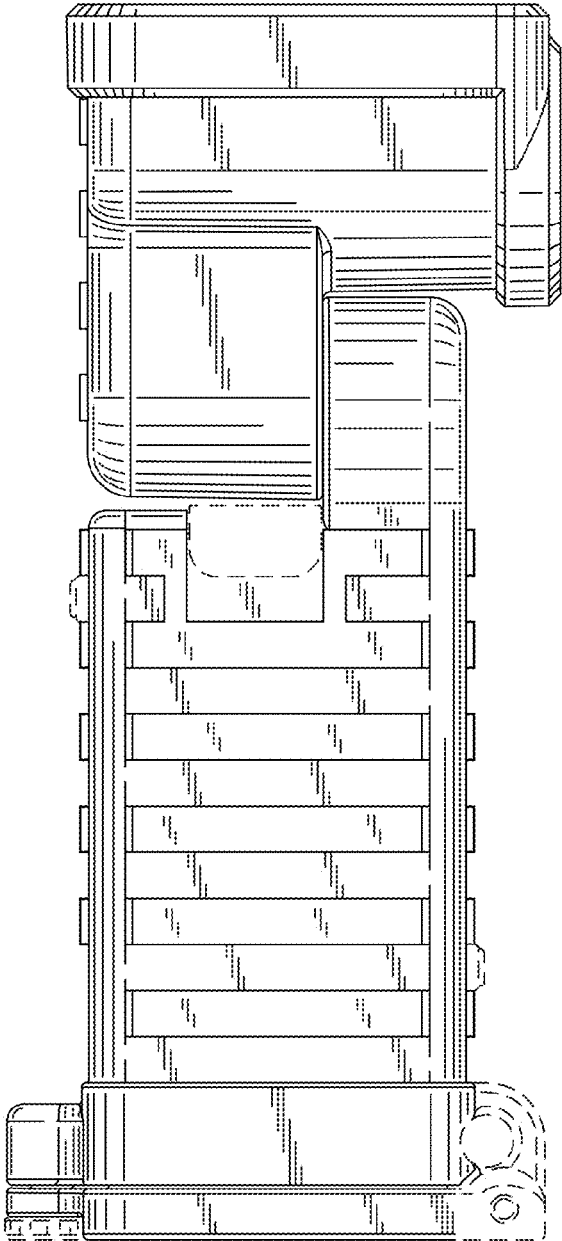


FIG. 8



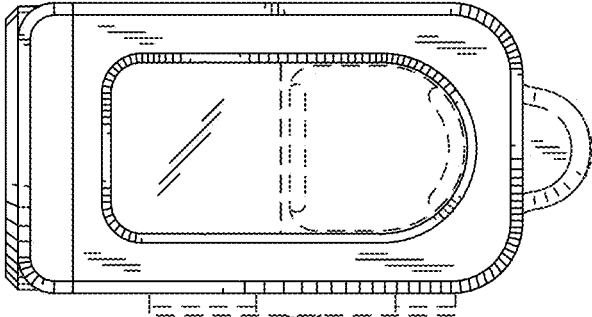


FIG. 9

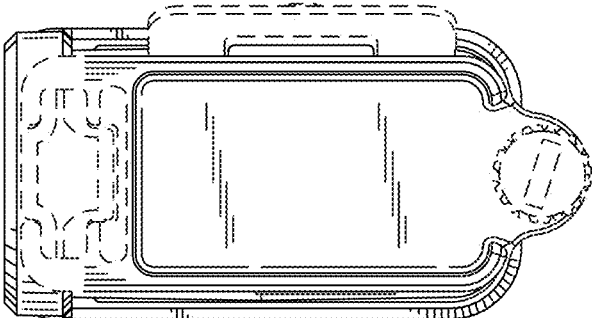


FIG. 10

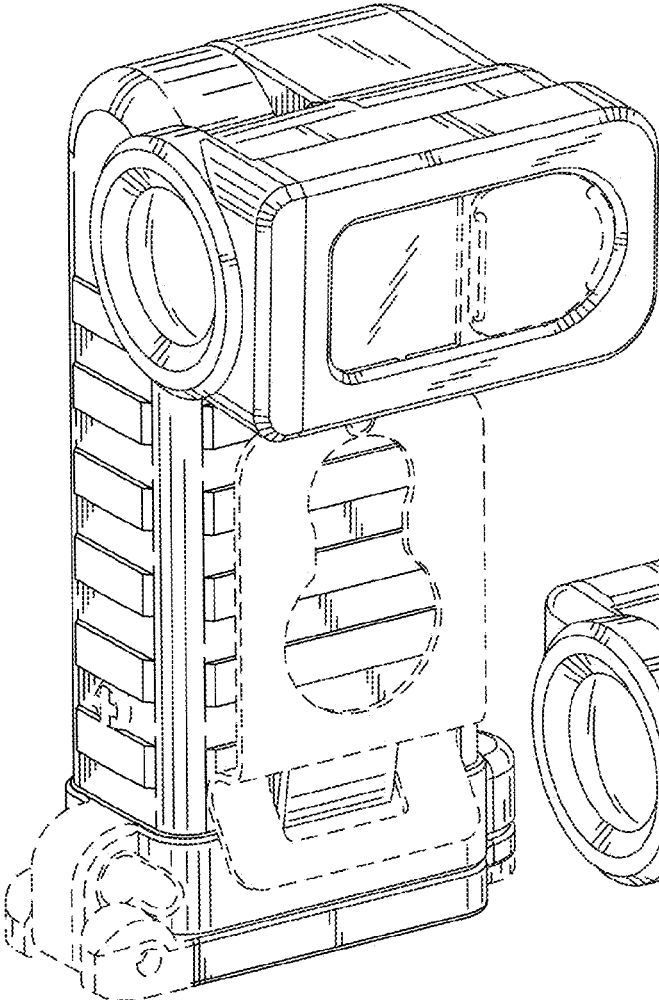


FIG. 11

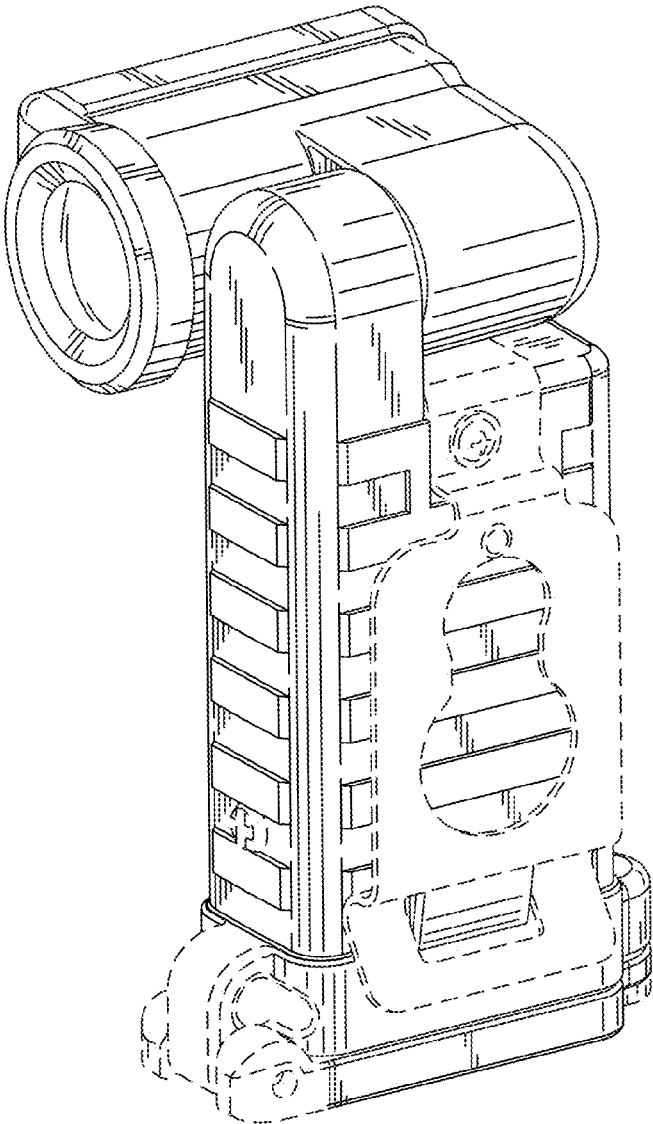


FIG. 12