



US00D597403S

(12) **United States Design Patent**  
**Ho et al.**

(10) **Patent No.:** **US D597,403 S**

(45) **Date of Patent:** **\*\* Aug. 4, 2009**

(54) **CABLE CLIP**

(75) Inventors: **Lien-Hsun Ho**, Taipei (TW); **Shou-Ting Yeh**, Taipei (TW); **Grant Chen**, Taipei (TW); **Hsiung-Kuei Cheng**, Taipei (TW)

(73) Assignee: **Cyber Power System Inc.**, Taipei (TW)

(\*\*) Term: **14 Years**

(21) Appl. No.: **29/313,516**

(22) Filed: **Jan. 15, 2009**

(51) **LOC (9) Cl.** ..... **08-08**

(52) **U.S. Cl.** ..... **D8/396; D8/356**

(58) **Field of Classification Search** ..... D8/356,  
D8/371, 394-396; 24/570, 129 R, 122.6;  
248/74.2, 215, 227.1, 49, 300, 301, 316.7,  
248/51, 489; D19/56

See application file for complete search history.

(56) **References Cited**

U.S. PATENT DOCUMENTS

2,888,546 A *	5/1959	Kinney	392/441
2,903,821 A *	9/1959	Kelly, Jr.	59/80
2,983,014 A *	5/1961	Greenwood	24/545
4,707,892 A *	11/1987	Nelson	24/336
4,715,571 A *	12/1987	Soltow et al.	248/68.1
D298,355 S *	11/1988	Young	D24/128
5,027,478 A *	7/1991	Suhr	24/16 R
D358,545 S *	5/1995	Price	D8/356
D375,890 S *	11/1996	Takai	D8/380
5,703,330 A *	12/1997	Kujawski	174/72 A
D395,815 S *	7/1998	Walters et al.	D8/354

D421,318 S *	2/2000	O'Brien et al.	D26/138
6,109,569 A *	8/2000	Sakaida	248/75
6,408,492 B1 *	6/2002	Sparks et al.	24/336
6,552,270 B1 *	4/2003	Heacox	174/71 R
6,710,249 B1 *	3/2004	Denton	174/651
D508,842 S *	8/2005	Paolini	D8/395
D571,192 S *	6/2008	Stomp et al.	D8/356
2007/0246613 A1 *	10/2007	Kennedy	248/56

\* cited by examiner

*Primary Examiner*—T. Chase Nelson

*Assistant Examiner*—John Windmuller

(74) *Attorney, Agent, or Firm*—William E. Pelton, Esq.;  
Cooper & Dunham LLP

(57) **CLAIM**

The ornamental design for a cable clip, as shown.

**DESCRIPTION**

FIG. 1 is a perspective view of a cable clip showing our new design;

FIG. 2 is a front view thereof;

FIG. 3 is a rear view thereof;

FIG. 4 is a left side view thereof;

FIG. 5 is a right side view thereof;

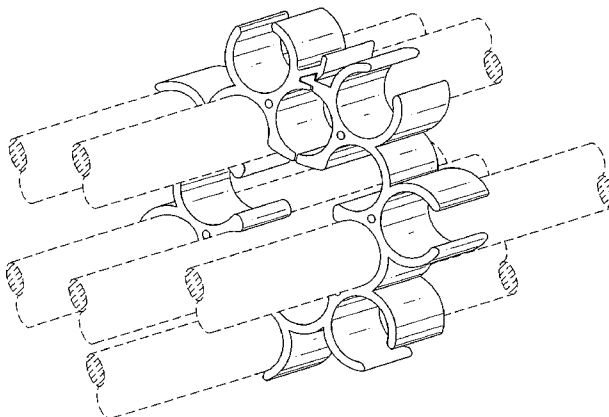
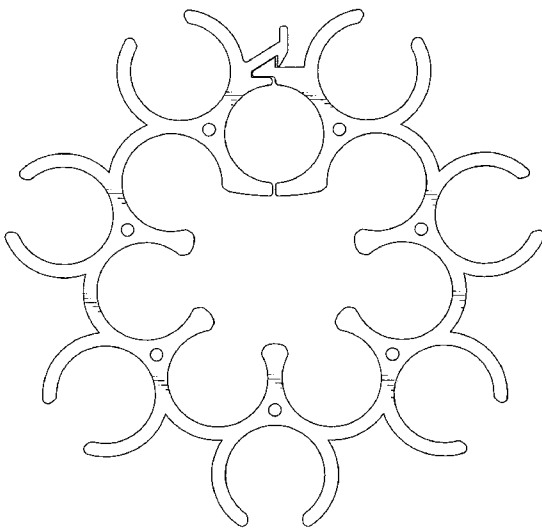
FIG. 6 is top view thereof;

FIG. 7 is a bottom view thereof; and,

FIG. 8 is a perspective view thereof in condition of use.

In the drawings, the broken lines depict environmental subject matter only and form no part of the claimed design.

**1 Claim, 8 Drawing Sheets**



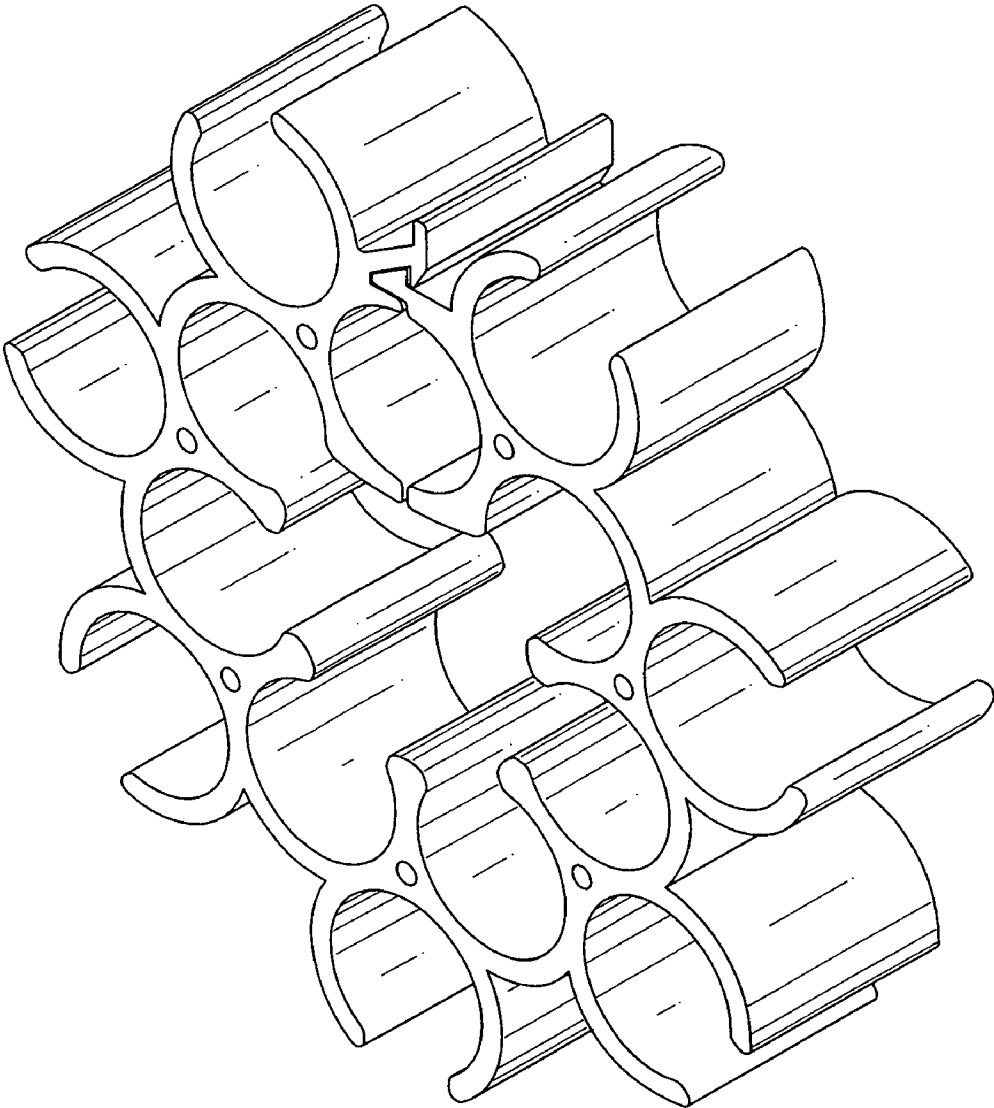


FIG.1

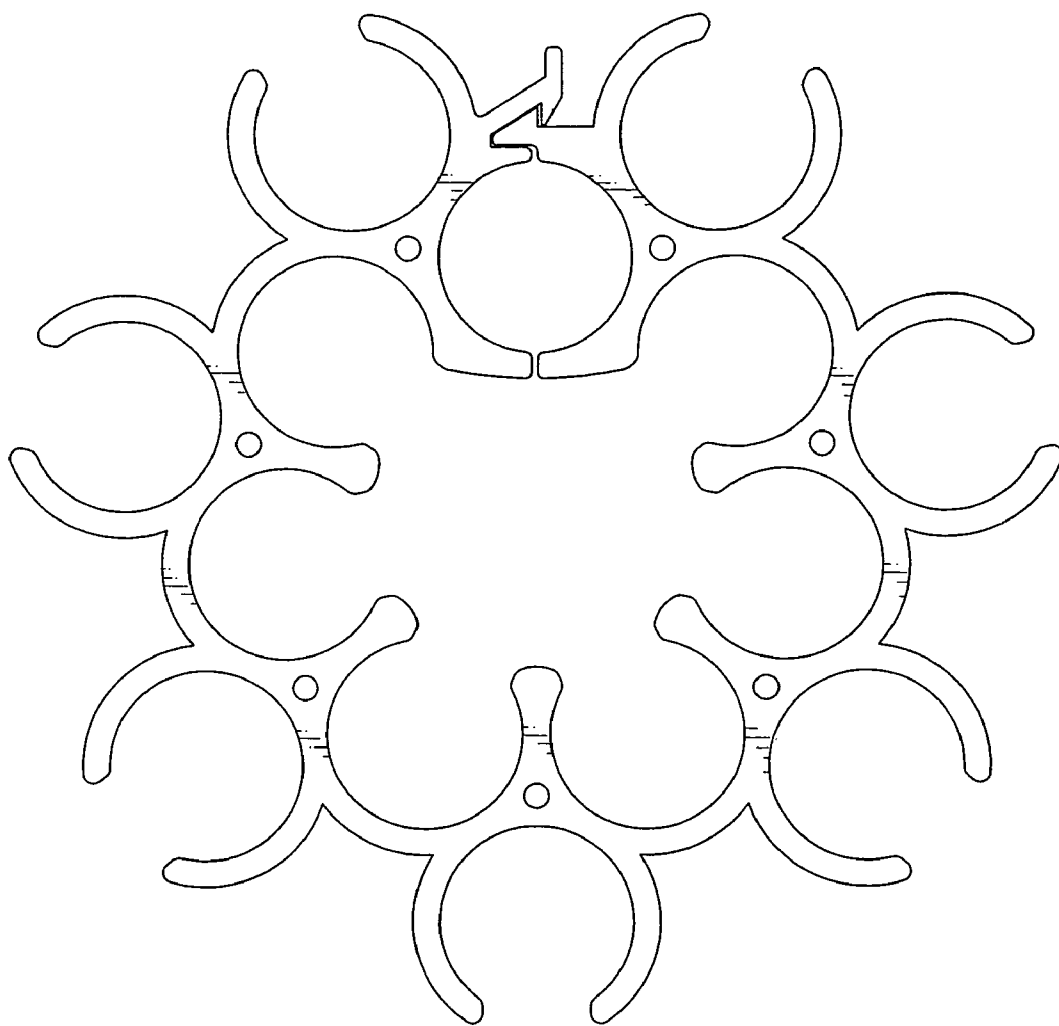


FIG.2

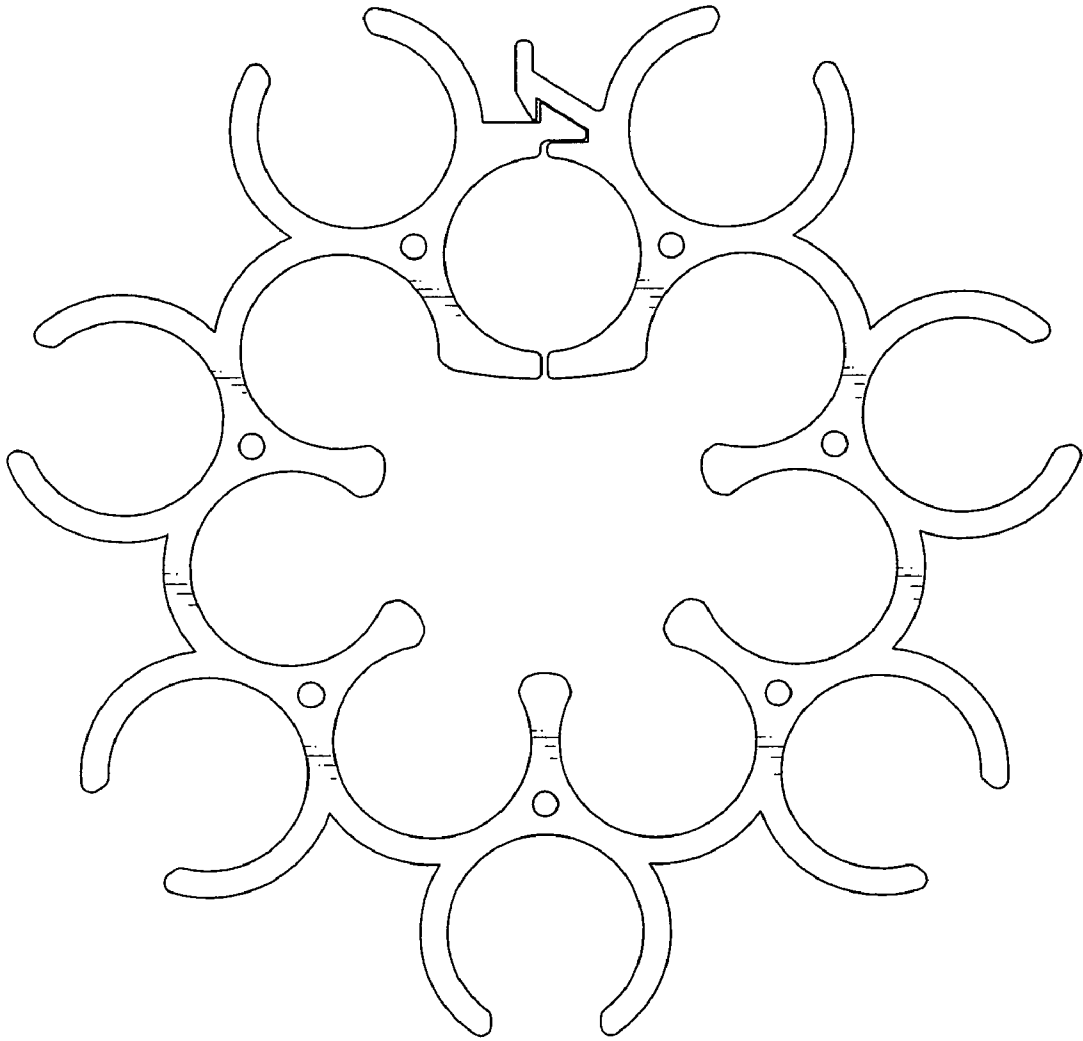


FIG.3





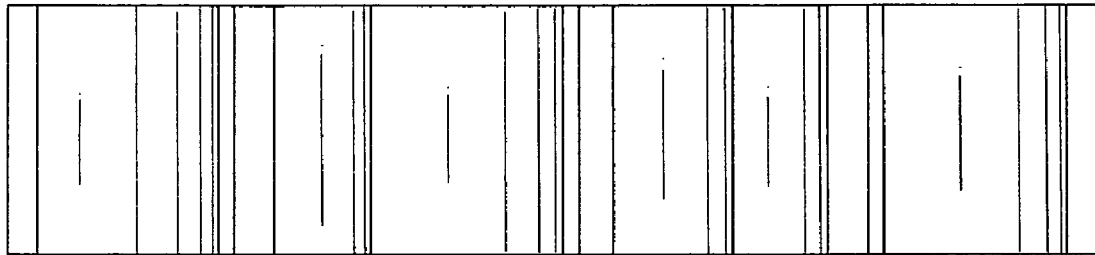


FIG.6



FIG.7



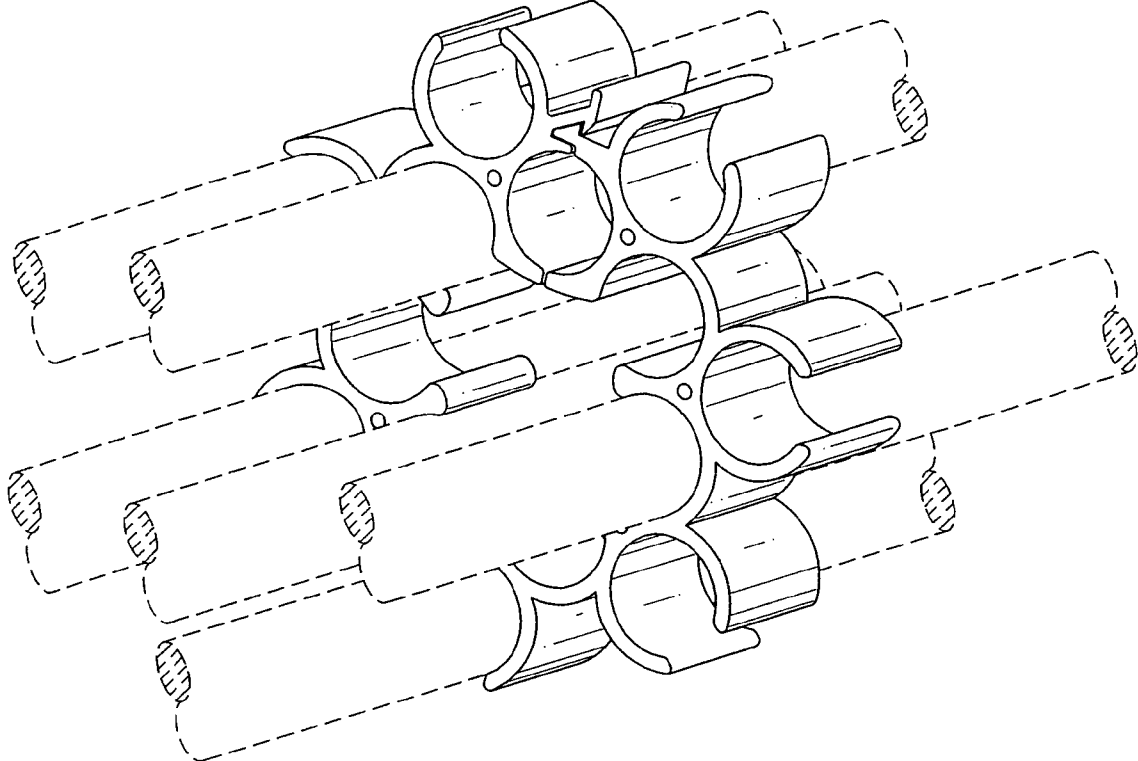


FIG.8