



US00D735176S

(12) **United States Design Patent**
Liu et al.

(10) **Patent No.:** **US D735,176 S**
(45) **Date of Patent:** **** Jul. 28, 2015**

(54) **DISPLAY MODULE FOR AN ELECTRONIC DEVICE**

(71) Applicant: **HTC Corporation**, Taoyuan County (TW)

(72) Inventors: **Yi-Ting Liu**, Taoyuan County (TW);
I-Cheng Chuang, Taoyuan County (TW)

(73) Assignee: **HTC Corporation**, Taoyuan (TW)

(**) Term: **14 Years**

(21) Appl. No.: **29/444,464**

(22) Filed: **Jan. 30, 2013**

(51) **LOC (10) Cl.** **14-03**

(52) **U.S. Cl.**

USPC **D14/239**; D14/496

(58) **Field of Classification Search**

USPC D14/401, 435, 474, 483, 217, 137, 138,
D14/160, 168, 356, 203.1-203.8, 507;
345/156, 169, 173-179, 905;
715/727-729, 864; 710/1, 5, 8; 713/1,
713/600; 455/1.1, 1.7, 73, 344-347, 93, 95,
455/3.01-3.06, 550.1, 573.1; 370/342-344;
369/1, 2, 6-12; 463/43-47; 273/148 B

CPC H04M 2201/00; H04N 1/00

See application file for complete search history.

(56) **References Cited**

U.S. PATENT DOCUMENTS

7,529,571 B2 * 5/2009 Byun et al. 455/575.4
RE40,867 E * 8/2009 Binstead 341/33
D613,736 S * 4/2010 Andre et al. D14/341
7,948,477 B2 * 5/2011 Hotelling 345/173
D647,106 S * 10/2011 Akana et al. D14/496
8,108,016 B2 * 1/2012 Gaddy 455/575.4
D659,163 S * 5/2012 Akana et al. D14/496
D661,707 S * 6/2012 Akana et al. D14/496
D666,202 S 8/2012 Dinh et al.

8,249,677 B2 * 8/2012 Shih et al. 455/575.4
8,310,463 B2 * 11/2012 Yang et al. 345/174
D678,261 S * 3/2013 Akana et al. D14/250
8,780,067 B1 * 7/2014 Yang et al. 345/173
8,803,823 B2 * 8/2014 Chang et al. 345/173
8,884,844 B2 * 11/2014 Yang et al. 345/3.1
8,918,565 B2 * 12/2014 Kennedy 710/69
2004/0263482 A1 * 12/2004 Goertz 345/173
2011/0310054 A1 * 12/2011 Souchkov 345/174
2012/0127117 A1 * 5/2012 Ku et al. 345/174

FOREIGN PATENT DOCUMENTS

TW D153057 4/2013

OTHER PUBLICATIONS

“Office Action of Taiwan counterpart application” issued on Oct. 25, 2013, p. 1-p. 3, in which the listed reference was cited.

* cited by examiner

Primary Examiner — Randall Gholson

(74) *Attorney, Agent, or Firm* — Jianq Chyun IP Office

(57) **CLAIM**

The ornamental design for a display module for an electronic device, as shown and described.

DESCRIPTION

FIG. 1 is a perspective view of a display module for an electronic device showing our new design;

FIG. 2 is a front view thereof;

FIG. 3 is a rear view thereof;

FIG. 4 is a left view thereof;

FIG. 5 is a right view thereof;

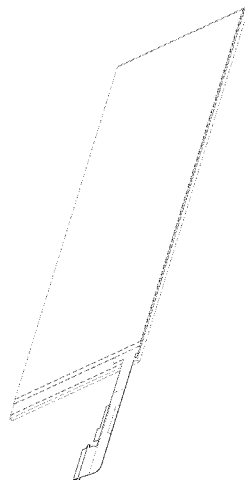
FIG. 6 is a top view thereof;

FIG. 7 is a bottom view thereof; and,

FIG. 8 is an enlarged view of a lower portion of FIG. 1.

The broken line portions of the display module for an electronic device in FIGS. 1-8 represent unclaimed portions of the design and form no part thereof.

1 Claim, 6 Drawing Sheets



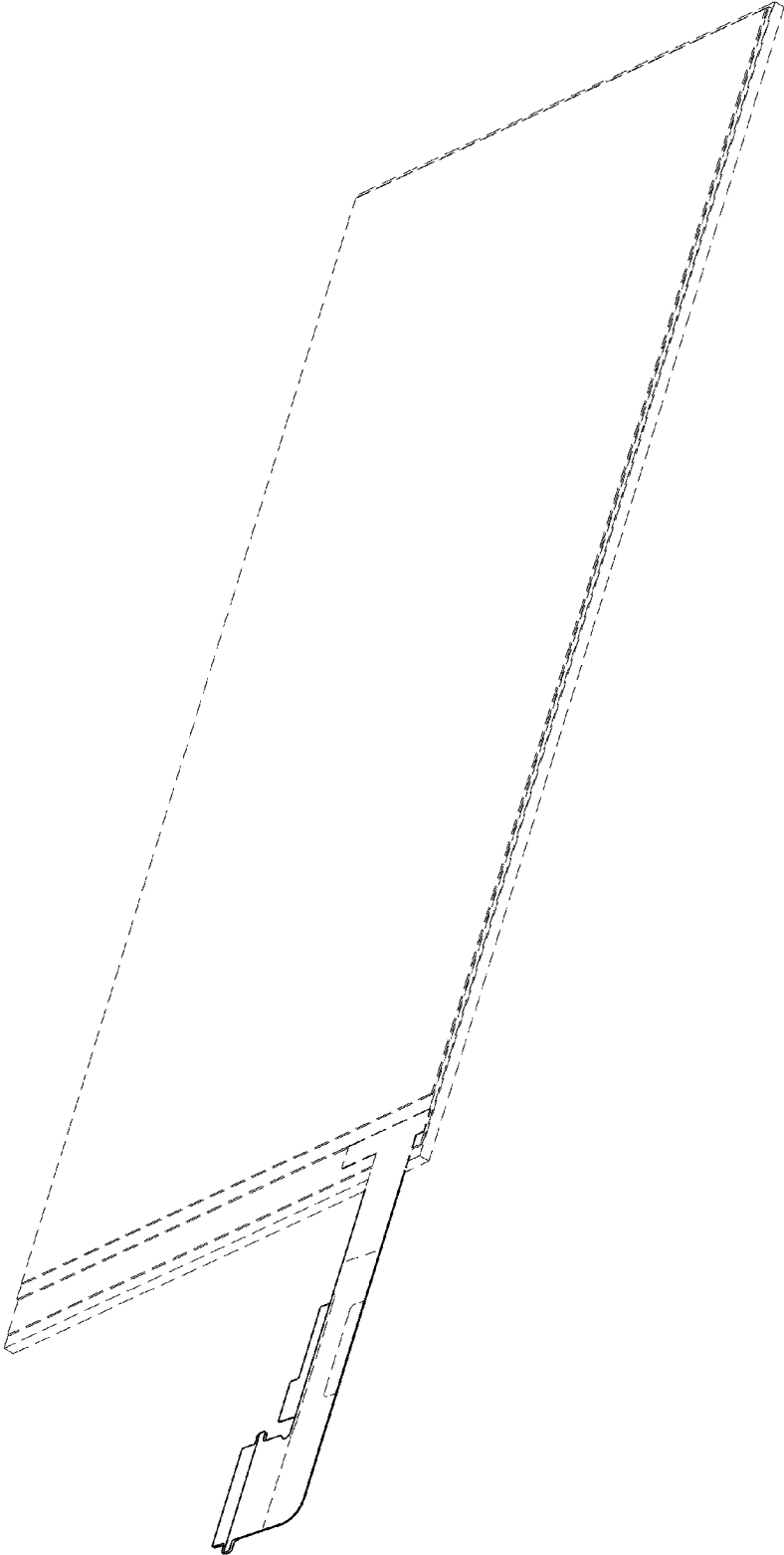


FIG.1

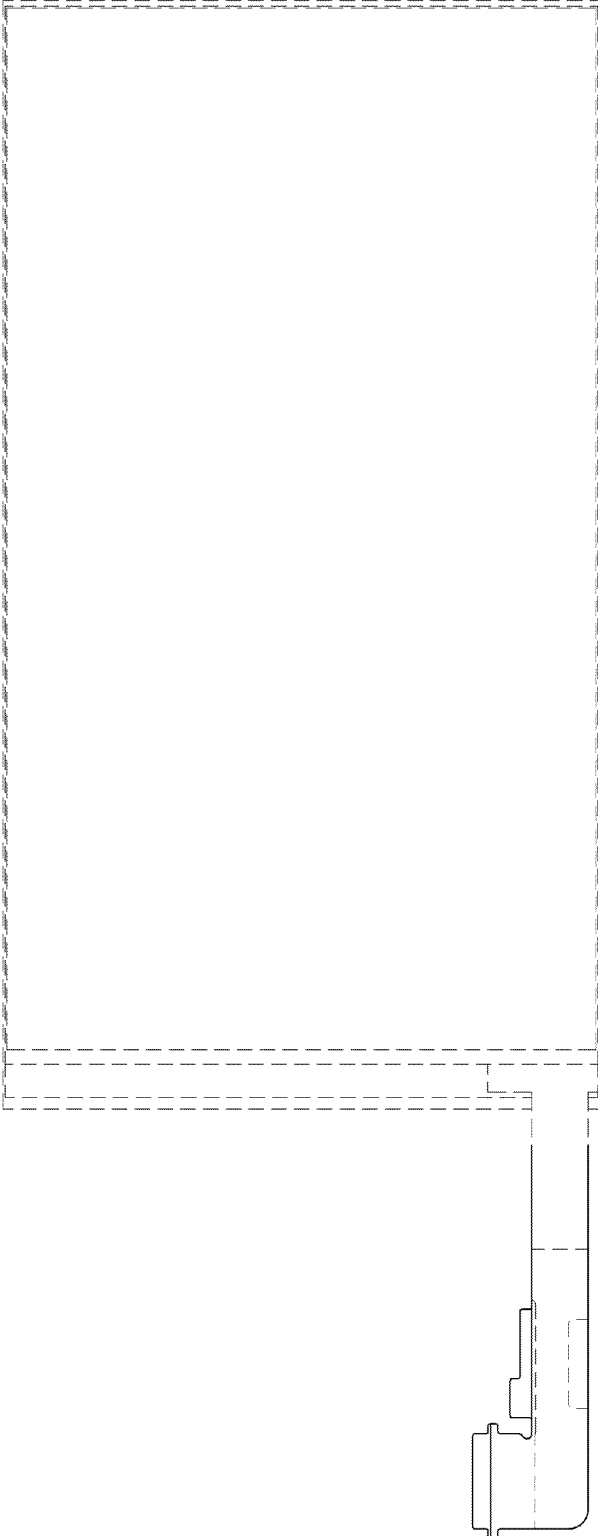


FIG.2

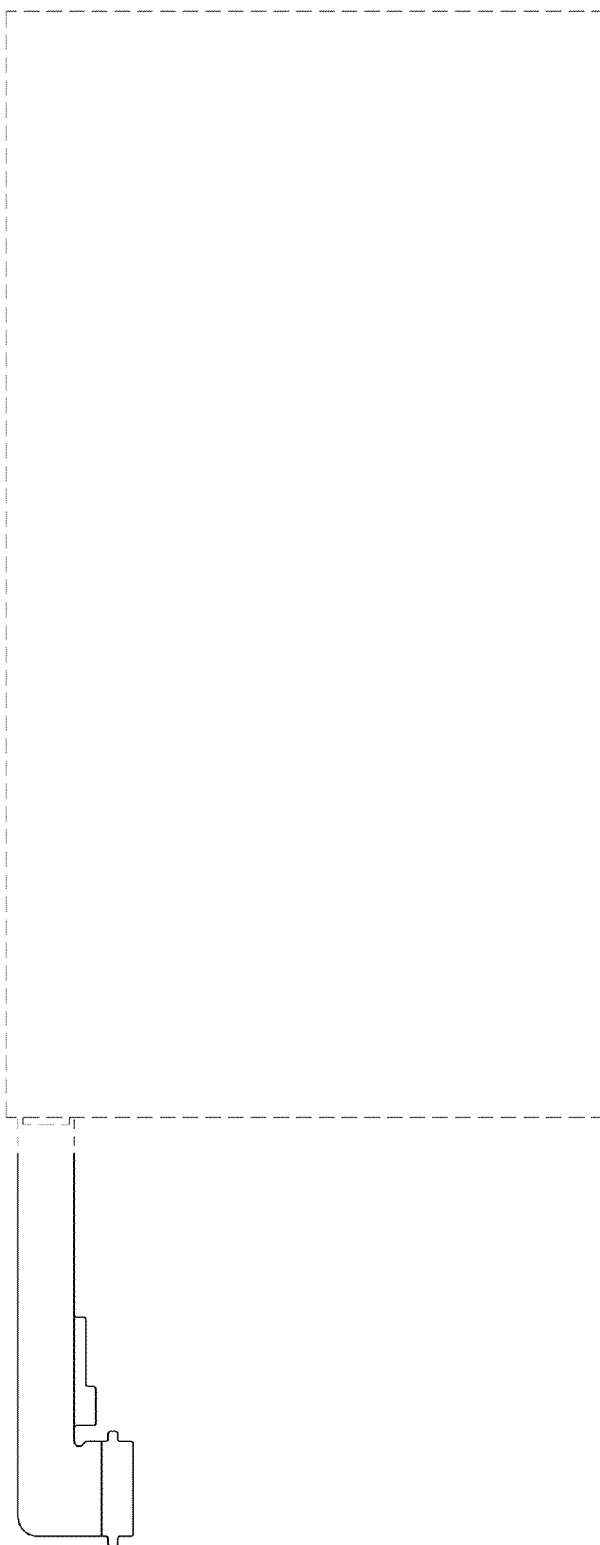


FIG.3



FIG.4



FIG.5



FIG.6

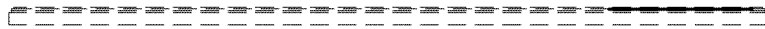


FIG.7

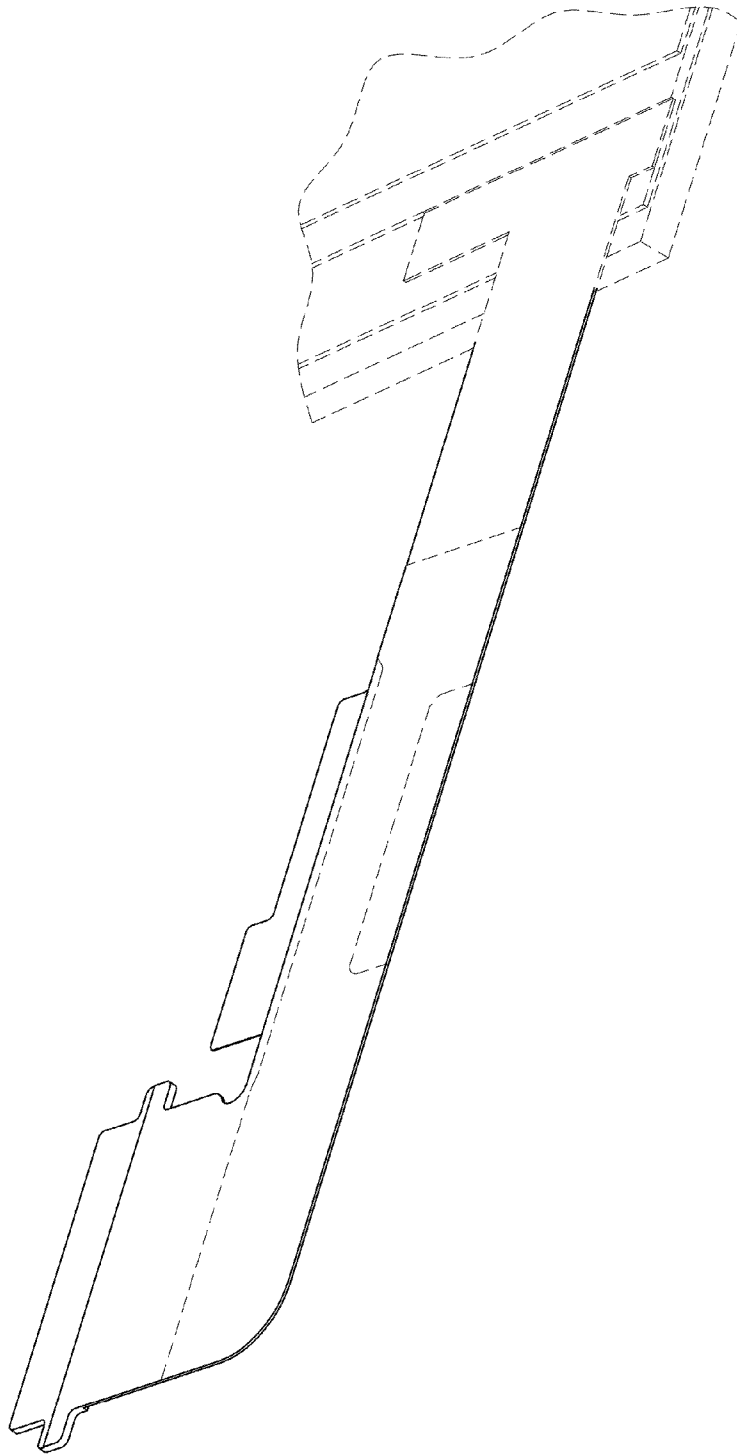


FIG.8