



US00D653557S

(12) **United States Design Patent**  
**Anton Villa**

(10) **Patent No.:** **US D653,557 S**

(45) **Date of Patent:** **\*\* Feb. 7, 2012**

(54) **CHEESE WEDGE CONTAINER**

(75) Inventor: **Cristina Anton Villa**, Coatesville, PA (US)

(73) Assignee: **BC-USA, Inc.**, New Holland, PA (US)

(\*\*) Term: **14 Years**

(21) Appl. No.: **29/352,407**

(22) Filed: **Dec. 21, 2009**

(51) **LOC (9) Cl.** ..... **09-03**

(52) **U.S. Cl.** ..... **D9/643; D9/416; D9/430**

(58) **Field of Classification Search** ..... D9/600, D9/643, 761, 414-434; D7/538, 539, 550.1, D7/551.1, 554.4, 601, 602, 606, 609, 610, D7/612, 613, 702, 703, 628, 629; D3/20, D3/21, 200-203.8, 205, 206, 211, 212, 269, D3/271.1, 273, 294, 295, 302; D27/189-192; D28/78, 79; 229/100, 102, 107, 115, 116.1, 229/118, 123.1, 123.2, 123.3, 182.1, 200, 229/201, 203, 208, 223-228, 154, 160.2, 229/125.13, 125.19-125.22, 125.37-125.39, 229/235, 240-242, 87.05, 87.08, 902-906, 229/922, 924, 927; 426/106, 108, 112, 115, 426/119, 122, 123, 128, 130, 135; 206/541, 206/551, 457, 822

See application file for complete search history.

(56) **References Cited**

**U.S. PATENT DOCUMENTS**

1,158,046	A *	10/1915	Haines	.....	229/107
1,673,176	A *	6/1928	Benner	.....	229/115
1,814,561	A *	7/1931	Krumm	.....	229/115
2,452,969	A *	11/1948	Victor	.....	206/551
2,583,915	A *	1/1952	Whitley	.....	229/107

2,602,540	A *	7/1952	Hurst	.....	206/551
4,432,489	A *	2/1984	Cote	.....	229/112
4,696,394	A *	9/1987	Estkowski et al.	.....	206/303
4,784,273	A *	11/1988	Niemetz	.....	206/551
4,811,846	A *	3/1989	Bottega	.....	206/542
D306,405	S *	3/1990	Kuerti	.....	D9/424
5,193,702	A *	3/1993	Shannon	.....	220/23.4
5,213,255	A *	5/1993	Cote	.....	229/115
D336,589	S *	6/1993	Schindler	.....	D7/539
D349,052	S *	7/1994	Goldstein et al.	.....	D9/643
5,402,930	A *	4/1995	Storms et al.	.....	229/125.28
D376,758	S *	12/1996	Bradfield	.....	D9/430
D418,412	S *	1/2000	Komatsu	.....	D9/433
D425,790	S *	5/2000	Rondolino	.....	D9/430
6,390,358	B1 *	5/2002	Stewart et al.	.....	229/125.09
D480,512	S *	10/2003	Sheng	.....	D28/79
6,966,483	B2 *	11/2005	Manninen	.....	229/103
7,318,941	B2 *	1/2008	Poupard et al.	.....	426/122

\* cited by examiner

*Primary Examiner* — Catherine Tuttle

(74) *Attorney, Agent, or Firm* — Volpe and Koenig, P.C.

(57) **CLAIM**

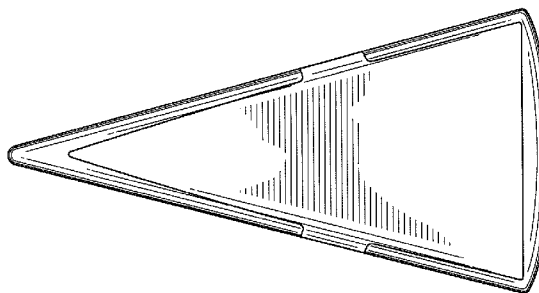
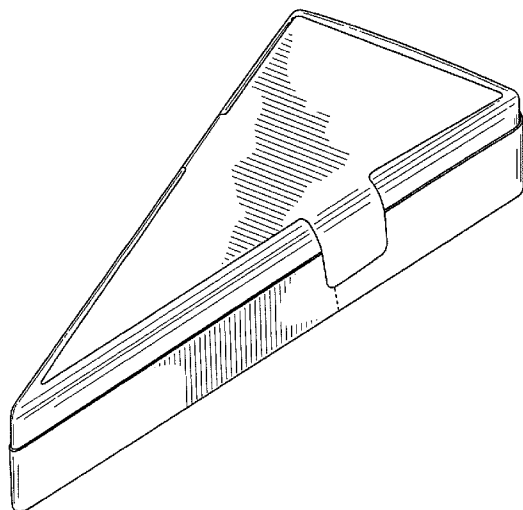
The ornamental design for a cheese wedge container, as shown and described.

**DESCRIPTION**

FIG. 1 is a top, front right perspective view of the cheese wedge container in accordance with my design;  
 FIG. 2 is a front elevational view thereof;  
 FIG. 3 is a rear elevational view thereof;  
 FIG. 4 is a top plan view thereof;  
 FIG. 5 is a bottom view thereof;  
 FIG. 6 is a right side elevational view thereof; and,  
 FIG. 7 is a left side elevational view thereof.

The broken line shown in FIGS. 1 and 6 is for illustrative purposes only; and forms no part of the claimed design.

**1 Claim, 7 Drawing Sheets**



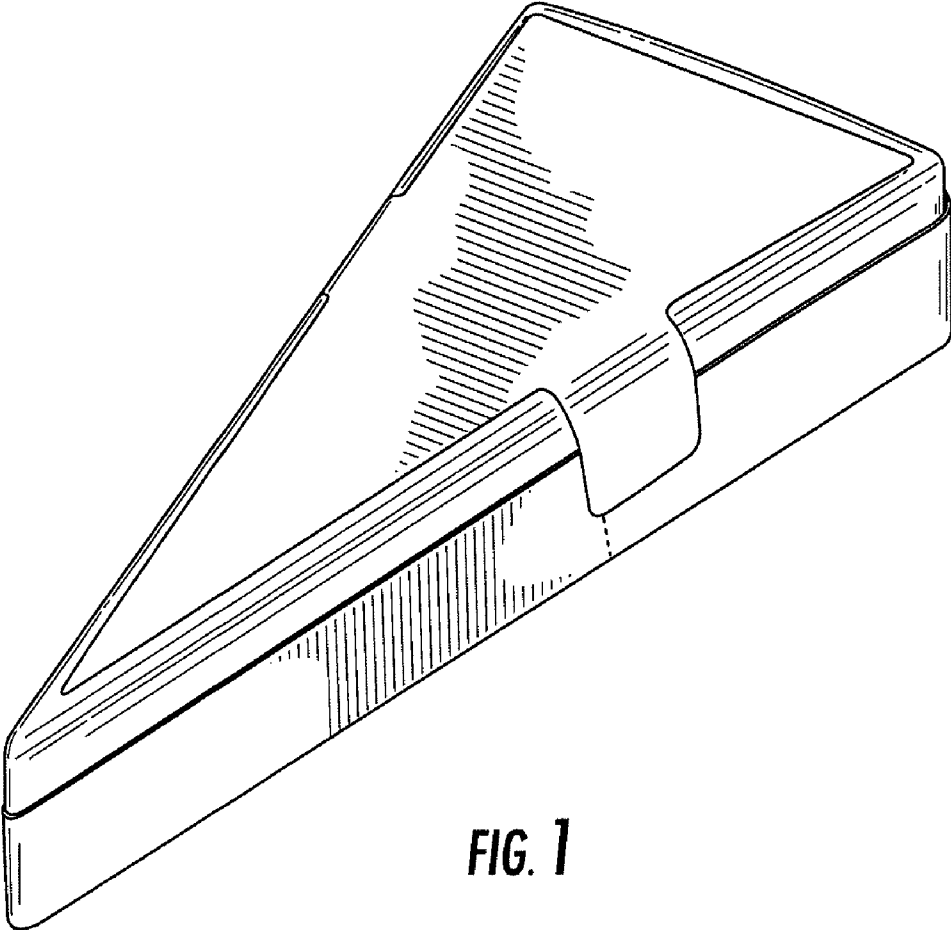
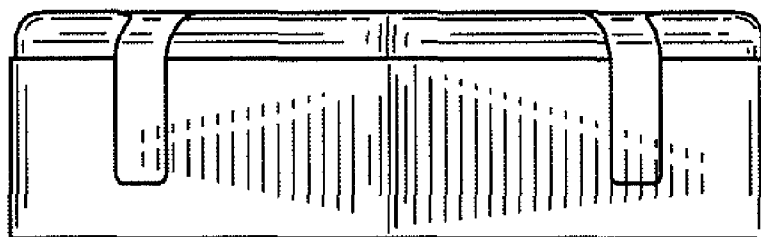
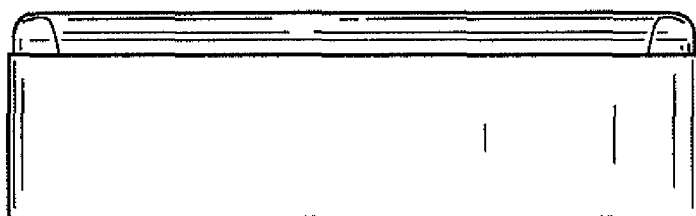


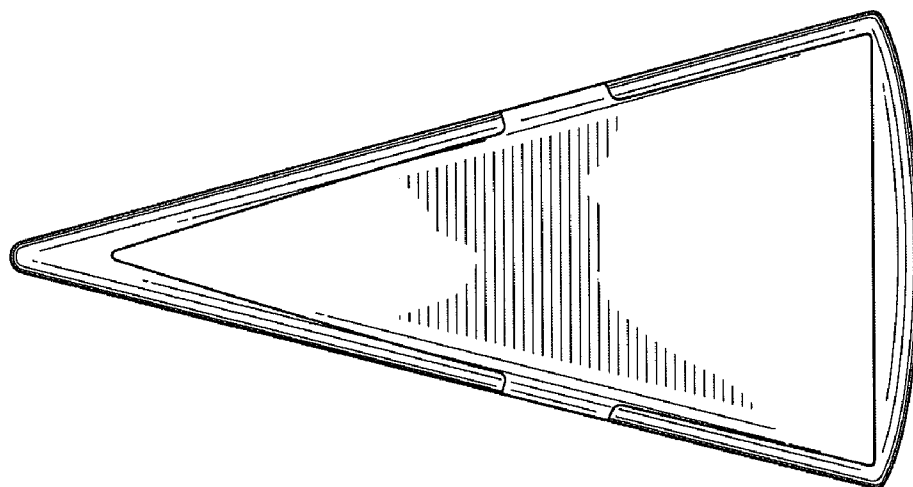
FIG. 1



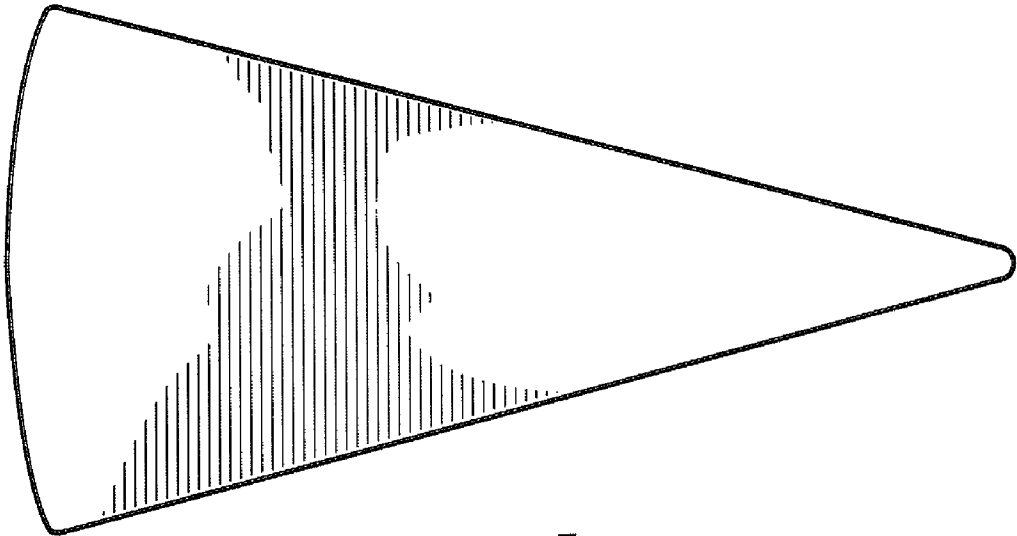
**FIG. 2**



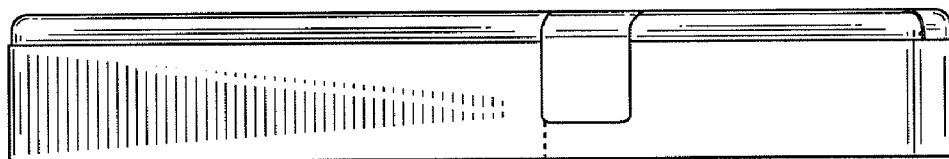
**FIG. 3**



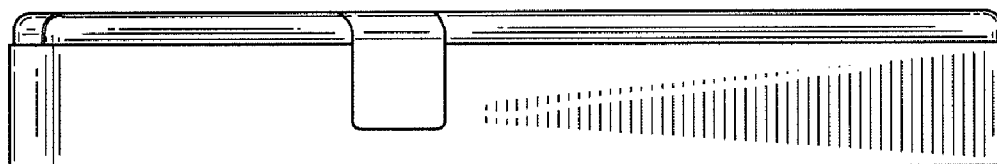
**FIG. 4**



**FIG. 5**



**FIG. 6**



**FIG. 7**