



(12) **United States Design Patent**
Shaw et al.

(10) **Patent No.:** **US D810,546 S**
(45) **Date of Patent:** **** Feb. 20, 2018**

- (54) **L-SHAPED BRACKET**
- (71) Applicant: **Universal Forest Products, Inc.**, Grand Rapids, MI (US)
- (72) Inventors: **John Shaw**, Yakima, WA (US); **Neal Coffey**, Yakima, WA (US)
- (73) Assignee: **Universal Forest Products, Inc.**, Grand Rapids, MI (US)
- (**) Term: **15 Years**
- (21) Appl. No.: **29/595,982**
- (22) Filed: **Mar. 3, 2017**
- (51) **LOC (11) Cl.** **08-05**
- (52) **U.S. Cl.**
USPC **D8/363**
- (58) **Field of Classification Search**
USPC D8/349-356, 358, 359, 363, 365, 366, D8/371, 373, 374, 375, 380, 381, 382, D8/387, 391, 393, 394, 396, 370; D14/239, 126, 451
CPC .. F16B 7/0466; F16B 7/04; F16L 3/00; E04B 2001/405; B60B 33/0089; B60B 33/0097; F16M 13/02; F16M 13/025
See application file for complete search history.

Primary Examiner — Rosemary K Tarcza
Assistant Examiner — Christy Nemeth
 (74) *Attorney, Agent, or Firm* — McGarry Bair PC

(57) **CLAIM**

The ornamental design for an L-shaped bracket, as shown and described.

DESCRIPTION

FIG. 1 is a perspective view of an L-shaped bracket of our new design;
 FIG. 2 is a front elevational view of the L-shaped bracket shown in FIG. 1.
 FIG. 3 is a rear elevational view of the L-shaped bracket shown in FIG. 1.
 FIG. 4 is a top plan view of the L-shaped bracket shown in FIG. 1.
 FIG. 5 is a bottom plan view of the L-shaped bracket shown in FIG. 1; and,
 FIG. 6 is a left-side elevational view of the L-shaped bracket shown in FIG. 1, the right-side elevational view being a mirror image thereof.

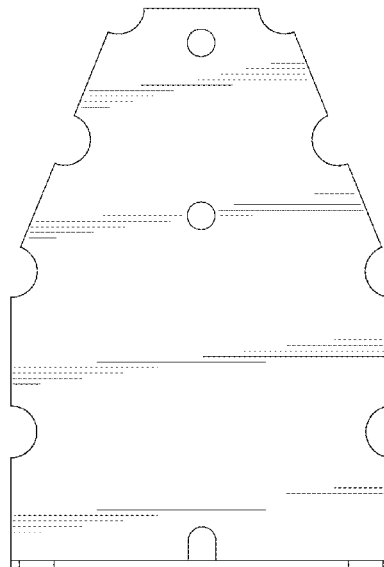
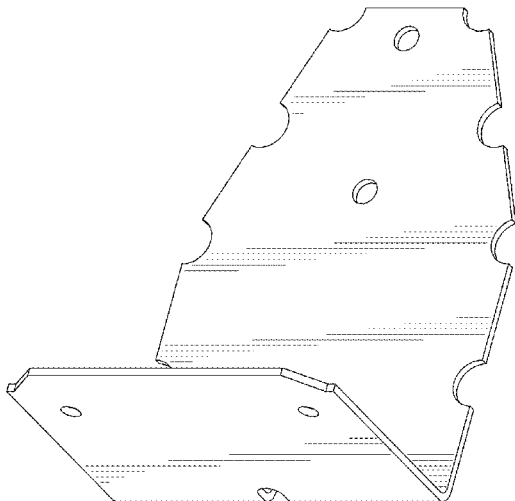
(56) **References Cited**

U.S. PATENT DOCUMENTS

D422,886 S *	4/2000	Shea	D8/354
D442,467 S *	5/2001	Alvarado	D8/350
D667,289 S *	9/2012	Preda	D8/354
D737,124 S *	8/2015	Sasanecki	D8/366

* cited by examiner

1 Claim, 5 Drawing Sheets



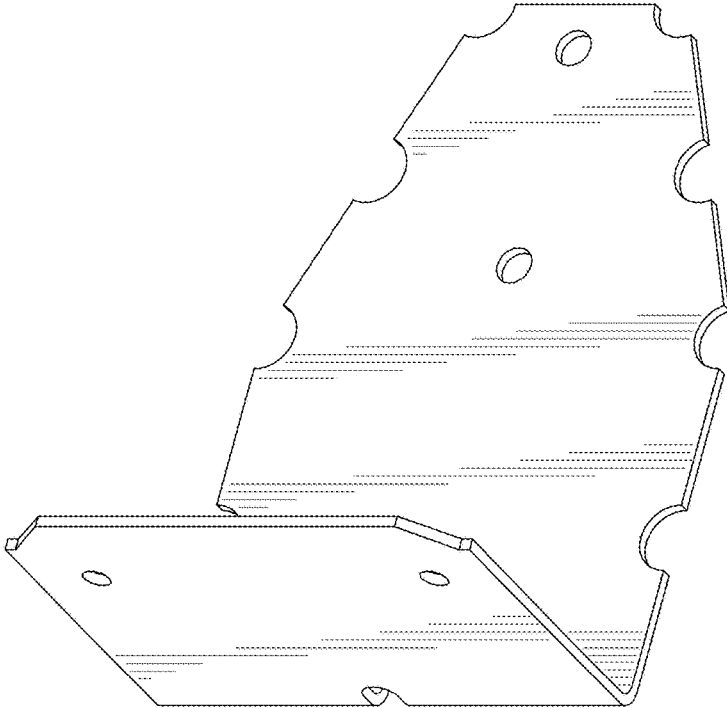


FIG. 1

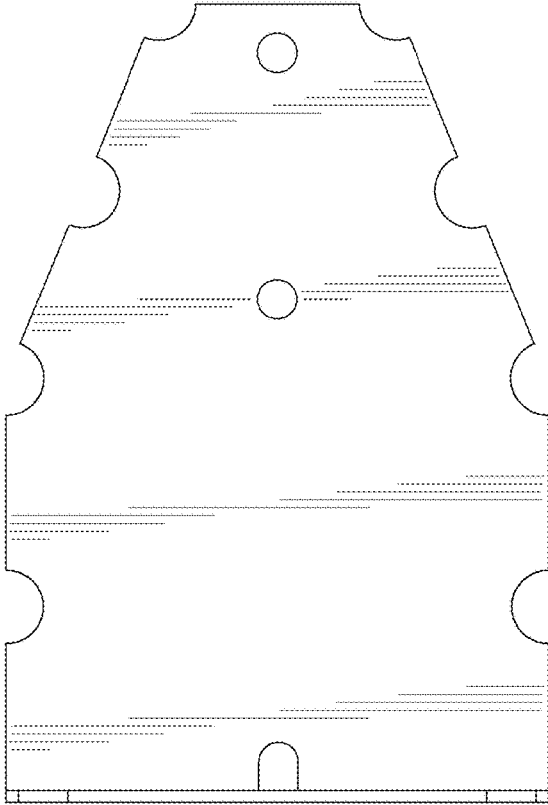


FIG. 2

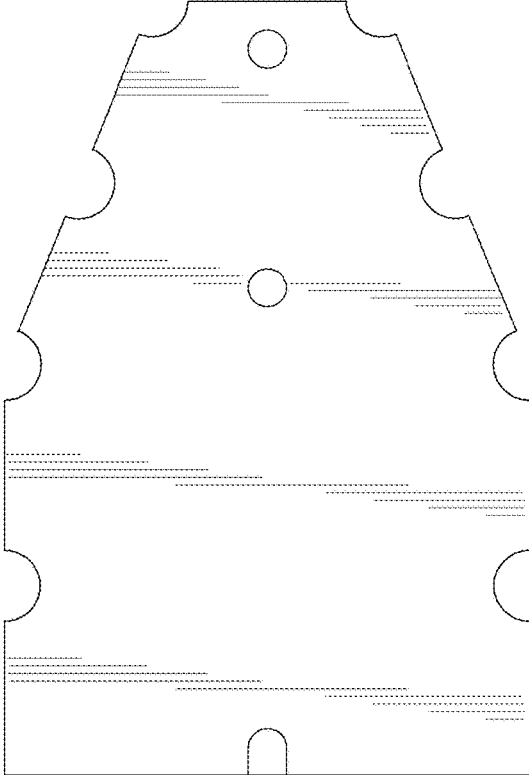


FIG. 3

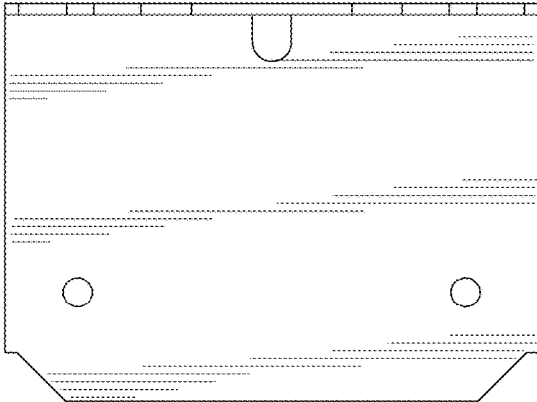


FIG. 4

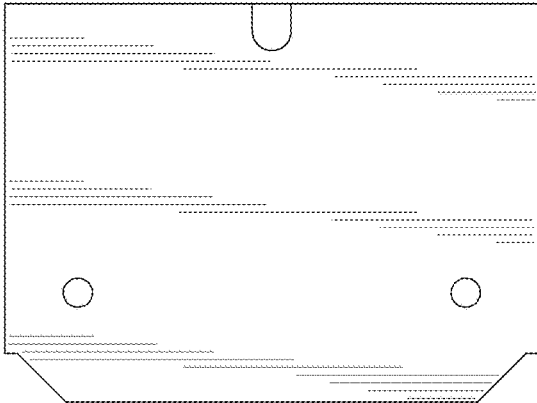


FIG. 5

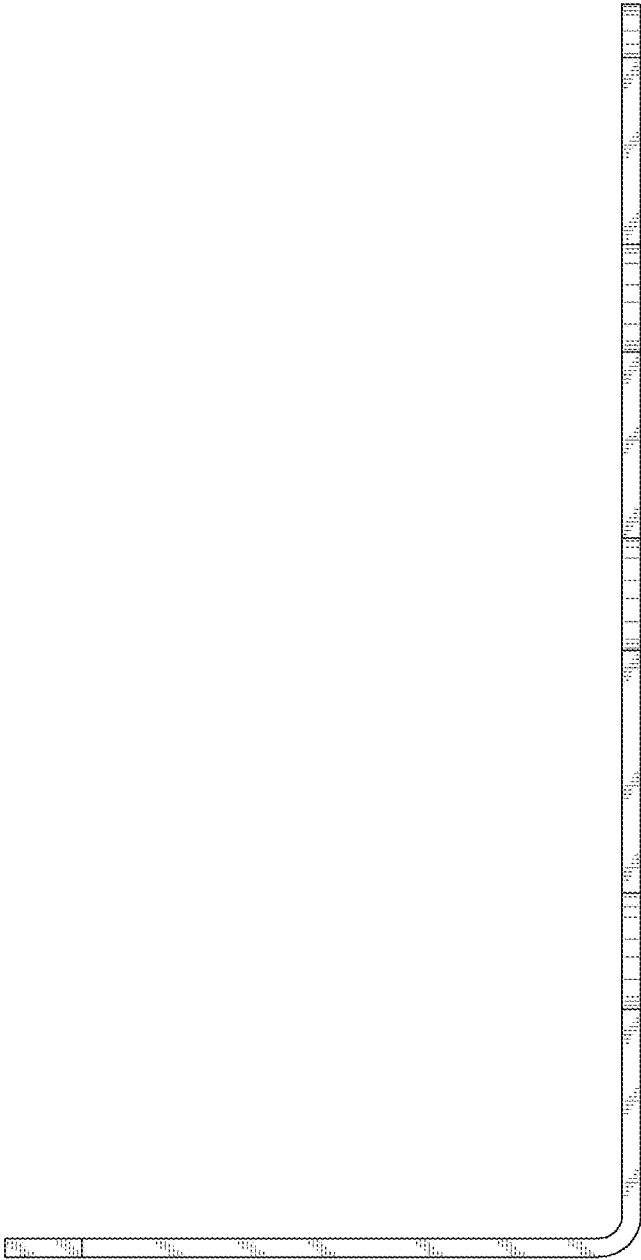


FIG. 6