



US00D936037S

(12) **United States Design Patent**
Zhou

(10) **Patent No.:** **US D936,037 S**

(45) **Date of Patent:** **** Nov. 16, 2021**

(54) **EARPHONE**
(71) Applicant: **SHENZHEN BAIFAN TECHNOLOGY CO., LTD.**, Shenzhen (CN)
(72) Inventor: **Wenjie Zhou**, Kaifeng (CN)
(73) Assignee: **SHENZHEN BAIFAN TECHNOLOGY CO., LTD.**, Shenzhen (CN)
(**) Term: **15 Years**

4,965,838 A * 10/1990 Kamon H04R 1/1016
381/380
D331,062 S * 11/1992 Kanno D14/223
D337,119 S * 7/1993 Taniguchi D14/223
D362,442 S * 9/1995 Goldfarb D14/215
5,544,253 A * 8/1996 Nagayoshi H04R 1/1016
381/385
6,084,976 A * 7/2000 Lin H04R 1/1016
181/129
D431,553 S * 10/2000 Suzuki D14/223
D474,171 S * 5/2003 Suzuki D14/206
D487,077 S * 2/2004 Obata D14/223
D499,397 S * 12/2004 Hlas D14/223
D554,109 S * 10/2007 Ledbetter D14/223
D566,099 S * 4/2008 Komiyama D14/206

(Continued)

(21) Appl. No.: **29/766,763**

(22) Filed: **Jan. 19, 2021**

(51) **LOC (13) Cl.** **14-01**

(52) **U.S. Cl.** **D14/206; D14/223**

(58) **Field of Classification Search**
USPC D14/206, 223, 205, 219; D24/174;
128/864, 865, 866; 381/380, 381, 328,
381/322; 455/90.3, 575.1, 569.1;
D13/108; D5/60
CPC H04R 1/10; H04R 25/00; H04R 25/02;
H04R 1/1066; H04R 1/1016; H04R
5/033; H04R 5/0335; H04R 1/1091;
H04R 1/1083

See application file for complete search history.

(56) **References Cited**

U.S. PATENT DOCUMENTS

3,197,576 A * 7/1965 Martin H04R 25/656
381/322
4,429,194 A * 1/1984 Kamon H04R 1/1016
381/380
4,646,872 A * 3/1987 Kamon H04R 1/225
181/129
4,668,842 A * 5/1987 Yokoyama H04R 1/1066
381/380

FOREIGN PATENT DOCUMENTS

CN 306216896 * 12/2020
CN 306570073 * 5/2021

(Continued)

Primary Examiner — Paula Allen Greene

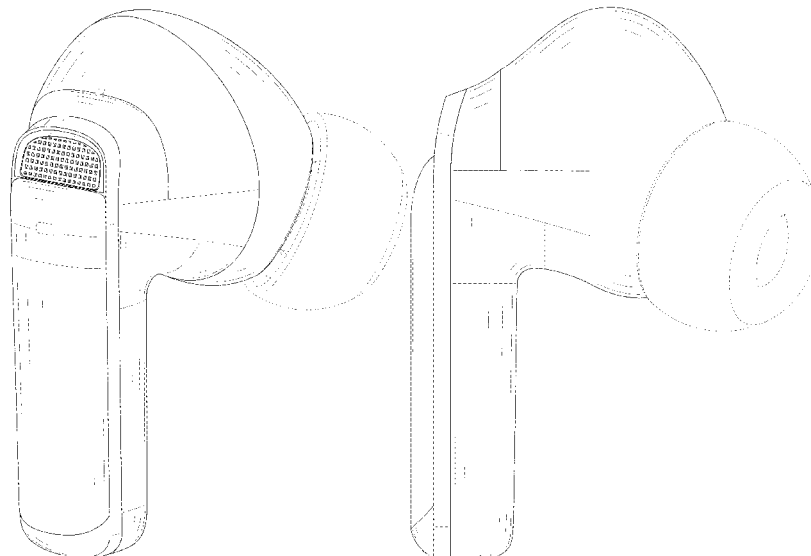
(57) **CLAIM**

The ornamental design for an earphone, as shown and described.

DESCRIPTION

FIG. 1 is a perspective view of an earphone showing my new design;
FIG. 2 is another perspective view thereof;
FIG. 3 is a front elevational view thereof
FIG. 4 is a rear elevational view thereof;
FIG. 5 is a left side elevational view thereof;
FIG. 6 is a right side elevational view thereof;
FIG. 7 is a top plan view thereof; and,
FIG. 8 is a bottom plan view thereof.
The broken lines in the drawings depict portions of the earphone that form no part of the claimed design.

1 Claim, 8 Drawing Sheets



(56)

References Cited

U.S. PATENT DOCUMENTS

D582,397 S * 12/2008 Christopher D14/205
 D606,971 S * 12/2009 Christopher D14/205
 D628,564 S * 12/2010 Chong D14/223
 D643,416 S * 8/2011 Chong D14/223
 D647,081 S * 10/2011 Kwon D14/223
 D678,906 S * 3/2013 Lee D14/496
 8,831,266 B1 * 9/2014 Huang H04R 1/2811
 381/380
 D718,745 S * 12/2014 Thompson D14/223
 D719,548 S * 12/2014 Thompson D14/223
 D773,435 S * 12/2016 Ott D14/205
 D829,193 S * 9/2018 Cai D14/223
 D832,824 S * 11/2018 Kim D14/223
 D866,530 S 11/2019 Birger
 D877,722 S * 3/2020 Yang D14/223
 D878,337 S * 3/2020 Yang D14/223
 D884,682 S * 5/2020 Du D14/223
 D892,086 S 8/2020 Bonahoom et al.
 D893,462 S * 8/2020 Liu D14/223
 D896,206 S * 9/2020 Xu D14/223
 D896,207 S * 9/2020 He D14/223
 D903,639 S * 12/2020 Yang D14/223
 D907,010 S * 1/2021 Akana D14/223
 D910,600 S * 2/2021 Zhang D14/223
 D914,648 S * 3/2021 Zhou D14/223

D914,652 S * 3/2021 Chen D14/223
 D916,058 S * 4/2021 Wu D14/223
 D916,683 S * 4/2021 Yao D14/223
 D916,685 S * 4/2021 Fang D14/223
 D920,293 S * 5/2021 Chen D14/223
 D922,987 S * 6/2021 Yoo D14/223
 D924,209 S * 7/2021 Wu D14/223
 D924,851 S * 7/2021 Li D14/223
 D924,852 S * 7/2021 Liu D14/223
 D925,498 S * 7/2021 Lin D14/223
 D925,499 S * 7/2021 Xie D14/223
 D926,733 S * 8/2021 Wu D14/223
 D928,126 S * 8/2021 Chen D14/223
 2008/0013773 A1 * 1/2008 Yang H04R 1/2826
 381/379
 2012/0003937 A1 * 1/2012 Zhong H04R 1/1091
 455/41.3
 2020/0107103 A1 * 4/2020 Chen H04R 1/1083
 2020/0382856 A1 * 12/2020 Liu H04R 1/2826

FOREIGN PATENT DOCUMENTS

CN 306570078 * 5/2021
 CN 306611838 * 6/2021
 CN 306611840 * 6/2021
 EM 008056667-0001 * 7/2020
 EM 008405997-0001 * 2/2021

* cited by examiner

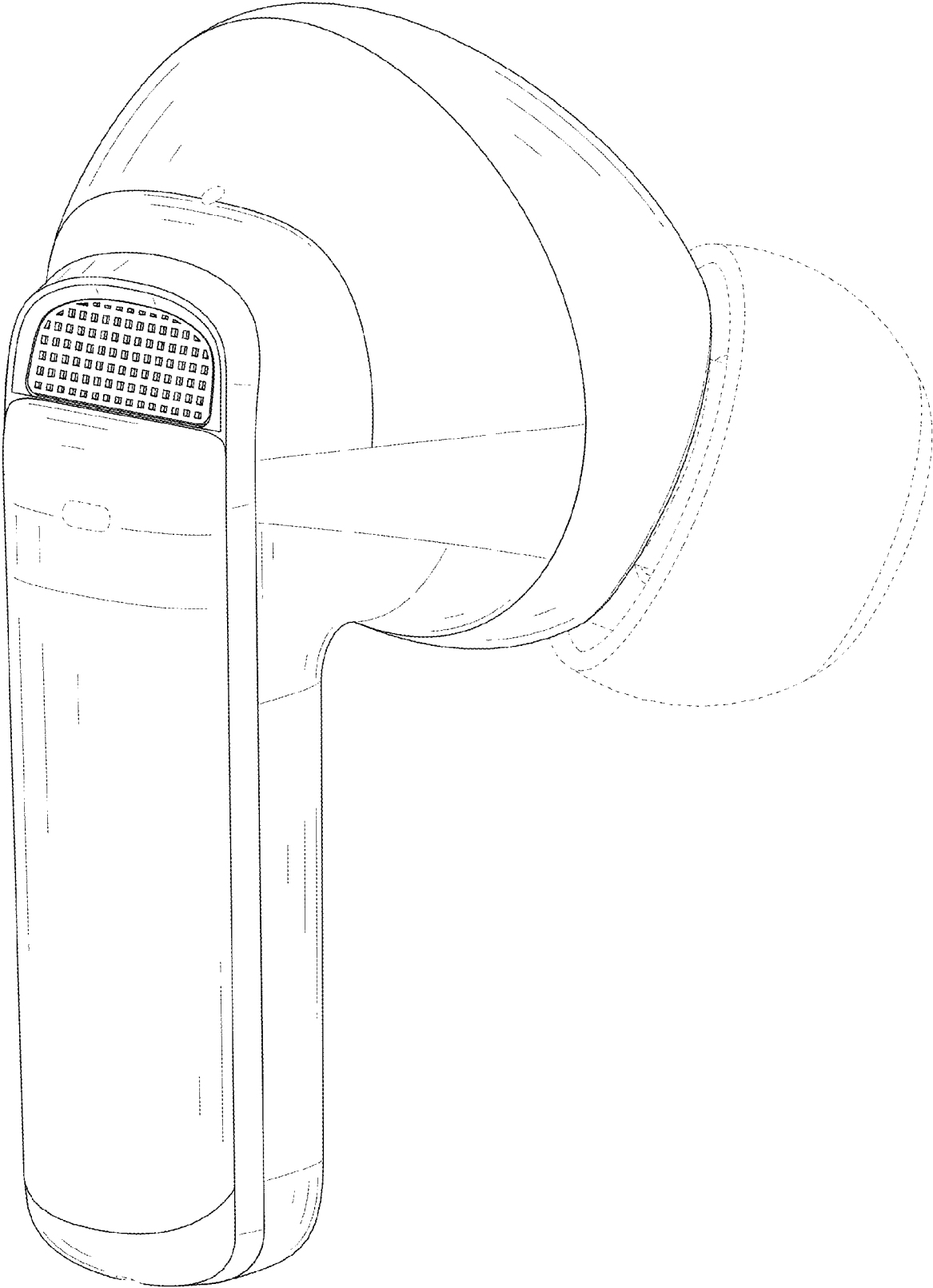


FIG. 1

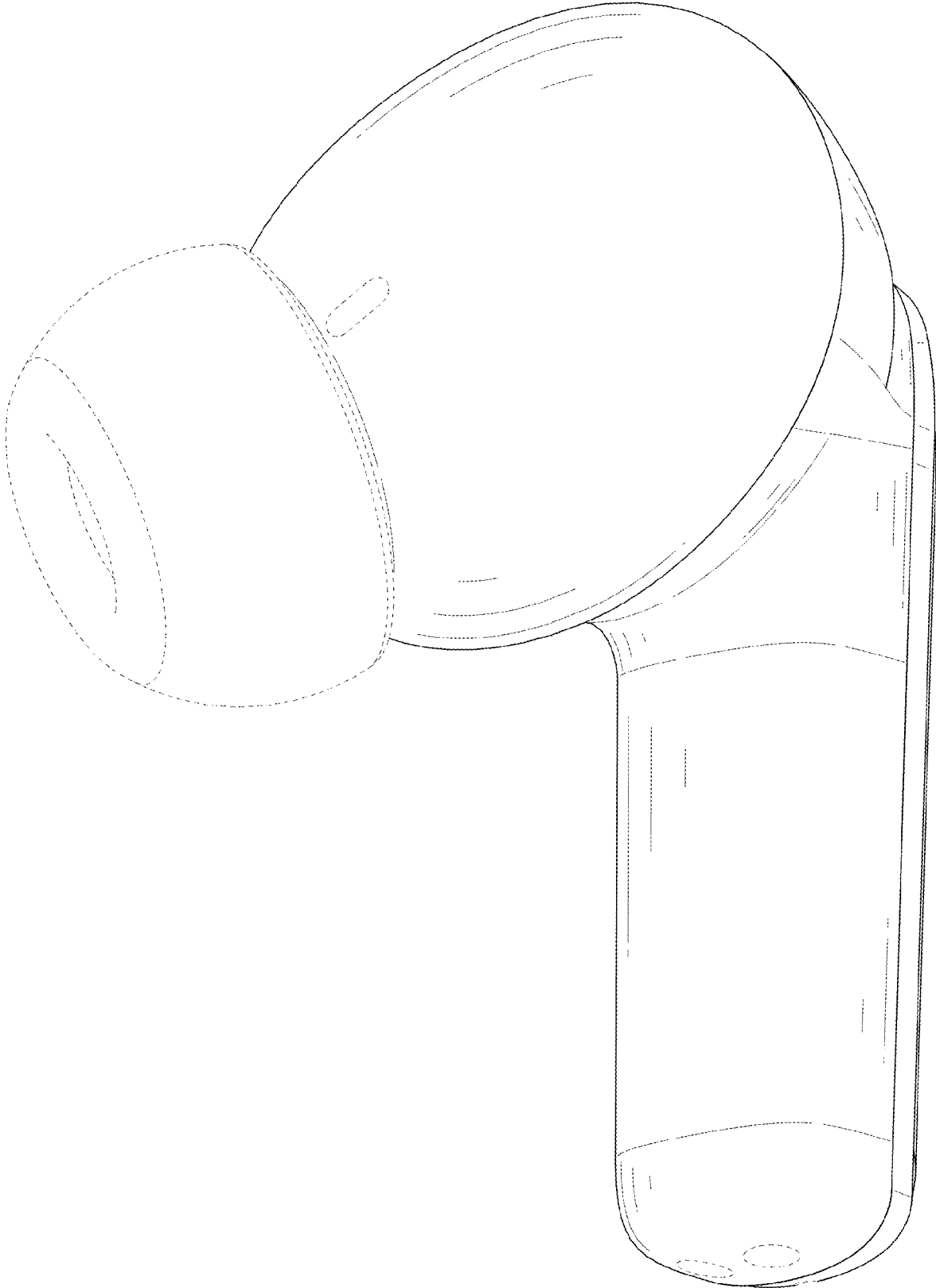


FIG. 2

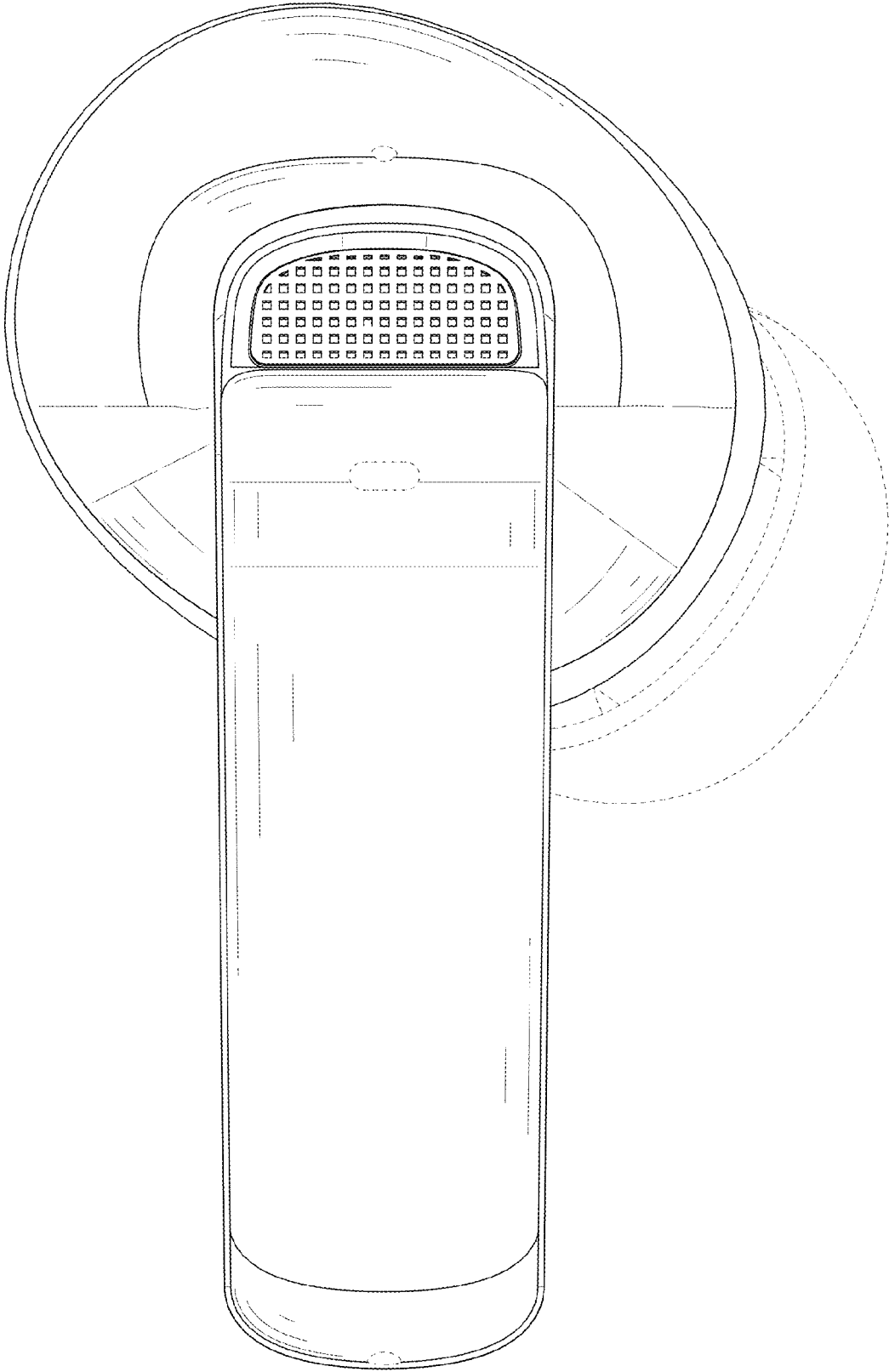


FIG. 3

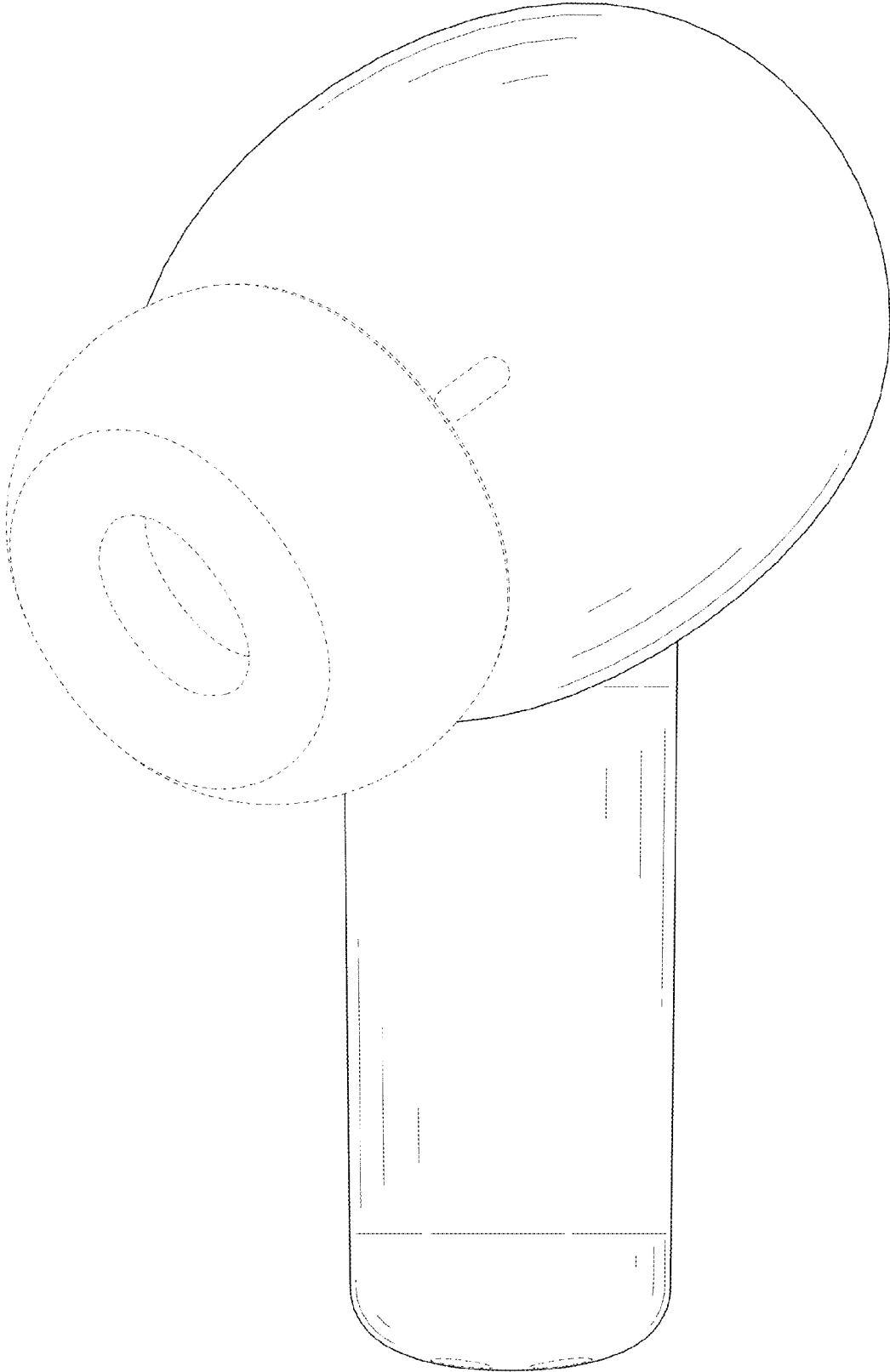


FIG. 4

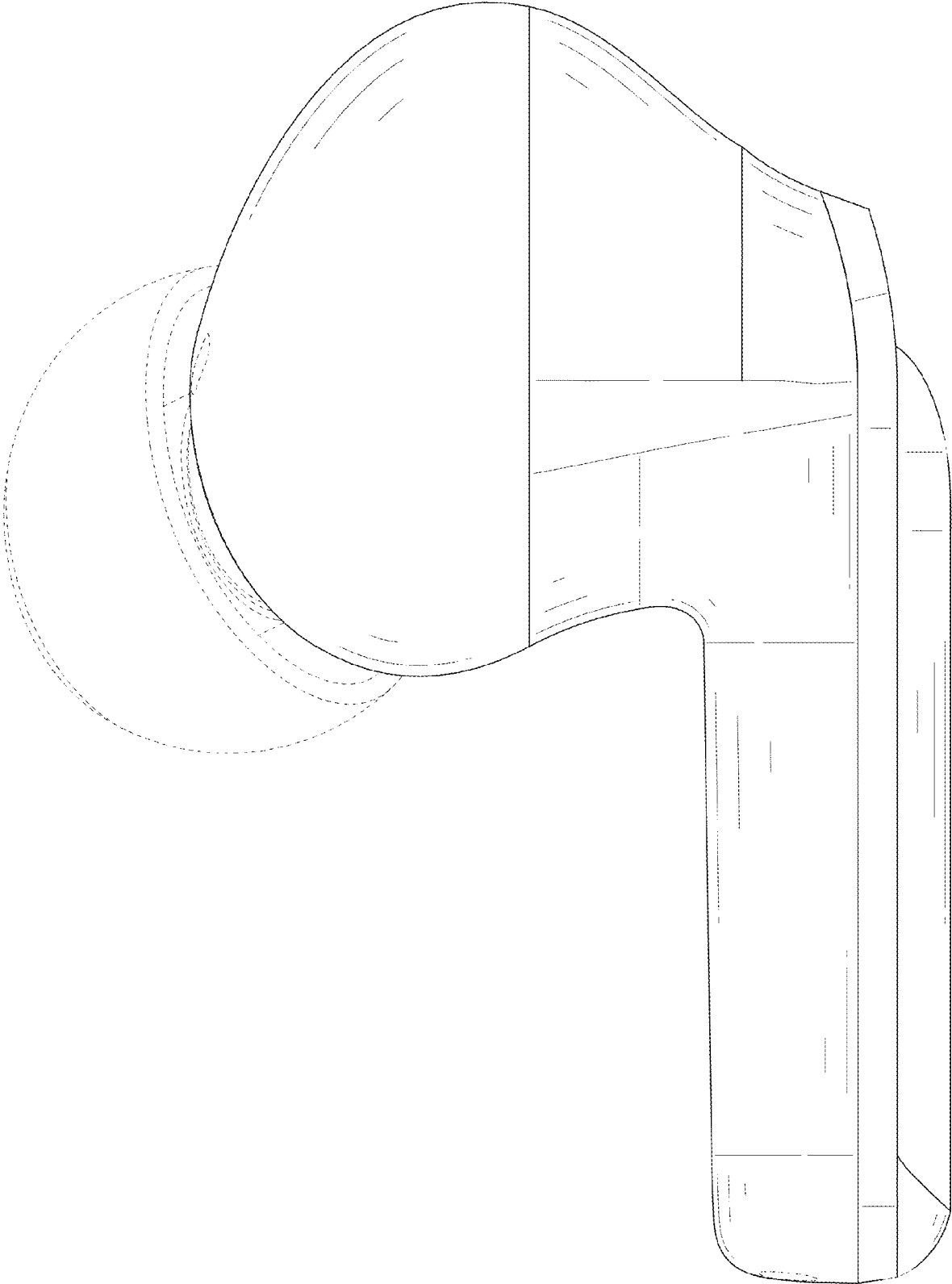


FIG. 5

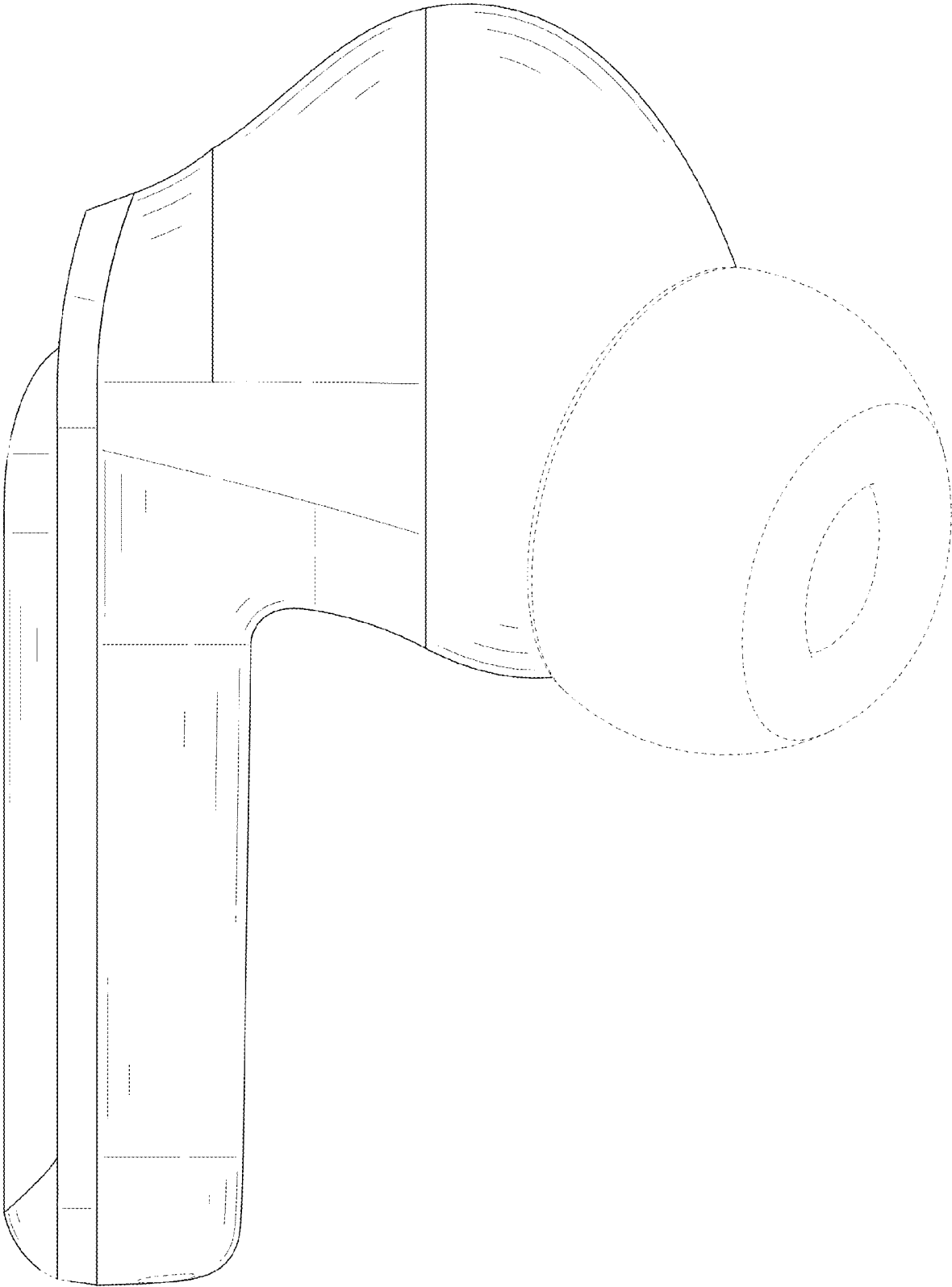


FIG. 6

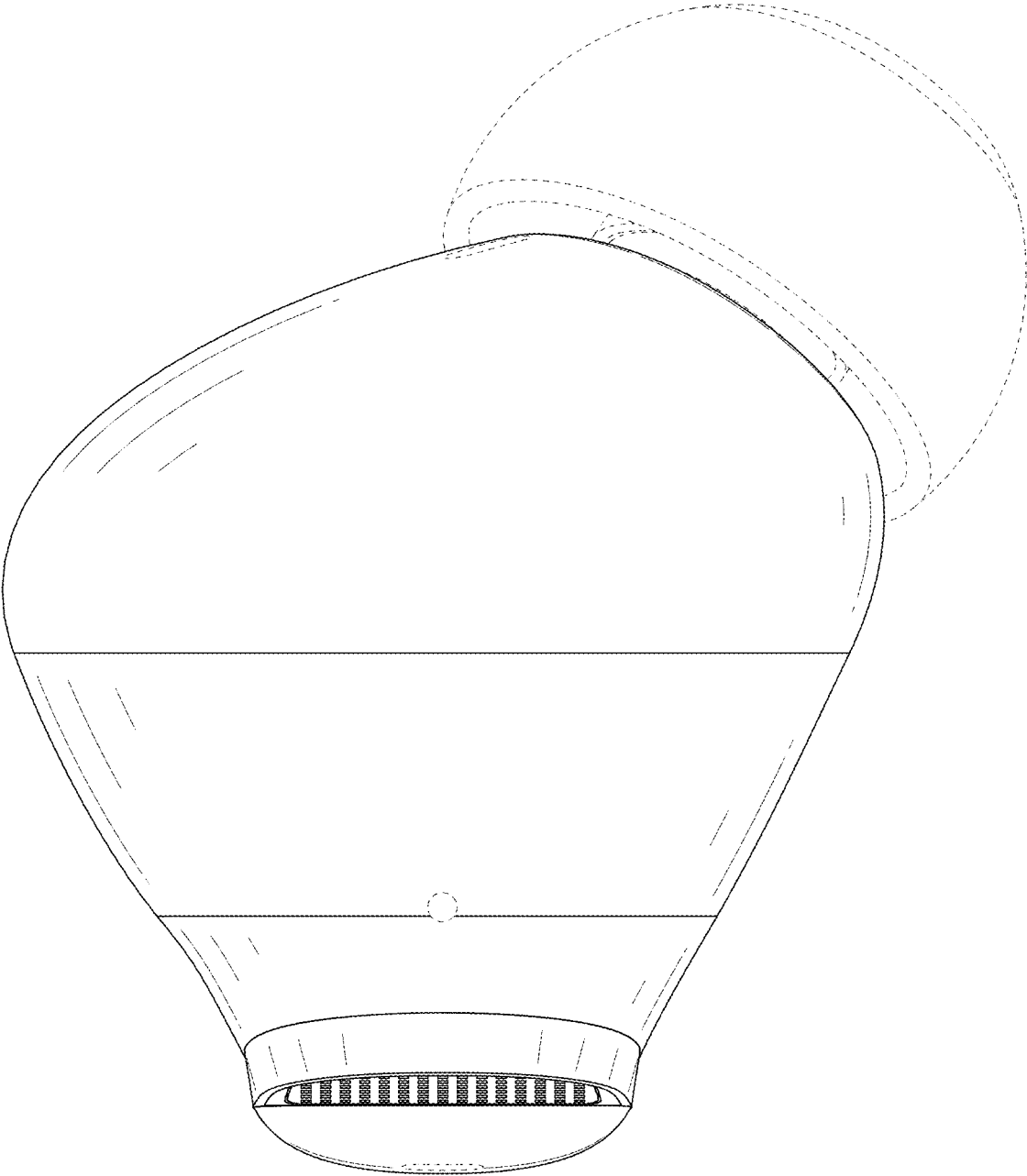


FIG. 7

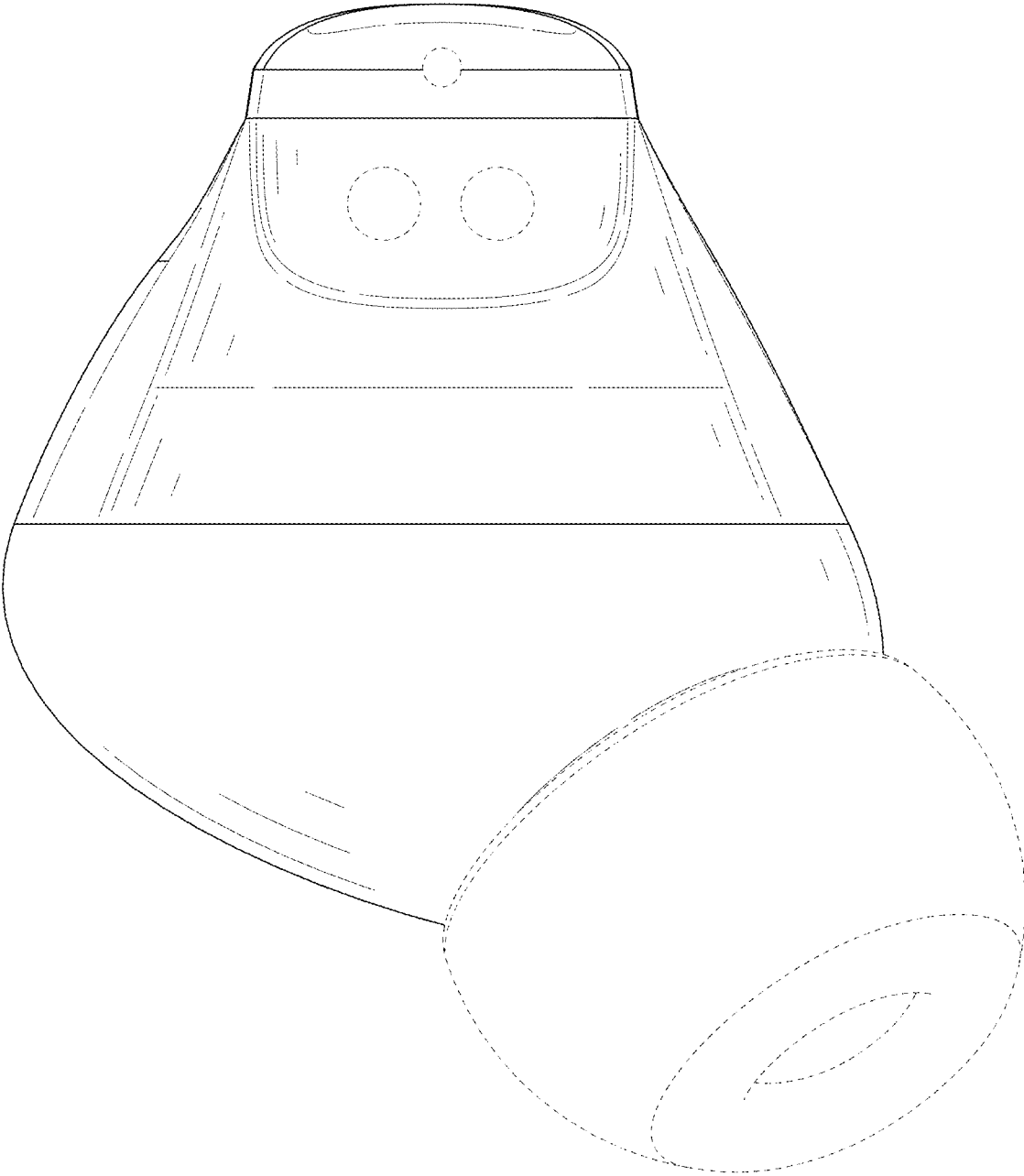


FIG. 8