



US00D798287S

(12) **United States Design Patent**
Wright et al.

(10) **Patent No.:** **US D798,287 S**

(45) **Date of Patent:** **** *Sep. 26, 2017**

(54) **PHONE CASE**
(71) Applicant: **CATALYST LIFESTYLE LIMITED,**
Hong Kong (CN)

3,800,525 A 4/1974 Bergey
3,992,874 A 11/1976 Collins
4,236,239 A 11/1980 Imgruth et al.
4,390,288 A 6/1983 Arnoux

(Continued)

(72) Inventors: **Joshua Wright,** Hong Kong (CN);
June Lai, Hong Kong (CN)

(73) Assignee: **CATALYST LIFESTYLE LIMITED,**
North Point, Hong Kong (CN)

(*) Notice: This patent is subject to a terminal disclaimer.

(**) Term: **15 Years**

(21) Appl. No.: **29/583,029**

(22) Filed: **Nov. 1, 2016**

(51) **LOC (10) Cl.** **14-03**

(52) **U.S. Cl.**
USPC **D14/250**

(58) **Field of Classification Search**
USPC D14/238.1, 440, 203.3–203.7, 217, 240,
D14/447, 250, 248, 251–253; D3/201,
D3/218, 247, 269, 273, 301, 303;
D13/103, 107–108, 119
CPC H04B 1/3888; H04M 1/0283; H04M
1/0202; A45C 1/06; A45C 2011/002;
A45C 11/00; A45C 13/02; A45F
2005/026; A45F 2200/0525; A45F
2200/0516

See application file for complete search history.

(56) **References Cited**

U.S. PATENT DOCUMENTS

1,195,299 A 8/1916 Watcher
1,205,217 A 11/1916 Kaufman
1,986,328 A 1/1935 Dreyfus
2,136,625 A 11/1938 Lasko
2,392,787 A 1/1946 Vermot
D157,606 S 3/1950 Lachman
3,789,601 A 2/1974 Bergey

OTHER PUBLICATIONS

Review: Catalyst Introduces Waterproof Cases for iPhone 7 and Apple Watch 2, published Nov. 16, 2016, URL: <http://beantownreview.com/catalyst-waterproof-case-iphone-7-apple-watch/>, retrieved from internet on Jul. 11, 2017.*

Primary Examiner — Carla Jobe Wright
(74) *Attorney, Agent, or Firm* — Dinsmore & Shohl LLP

(57) **CLAIM**

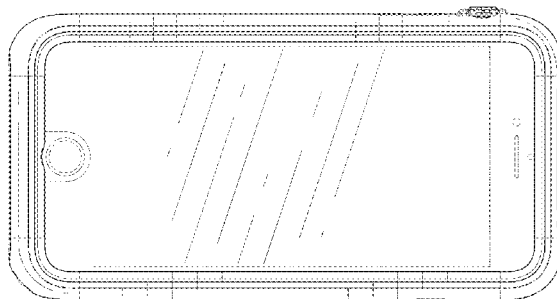
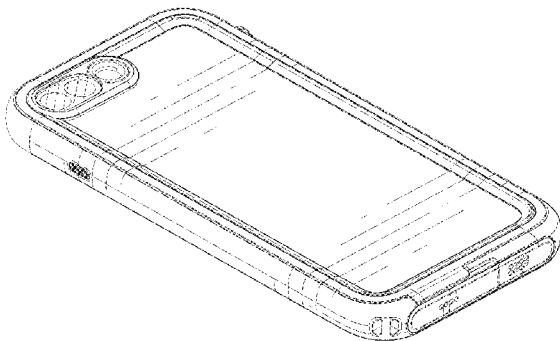
The ornamental design for a phone case, as shown and described.

DESCRIPTION

FIG. 1 is a top, rear, and right-side perspective view of a phone case showing our new design;
FIG. 2 is a top, front, and left-side perspective view of the phone case of FIG. 1;
FIG. 3 is a bottom, rear, and left-side perspective view of the phone case of FIG. 1;
FIG. 4 is a bottom, front, and right-side perspective view of the phone case of FIG. 1;
FIG. 5 is a top plan view of the phone case of FIG. 1;
FIG. 6 is a bottom plan view of the phone case of FIG. 1;
FIG. 7 is a left-side elevation view of the phone case of FIG. 1;
FIG. 8 is a right-side elevation view of the phone case of FIG. 1;
FIG. 9 is a front elevation view of the phone case of FIG. 1; and,
FIG. 10 is a rear elevation view of the phone case of FIG. 1.

The broken lines in FIGS. 1-2 and 5 depict an environmental phone that forms no part of the claimed design.

1 Claim, 4 Drawing Sheets



(56)

References Cited

U.S. PATENT DOCUMENTS

D278,685 S	5/1985	Suzuki et al.	D727,194 S	4/2015	Wilson	
D279,081 S	6/1985	Suzuki et al.	9,007,758 B2	4/2015	Wilson et al.	
D283,014 S	3/1986	Suzuki et al.	D729,218 S	5/2015	Wilson et al.	
D290,234 S	6/1987	Komatsu	D737,159 S	8/2015	Akana et al.	
D293,417 S	12/1987	Sakamaki	9,101,184 B2	8/2015	Wilson	
D341,092 S	11/1993	Wild	D739,768 S	9/2015	Hanshew et al.	
D351,799 S	10/1994	Bulgari	D740,798 S *	10/2015	Poon	D14/250
5,477,508 A	12/1995	Will	D741,726 S	10/2015	Akana et al.	
D386,094 S	11/1997	Ventrella	D742,254 S	11/2015	Greusel et al.	
D465,163 S	11/2002	Bodino	D742,761 S	11/2015	Grazian et al.	
D507,975 S	8/2005	Dreyfuss	D744,356 S	12/2015	Akana et al.	
D517,430 S	3/2006	TerMeer et al.	D745,421 S	12/2015	Akana et al.	
D528,440 S	9/2006	Lovegrove	9,223,346 B2	12/2015	Wilson	
D528,441 S	9/2006	Burton	D746,707 S	1/2016	Akana et al.	
D528,928 S	9/2006	Burton	9,264,089 B2 *	2/2016	Tages	H04M 1/185
D539,671 S	4/2007	Lassigne	D751,067 S	3/2016	Nousiainen	
D564,367 S	3/2008	Molyneux	D751,550 S	3/2016	Solomon et al.	
D603,827 S	11/2009	Tompkin et al.	D751,558 S	3/2016	Lee	
D638,312 S	5/2011	Jacobs	D752,044 S	3/2016	Akana et al.	
D638,324 S	5/2011	Tang	D752,579 S	3/2016	Lee	
7,946,758 B2	5/2011	Mooring	9,301,414 B2 *	3/2016	Chao	H05K 5/065
D645,031 S	9/2011	Richardson et al.	D752,996 S	4/2016	Ebersold	
D657,262 S	4/2012	Pulli	D756,357 S	5/2016	Akana et al.	
D666,924 S	9/2012	Ahlstrom	D757,702 S *	5/2016	Kanazawa	D14/250
D672,255 S	12/2012	Zanella et al.	D757,703 S *	5/2016	Kanazawa	D14/250
D672,265 S	12/2012	Pulli	D759,641 S *	6/2016	Lai	D14/250
D673,477 S	1/2013	Szellos	D759,644 S *	6/2016	Penn	D14/250
8,345,412 B2	1/2013	Maravilla et al.	D759,645 S *	6/2016	Penn	D14/250
D677,251 S *	3/2013	Melanson	D759,725 S	6/2016	Akana et al.	
D683,338 S	5/2013	Wilson et al.	D765,627 S *	9/2016	Watt	D14/250
D688,582 S	8/2013	Wilson	D765,629 S *	9/2016	Watt	D14/250
D688,967 S	9/2013	Wilson	D768,612 S *	10/2016	Wright	D14/250
D691,124 S *	10/2013	Yang	D772,855 S *	11/2016	Ju	D14/250
D692,419 S *	10/2013	Rayner	D777,715 S *	1/2017	Sawaya	D14/250
D693,251 S	11/2013	Anderssen et al.	2012/0073093 A1	3/2012	Szellos	
D693,801 S *	11/2013	Rayner	2012/0118773 A1 *	5/2012	Rayner	G06F 1/1626 206/320
D697,504 S *	1/2014	Yang	2013/0001263 A1	1/2013	Kai	
D703,652 S *	4/2014	Melanson	2014/0048574 A1 *	2/2014	Kimble	A45F 5/00 224/257
D709,057 S	7/2014	Wilson et al.	2014/0339104 A1 *	11/2014	Magness	A45C 11/00 206/37
D709,059 S *	7/2014	Kim	2014/0356495 A1	12/2014	Teuscher	
8,787,009 B2	7/2014	Wilson et al.	2015/0068935 A1 *	3/2015	Kay	A45C 13/36 206/320
D714,771 S *	10/2014	Rayner	2015/0189963 A1 *	7/2015	Lai	A45C 13/008 224/191
D716,786 S	11/2014	Wilson et al.				
D717,678 S	11/2014	Anderssen et al.				
8,967,437 B2	3/2015	Wilson				

* cited by examiner

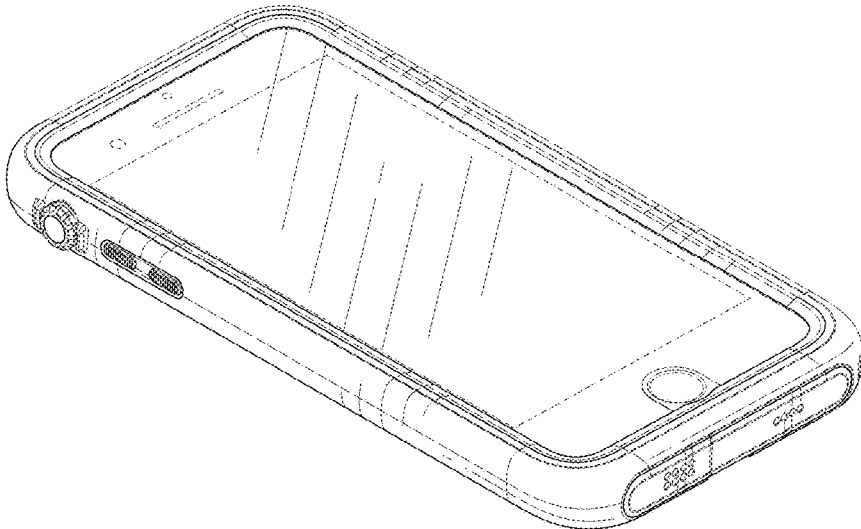


FIG. 1

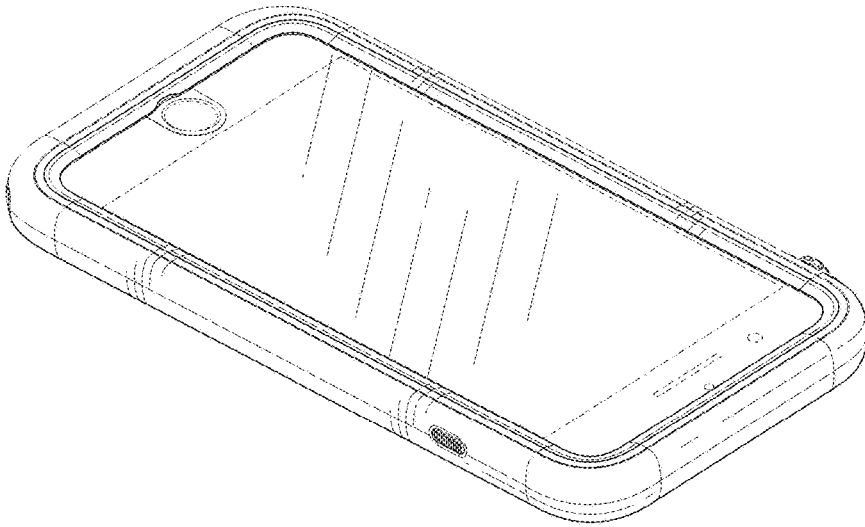


FIG. 2

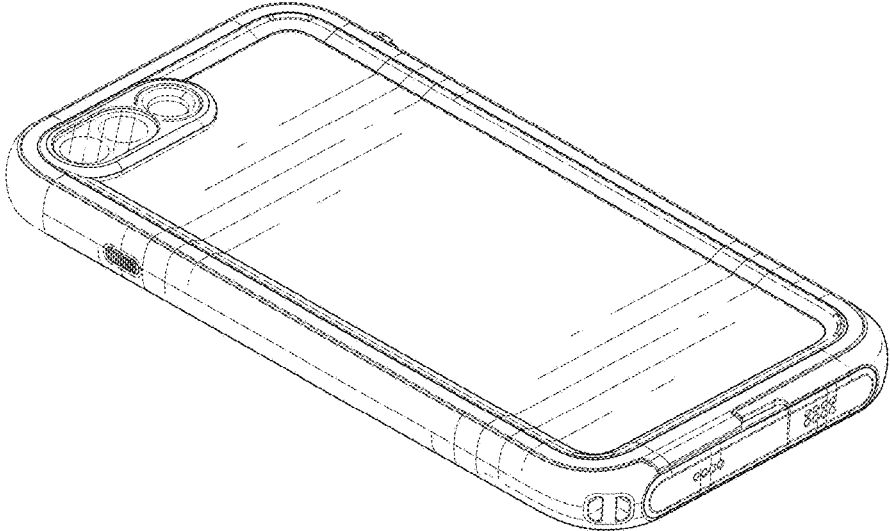


FIG. 3

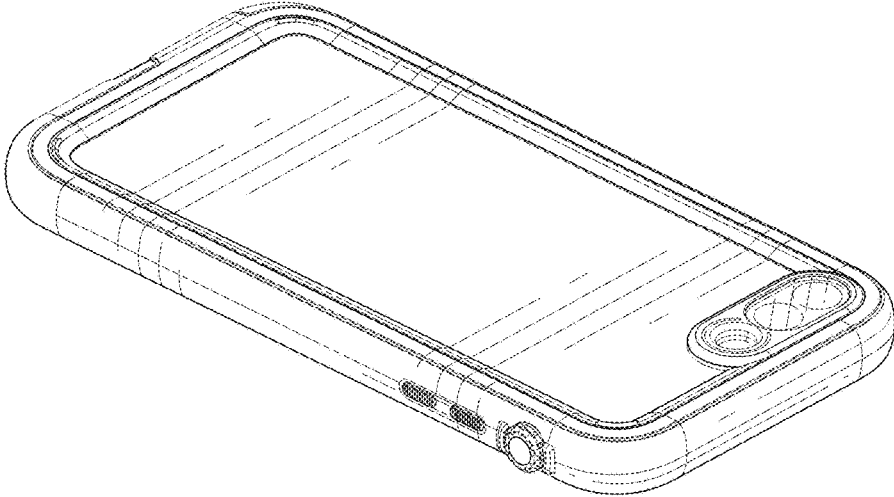


FIG. 4

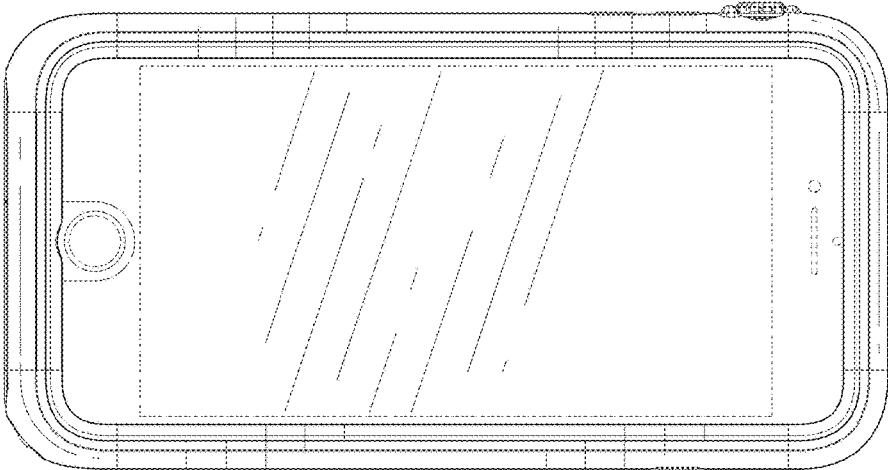


FIG.5

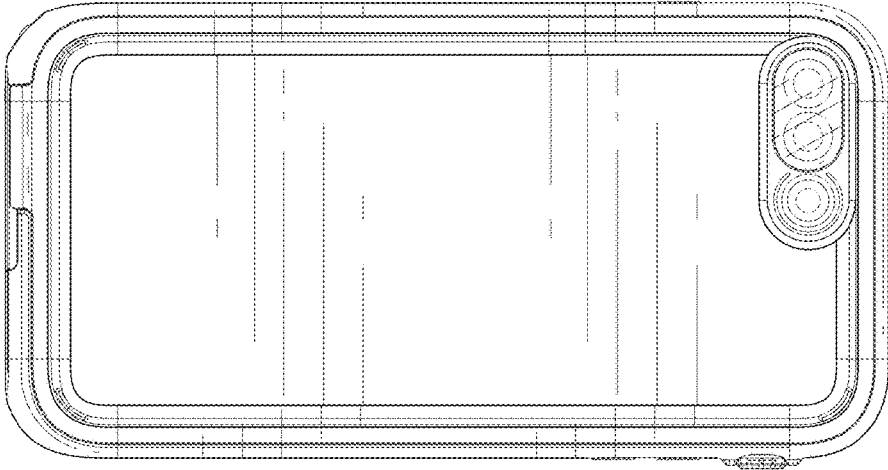


FIG.6



FIG. 7

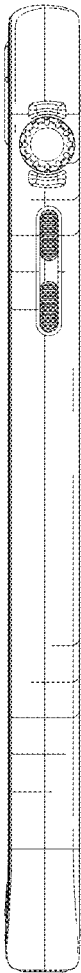


FIG. 8



FIG. 9

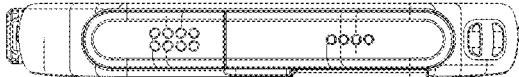


FIG. 10